



US00D488131S

(12) **United States Design Patent**
Kato et al.

(10) **Patent No.:** **US D488,131 S**

(45) **Date of Patent:** **** Apr. 6, 2004**

(54) **THIN COAXIAL MULTI-WIRE UNIT WITH A GROUND BAR**

D448,005 S * 9/2001 Klein, Jr. et al. D13/123

* cited by examiner

(75) Inventors: **Nobukazu Kato**, Fussa (JP); **Hitoshi Amemiya**, Saitama (JP); **Masayuki Kikuchi**, Oume (JP)

Primary Examiner—Joel Sincavage

(74) *Attorney, Agent, or Firm*—Michael Best & Friedrich LLC

(73) Assignee: **Japan Aviation Electronics Industry, Limited**, Tokyo (JP)

(57) **CLAIM**

(**) Term: **14 Years**

The ornamental design for a thin coaxial multi-wire unit with a ground bar, as shown and described.

(21) Appl. No.: **29/159,865**

DESCRIPTION

(22) Filed: **Apr. 29, 2002**

FIG. 1 is a front elevational view of a thin coaxial multi-wire unit with a ground bar;

(51) **LOC (7) Cl.** **13-03**

FIG. 2 is a rear elevational view thereof;

(52) **U.S. Cl.** **D13/147**

FIG. 3 is a right side elevational view thereof;

(58) **Field of Search** D13/147; 439/623; 174/72 A, 72 C, 72 R

FIG. 4 is an enlarged cross-sectional view thereof along the line 4—4 of FIG. 1;

FIG. 5 is a top plan view thereof;

FIG. 6 is a bottom plan view thereof; and,

FIG. 7 is a perspective view of the front and right side thereof.

(56) **References Cited**

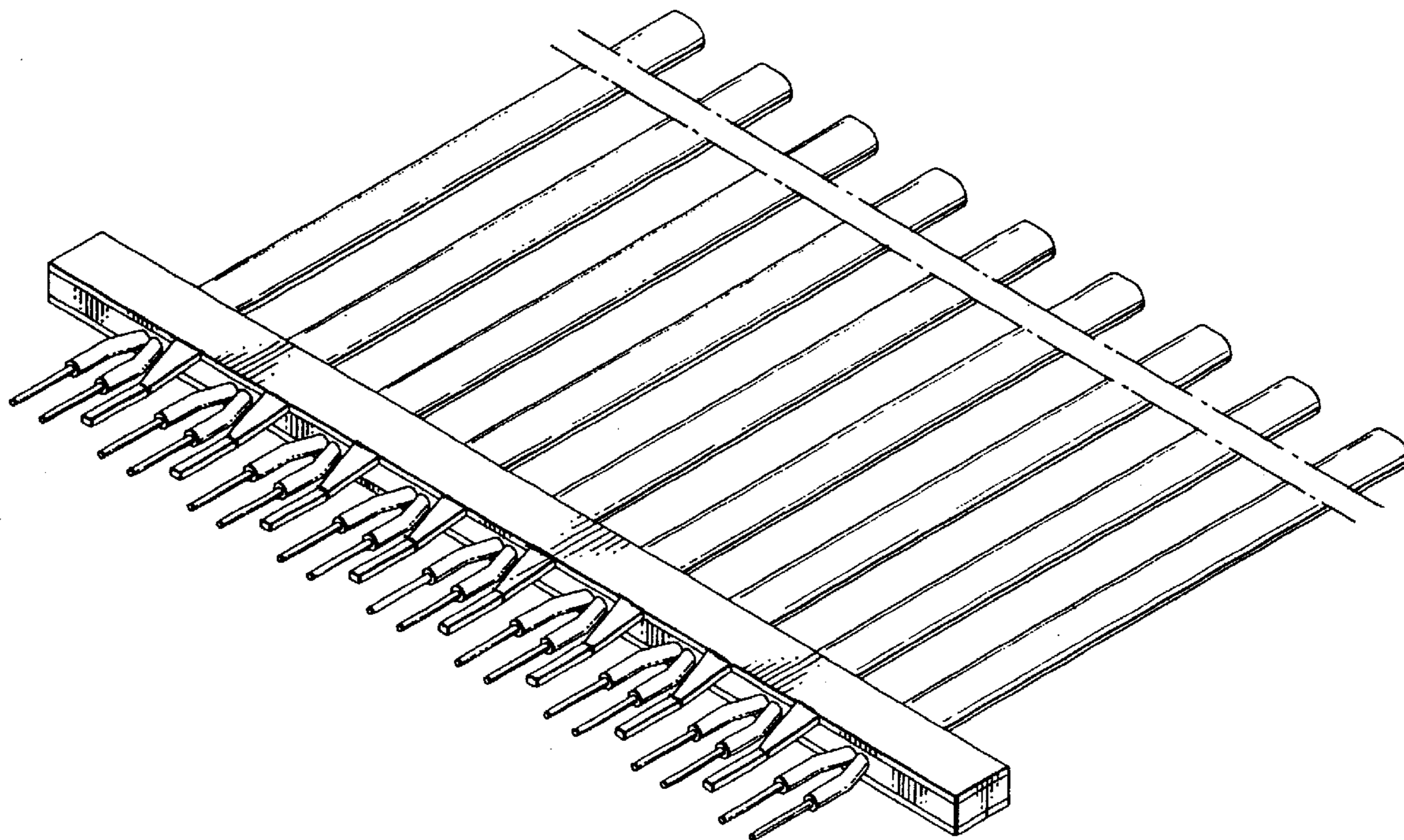
U.S. PATENT DOCUMENTS

323,964 A	*	8/1885	Rogers	172/72 R
D210,127 S	*	2/1968	Mixon	D13/147
D211,949 S	*	8/1968	Toedtman et al.	D13/147
D234,141 S	*	1/1975	McGrane	D13/147
4,300,284 A	*	11/1981	Reeder	29/860
4,874,908 A	*	10/1989	Johansson	8/68.1
5,203,720 A	*	4/1993	Zini	439/623 X
6,062,896 A	*	5/2000	Huang	439/405
6,139,363 A	*	10/2000	Ko et al.	439/579
6,274,815 B1	*	8/2001	Kawaguchi	174/72 A

A left side elevational view of the electrical connector is omitted because it is presented symmetrical to the right side elevational view of FIG. 3.

In the plan view, the unit actually has a lateral width of 2 cm and a longitudinal length of 30 cm or 60 cm. However, it is shown with an interrupted longitudinal length by dash-and-dot lines. A specific length for the unit forms no part of the claimed design.

1 Claim, 5 Drawing Sheets



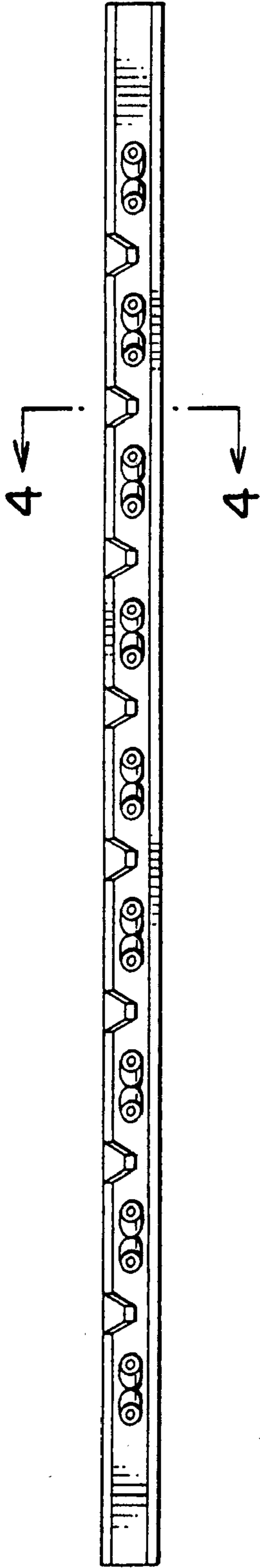


FIG. 1



FIG. 2

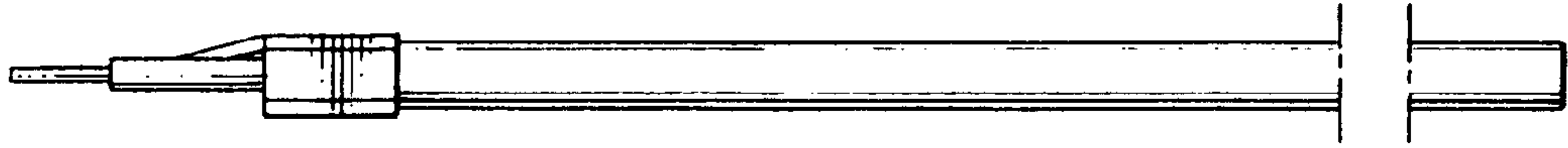


FIG. 3

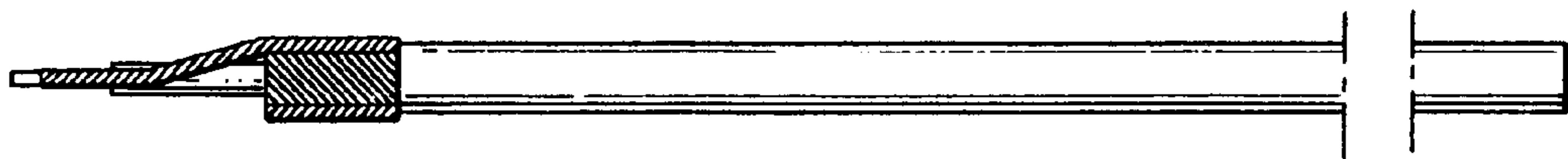


FIG. 4

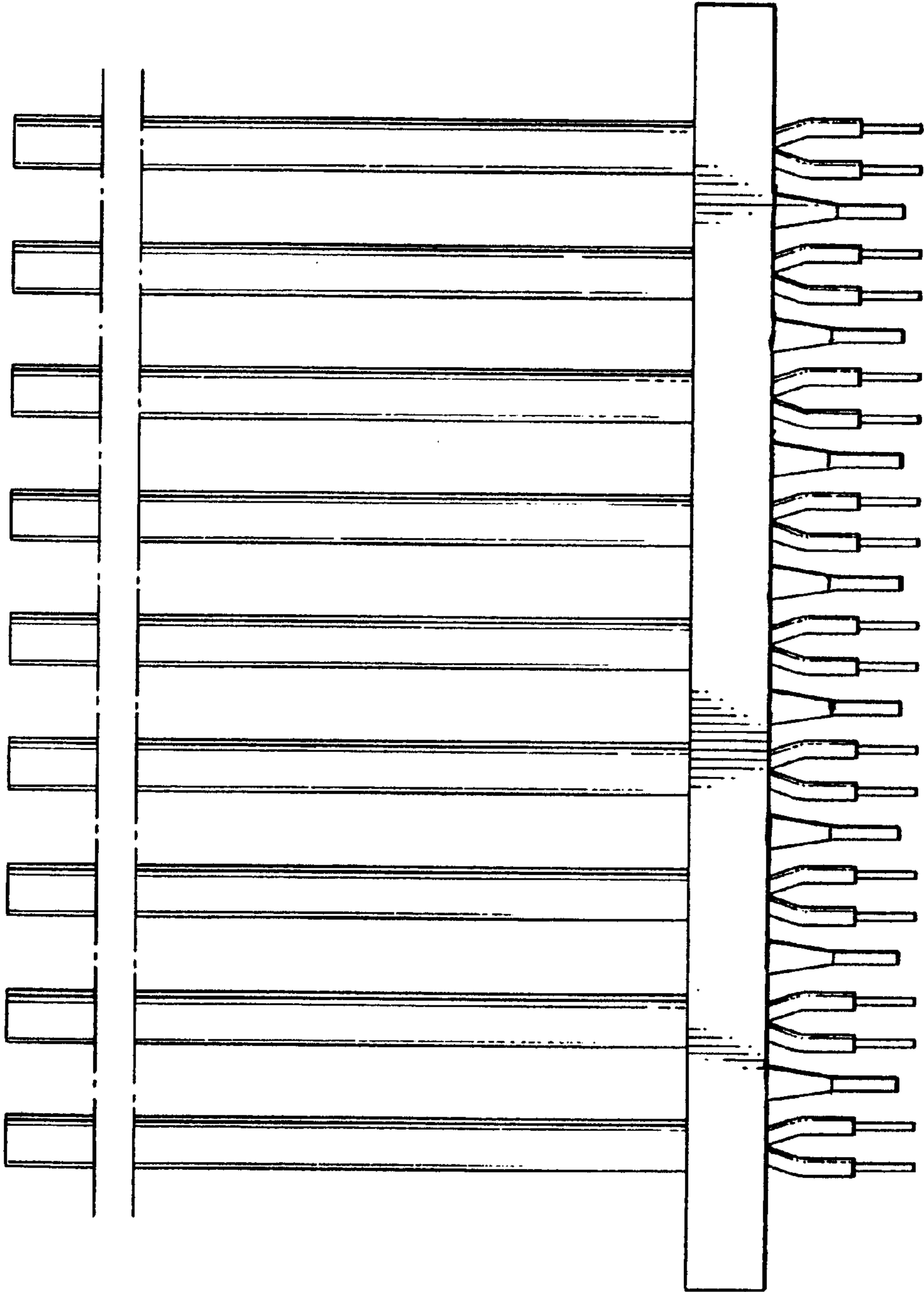


FIG. 5

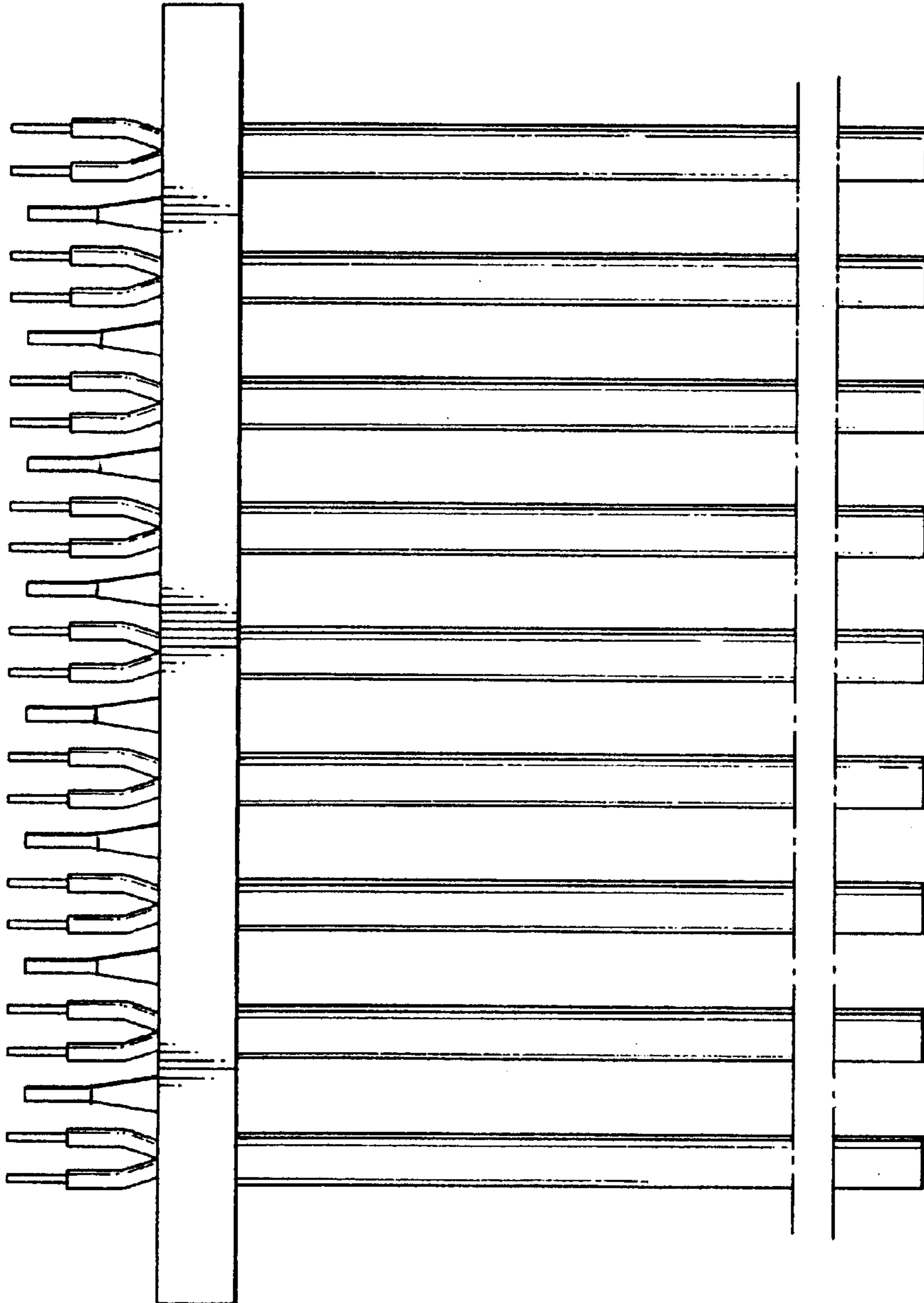


FIG. 6

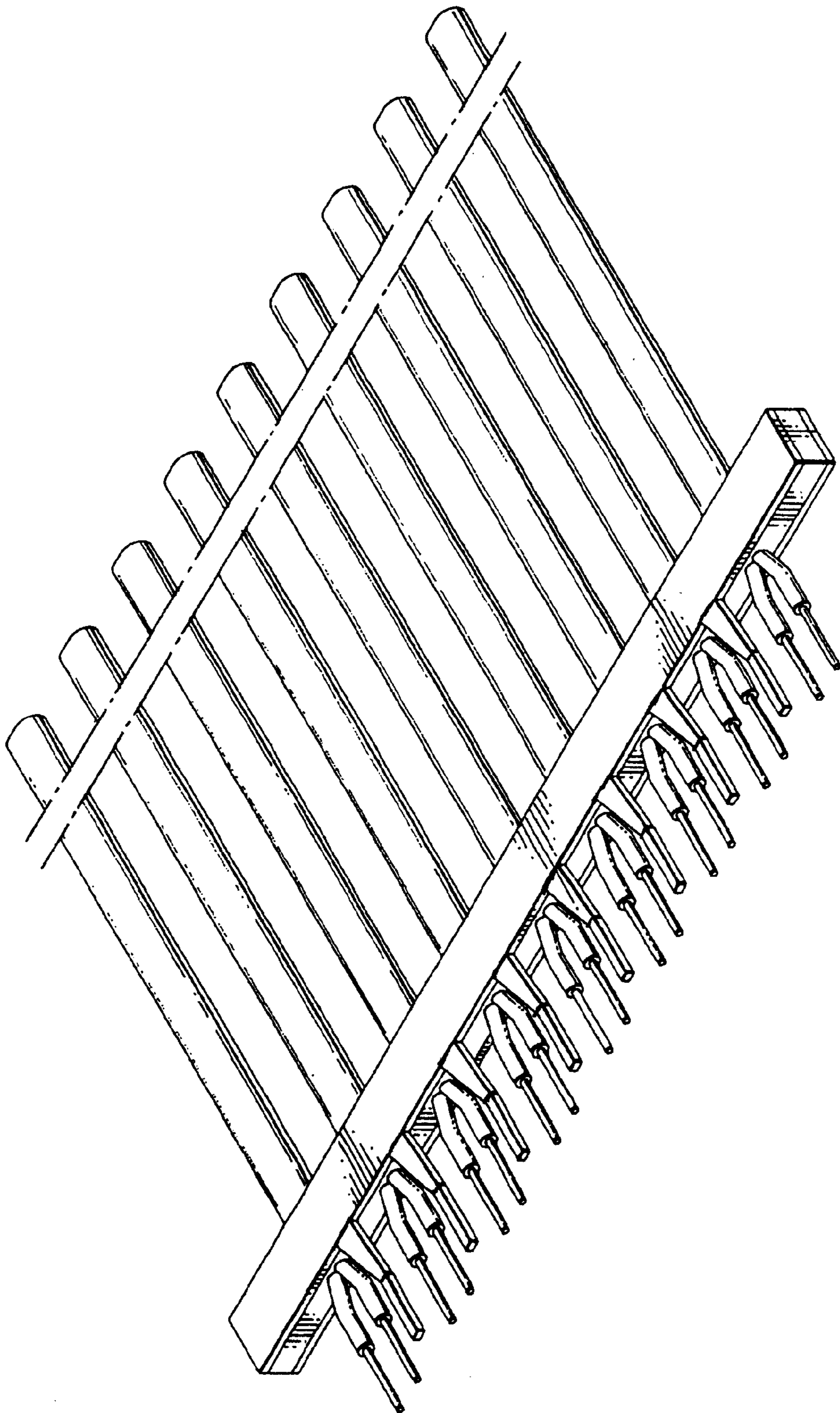


FIG. 7