



US00D488130S

(12) **United States Design Patent**
Hsiao

(10) **Patent No.:** **US D488,130 S**

(45) **Date of Patent:** **** Apr. 6, 2004**

(54) **ADAPTER**

(76) **Inventor:** **Feng-Shen Hsiao**, 10th Fl., No. 5, Sec. 1, Tun Hua S. Rd., Taipei (TW)

(**) **Term:** **14 Years**

(21) **Appl. No.:** **29/179,082**

(22) **Filed:** **Apr. 4, 2003**

(51) **LOC (7) Cl.** **13-03**

(52) **U.S. Cl.** **D13/145; D13/146**

(58) **Field of Search** **D13/145, 146;**
439/119, 300, 581, 628, 638

(56) **References Cited**

U.S. PATENT DOCUMENTS

2,666,907	A	*	1/1954	Hensley	439/119	X
D251,491	S	*	4/1979	Snyder, Jr. et al.	D13/146	
4,579,410	A	*	4/1986	Soloman	439/300	X
D319,625	S	*	9/1991	Nagasaka et al.	D13/146	
D378,290	S	*	3/1997	Hahn	D13/146	X
6,309,225	B2	*	10/2001	Kameyama	439/76.1	

D460,049	S	*	7/2002	McCoy	D13/147	
D472,523	S	*	4/2003	Hansen	D13/146	
2003/0036312	A1	*	2/2003	Liao	439/638	

* cited by examiner

Primary Examiner—Joel Sincavage

(74) *Attorney, Agent, or Firm*—William E. Pelton, Esq.

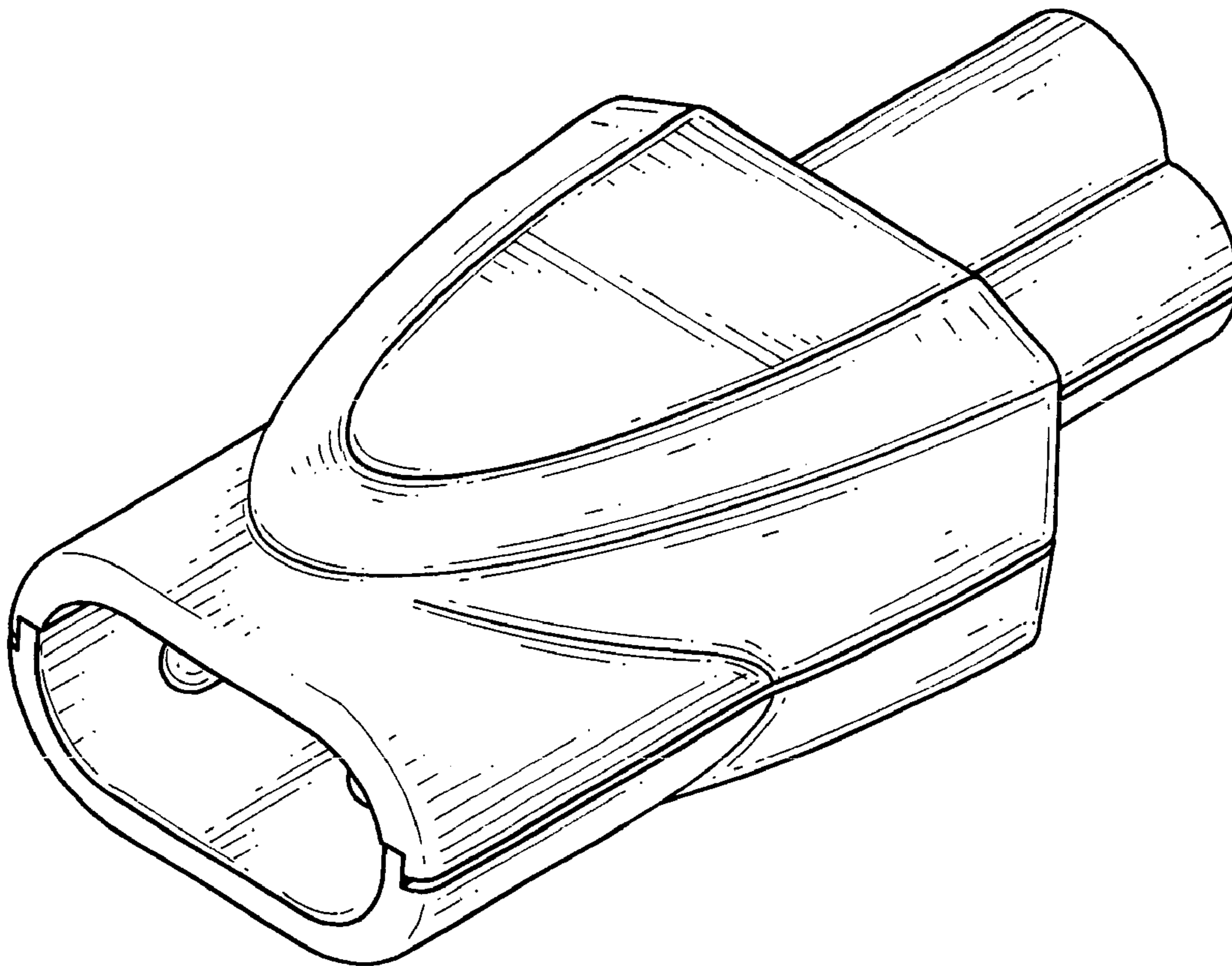
(57) **CLAIM**

The ornamental design for an adapter, as shown and described.

DESCRIPTION

FIG. 1 is a perspective view of an adapter, showing my new design;
 FIG. 2 is a front elevational view thereof;
 FIG. 3 is a rear elevational view thereof;
 FIG. 4 is a right elevational view thereof, wherein the left elevational view of the adapter is a mirror image of FIG. 4;
 FIG. 5 is a top plan view thereof; and,
 FIG. 6 is a bottom plan view thereof.

1 Claim, 3 Drawing Sheets



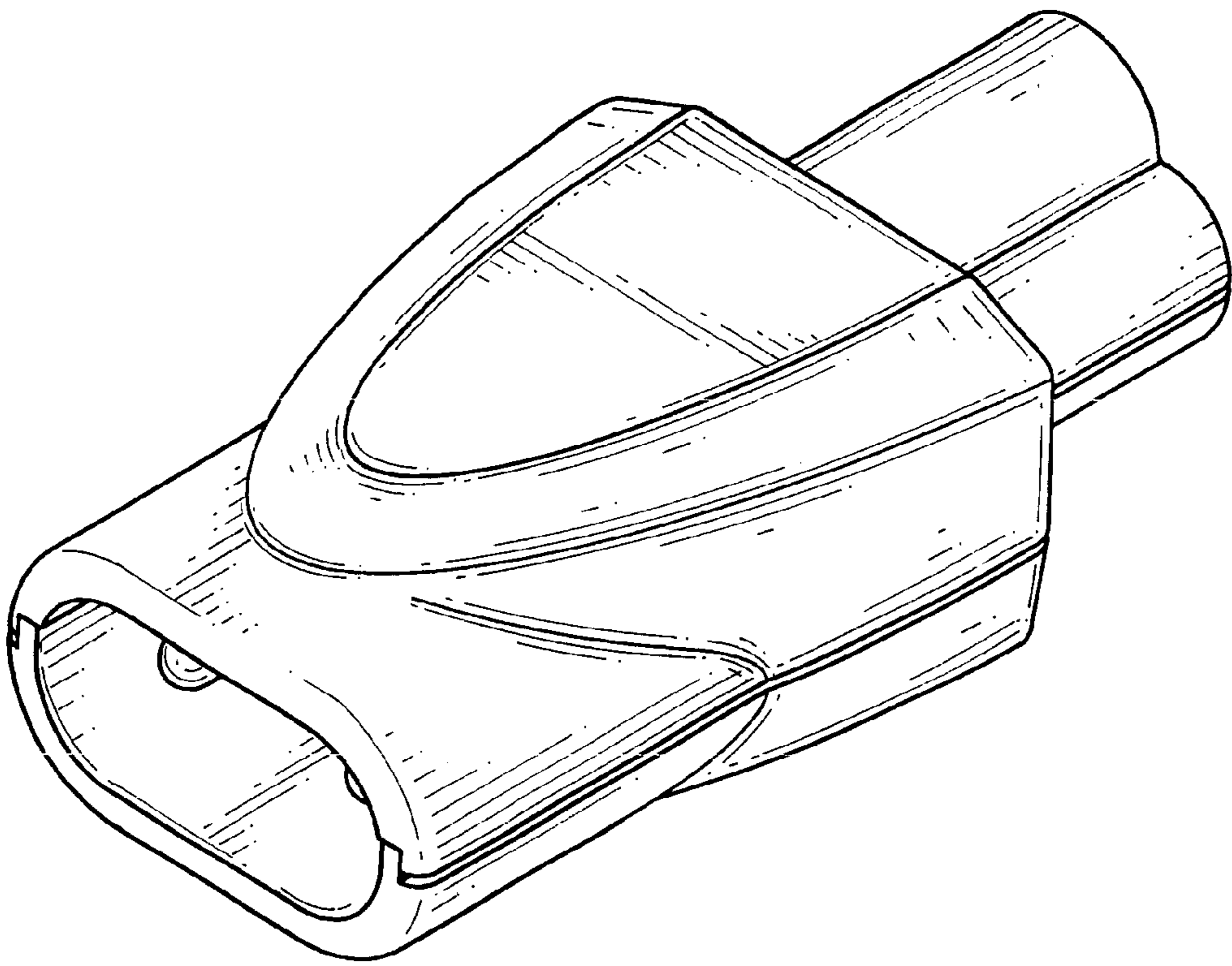


FIG.1

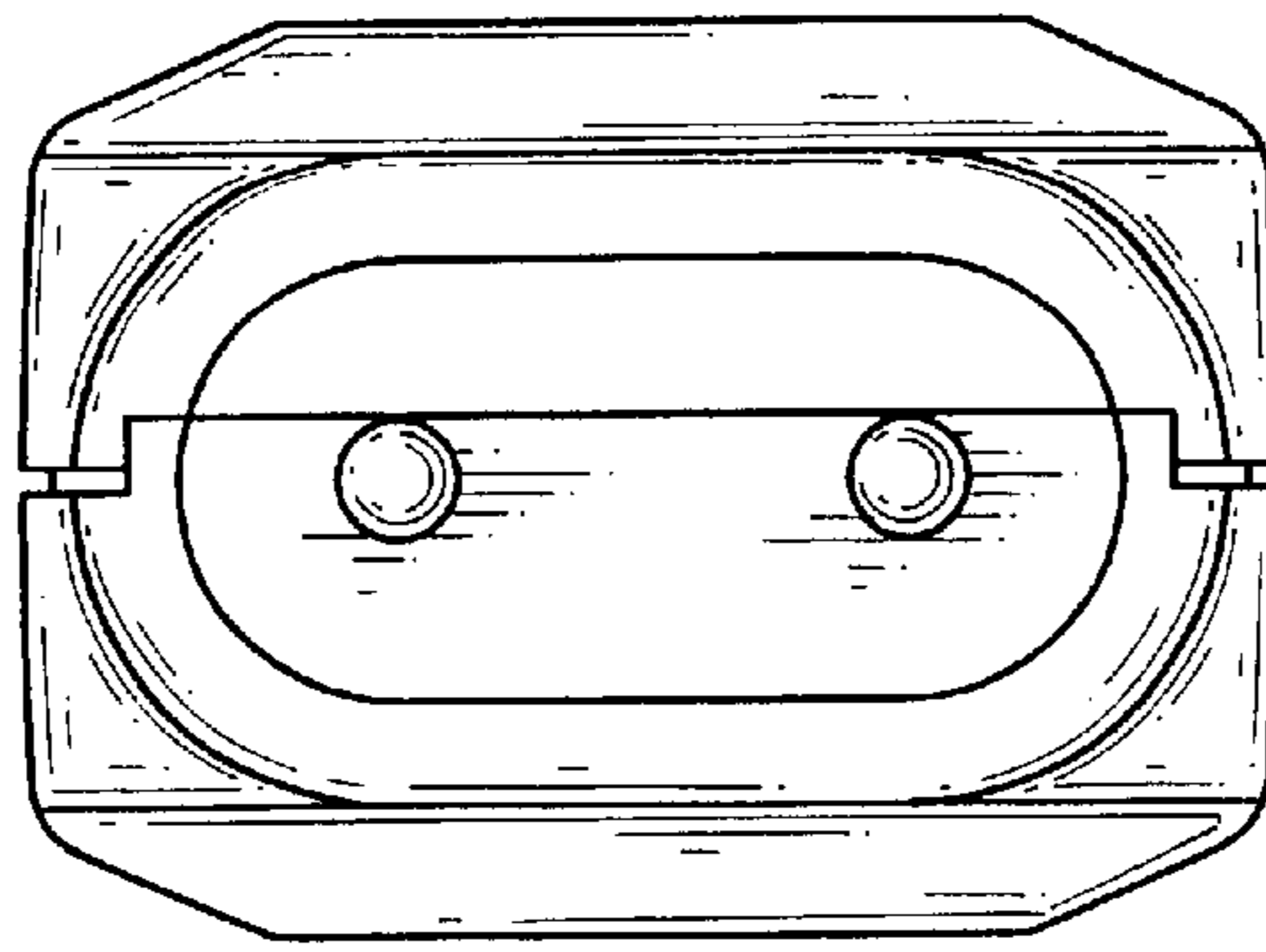


FIG. 2

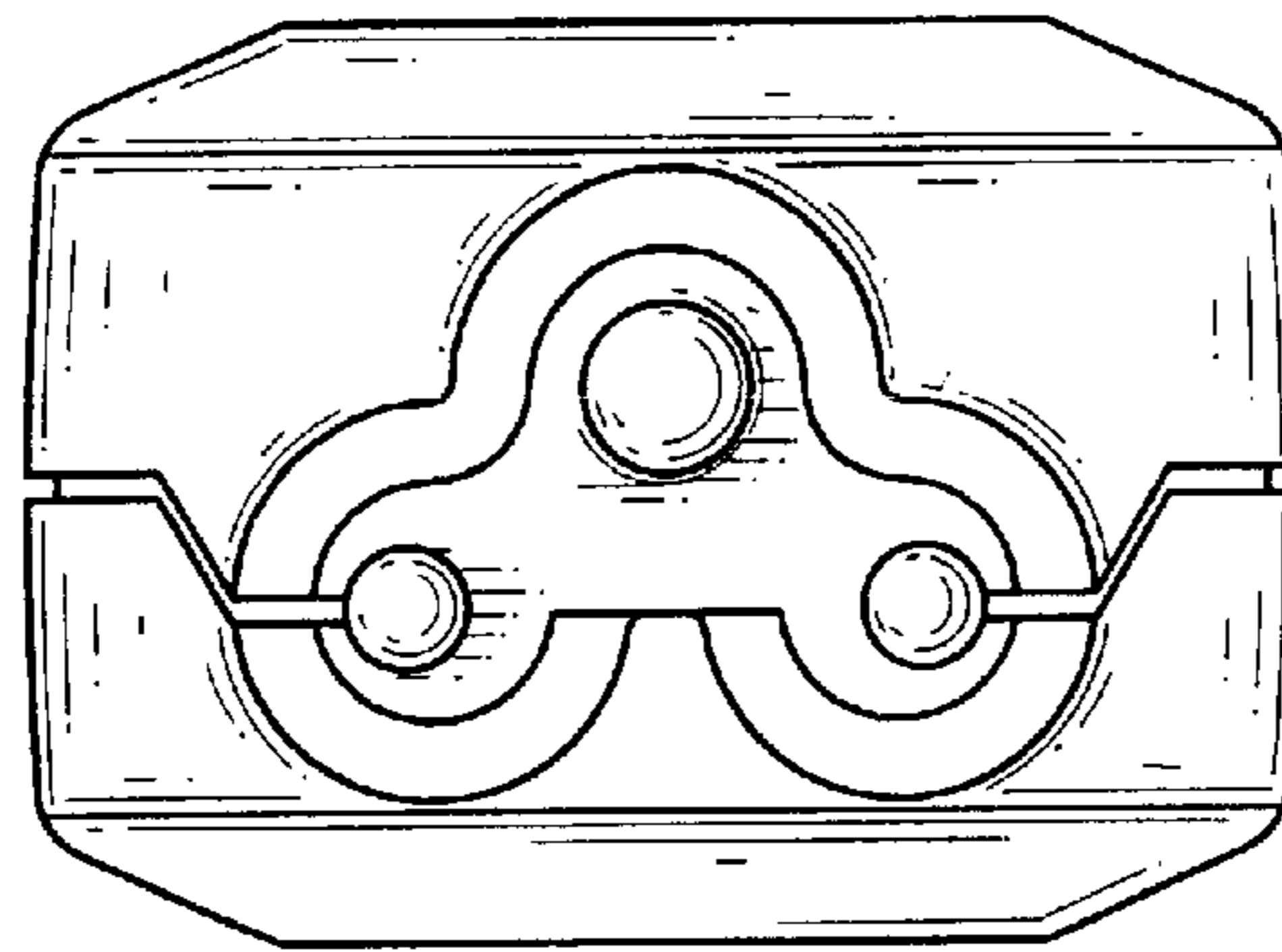


FIG. 3

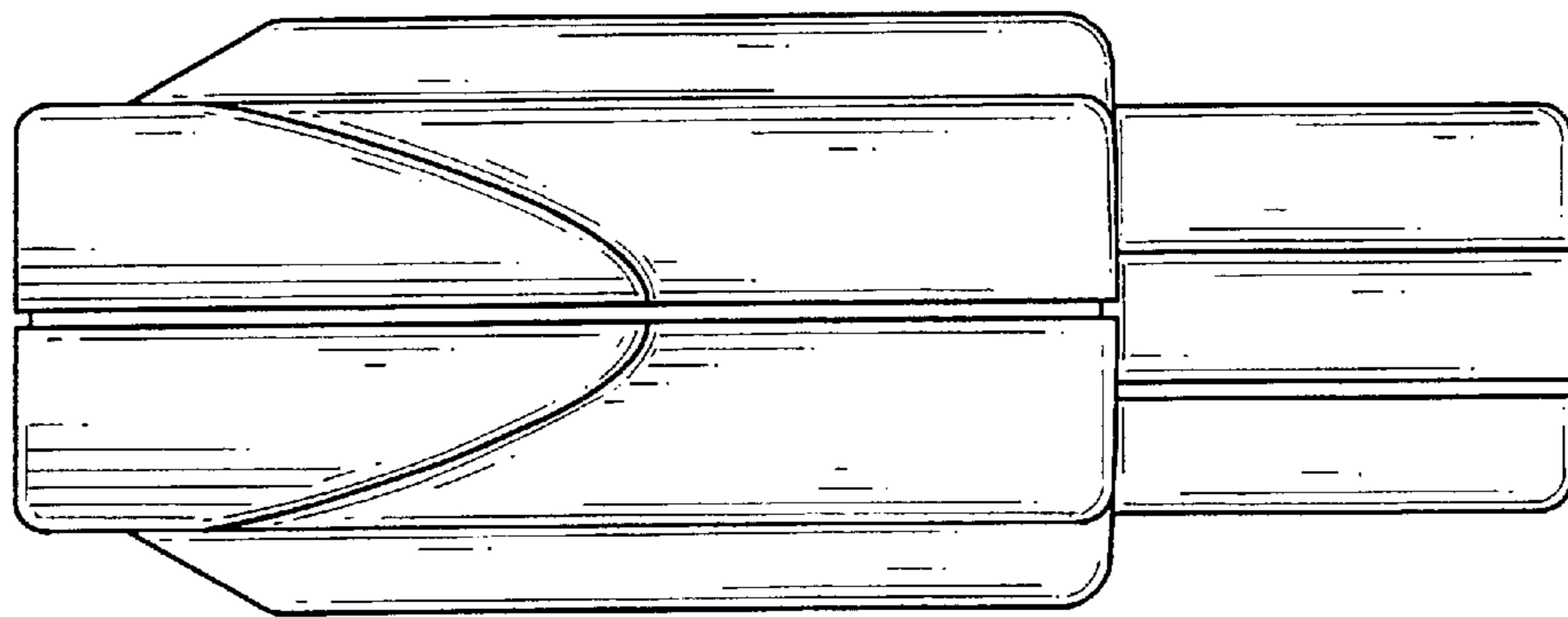


FIG. 4

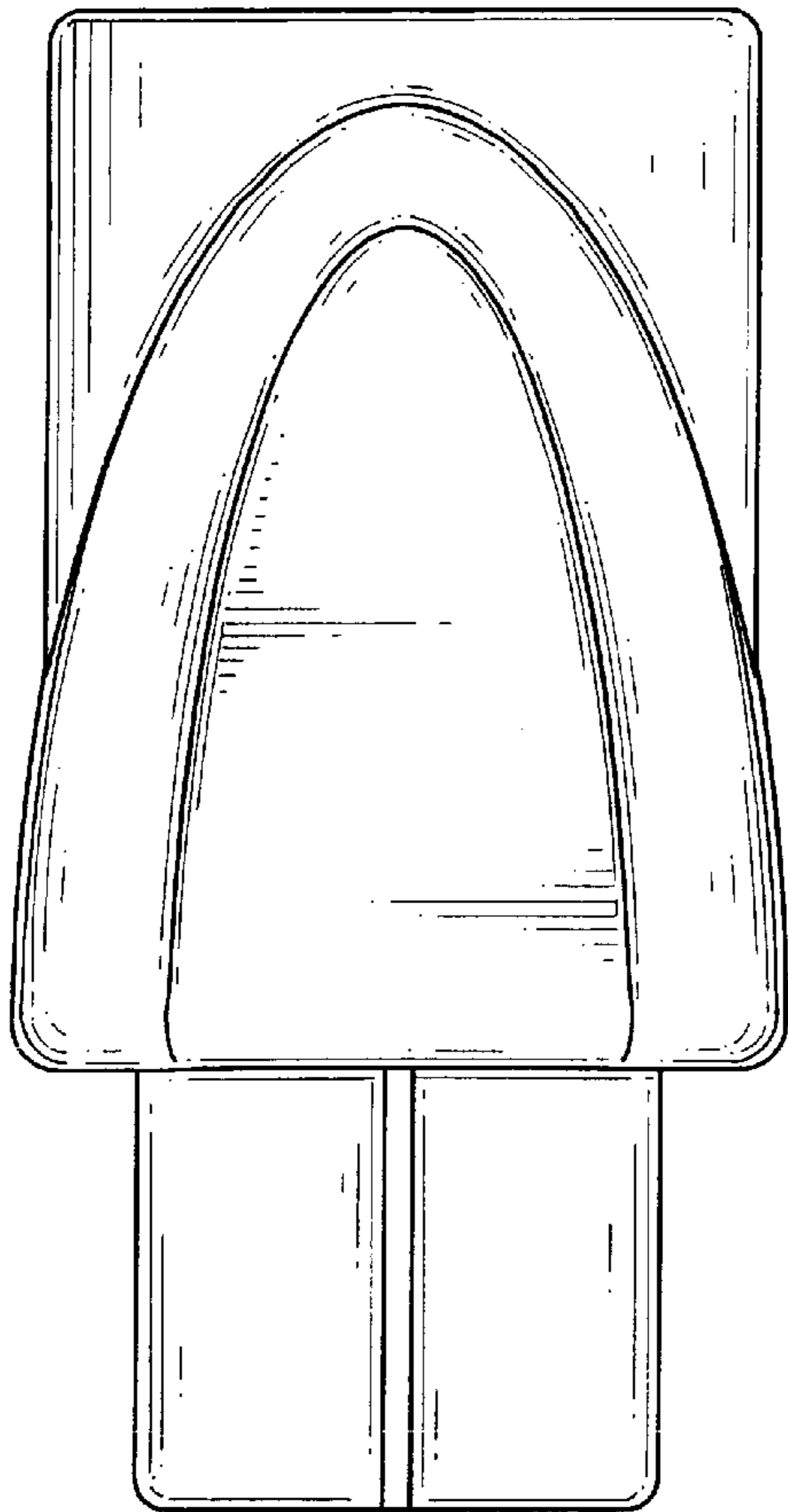


FIG.6

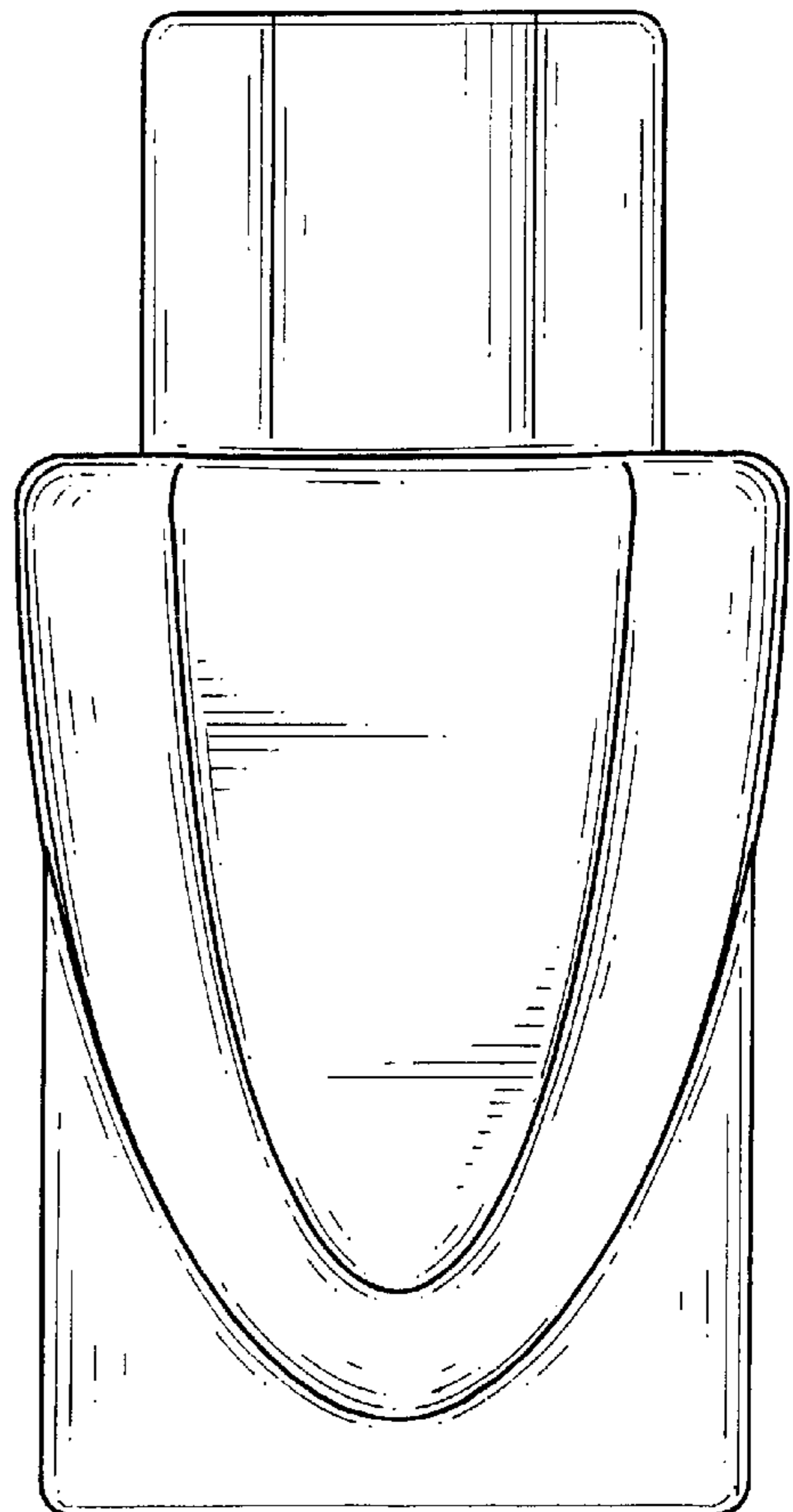


FIG.5