



US00D488127S

(12) **United States Design Patent**  
**Fan**

(10) **Patent No.:** **US D488,127 S**

(45) **Date of Patent:** **\*\* Apr. 6, 2004**

(54) **GENERATOR**

(76) Inventor: **Guo Xiang Fan**, 4951 Commerce Dr.,  
Baldwin Park, CA (US) 91706

(\*\*) Term: **14 Years**

(21) Appl. No.: **29/177,730**

(22) Filed: **Mar. 17, 2003**

(51) **LOC (7) Cl.** ..... **13-01**

(52) **U.S. Cl.** ..... **D13/112**

(58) **Field of Search** ..... D13/110, 112,  
D13/113, 114, 115, 116, 117, 118; 307/64,  
150; 361/679, 695, 725, 727, 728; 363/144

(56) **References Cited**

**U.S. PATENT DOCUMENTS**

|            |   |         |             |       |         |
|------------|---|---------|-------------|-------|---------|
| D181,459 S | * | 11/1957 | Bullock     | ..... | D13/116 |
| D201,327 S | * | 6/1965  | Hori et al. | ..... | D15/1   |
| D205,975 S | * | 10/1966 | Sato        | ..... | D15/1   |
| D294,015 S | * | 2/1988  | Gomi        | ..... | D13/114 |
| D414,461 S | * | 9/1999  | Wang        | ..... | D13/116 |

|            |   |         |             |       |         |
|------------|---|---------|-------------|-------|---------|
| D416,537 S | * | 11/1999 | Imai et al. | ..... | D13/116 |
| D453,139 S | * | 1/2002  | Yang        | ..... | D13/110 |
| D475,726 S | * | 6/2003  | Suga et al. | ..... | D15/144 |

\* cited by examiner

*Primary Examiner*—Philip S. Hyder

*Assistant Examiner*—Daniel Bui

(74) *Attorney, Agent, or Firm*—Raymond Y. Chan; David  
and Raymond Patent Group

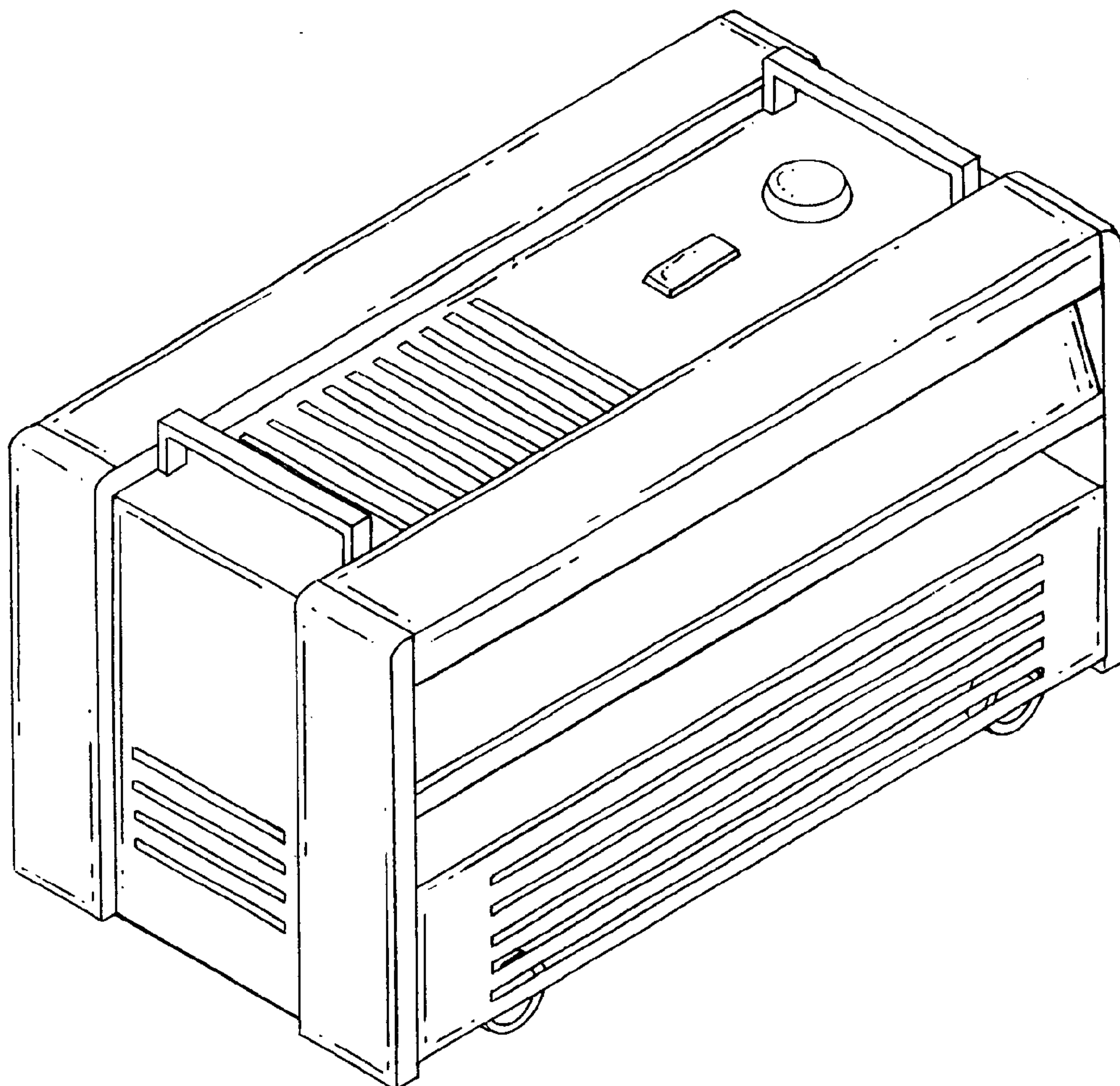
(57) **CLAIM**

The ornamental design for a generator, as shown.

**DESCRIPTION**

FIG. 1 is a perspective view of a generator, showing my  
design;  
FIG. 2 is a front elevation view thereof;  
FIG. 3 is a rear elevation view thereof;  
FIG. 4 is a top plan view thereof;  
FIG. 5 is a left side elevation view thereof; and,  
FIG. 6 is a right side elevation view thereof.

**1 Claim, 6 Drawing Sheets**



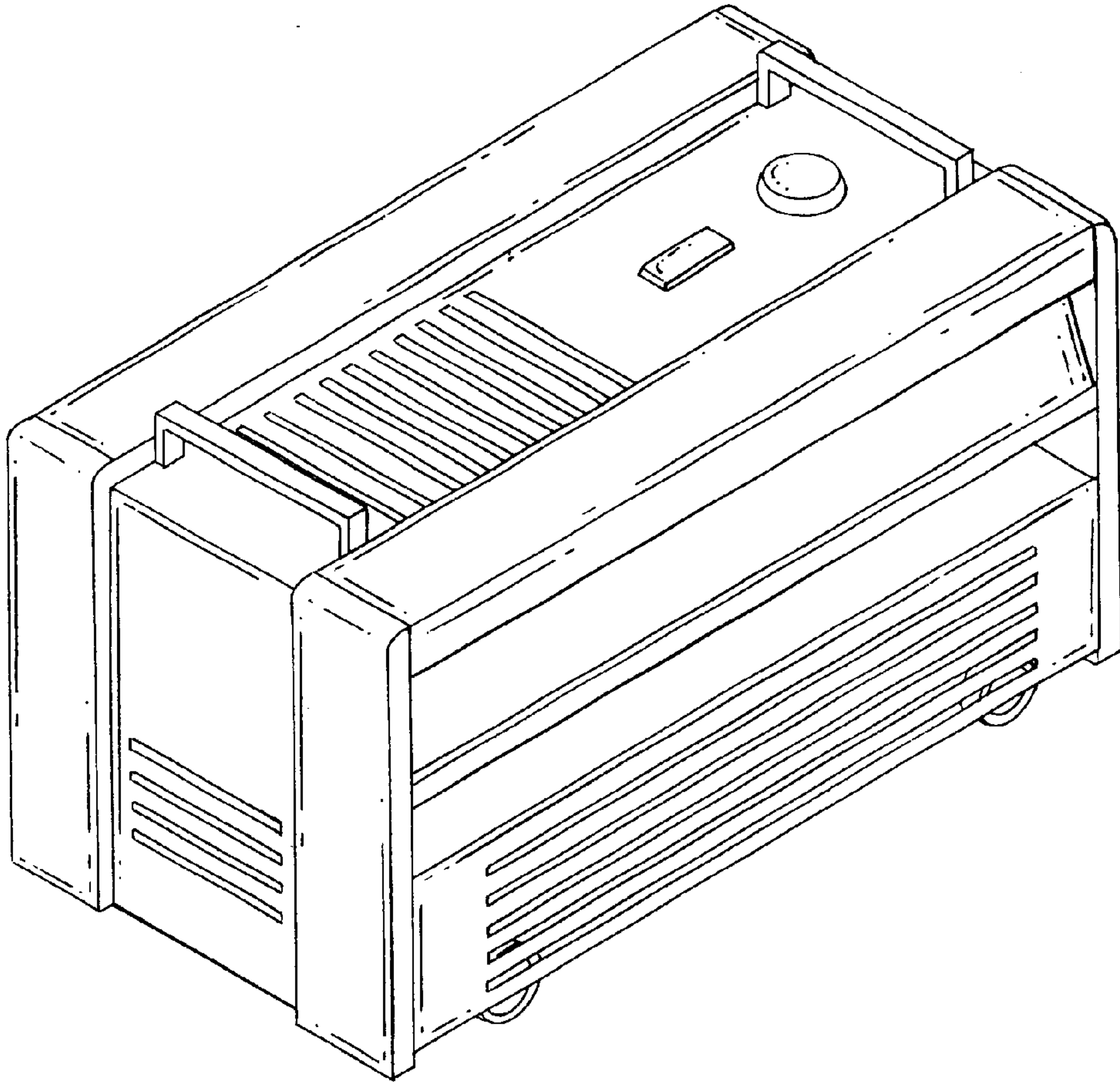


FIG. 1

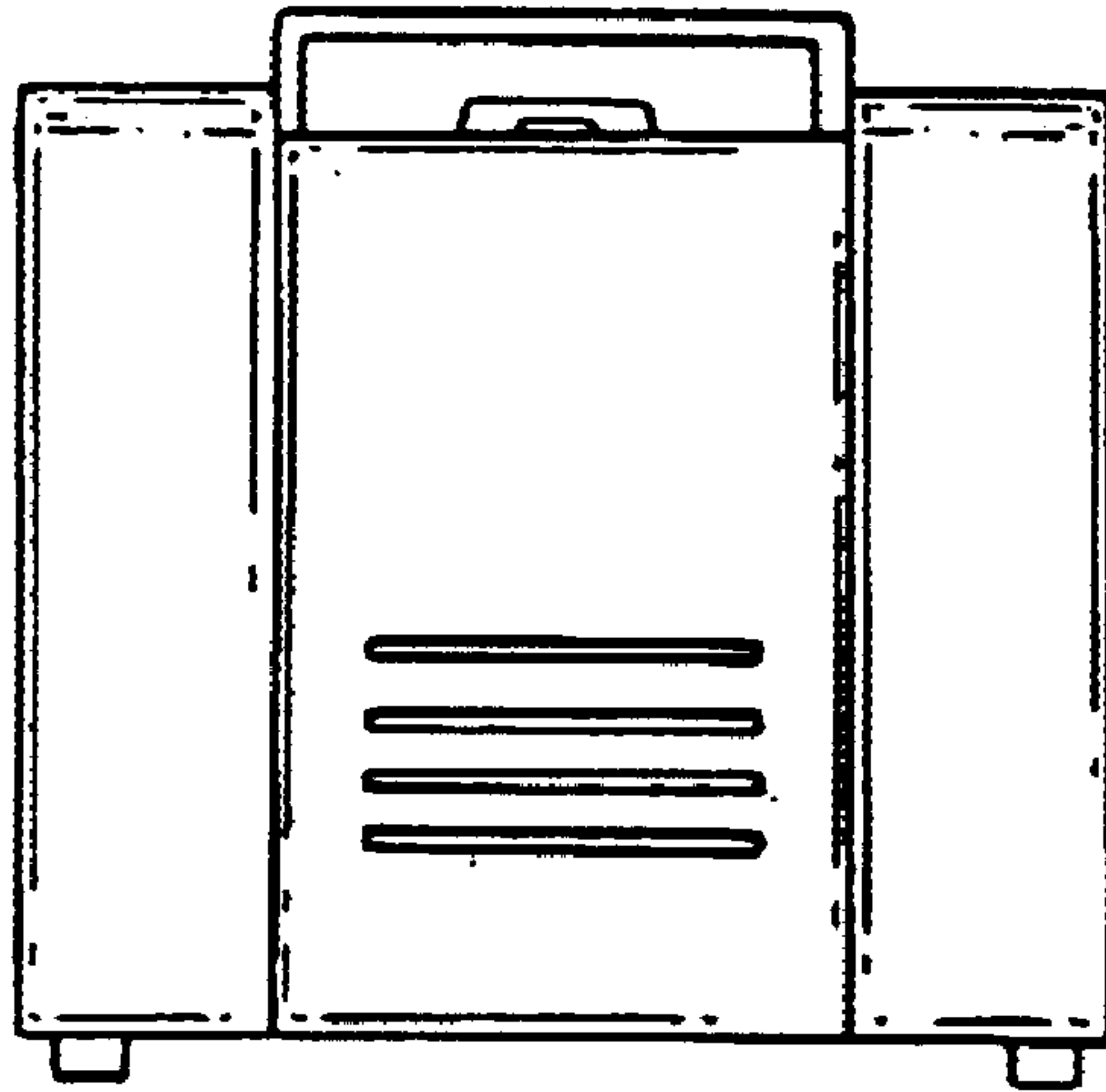


FIG. 2

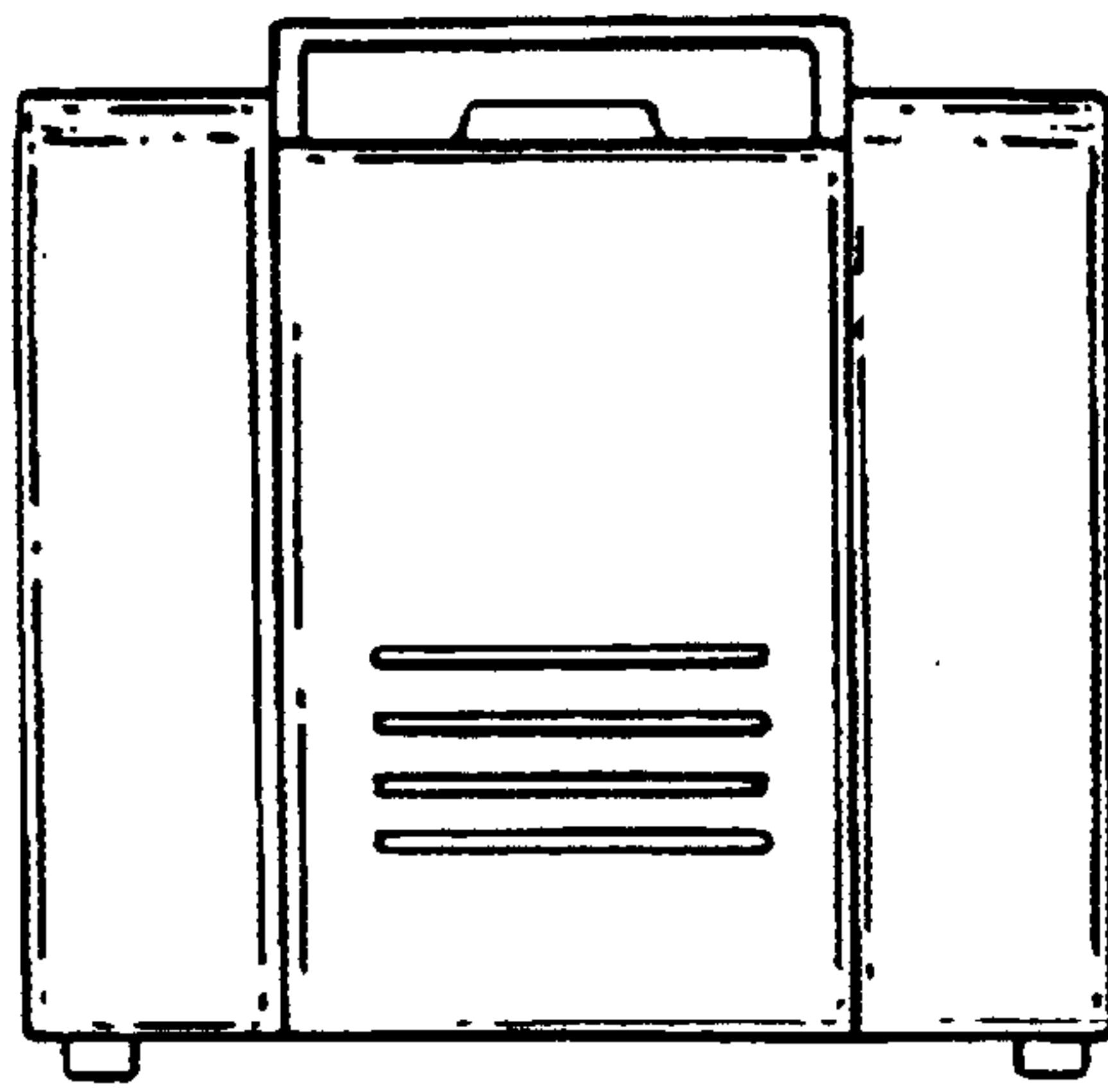


FIG. 3

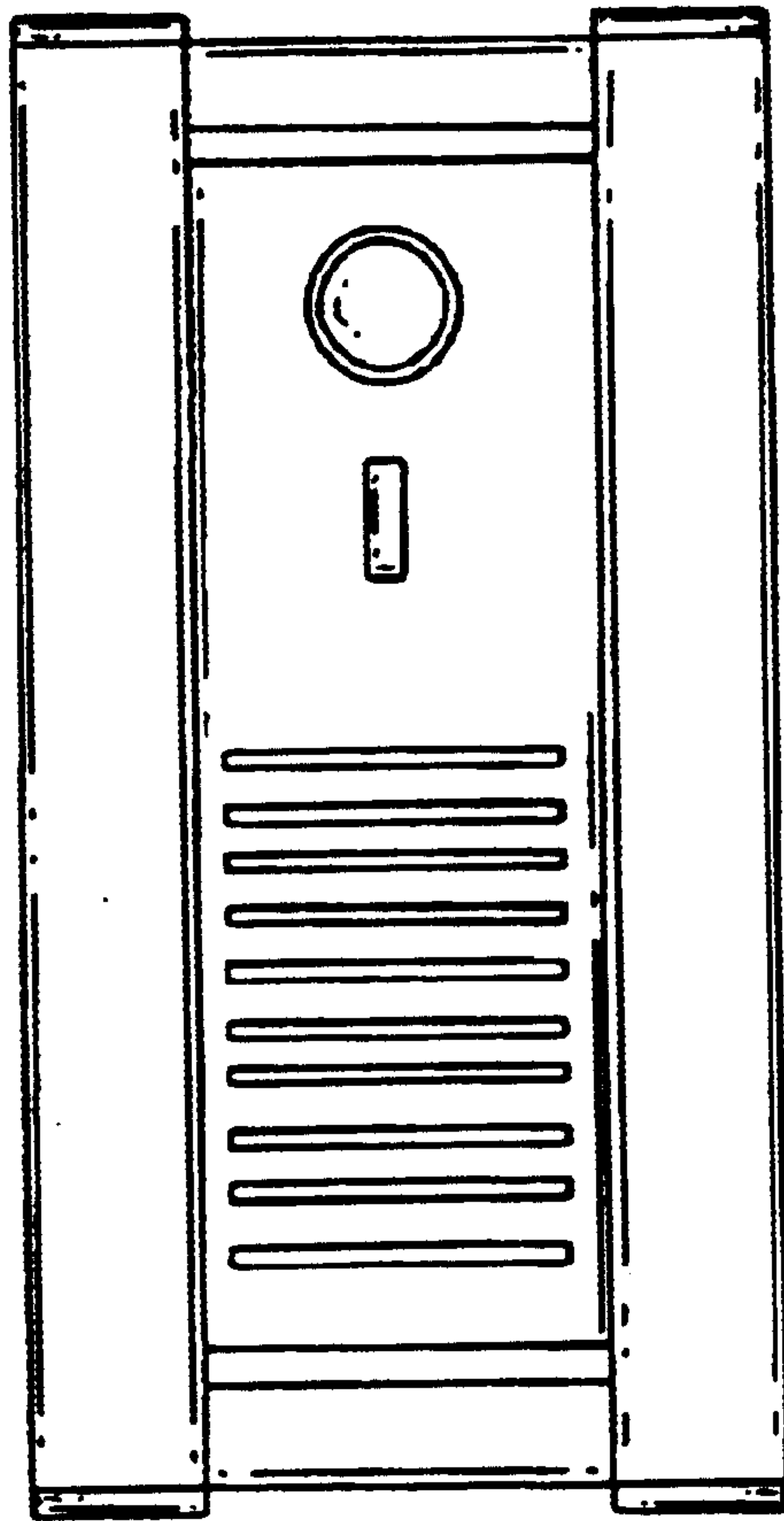


FIG. 4

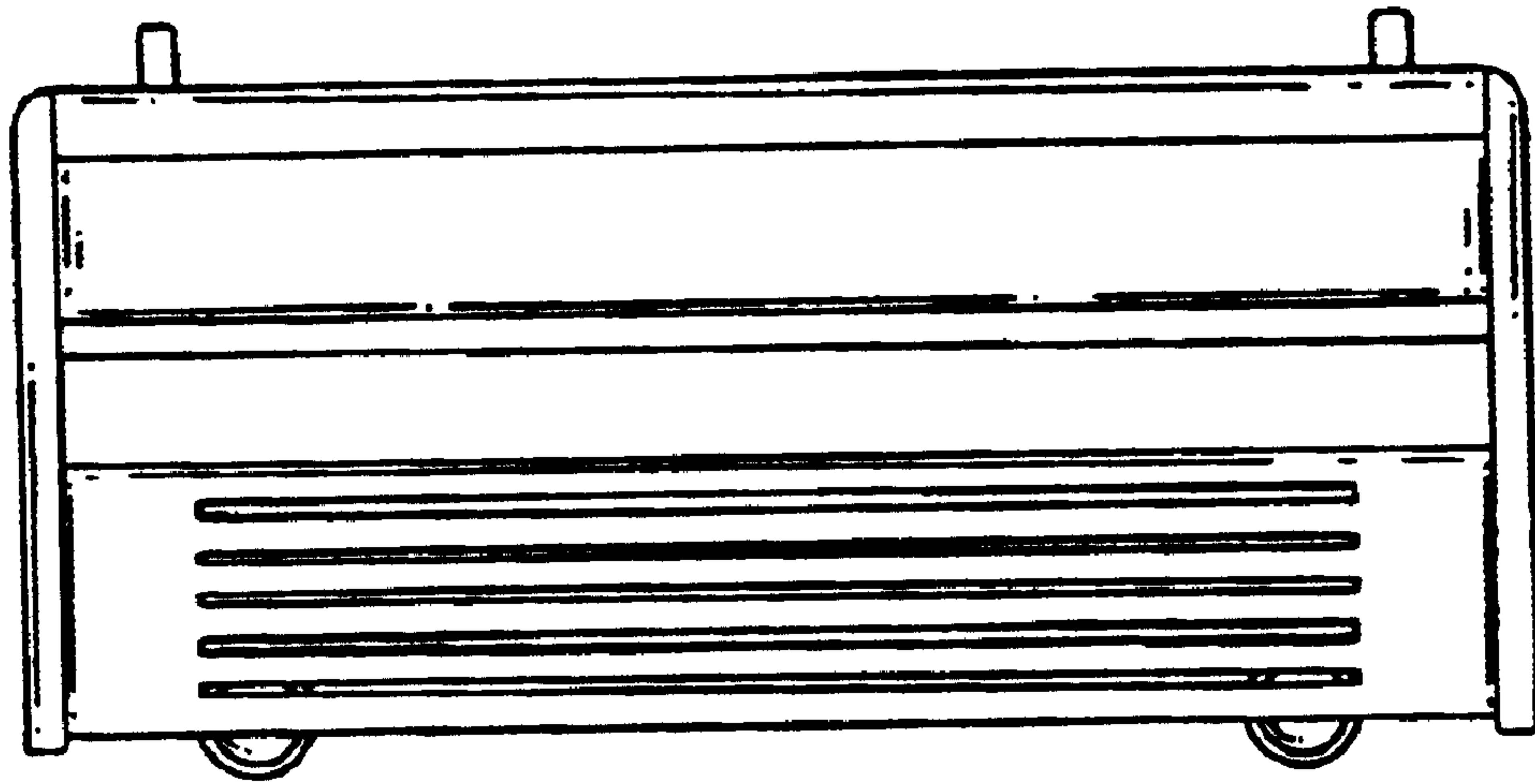


FIG. 5

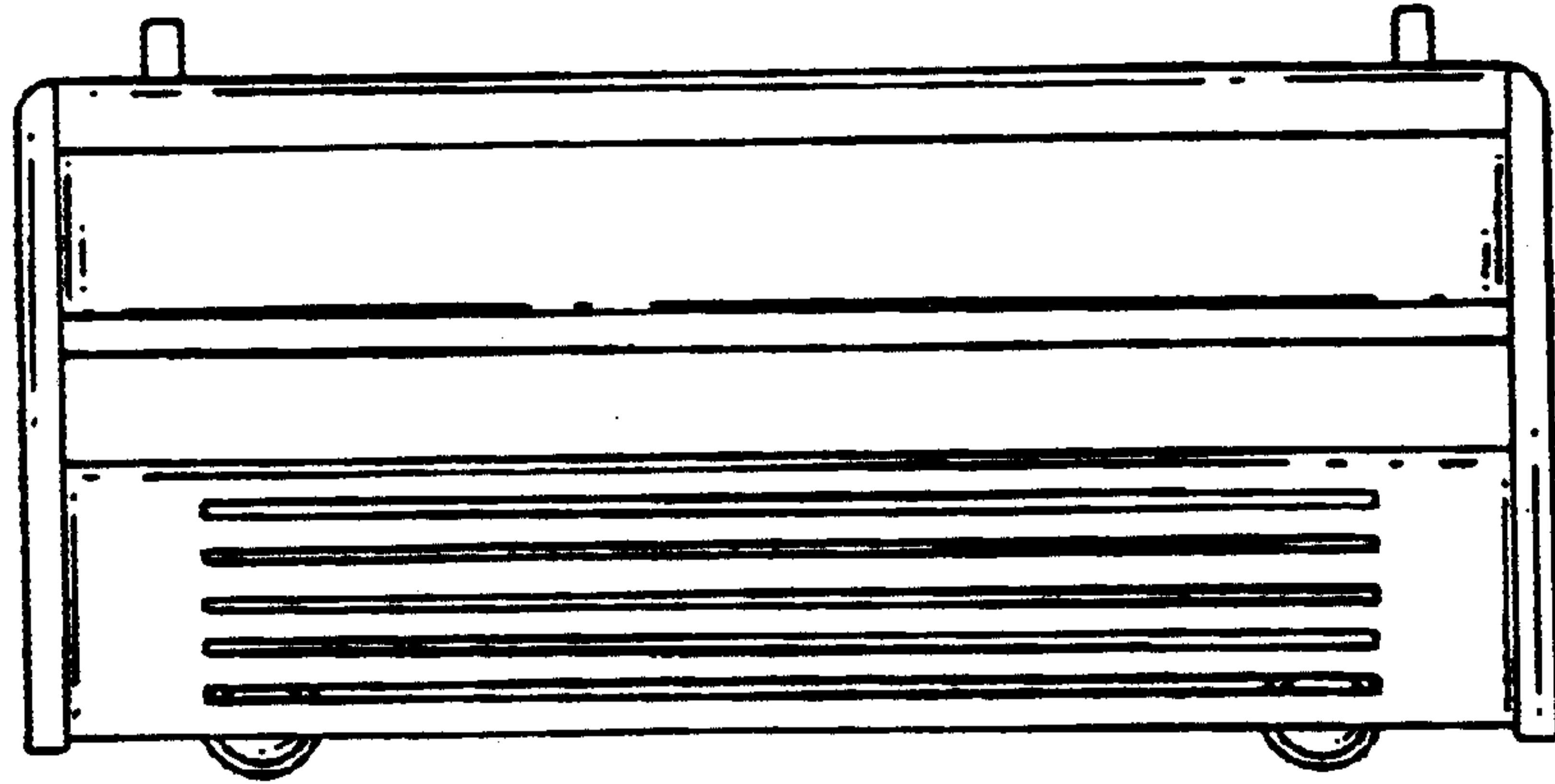


FIG. 6