



US00D488126S

(12) **United States Design Patent**
Baswick et al.

(10) **Patent No.:** **US D488,126 S**

(45) **Date of Patent:** **** Apr. 6, 2004**

(54) **TRANSFORMER HOUSING**

(75) Inventors: **Jon Nathan Baswick**, Toronto (CA);
Raymond L. R. Morrish, Toronto
(CA); **David Alt**, Toronto (CA);
Cynthia Marie Desjardins, Toronto
(CA)

(73) Assignee: **Allanson International, Inc.**, Toronto
(CA)

(**) Term: **14 Years**

(21) Appl. No.: **29/178,025**

(22) Filed: **Mar. 20, 2003**

(30) **Foreign Application Priority Data**

Sep. 23, 2002 (CA) 100690

(51) **LOC (7) Cl.** **13-02**

(52) **U.S. Cl.** **D13/110**

(58) **Field of Search** D13/110, 112,
D13/114, 107-118; 307/150; 336/90, 107;
361/836; 363/15, 126, 141, 146

(56) **References Cited**

U.S. PATENT DOCUMENTS

D103,189 S * 2/1937 Staley D13/107
D210,832 S * 4/1968 Napier D14/114
D275,101 S * 8/1984 Read D14/240

D341,567 S * 11/1993 Acker et al. D13/110
D346,587 S * 5/1994 Herman et al. D13/177
D348,649 S * 7/1994 Richards et al. D13/118

* cited by examiner

Primary Examiner—Philip S. Hyder

Assistant Examiner—Daniel Bui

(74) *Attorney, Agent, or Firm*—Ohlandt, Greeley, Ruggiero
& Perle LLP

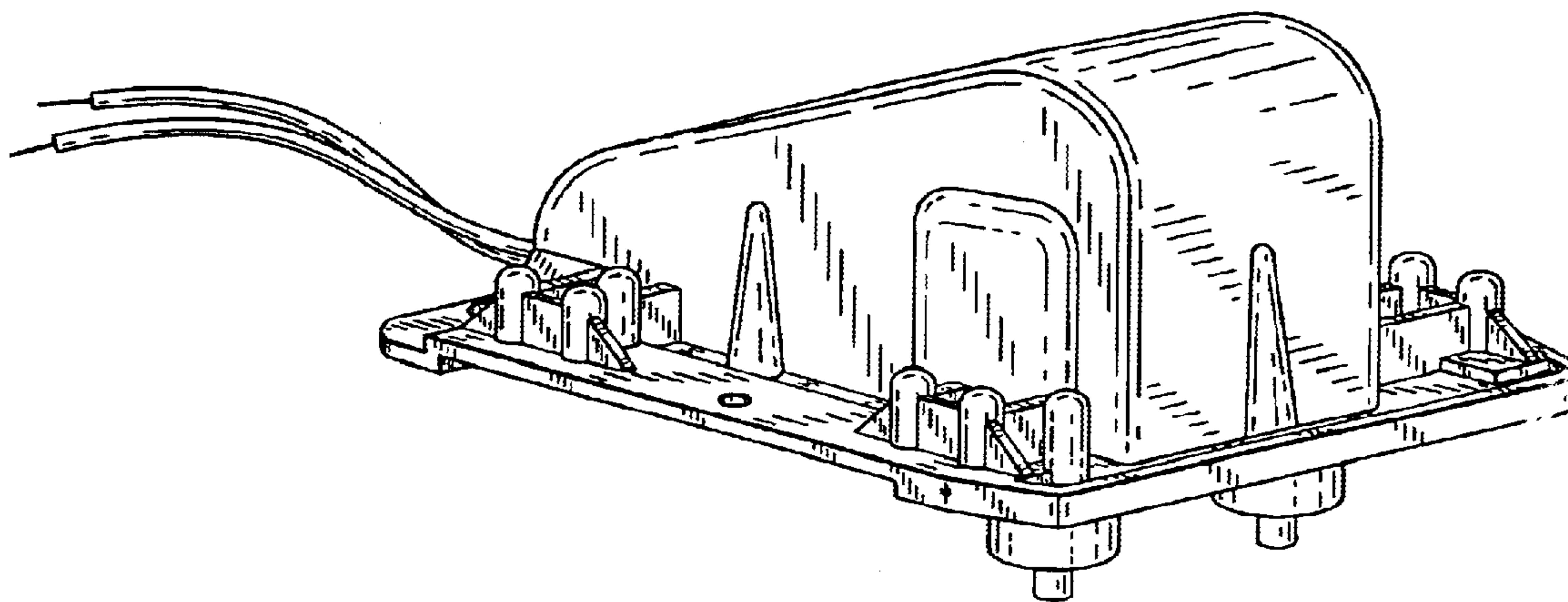
(57) **CLAIM**

The ornamental design for the transformer housing, as shown and described.

DESCRIPTION

FIG. 1 is a perspective view of the transformer housing according to the present invention;
FIG. 2 is a top view of the transformer housing of FIG. 1;
FIG. 3 is a side view of the transformer housing of FIG. 1, showing one side thereof;
FIG. 4 is a side view of the transformer housing of FIG. 1 viewed from the opposite side of FIG. 3;
FIG. 5 is a bottom view of the transformer housing of FIG. 1;
FIG. 6 is an end view of the transformer housing of FIG. 1; and,
FIG. 7 is an end view of the transformer housing of FIG. 1, viewed from an opposite end to FIG. 6.

1 Claim, 3 Drawing Sheets



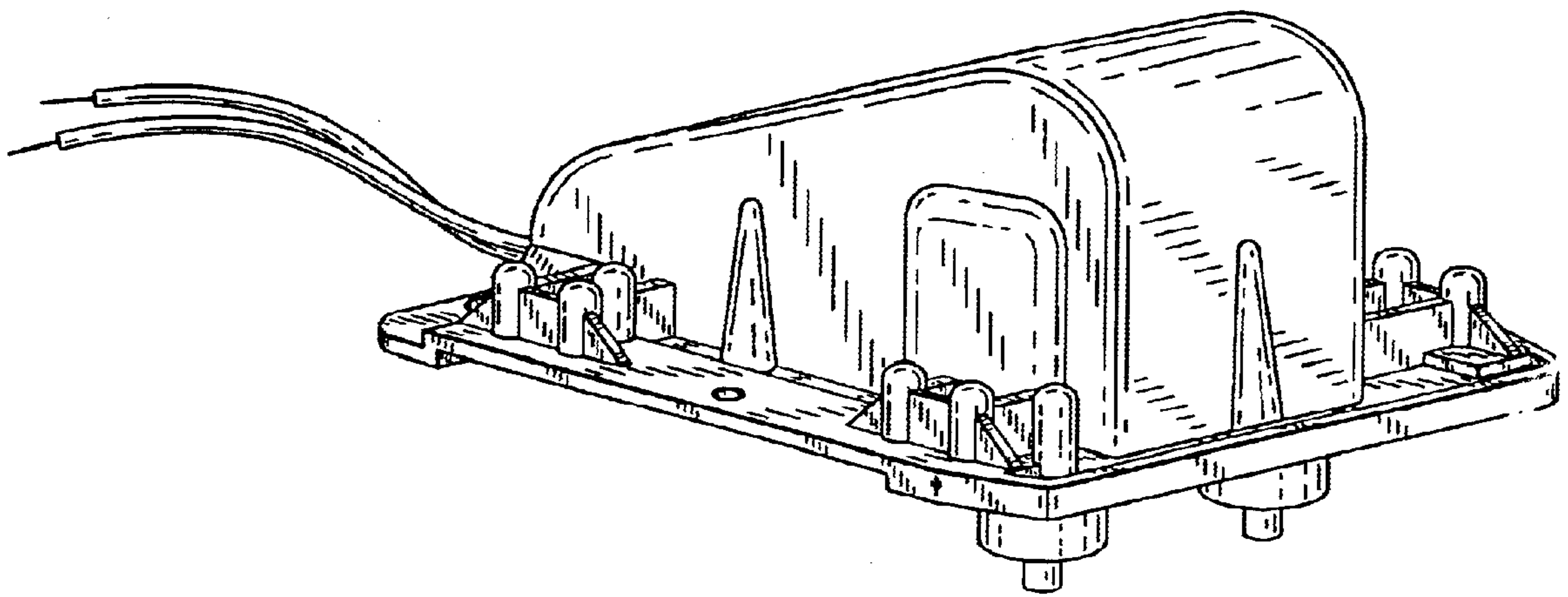


FIG. 1

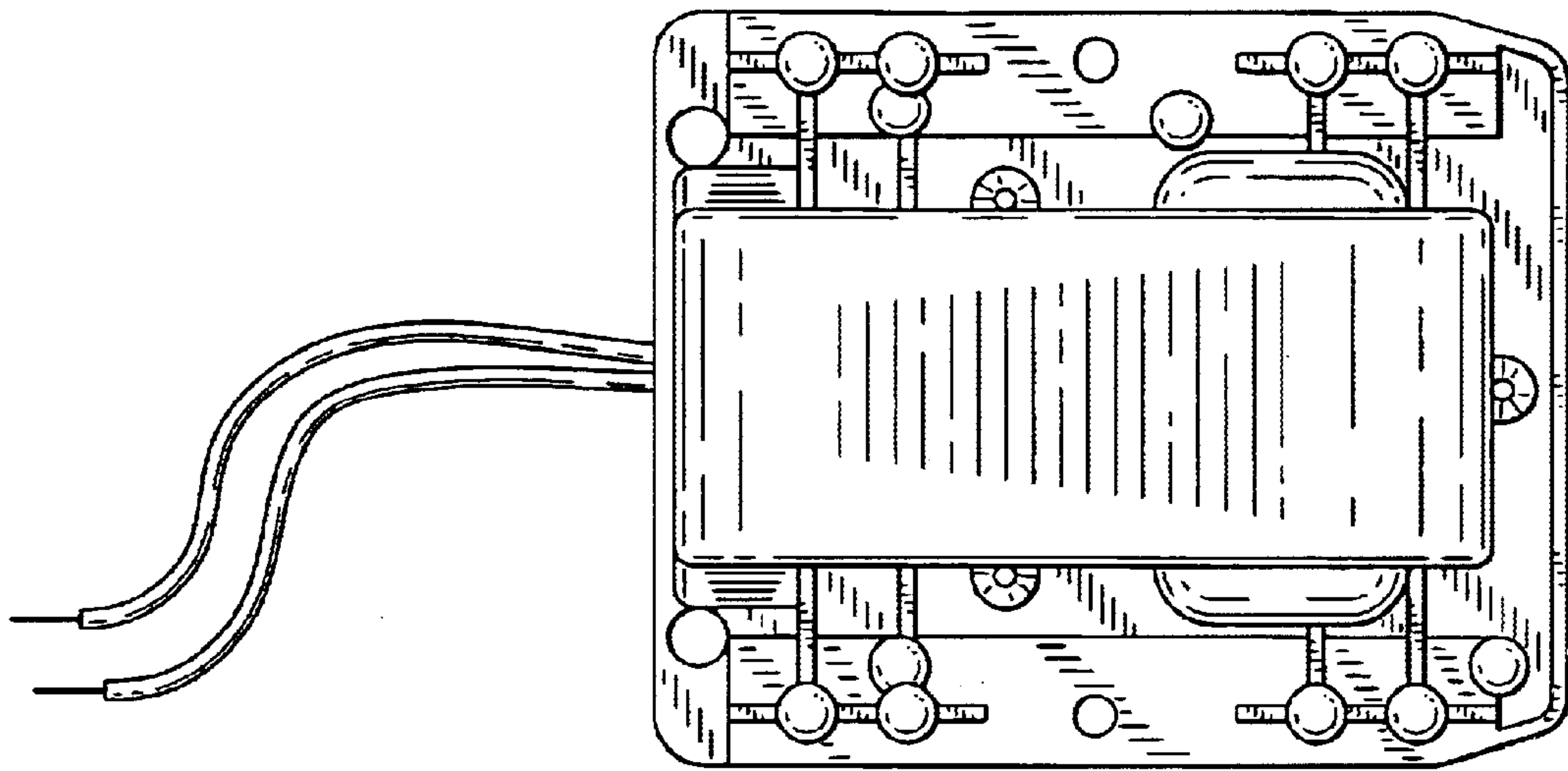


FIG. 2

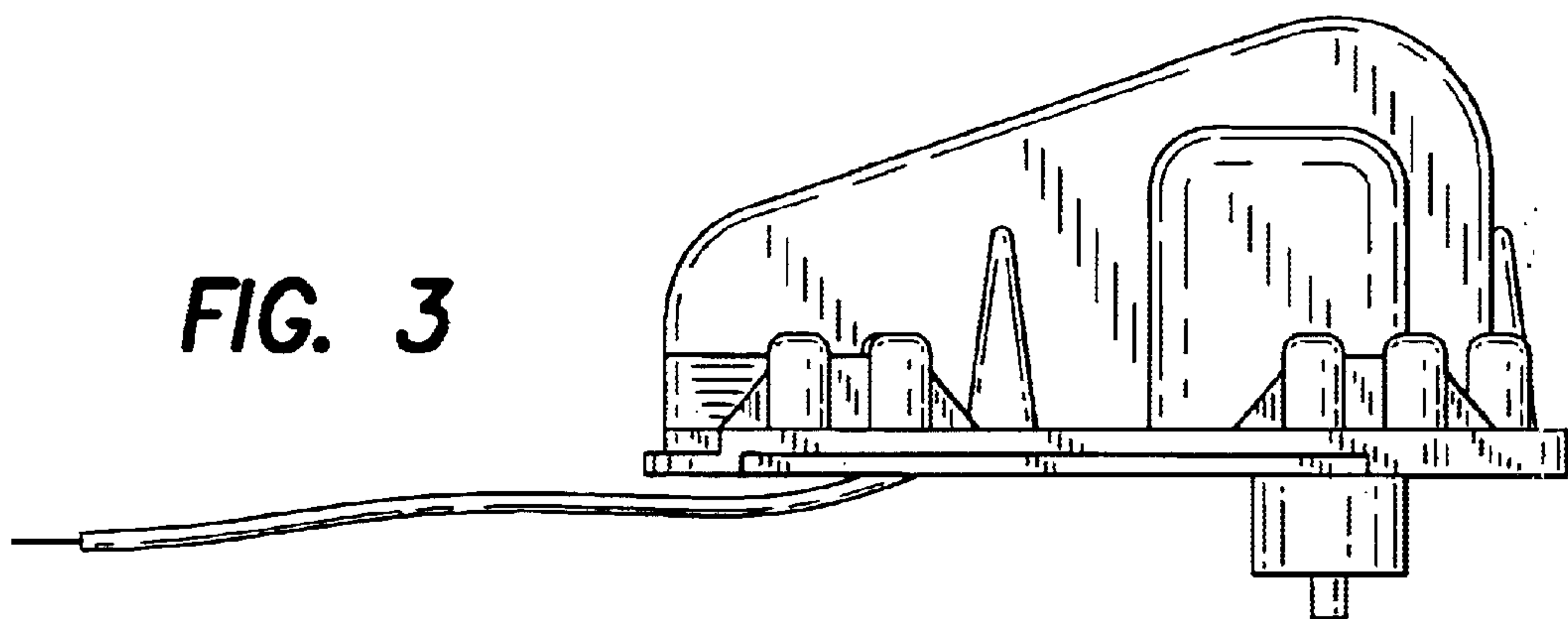


FIG. 3

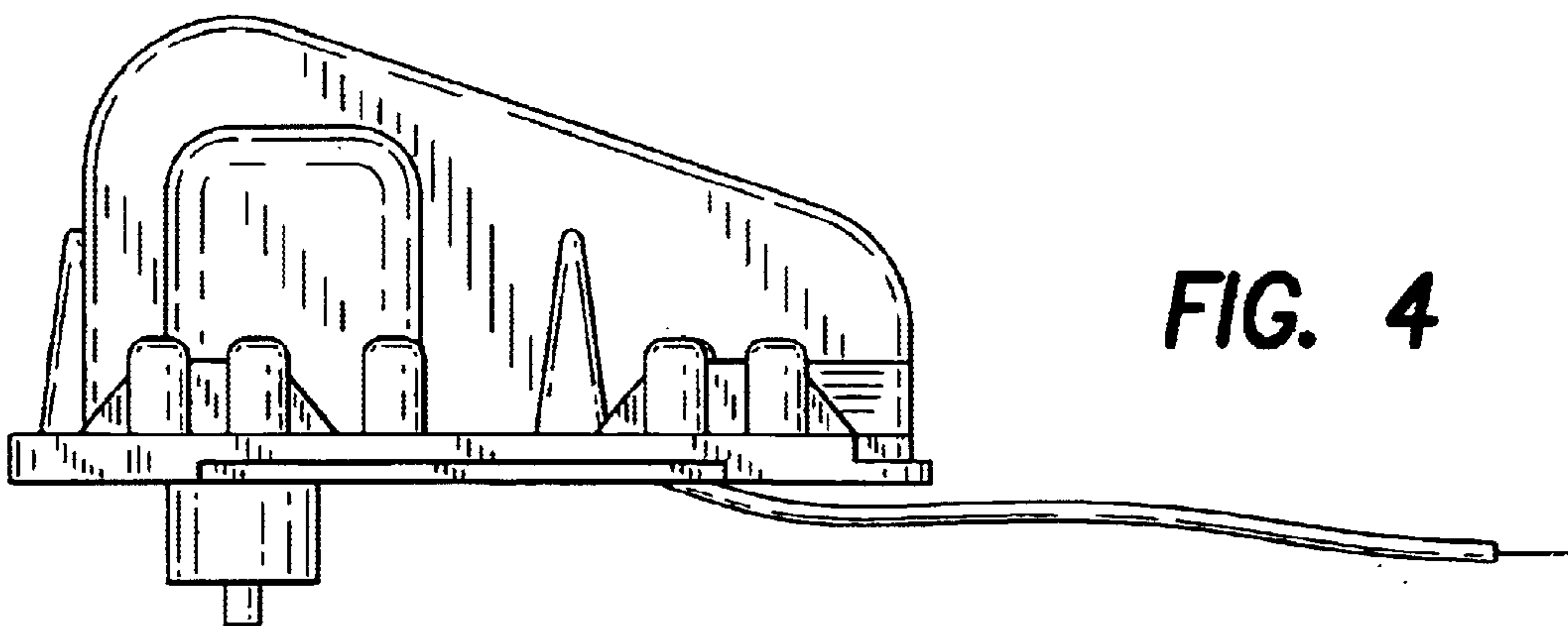


FIG. 4

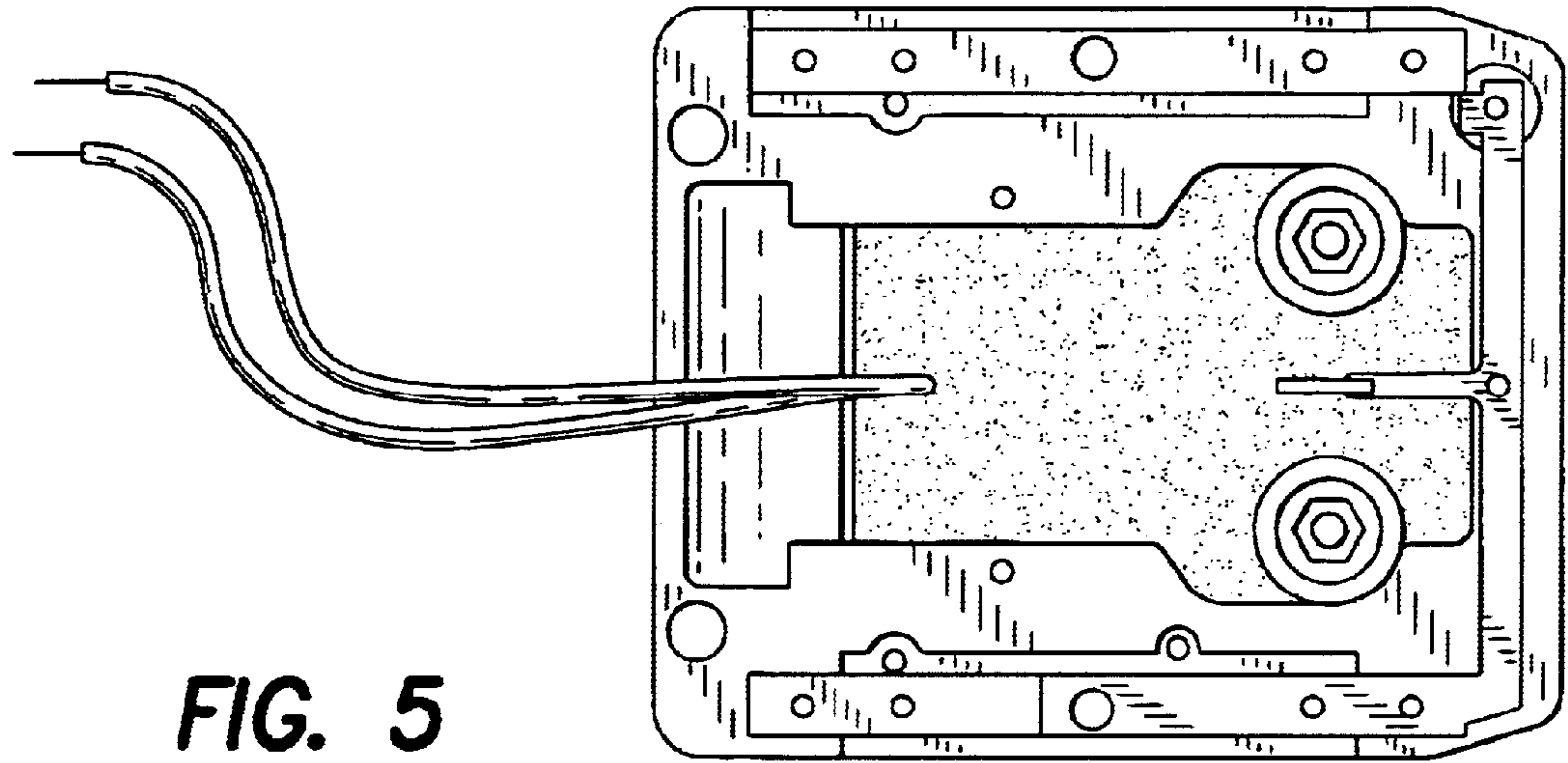


FIG. 5

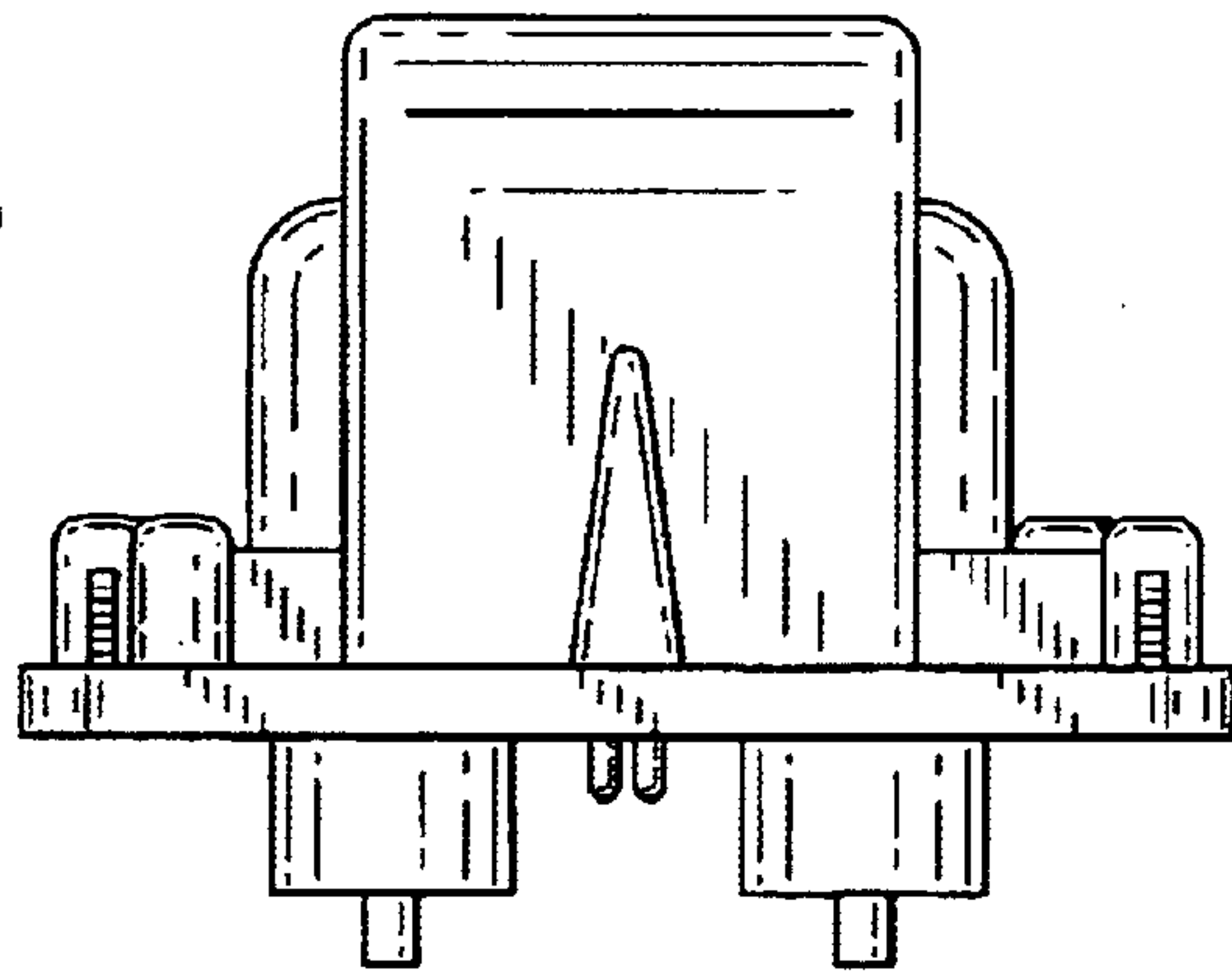


FIG. 6

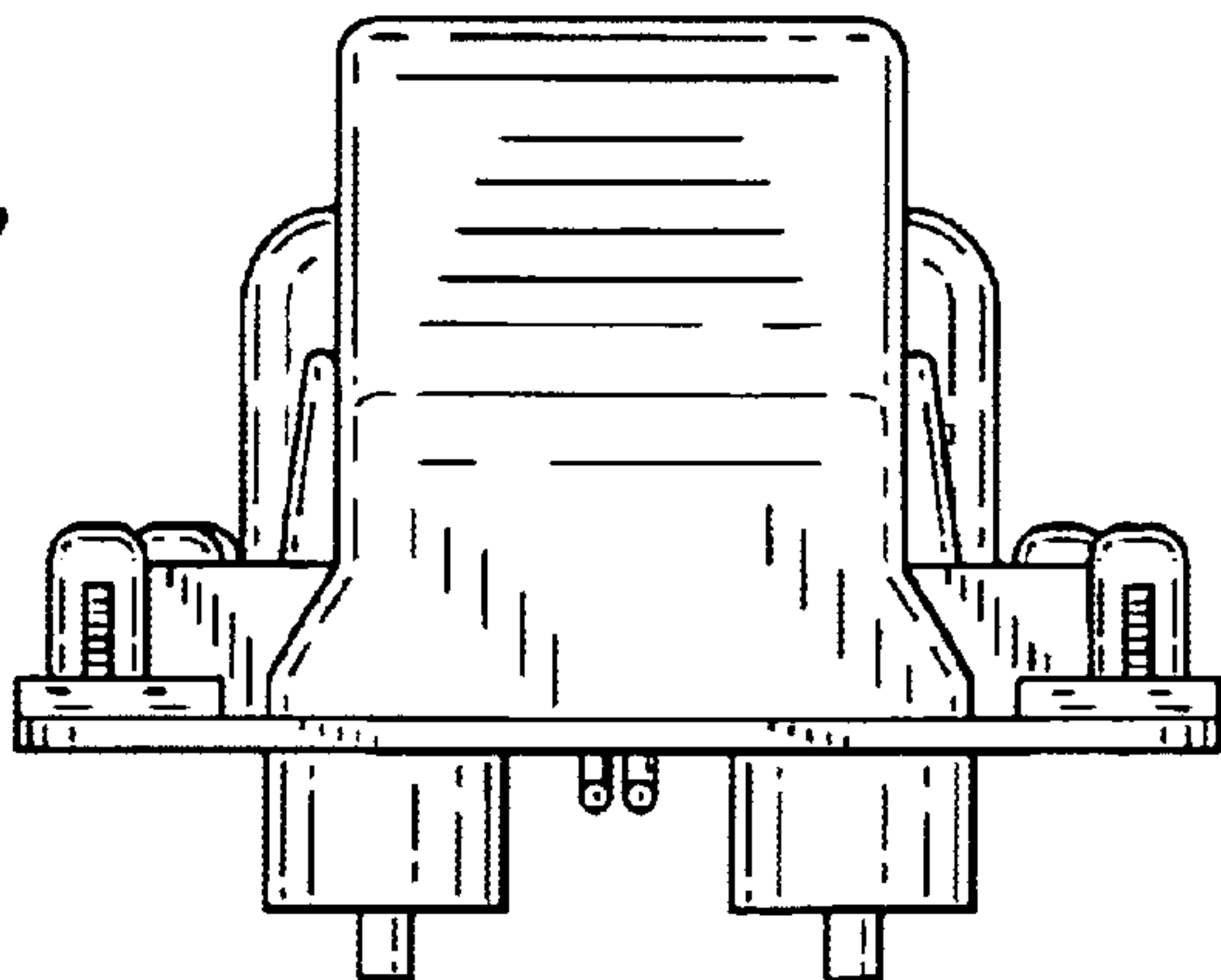


FIG. 7