



US00D488123S

(12) **United States Design Patent**
Ooyama

(10) **Patent No.:** **US D488,123 S**

(45) **Date of Patent:** **** Apr. 6, 2004**

(54) **AUTOMOBILE TIRE**

OTHER PUBLICATIONS

(75) Inventor: **Toshiro Ooyama**, Kanagawa (JP)

Cordovan Power King Radial RS II Tire, 2001 Tread Design Guide, Jan. 2001, p. 123. 3/4.*

(73) Assignee: **The Yokohama Rubber Co., Ltd.**, Tokyo (JP)

Ohtsu Hi-Steel Radial RI-148Tire, 2001 Tread Design Guide, Jan. 2001, p. 145. 4/3.*

(**) Term: **14 Years**

* cited by examiner

(21) Appl. No.: **29/176,495**

Primary Examiner—Robert M. Spear

(22) Filed: **Feb. 25, 2003**

(74) *Attorney, Agent, or Firm*—Rader, Fishman & Grauer PLLC

(30) **Foreign Application Priority Data**

(57) **CLAIM**

Sep. 26, 2002 (JP) 2002-026263

The ornamental design for automobile tire, as shown and described.

(51) **LOC (7) Cl.** **12-15**

DESCRIPTION

(52) **U.S. Cl.** **D12/600**

(58) **Field of Search** D12/559, 564, D12/565, 594, 600, 601, 900; 152/209.1, 209.9, 209.13, 209.25

FIG. 1 is a front view of an automobile tire, showing the new design, a rear view, a top plan view and a bottom plan view, appearing the same as the front view;

FIG. 2 is a right side view of the automobile tire, a left side view appearing the same as the right side view;

FIG. 3 is a fragmentary front view, showing in enlargement the portion of line 3—3 in FIG. 1; and,

FIG. 4 is a sectional view, taken along line 4—4 and in the direction of arrows in FIG. 3.

(56) **References Cited**

U.S. PATENT DOCUMENTS

- D248,292 S * 6/1978 Maeda et al. D12/586
- D275,747 S * 10/1984 Motomura et al. D12/594
- D316,239 S * 4/1991 Tsuda et al. D12/588
- D333,285 S * 2/1993 Hinrichsen et al. D12/586
- D371,756 S * 7/1996 Kishi et al. D12/588

1 Claim, 2 Drawing Sheets

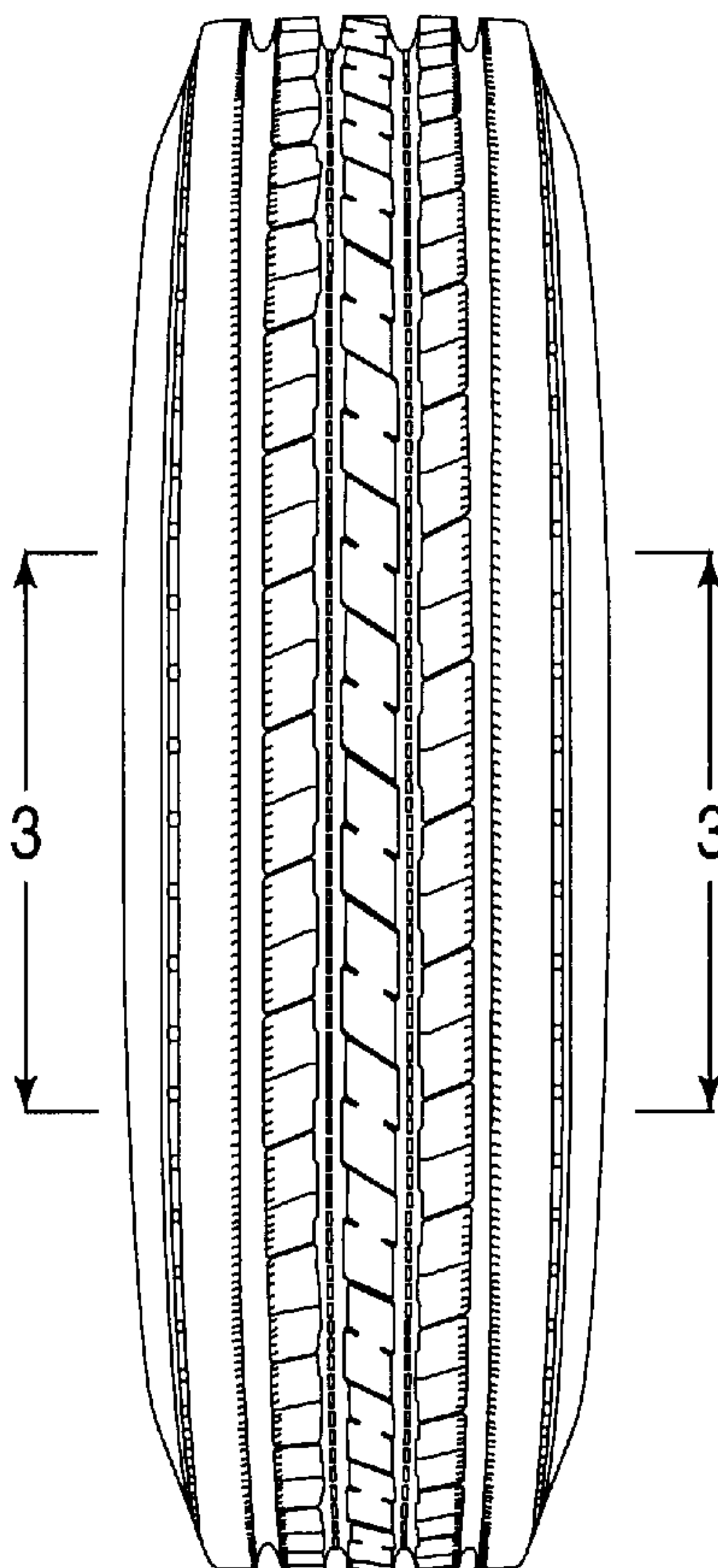


FIG. 1

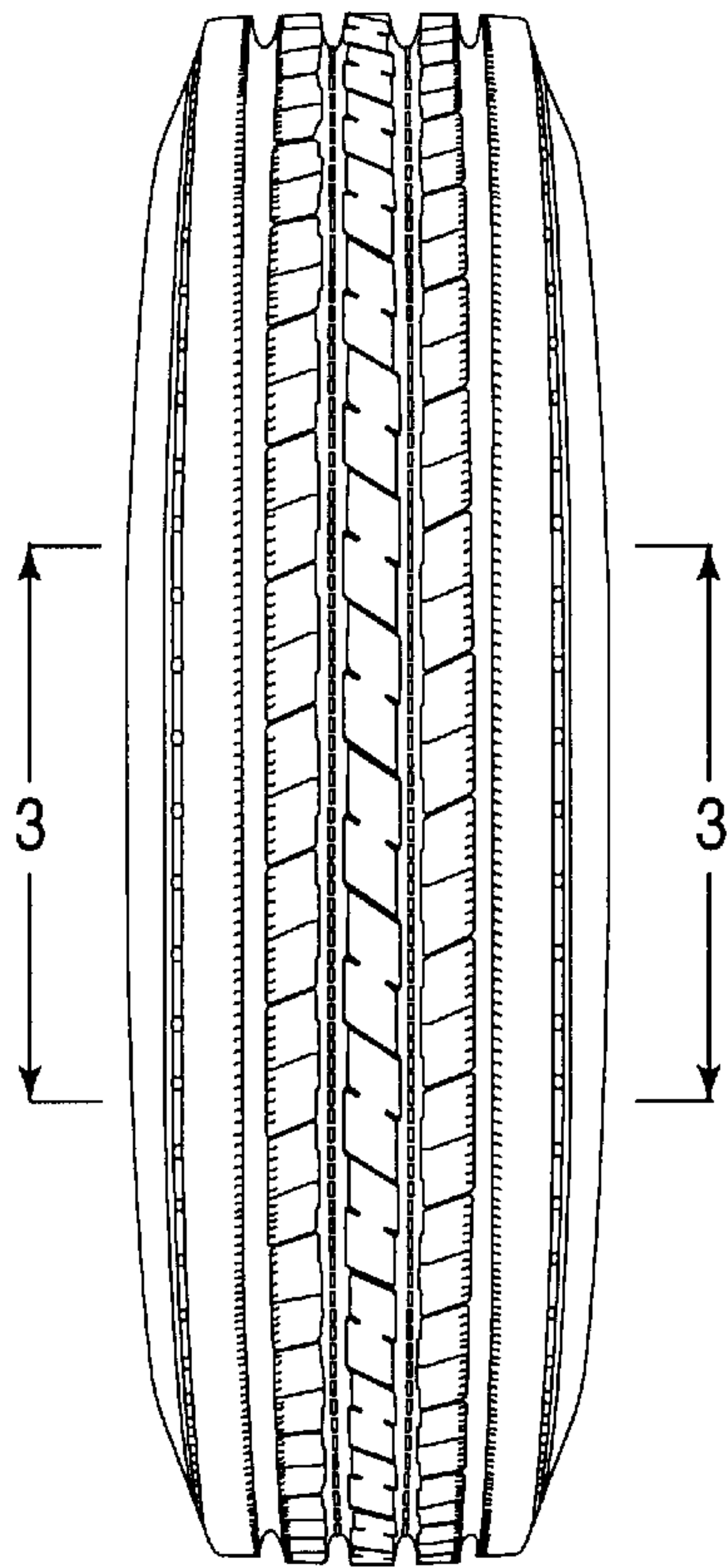


FIG. 2

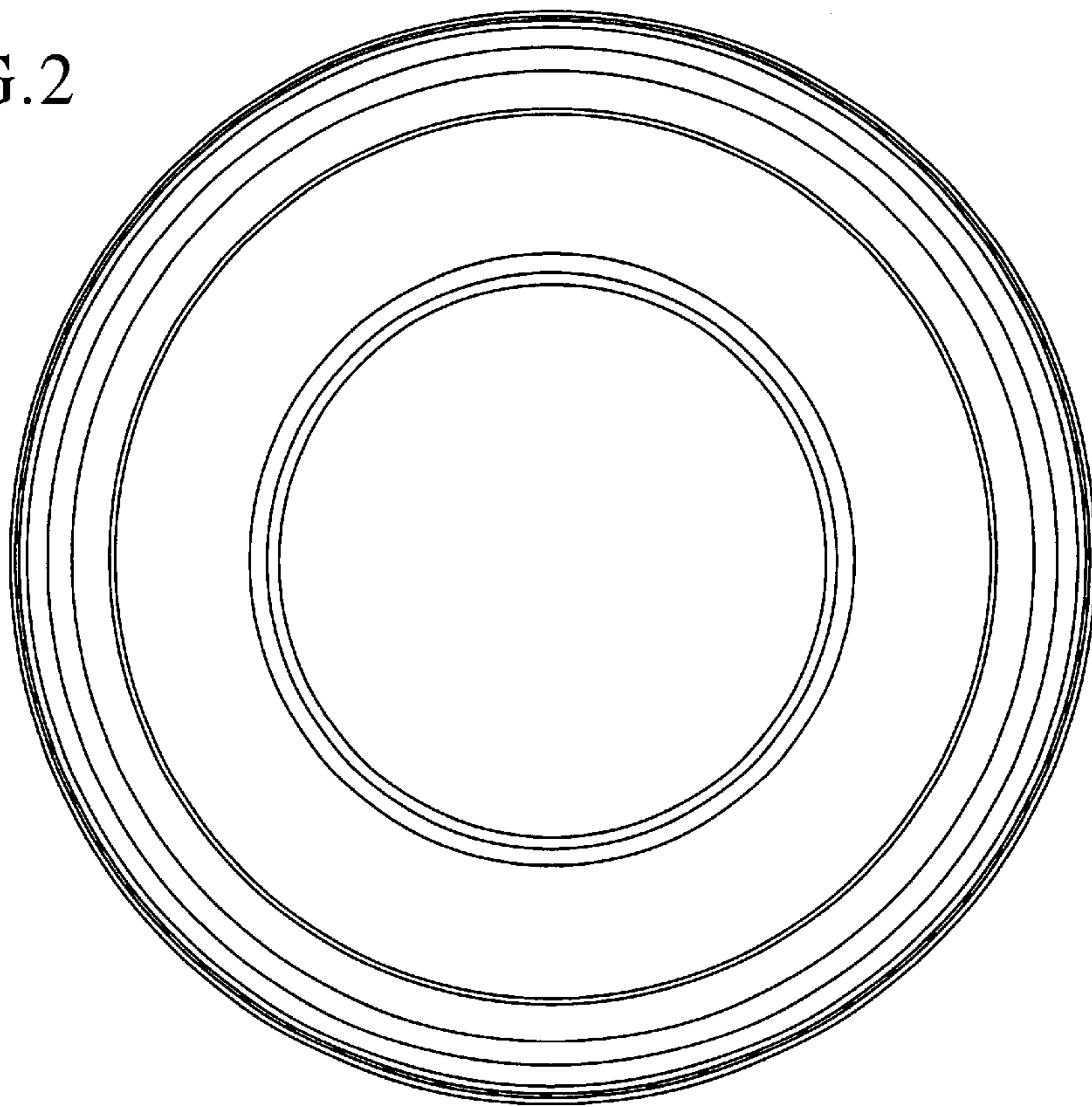


FIG.3

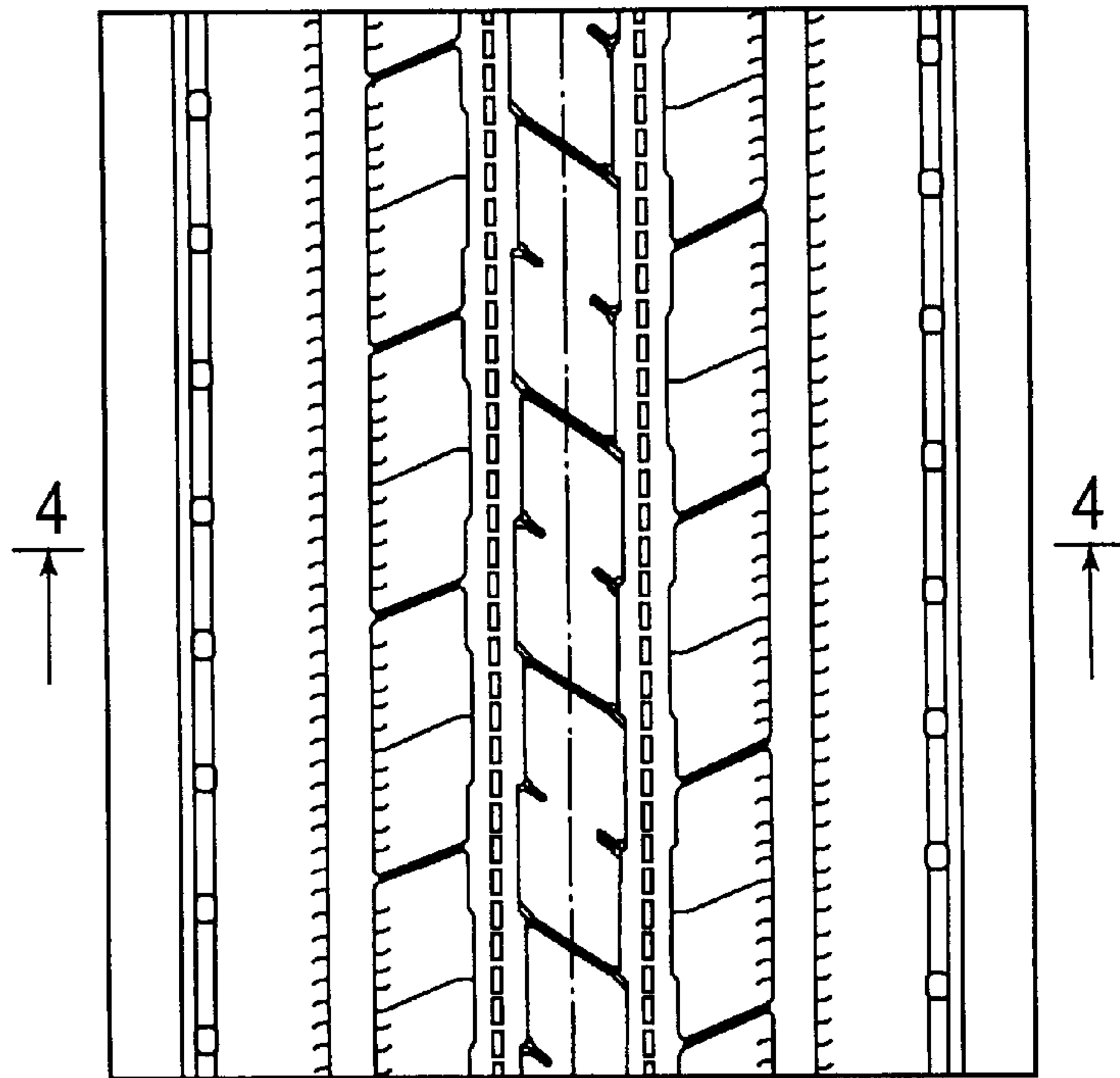


FIG.4

