



US00D488120S

(12) **United States Design Patent**
Araki

(10) **Patent No.:** **US D488,120 S**

(45) **Date of Patent:** **** Apr. 6, 2004**

(54) **LID OPENING DEVICE FOR AUTOMOBILE**

(75) Inventor: **Minoru Araki**, Yokohama (JP)

(73) Assignee: **Nifco Inc.**, Yokohama (JP)

(**) Term: **14 Years**

(21) Appl. No.: **29/177,299**

(22) Filed: **Mar. 10, 2003**

(30) **Foreign Application Priority Data**

Sep. 10, 2002 (JP) 2002-024604

(51) **LOC (7) Cl.** **12-16**

(52) **U.S. Cl.** **D12/400**

(58) **Field of Search** D12/197, 198,
D12/114, 400, 354, 349; D8/395, 382;
220/DIG. 32, DIG. 33, 86.1, 86.2, 378

(56) **References Cited**

U.S. PATENT DOCUMENTS

D97,101 S * 10/1935 Sinko D12/197
D398,280 S * 9/1998 Home D12/197 X

D403,642 S * 1/1999 Acord D12/197
D415,989 S * 11/1999 Foltz D12/197
D425,004 S * 5/2000 Bonvicin D12/197

* cited by examiner

Primary Examiner—Stacia Cadmus

(74) *Attorney, Agent, or Firm*—Kanesaka & Takeuchi

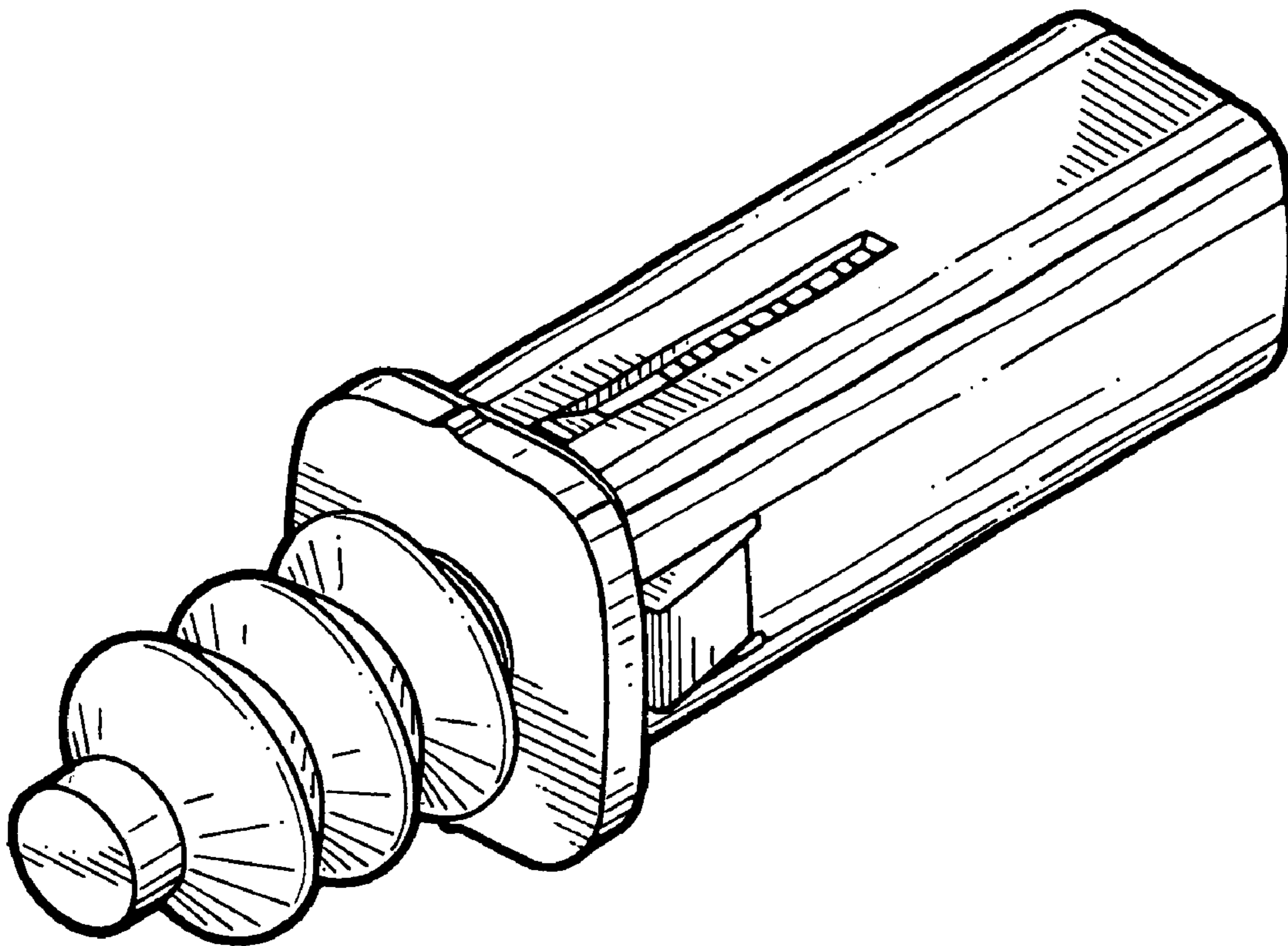
(57) **CLAIM**

The ornamental design for a lid opening device for automobile, as shown and described.

DESCRIPTION

FIG. 1 is a perspective view of a lid opening device for automobile showing my new design;
FIG. 2 is a front view thereof;
FIG. 3 is a plan view thereof;
FIG. 4 is a bottom view thereof;
FIG. 5 is a left side view thereof;
FIG. 6 is a right side thereof; and,
FIG. 7 is a sectional view thereof taken along line 7—7 in FIG. 3.

1 Claim, 3 Drawing Sheets



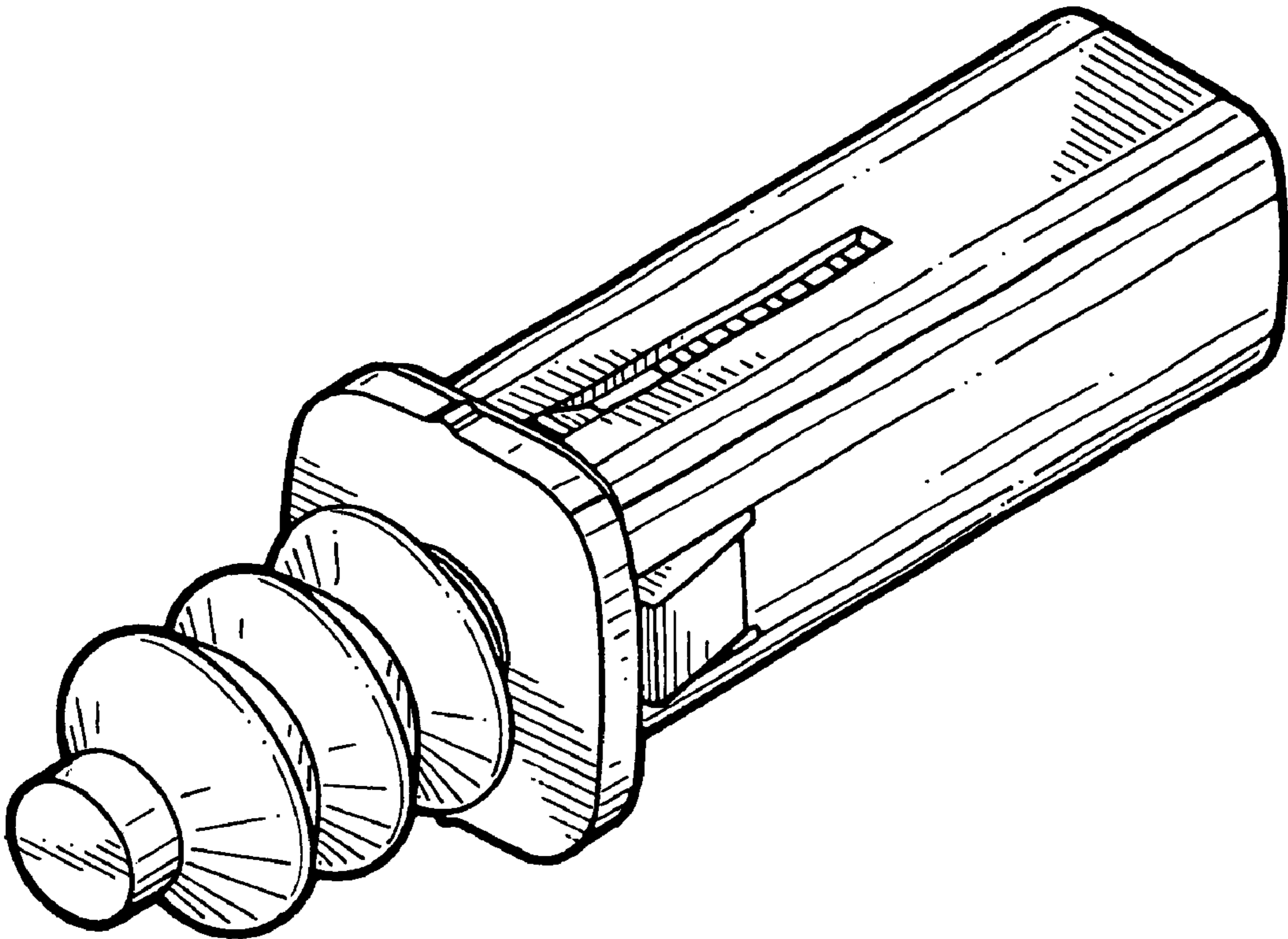


FIG. 1

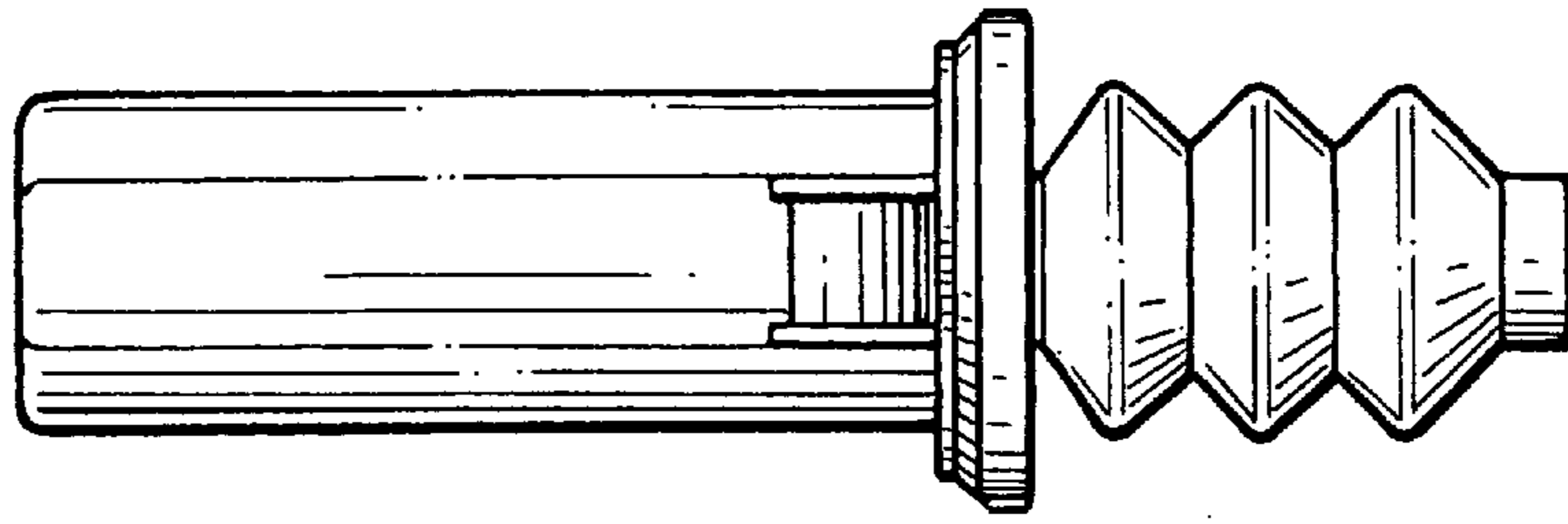


FIG. 2

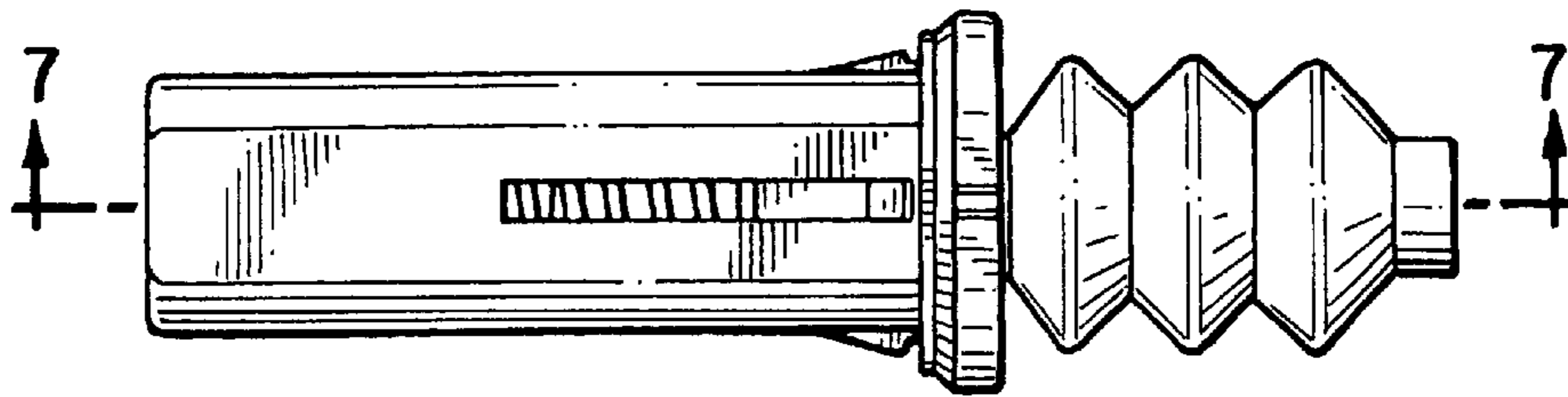


FIG. 3

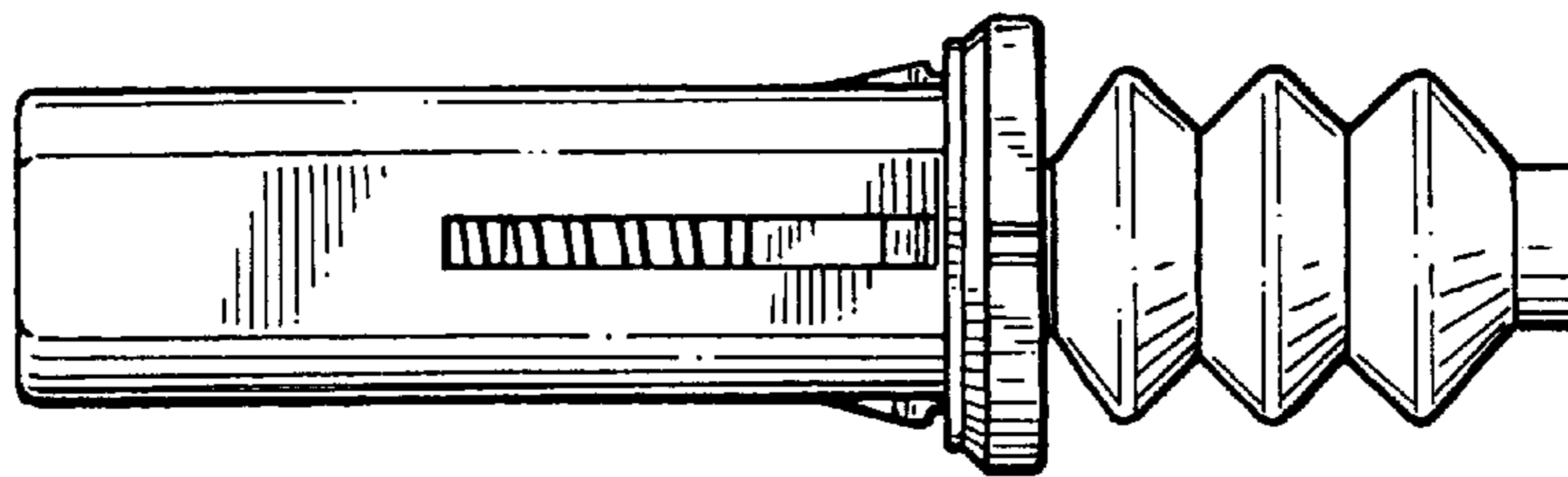


FIG. 4

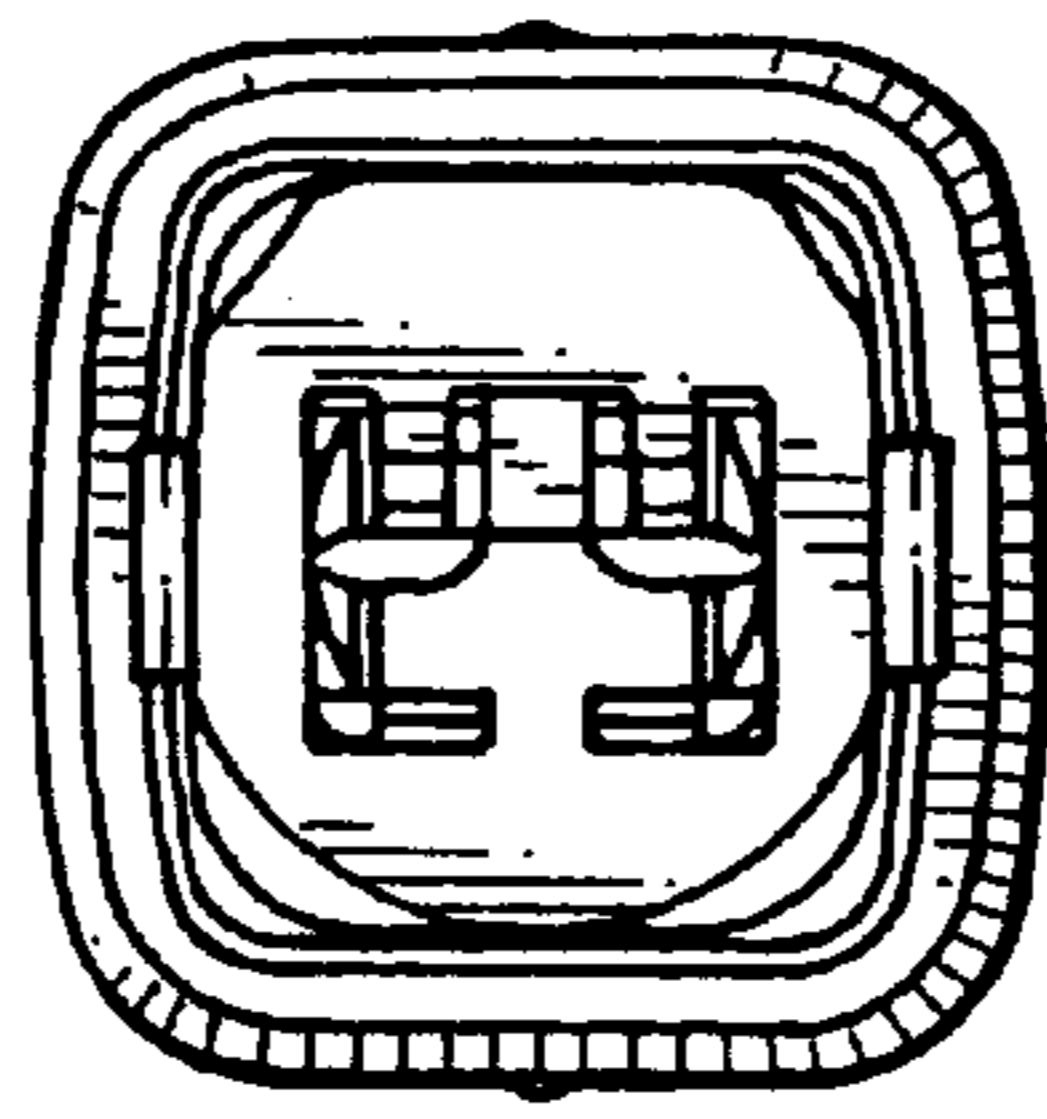


FIG. 5

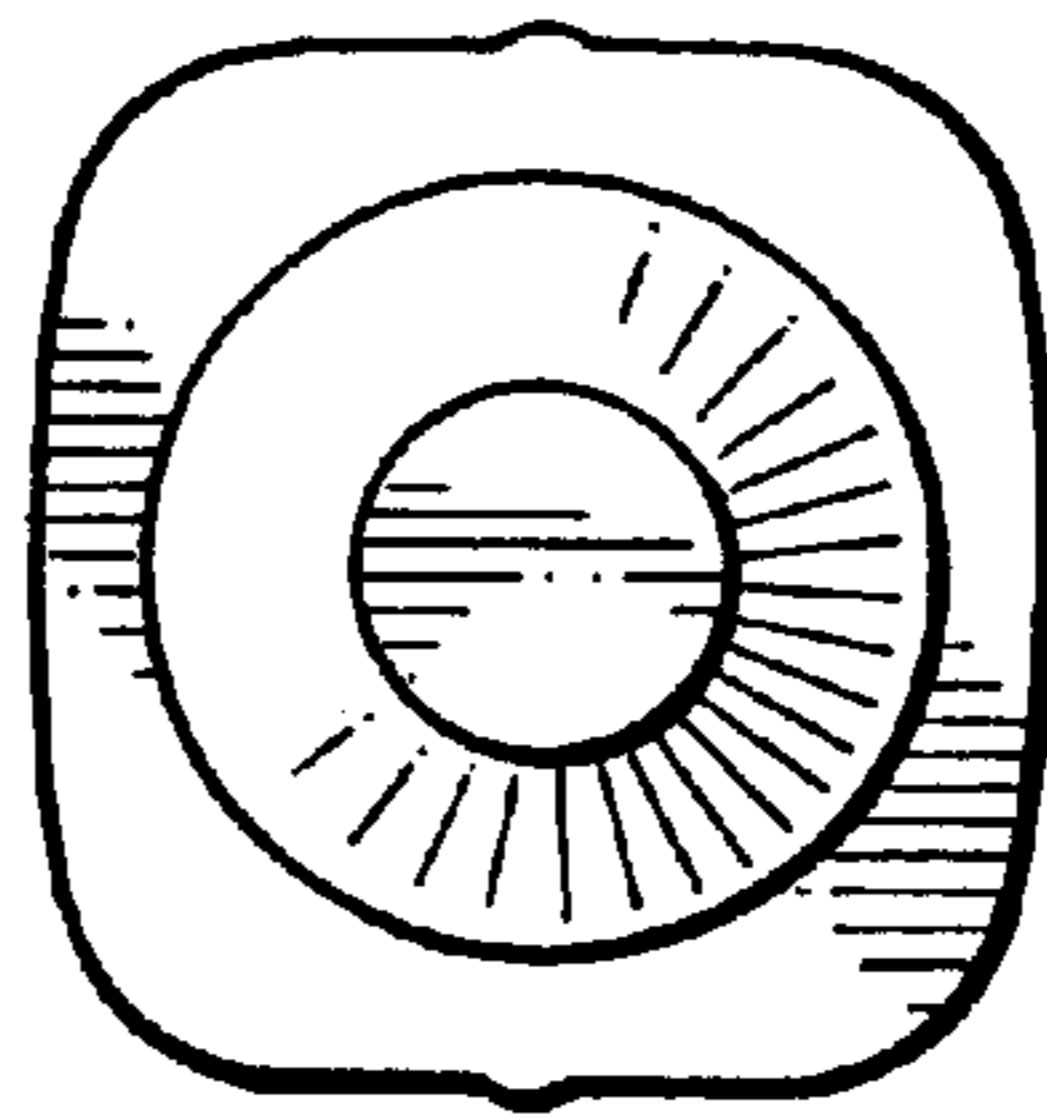


FIG. 6

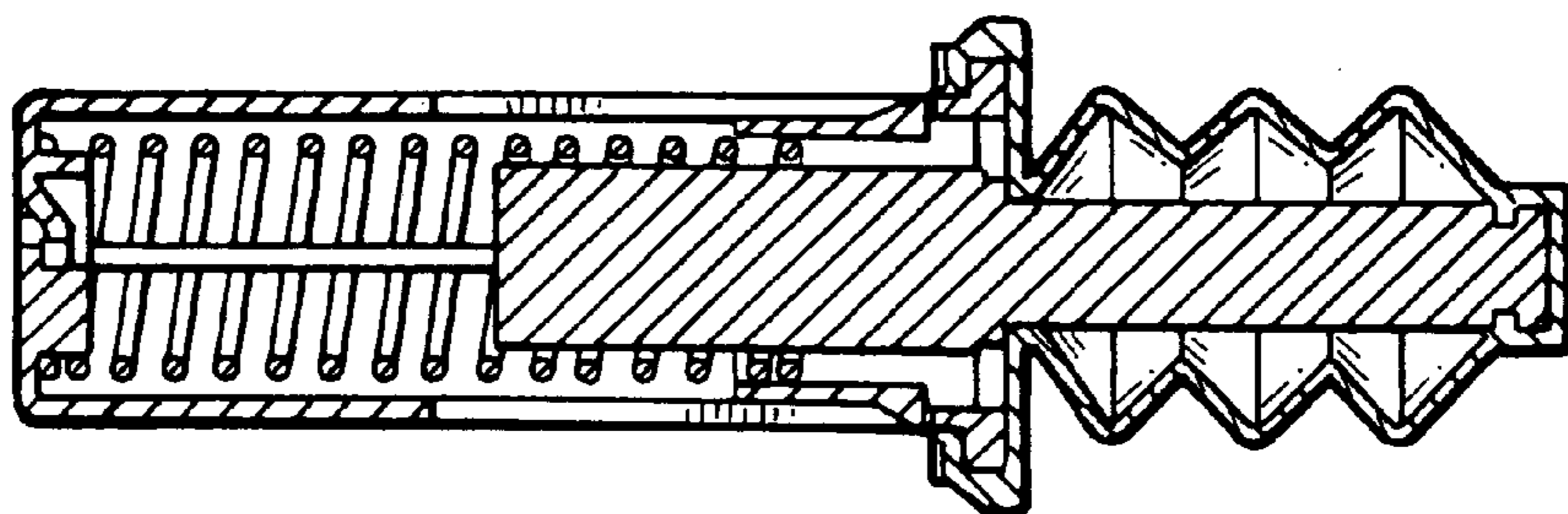


FIG. 7