



US00D488115S

(12) **United States Design Patent**
Trunk et al.

(10) **Patent No.:** **US D488,115 S**

(45) **Date of Patent:** **** Apr. 6, 2004**

(54) **ARTICULATED GAP COVER FOR PICKUP TAILGATE**

D413,297 S * 8/1999 Quinn D12/196
D439,133 S * 3/2001 Hoyland D8/339

(76) Inventors: **John M. Trunk**, P.O. Box 1257,
Pleasant Valley, NY (US) 12569;
Adrienne R. Trunk, P.O. Box 1257,
Pleasant Valley, NY (US) 12569

* cited by examiner

Primary Examiner—Melody N. Brown
(74) *Attorney, Agent, or Firm*—Donald R. Schoonover

(**) Term: **14 Years**

(57) **CLAIM**

The ornamental design for an articulated gap cover for pickup tailgate, as shown and described.

(21) Appl. No.: **29/176,387**

(22) Filed: **Feb. 24, 2003**

DESCRIPTION

(51) **LOC (7) Cl.** **12-16**

(52) **U.S. Cl.** **D12/196**

(58) **Field of Search** D12/196, 93, 98;
296/50, 57.1, 26, 26.09, 180.1, 37.6

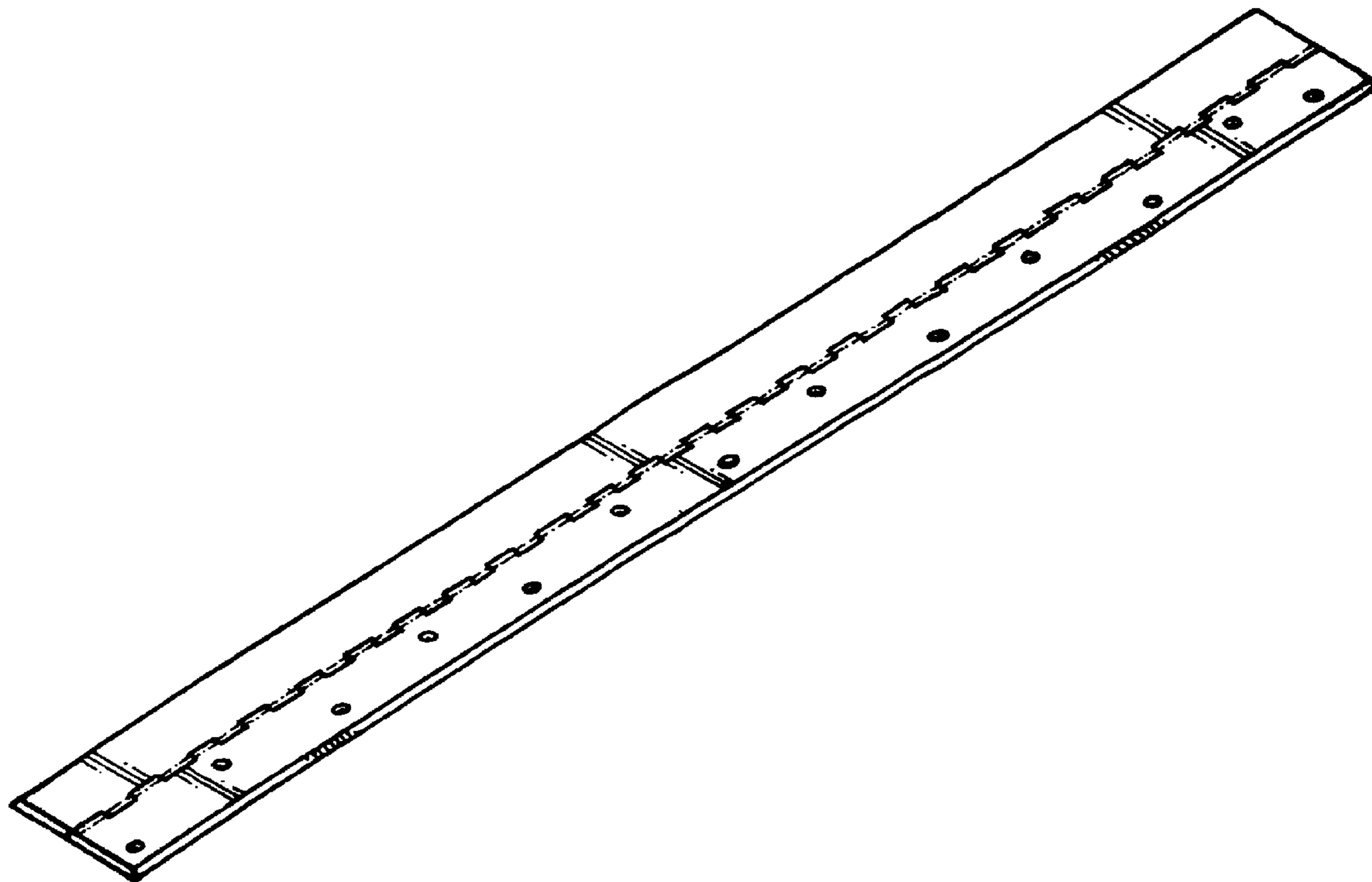
FIG. 1 is a perspective view of an articulated gap cover for pickup tailgate showing our new design;
FIG. 2 is a side elevational view thereof, the elevational view of the opposing side being identical thereto;
FIG. 3 is an end elevational view thereof, the elevational view of the opposing end being identical thereto;
FIG. 4 is a top plan view thereof;
FIG. 5 is a bottom plan view thereof; and,
FIG. 6 is a reduced perspective view showing the articulated gap cover for pickup tailgate in use; the broken lines depict environmental structure for illustrative purposes only and form no part of the claimed design.

(56) **References Cited**

U.S. PATENT DOCUMENTS

4,443,905 A	4/1984	Kopp
4,531,773 A	7/1985	Smith
4,968,084 A	11/1990	Asher et al.
5,340,184 A	8/1994	Conrado
5,533,771 A	7/1996	Taylor et al.
D374,854 S	10/1996	Little et al.
5,904,391 A	5/1999	Liljenquest et al.

1 Claim, 3 Drawing Sheets



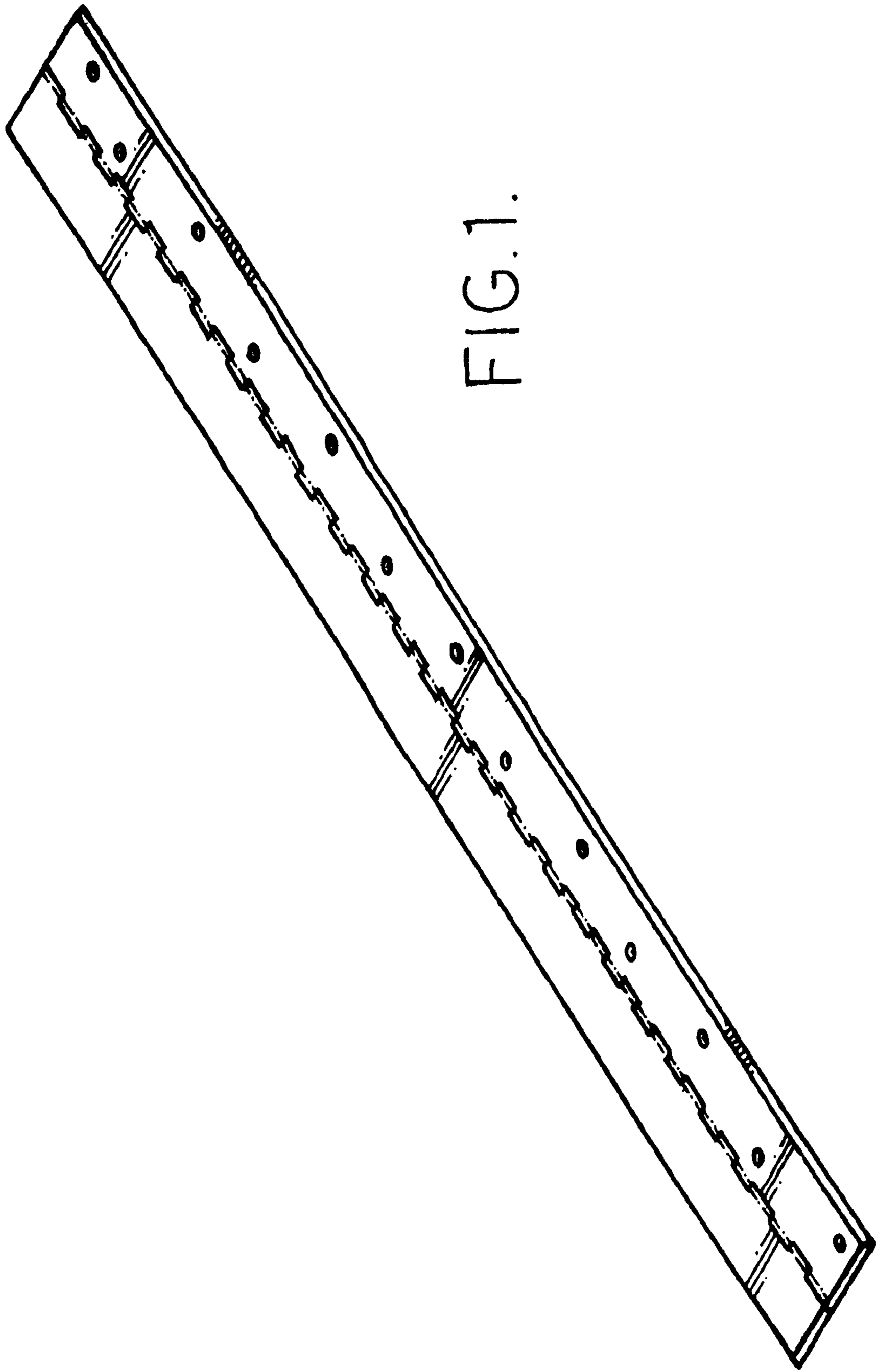


FIG. 1.



FIG. 2.

FIG. 3.

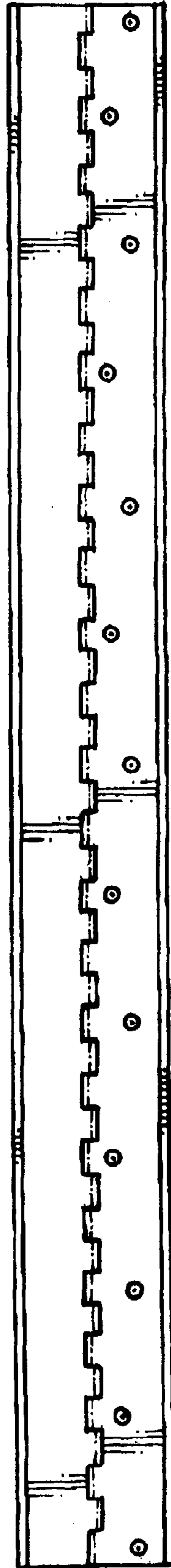


FIG. 4.

FIG. 5.

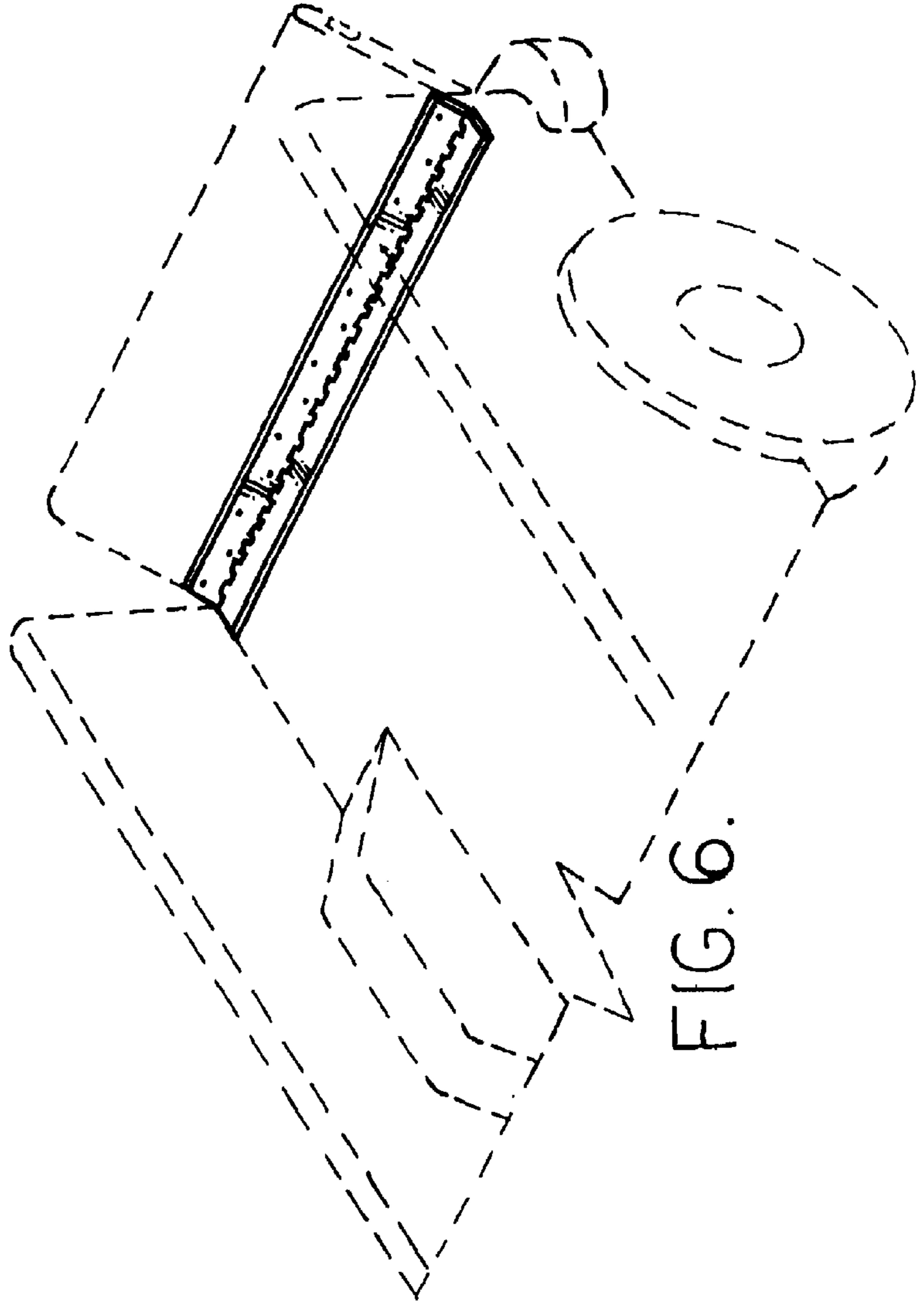
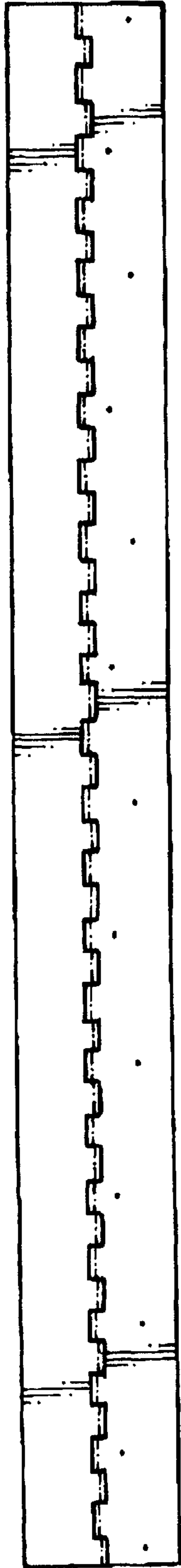


FIG. 6.