



US00D488110S

(12) **United States Design Patent**
Borysenko

(10) **Patent No.:** **US D488,110 S**

(45) **Date of Patent:** **** Apr. 6, 2004**

(54) **TRAILER SECURITY ACCESSORY**

(75) **Inventor:** **Anthony C. Borysenko**, Port Charlotte,
FL (US)

(73) **Assignee:** **Chateau Products, Inc.**, Bradenton, FL
(US)

(**) **Term:** **14 Years**

(21) **Appl. No.:** **29/178,287**

(22) **Filed:** **Mar. 24, 2003**

(51) **LOC (7) Cl.** **12-16**

(52) **U.S. Cl.** **D12/162**

(58) **Field of Search** D12/162, 400;
280/415.1, 416.1, 511, 490.1, 486, 483,
485, 493-495, 478.1, 416.4

(56) **References Cited**

U.S. PATENT DOCUMENTS

2,872,213	A	*	2/1959	Hosford	280/415.1
3,801,134	A	*	4/1974	Dees	280/415.1
3,922,006	A	*	11/1975	Borges	280/415.1
4,232,877	A	*	11/1980	Milton	280/415.1
4,697,818	A	*	10/1987	Moore	280/415.1
4,889,356	A	*	12/1989	Morris	280/416.1
5,044,652	A	*	9/1991	Brisson	280/416.1
5,135,247	A	*	8/1992	Alfaro et al.	280/415.1

5,265,899	A	*	11/1993	Harrison	280/416.1
5,322,313	A	*	6/1994	Schroeder	280/416.1
5,351,982	A	*	10/1994	Walrath	280/416.1
D375,065	S	*	10/1996	Duvernay et al.	D12/162
5,560,630	A	*	10/1996	Phares et al.	280/416.1
D379,608	S	*	6/1997	Rodriguez	D12/162
5,890,727	A	*	4/1999	May	280/416.1
D431,504	S	*	10/2000	Hoska	D12/162

* cited by examiner

Primary Examiner—Stacia Cadmus

(74) *Attorney, Agent, or Firm*—Gifford, Krass, Groh,
Sprinkle, Anderson & Citkowski, P.C.

(57) **CLAIM**

The ornamental design of a trailer security accessory, as shown and described.

DESCRIPTION

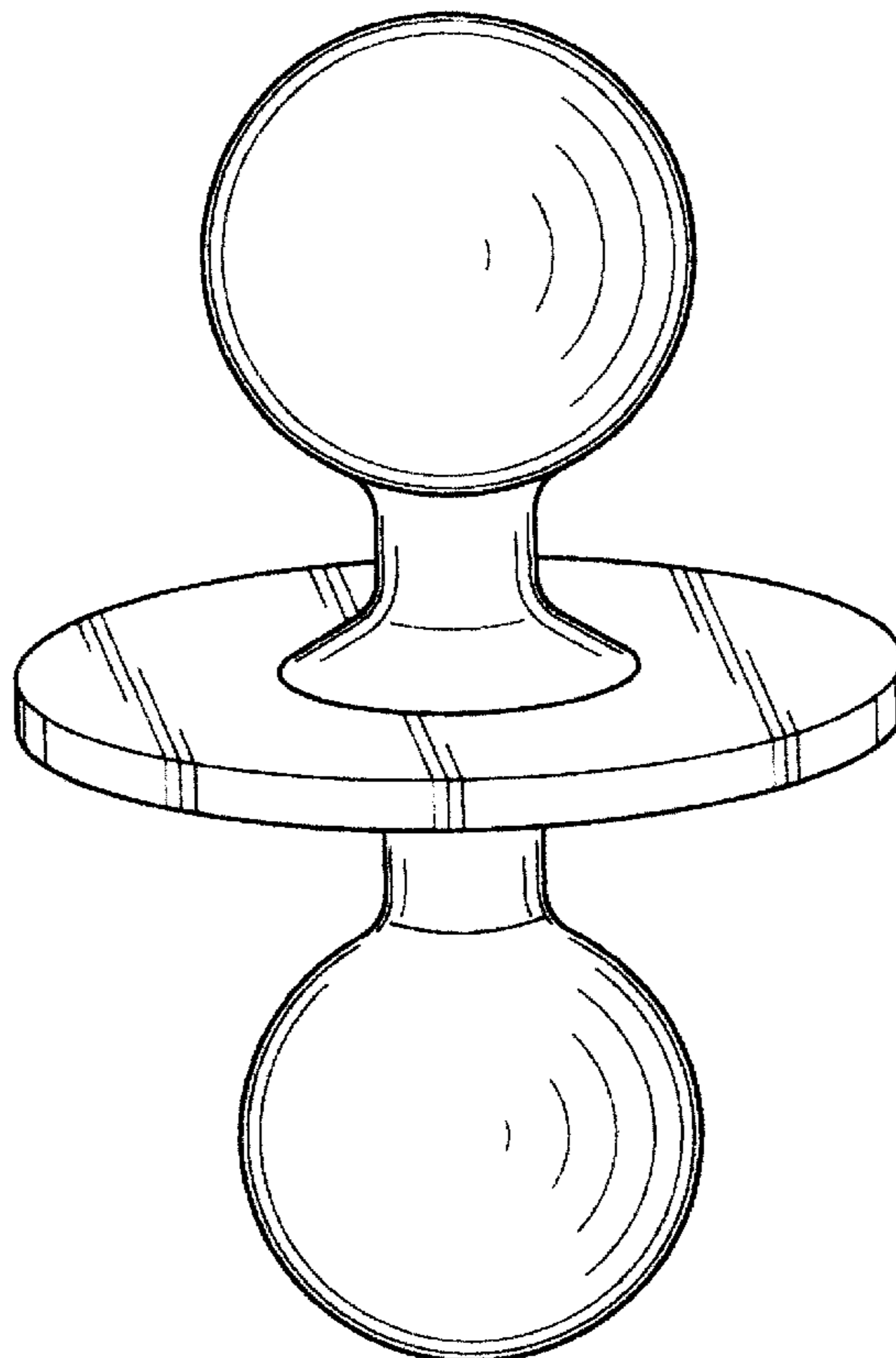
FIG. 1 is a perspective view of a trailer security accessory showing my new design, the accessory being symmetrical about its vertical axis;

FIG. 2 is a side view of the trailer security accessory, it being understood that all side are identical;

FIG. 3 is a top plan view of the trailer security accessory; and,

FIG. 4 is a bottom plan view of the trailer security accessory.

1 Claim, 2 Drawing Sheets



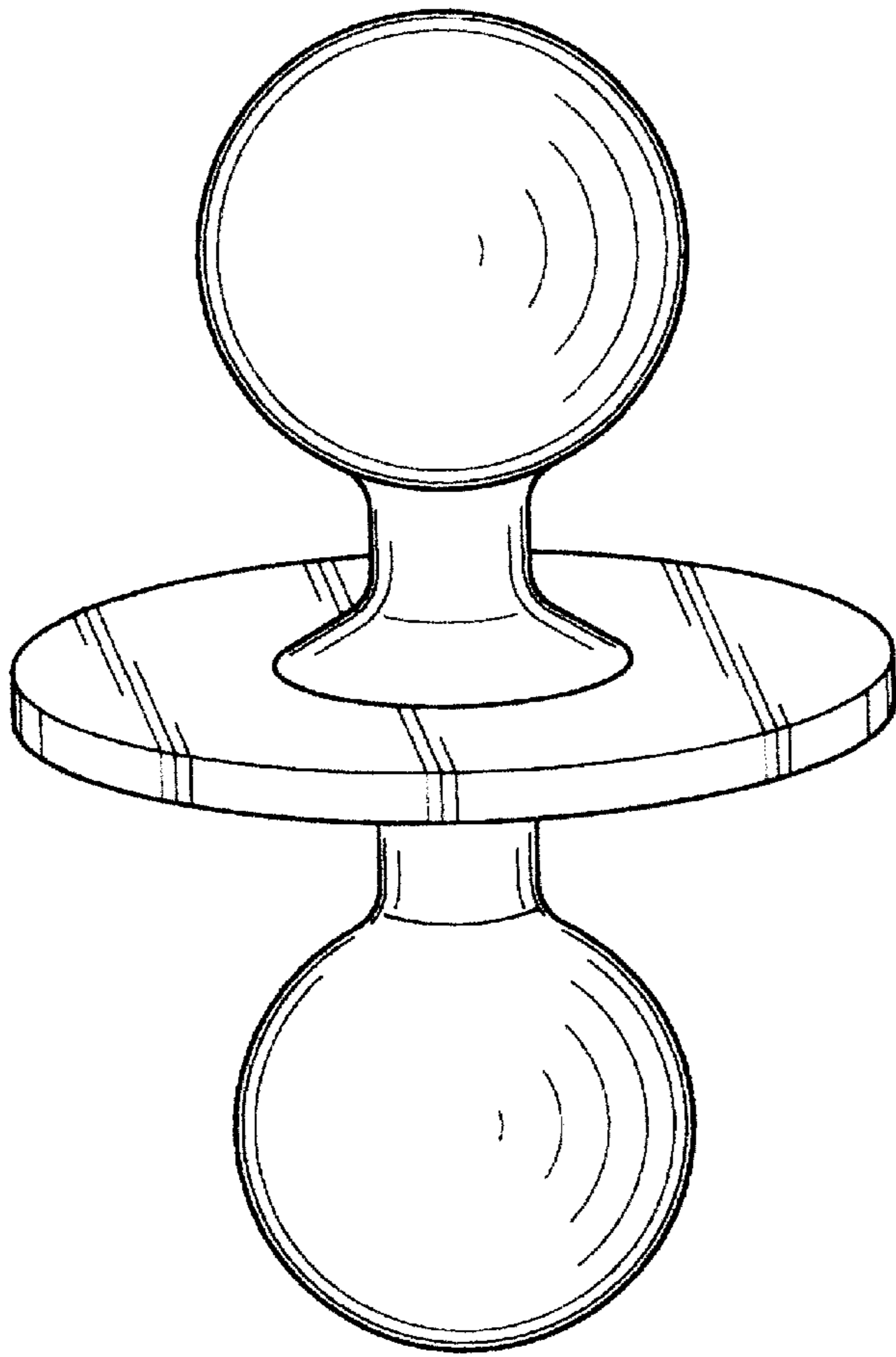


Fig-1

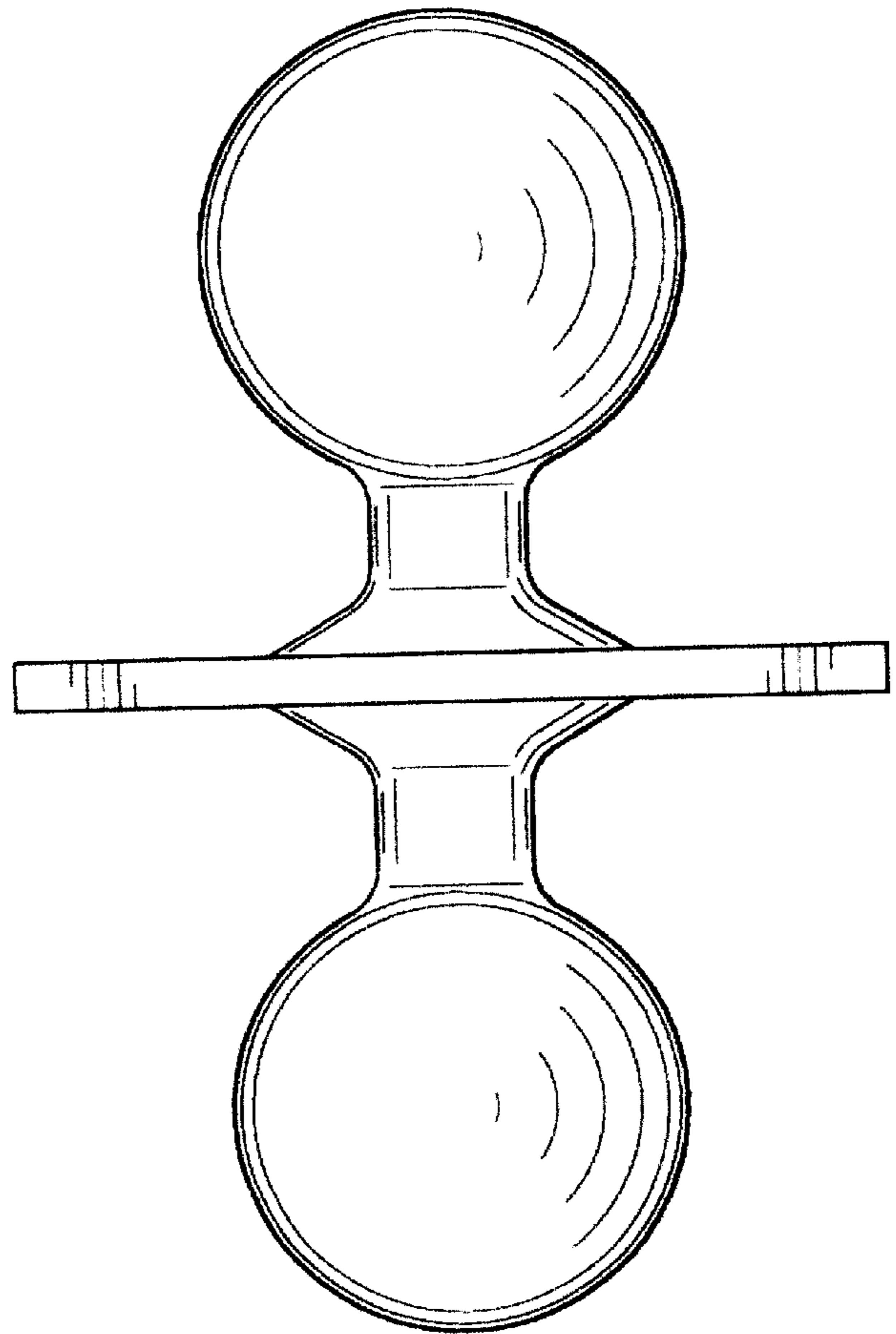


Fig-2

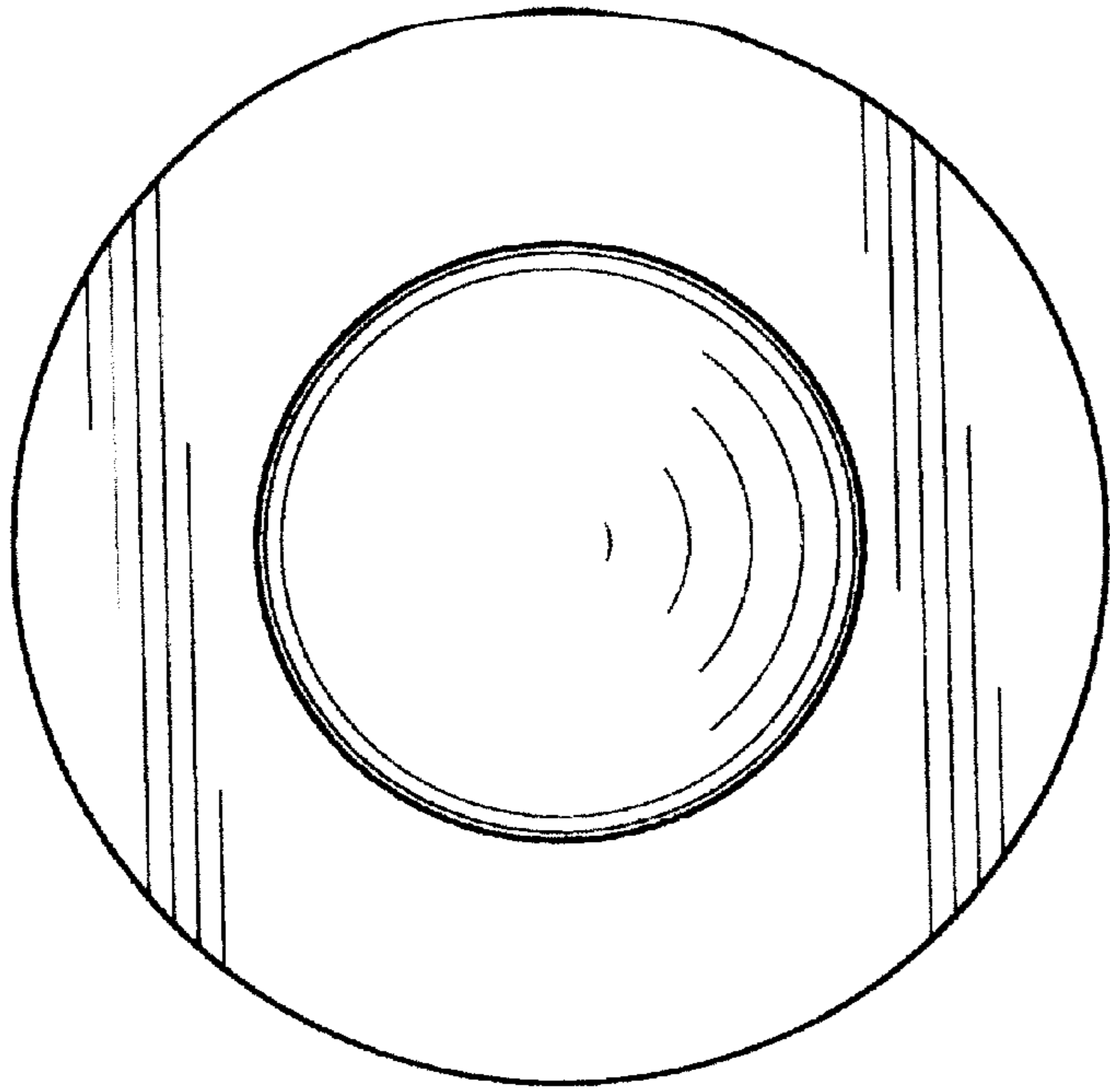


Fig-3

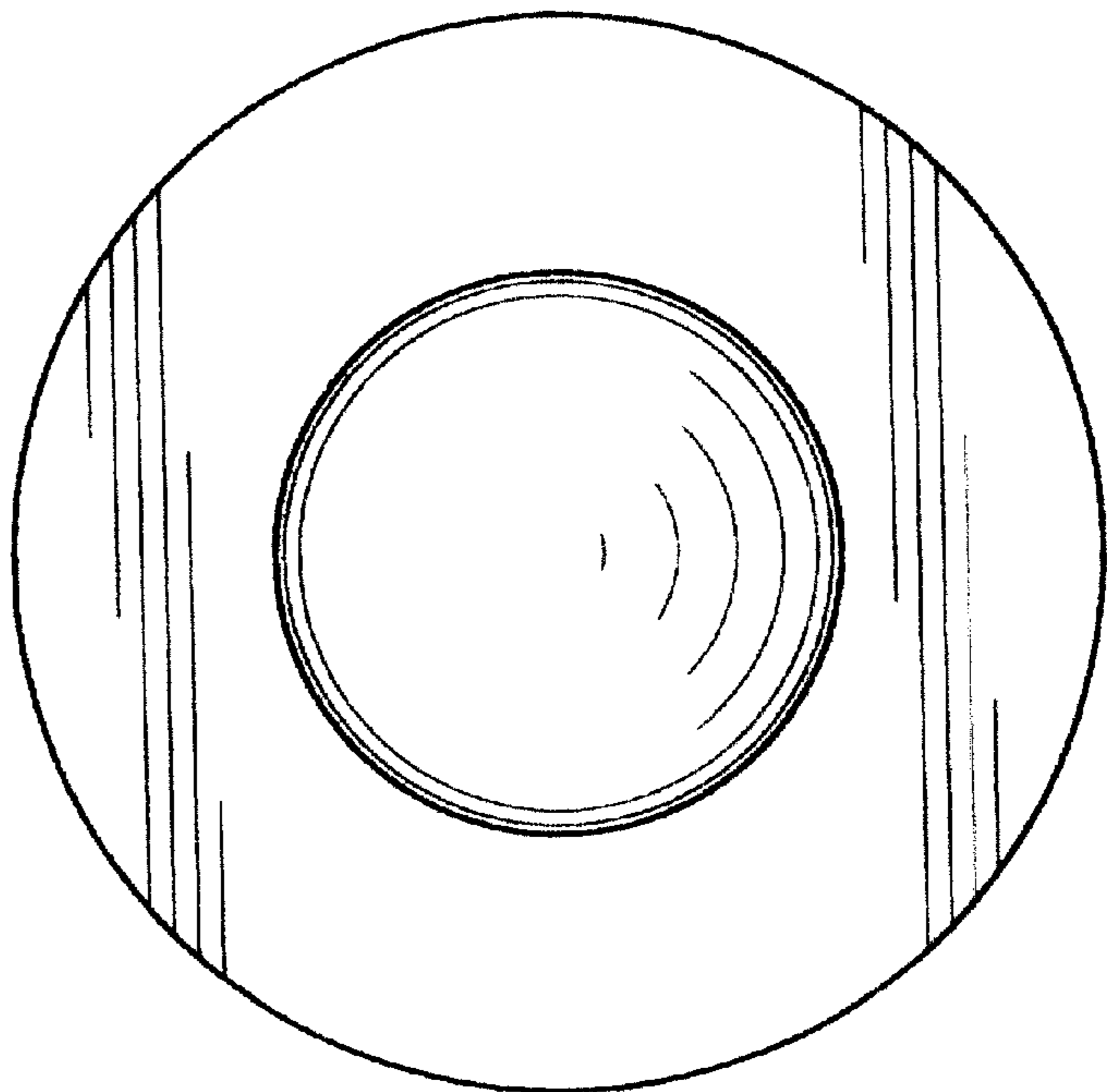


Fig-4