



US00D488098S

(12) **United States Design Patent**
Cadotte et al.

(10) **Patent No.:** **US D488,098 S**

(45) **Date of Patent:** **** Apr. 6, 2004**

(54) **SIDE PANEL FOR A SNOWMOBILE**

(75) Inventors: **Germain Cadotte**, St-Élle d'Orford (CA); **Bruno Girouard**, Montreal (CA); **Emmanuel Rius**, Maison Laffitte (FR)

(73) Assignee: **Bombardier Recreational Products Inc.**, St-Bruno (CA)

(**) Term: **14 Years**

(21) Appl. No.: **29/182,606**

(22) Filed: **May 30, 2003**

Related U.S. Application Data

(60) Division of application No. 29/160,836, filed on May 20, 2002, now Pat. No. Des. 479,814, which is a continuation-in-part of application No. 29/139,885, filed on Apr. 9, 2001, now Pat. No. Des. 479,813.

(51) **LOC (7) Cl.** **12-14**

(52) **U.S. Cl.** **D12/7**

(58) **Field of Search** D12/7; 180/182, 180/184-186, 190, 193-194; 280/845; D21/533

(56) **References Cited**

U.S. PATENT DOCUMENTS

- D228,754 S 10/1973 Mango
- D239,164 S 3/1976 Smith et al.
- D264,830 S 6/1982 Ishiyama
- D273,185 S * 3/1984 Ishiyama D12/7
- D278,892 S * 5/1985 Kobayashi D12/7
- 4,779,695 A * 10/1988 Yasui 180/190

- D314,535 S 2/1991 Matsue
- D342,044 S * 12/1993 Hornai D12/7
- D403,273 S * 12/1998 Cadotte et al. D12/7
- D438,821 S 3/2001 Cadotte et al.
- 6,234,263 B1 5/2001 Boivin et al.
- 6,234,286 B1 5/2001 Feldberg
- 6,371,233 B2 * 4/2002 Ishii 180/182

OTHER PUBLICATIONS

www.yamaha-motor.com 2003 RX-1 photo gallery w/rear perspective. On net.

* cited by examiner

Primary Examiner—Nelson C. Holtje
(74) *Attorney, Agent, or Firm*—BRP Legal Services; Steward Strickland

(57) **CLAIM**

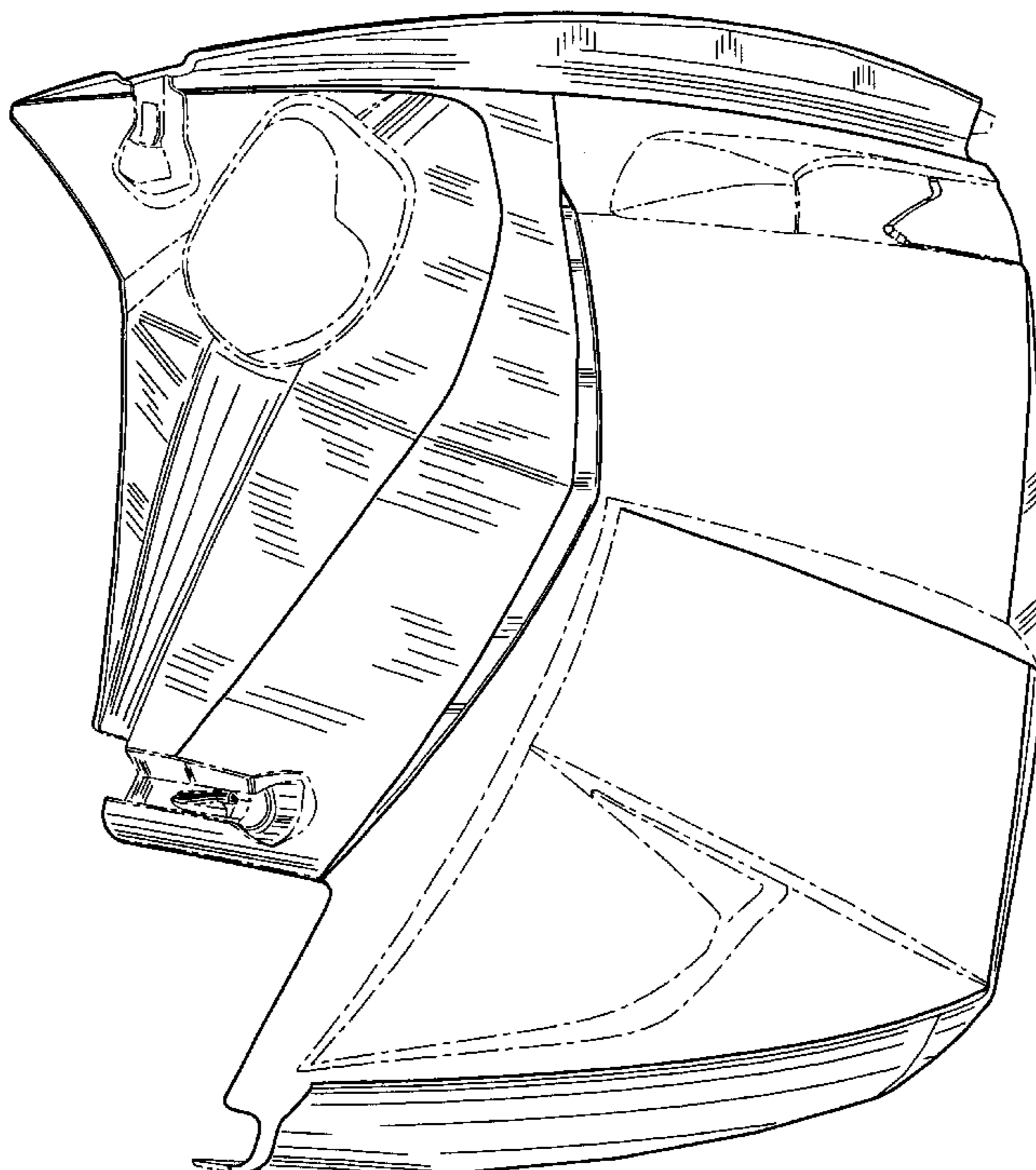
The ornamental design for a side panel for a snowmobile, as shown and described.

DESCRIPTION

FIG. 1 is perspective illustration, from the front and left side, of a side panel for a snowmobile according to our design; FIG. 2 is a left side view thereof; FIG. 3 is a rear view thereof; FIG. 4 is a front view thereof; FIG. 5 is a top view thereof; and, FIG. 6 is a bottom view thereof.

Throughout the Figures, broken lines showing structure are for illustrative purposes only and form no part of the claimed design.

1 Claim, 6 Drawing Sheets



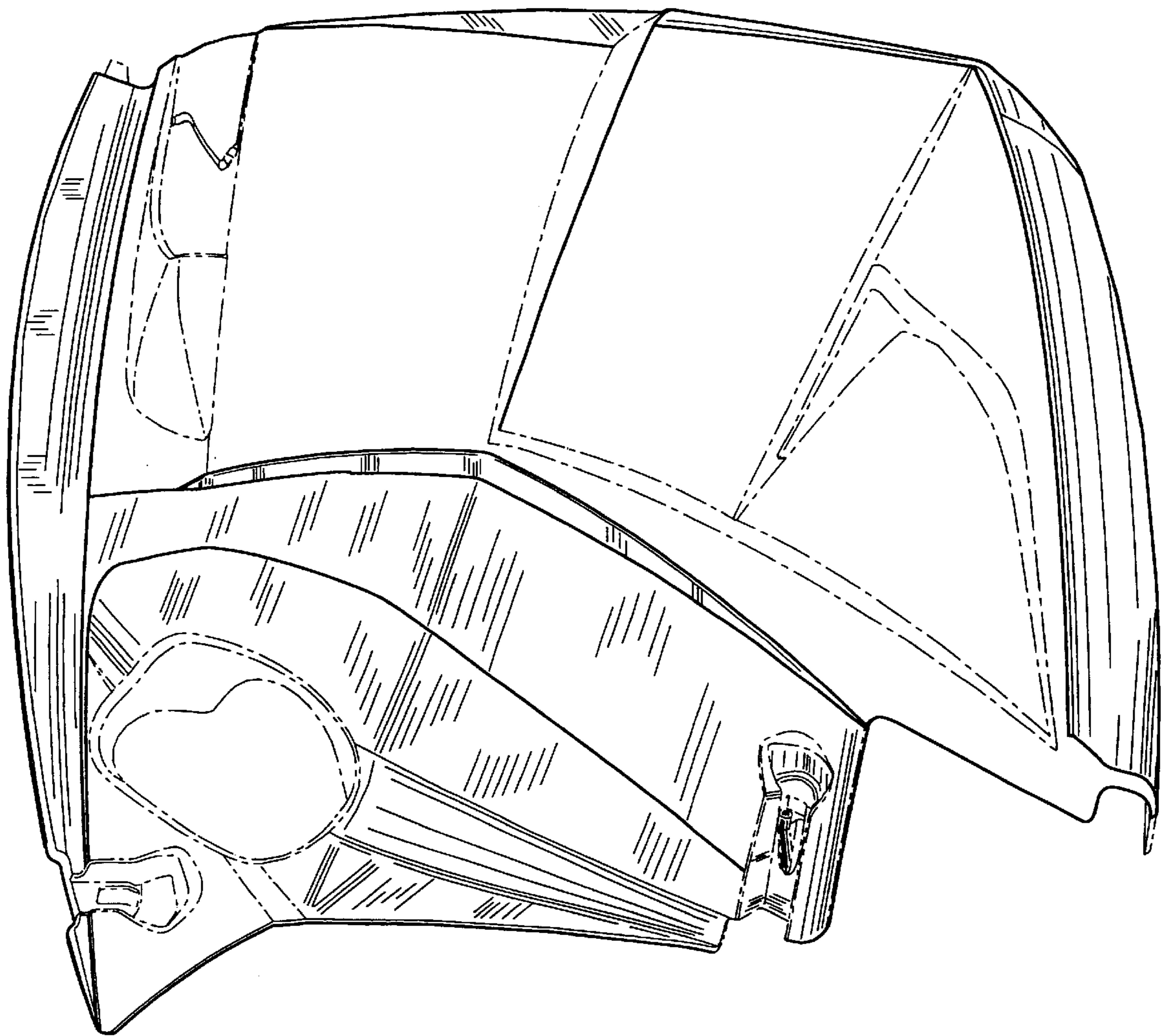


FIG. 1

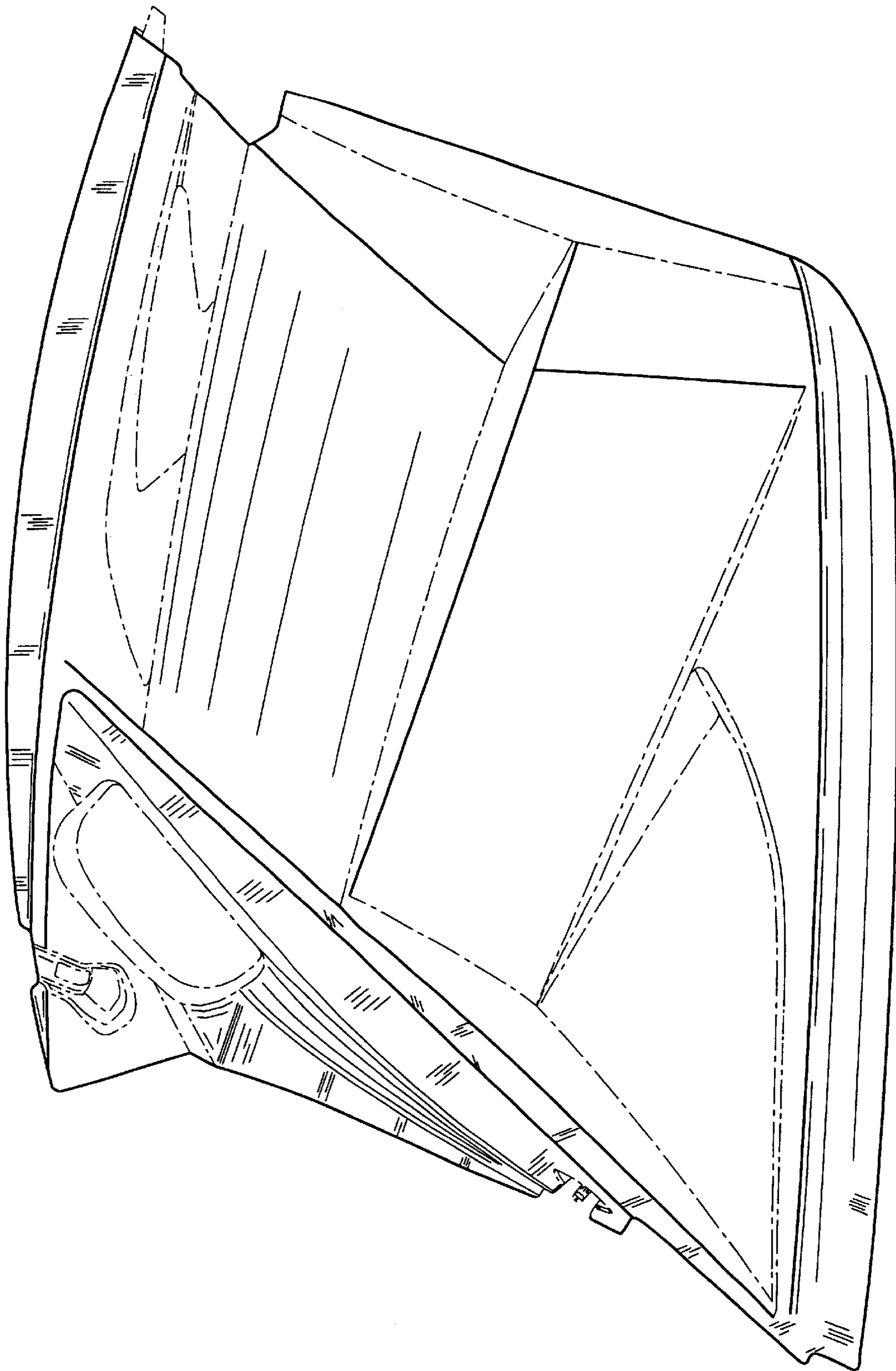


FIG. 2

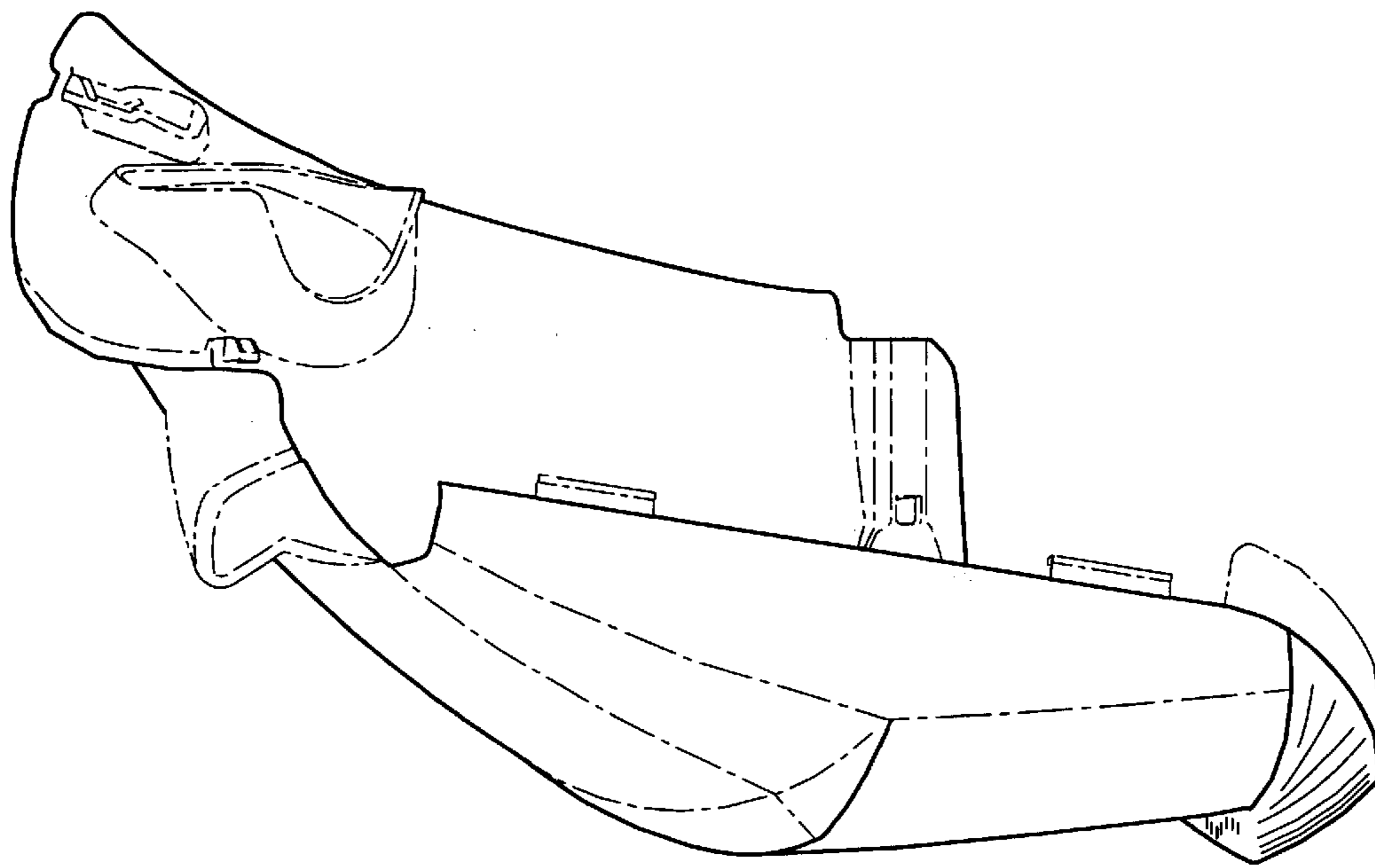


FIG. 3

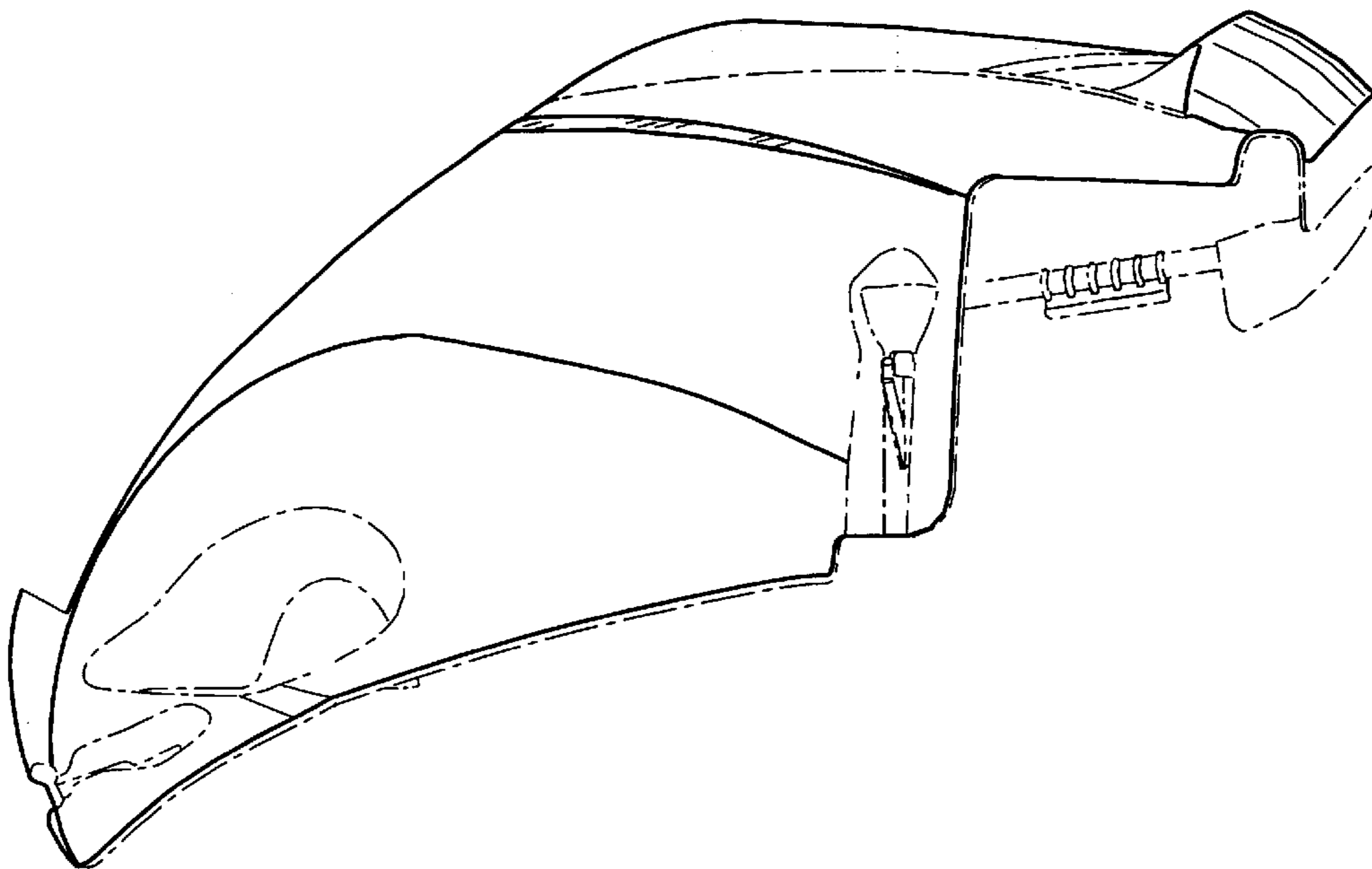


FIG. 4

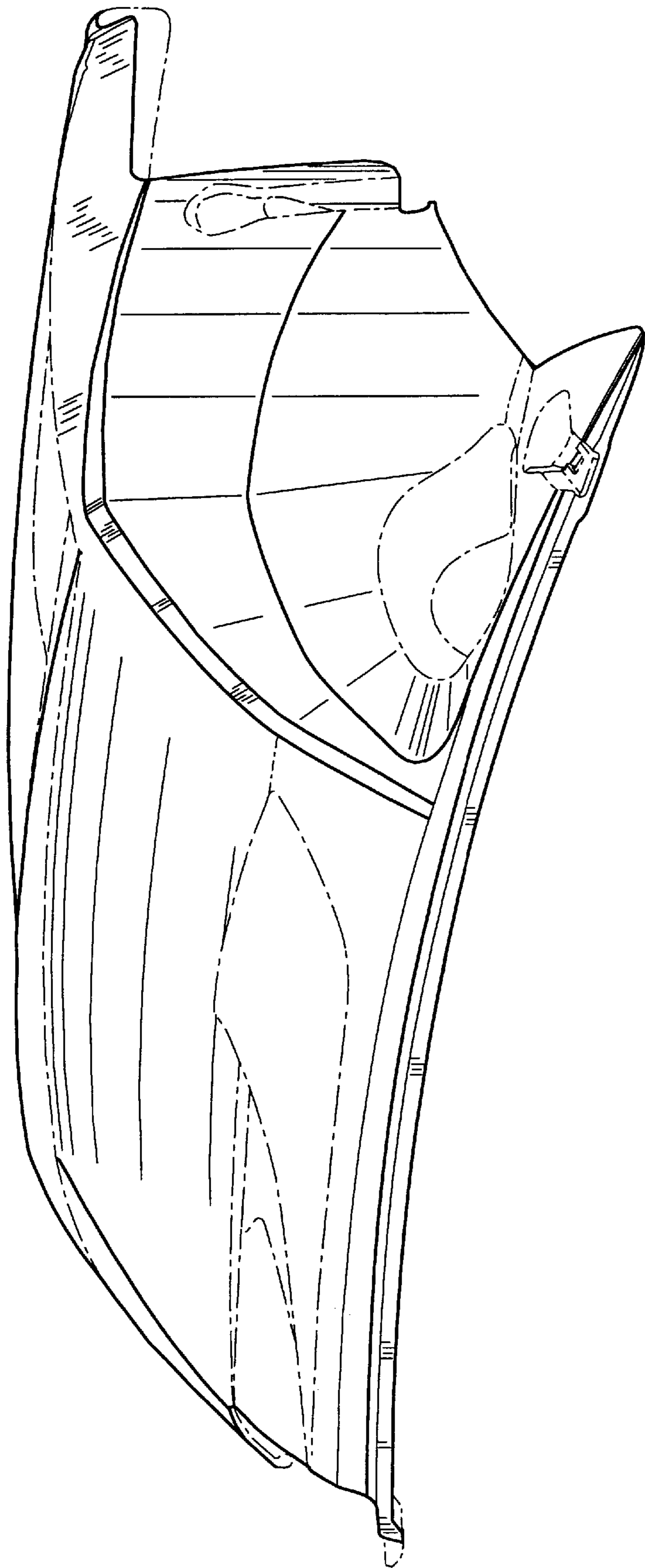


FIG. 5

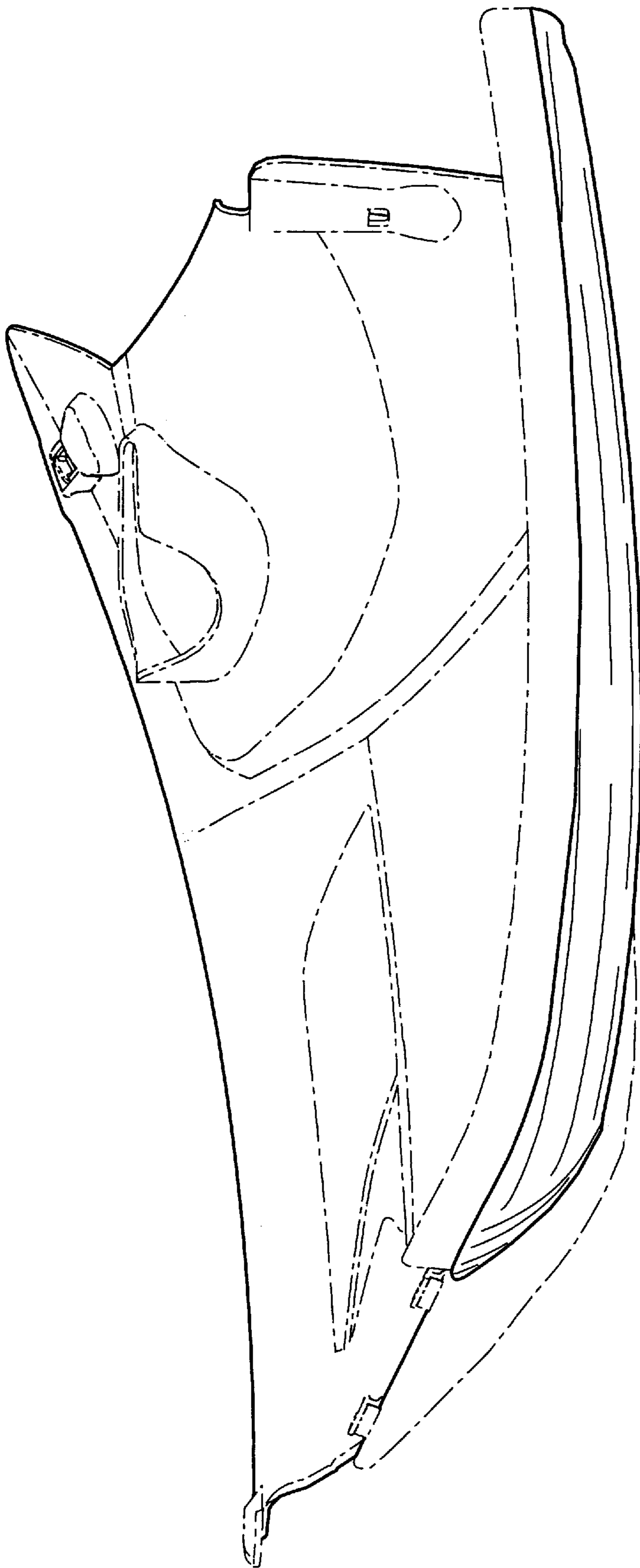


FIG. 6