



US00D488088S

(12) **United States Design Patent**
Vartanian

(10) **Patent No.:** **US D488,088 S**

(45) **Date of Patent:** **** Apr. 6, 2004**

(54) **JEWELRY SETTING**

(76) Inventor: **Lena Vartanian**, Av. Brigadeiro Faria
Lima 1912, Conj. 18i, Sao Paulo (BR),
01451-907

(**) Term: **14 Years**

(21) Appl. No.: **29/164,387**

(22) Filed: **Jul. 24, 2002**

(51) **LOC (7) Cl.** **11-01**

(52) **U.S. Cl.** **D11/91**

(58) **Field of Search** D11/89-92, 79,
D11/80, 40, 43, 75, 76, 7, 1, 8, 15-17,
22, 24-26, 28, 34, 36-39; 63/26-32, 12,
13, 14.1, 14.6, 14.7, 14.8, 14.9, 15, 15.1,
15.9, 20, 23, DIG. 1

(56) **References Cited**

U.S. PATENT DOCUMENTS

D232,653 S	*	9/1974	Hess	D11/92
D239,651 S	*	4/1976	Hess	D11/92
D334,154 S	*	3/1993	Benderly	D11/90
D423,397 S	*	4/2000	Raviv et al.	D11/91
6,442,971 B1	*	9/2002	Gurevich	63/28

* cited by examiner

Primary Examiner—Louis S. Zarfaz

Assistant Examiner—Deanne Levy

(74) *Attorney, Agent, or Firm*—Perkins, Smith & Cohen,
LLP; Jerry Cohen; Peter J. Borghetti

(57) **CLAIM**

The ornamental design for a jewelry setting, as shown and described.

DESCRIPTION

FIG. 1 is a perspective view of a jewelry setting showing my new design, used in the form of an earring, as illustrated by the broken lines;

FIG. 2 is a top plan view thereof;

FIG. 3 is a bottom plan view thereof;

FIG. 4 is a left side view thereof;

FIG. 5 is a right side view thereof;

FIG. 6 is a perspective view of the jewelry setting shown in an alternate use as a ring, illustrated by the broken lines; and,

FIG. 7 is a perspective view of the jewelry setting shown in an alternate use as a pendant, illustrated by the broken lines.

1 Claim, 2 Drawing Sheets

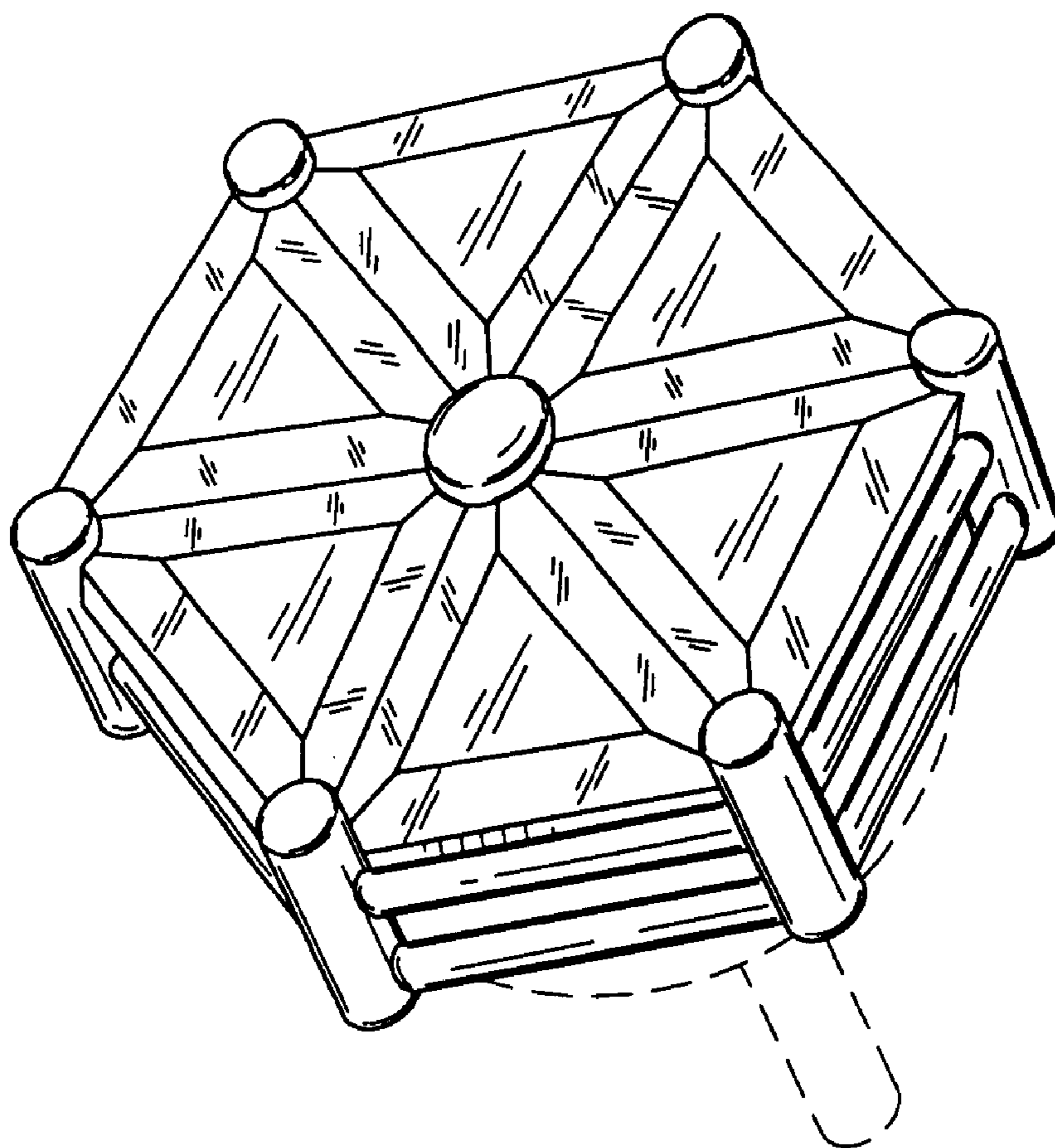


FIG. 1

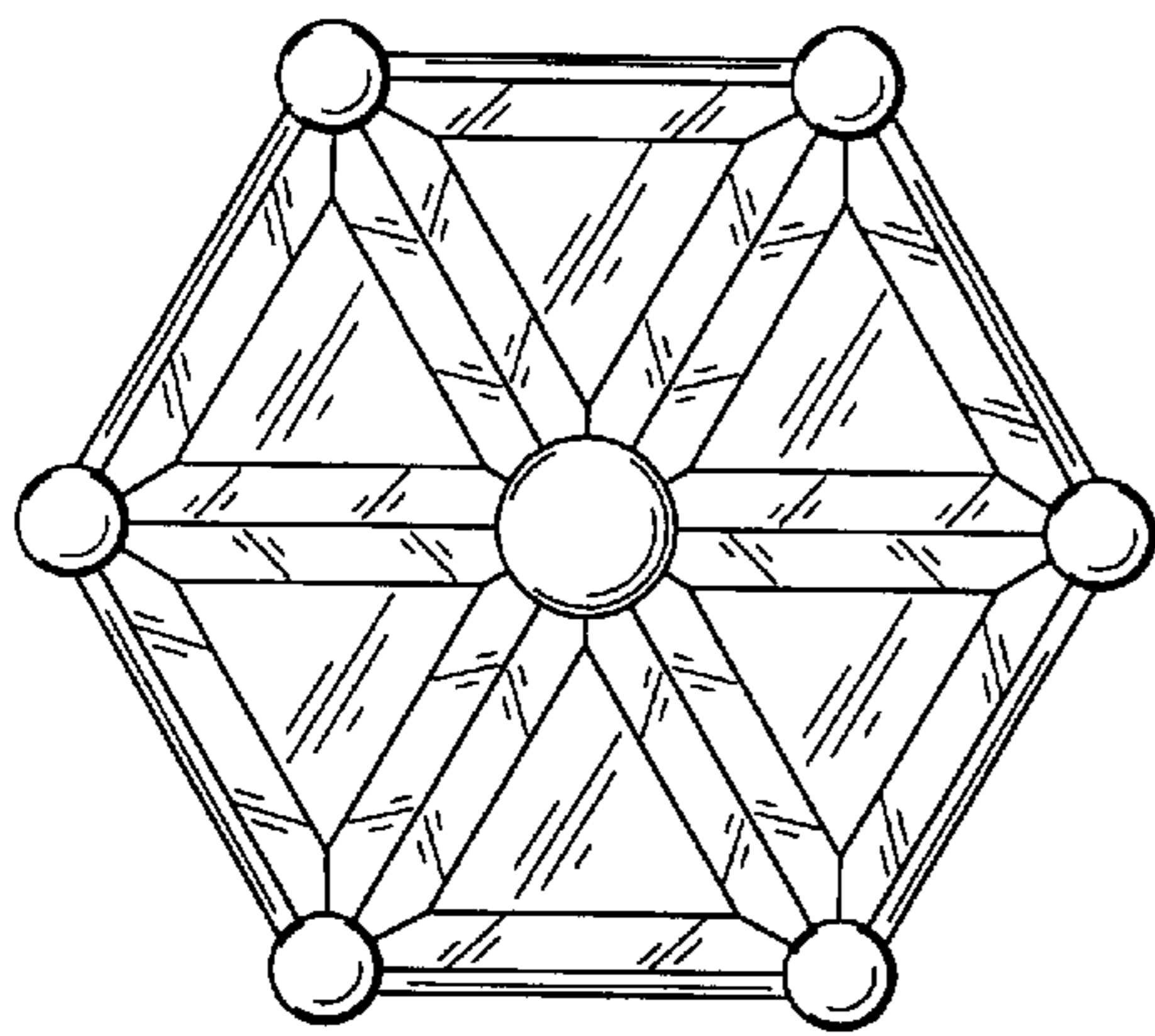
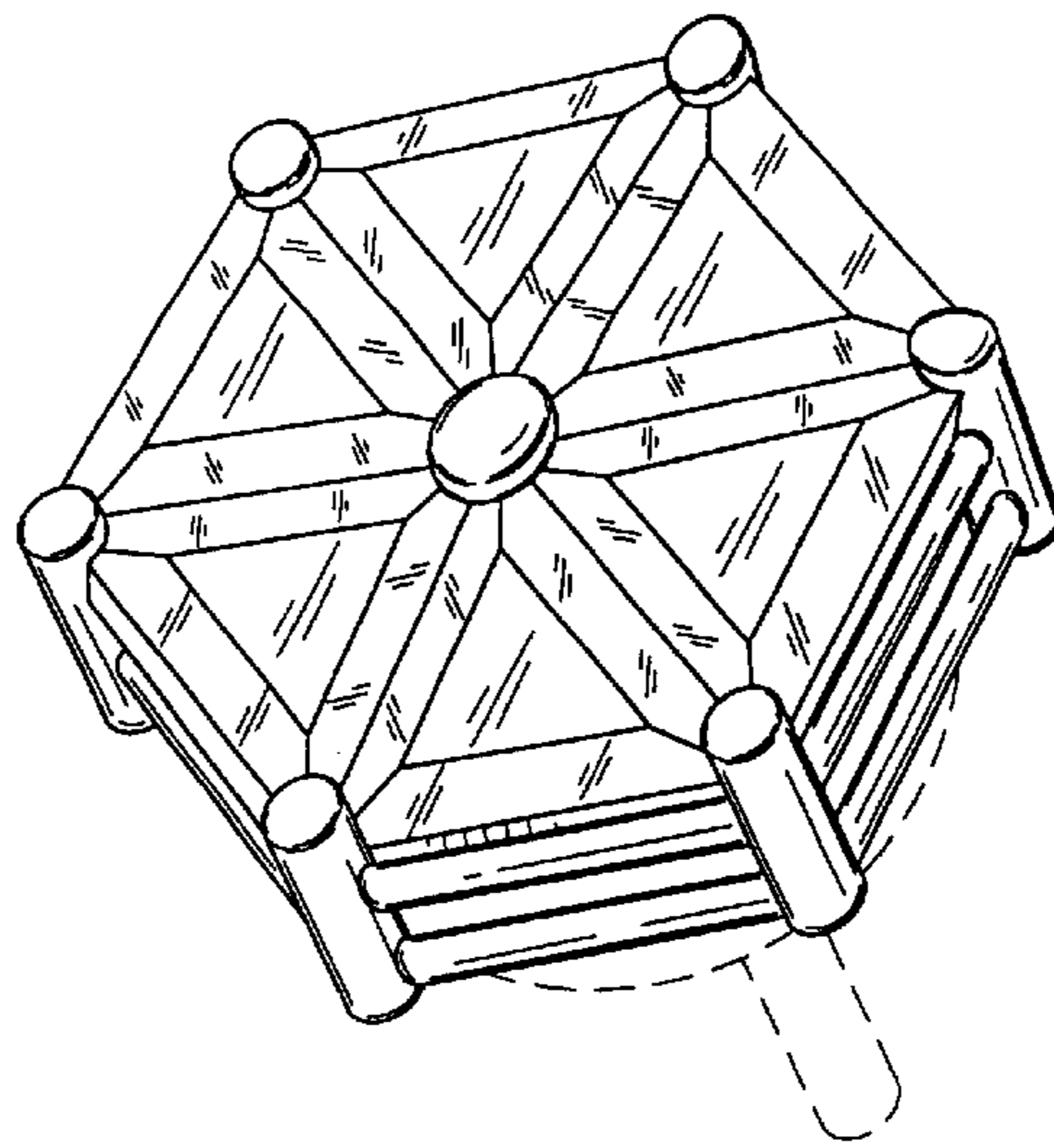


FIG. 2

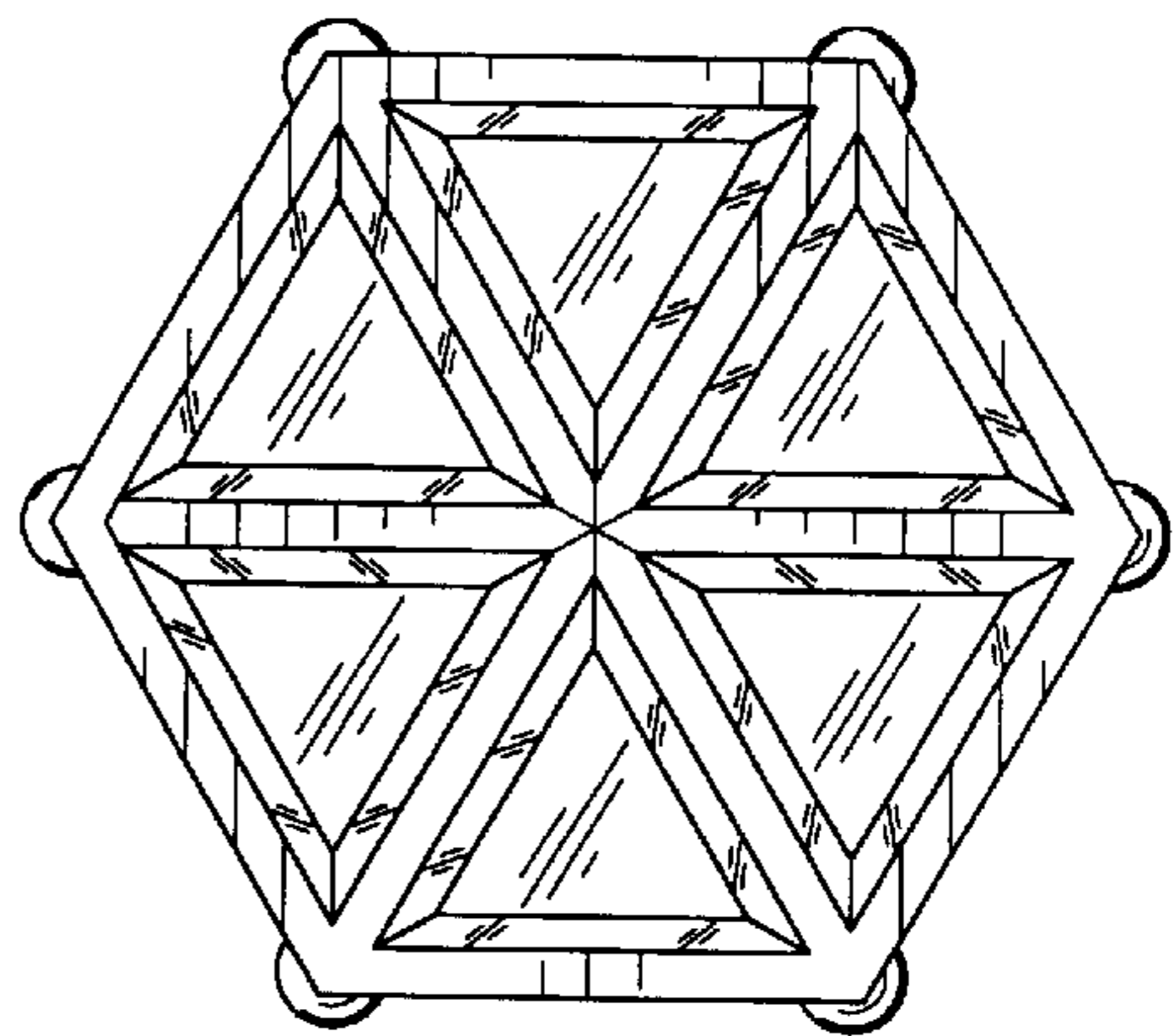


FIG. 3

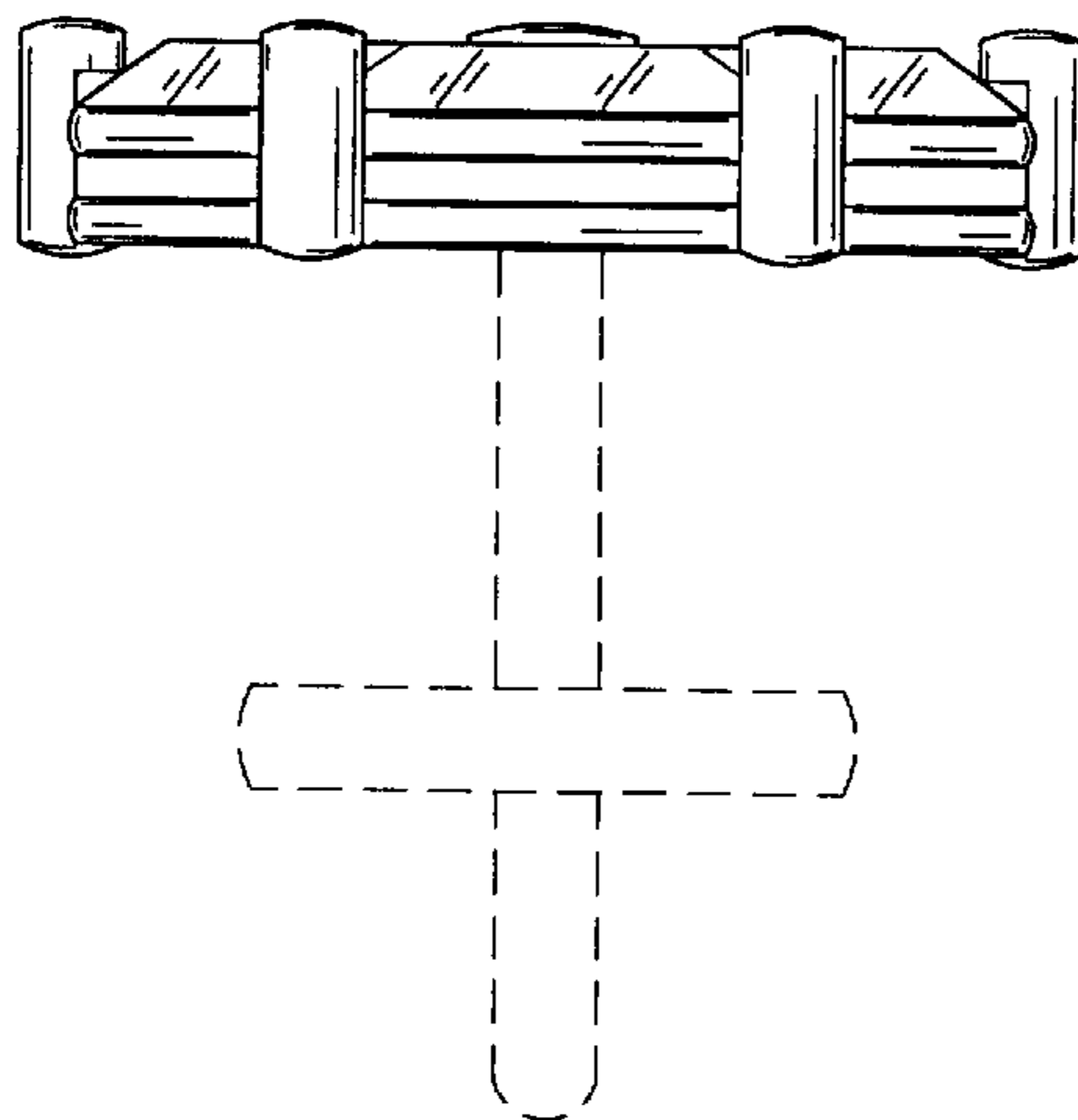


FIG. 4

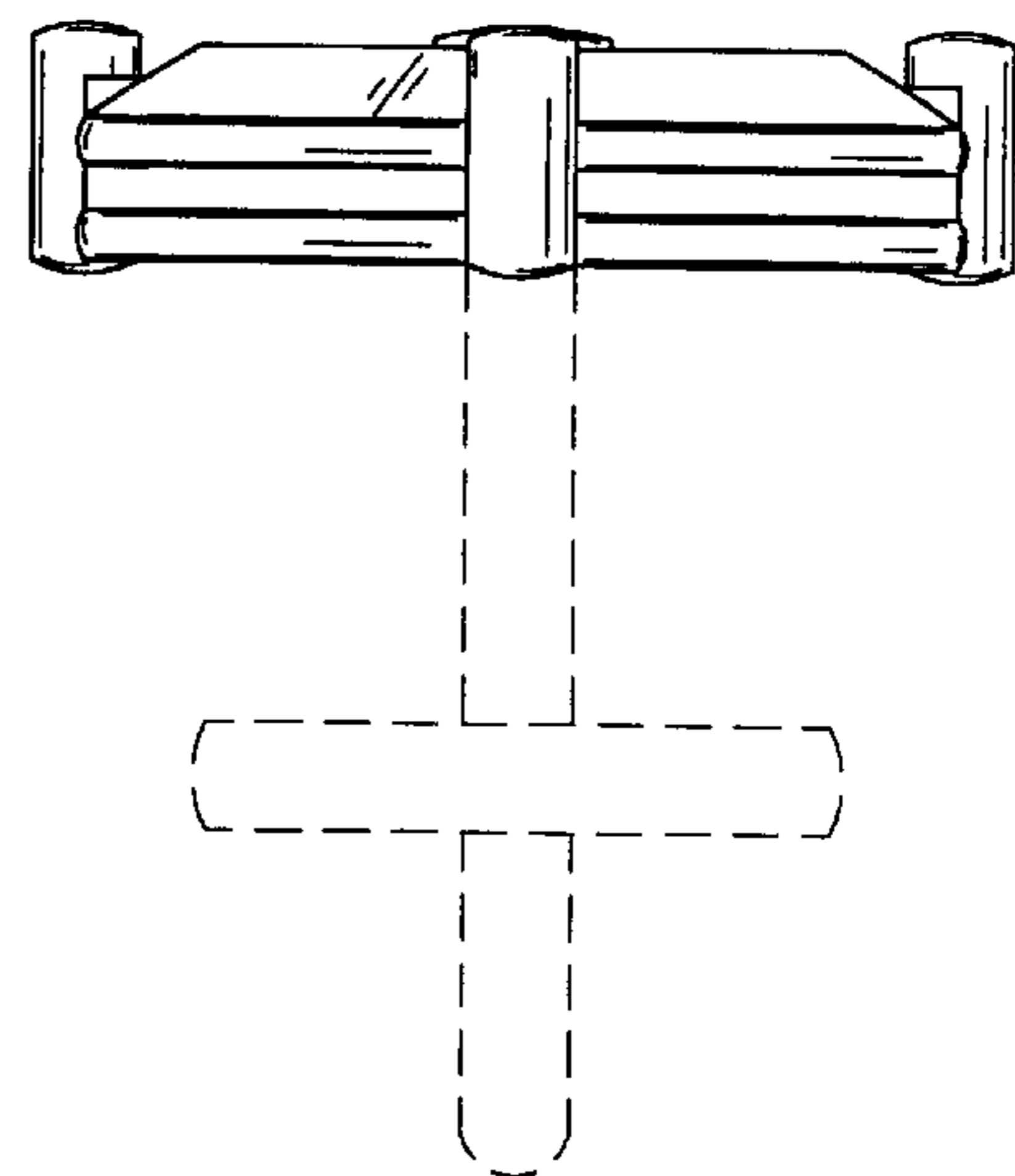


FIG. 5

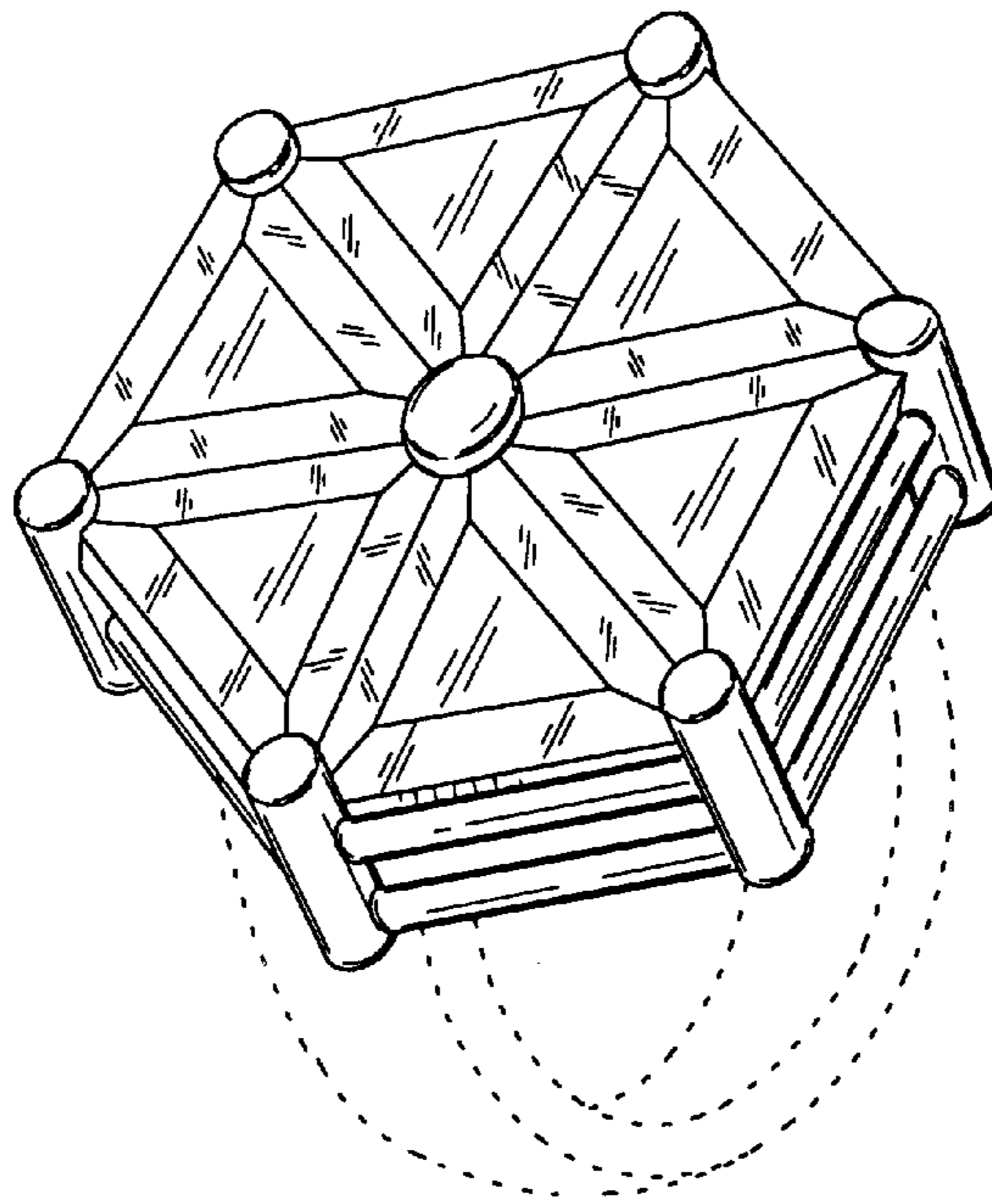


FIG. 6

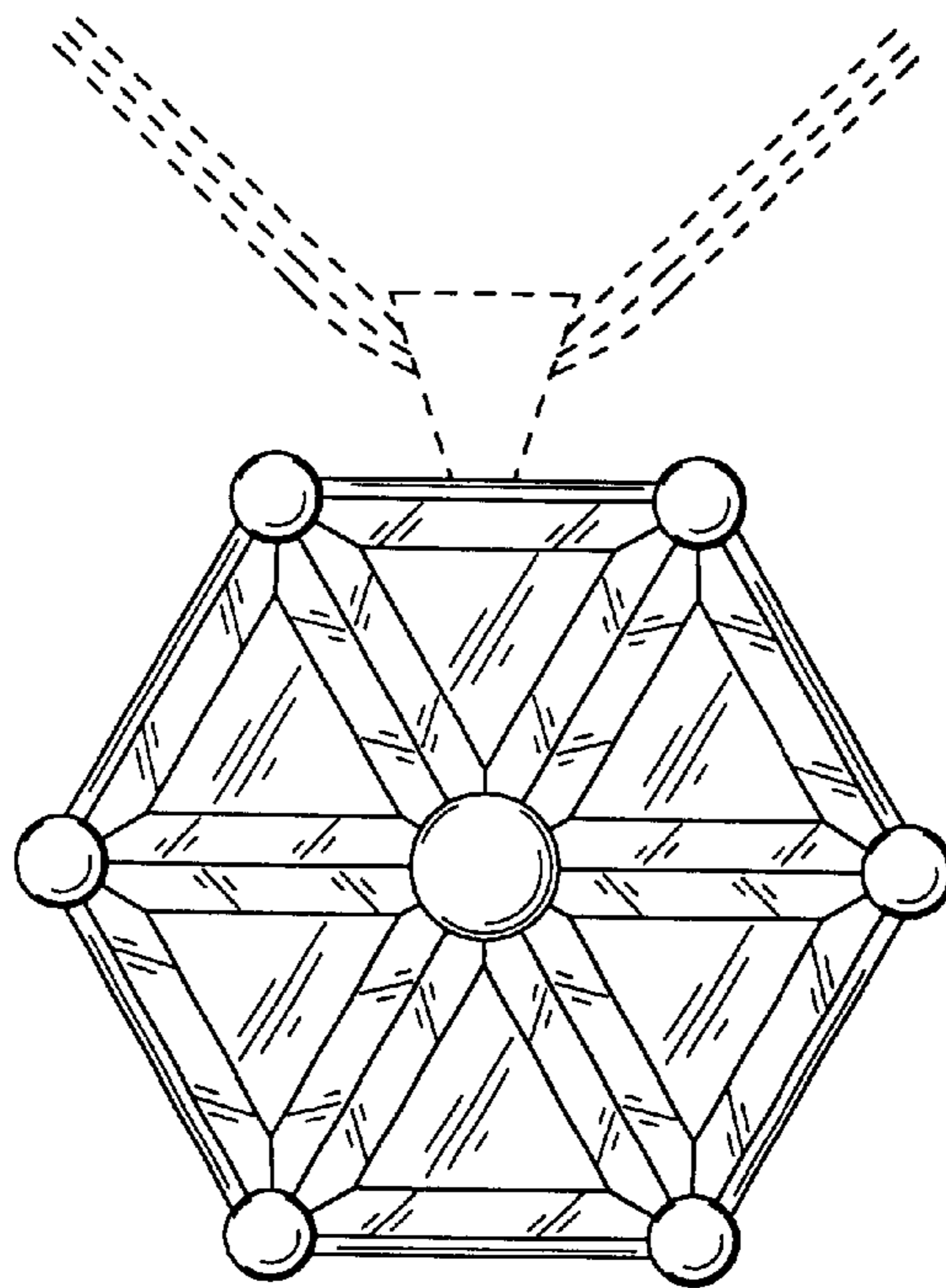


FIG. 7