



US00D488087S

(12) **United States Design Patent**
Hamm, Jr.

(10) **Patent No.:** **US D488,087 S**

(45) **Date of Patent:** **** Apr. 6, 2004**

(54) **SECURITY CLUTCH WITH BENT TRIGGERS**

D461,140 S * 8/2002 Benhamou D11/88

* cited by examiner

(75) **Inventor:** **David H. Hamm, Jr.**, Rehoboth, MA (US)

Primary Examiner—Catherine R. Oliver

(73) **Assignee:** **B. A. Ballou & Co., Inc.**, East Providence, RI (US)

(74) *Attorney, Agent, or Firm*—Barlow, Josephs & Holmes, Ltd.

(**) **Term:** **14 Years**

(57) **CLAIM**

The ornamental design for a security clutch with bent triggers, as shown and described

(21) **Appl. No.:** **29/169,685**

DESCRIPTION

(22) **Filed:** **Oct. 24, 2002**

(51) **LOC (7) Cl.** **11-01**

(52) **U.S. Cl.** **D11/88**

(58) **Field of Search** D11/1, 2, 40-88;
63/1.1, 12; 24/705, 706.9, 706.8, 658, 656,
706.6

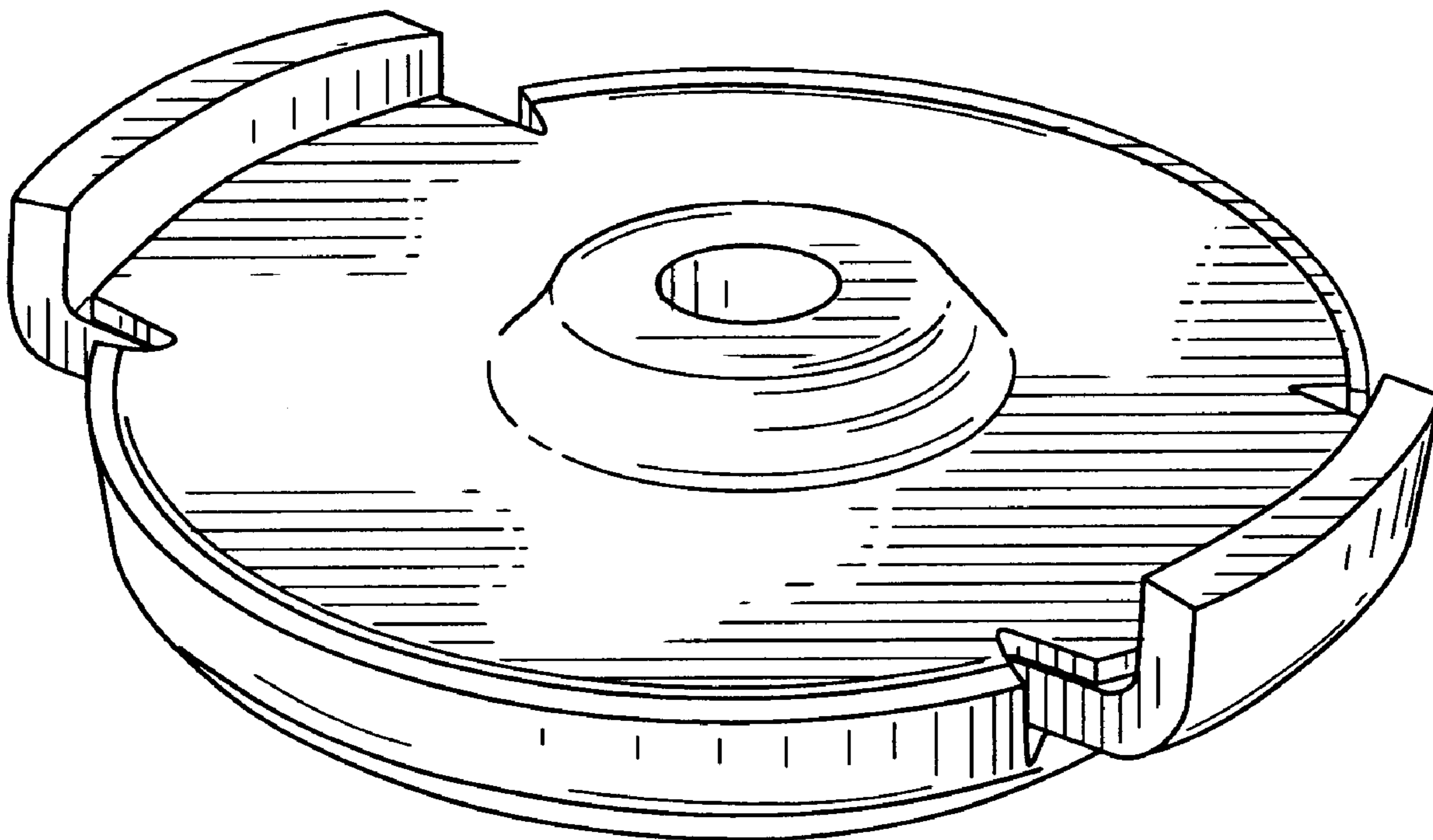
FIG. 1 is a perspective view of a security clutch with bent triggers showing my new design;
FIG. 2 is a top view thereof;
FIG. 3 is a bottom view thereof;
FIG. 4 is a front elevational view thereof; the rear elevational view being a mirror image thereof;
FIG. 5 is a right side elevational view thereof; the left side elevational view being a mirror image thereof; and,
FIG. 6 is a perspective view of a security clutch with bent triggers with a post shown installed therein in broken lines where the broken lines form no part of the present invention.

(56) **References Cited**

U.S. PATENT DOCUMENTS

- 5,309,737 A * 5/1994 Fountoulakis 63/12
- D363,683 S * 10/1995 Spurgeon et al. D11/88
- 5,669,239 A * 9/1997 Tobita 63/12

1 Claim, 6 Drawing Sheets



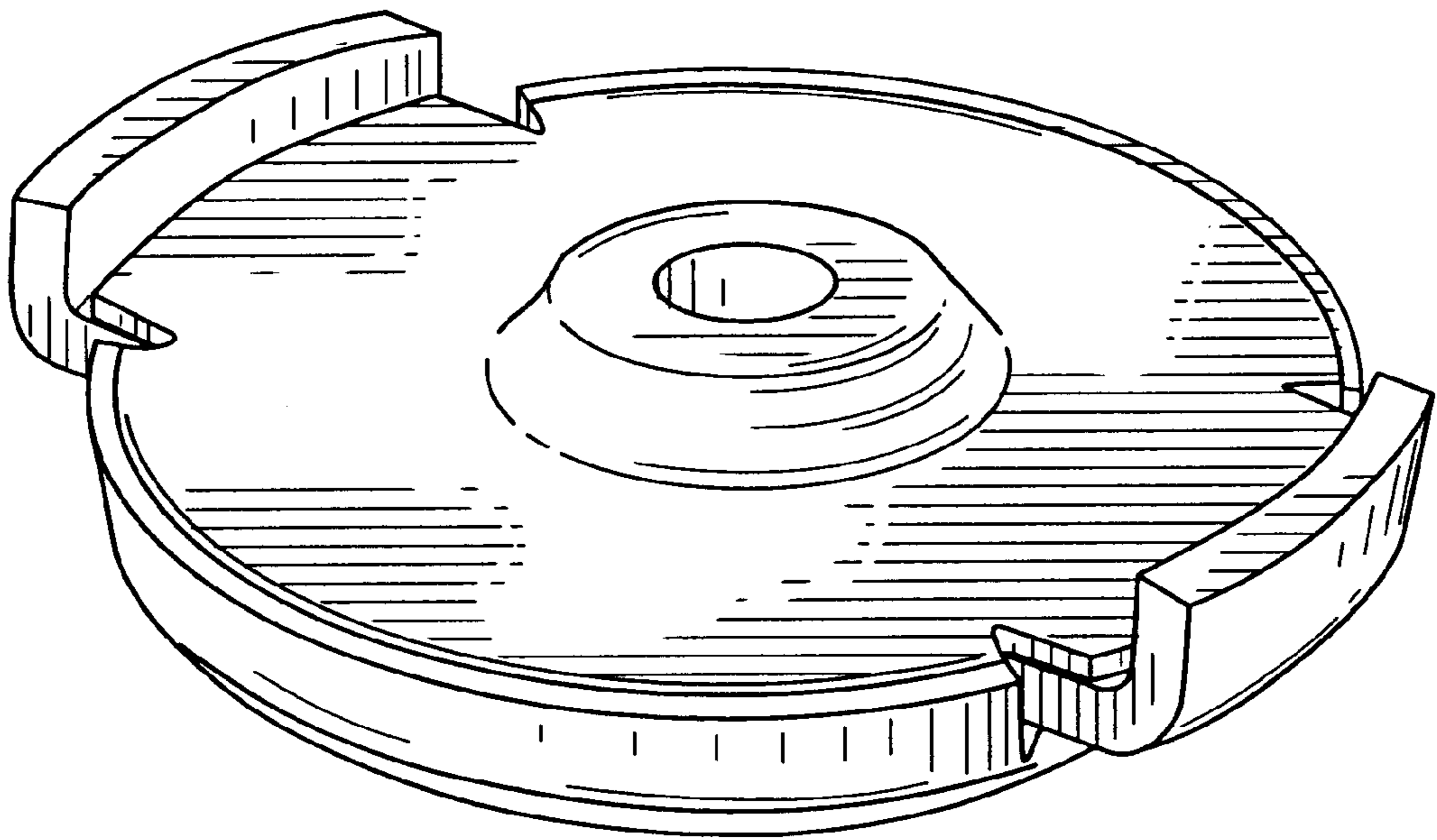


FIG. 1.

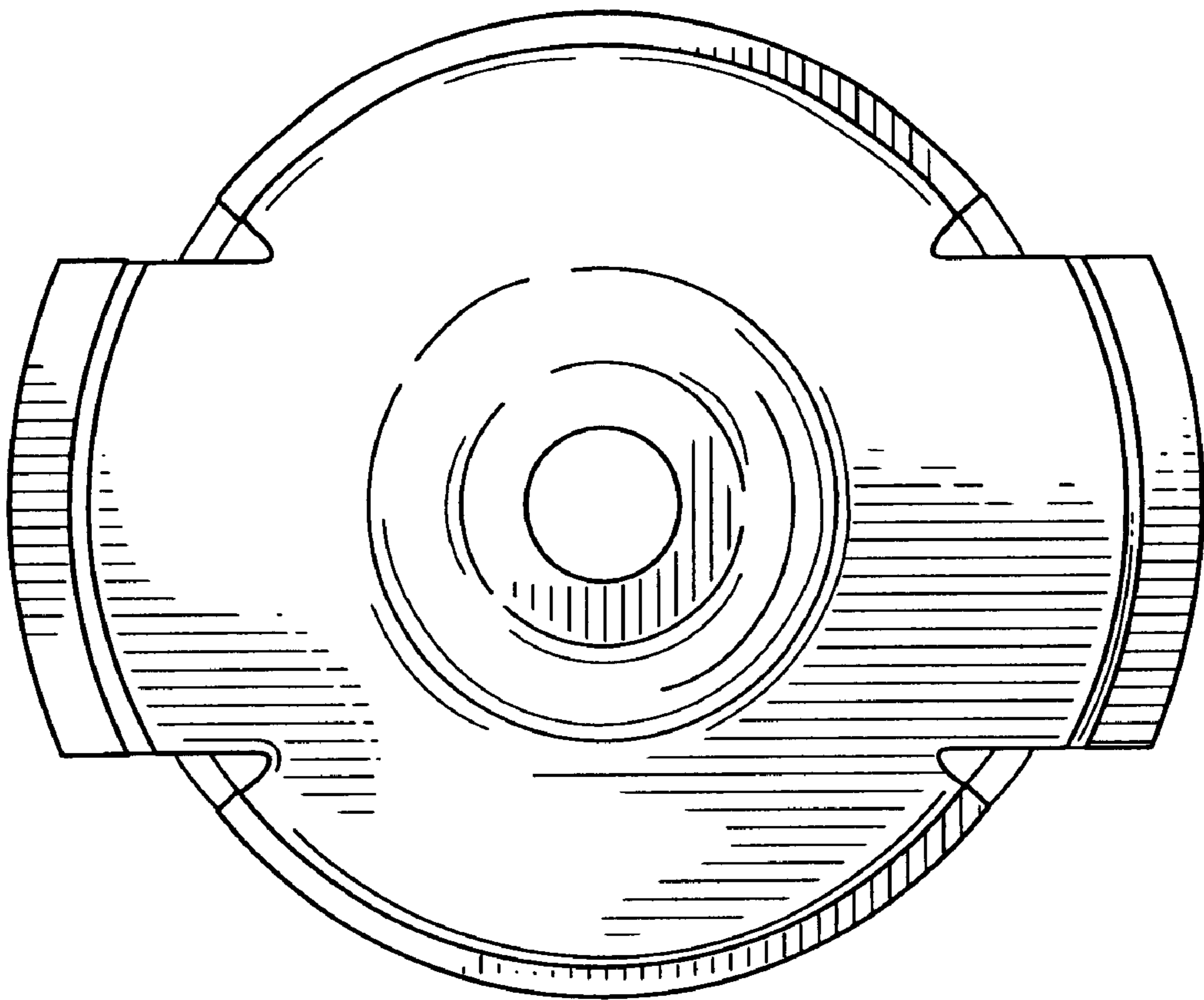


FIG. 2.

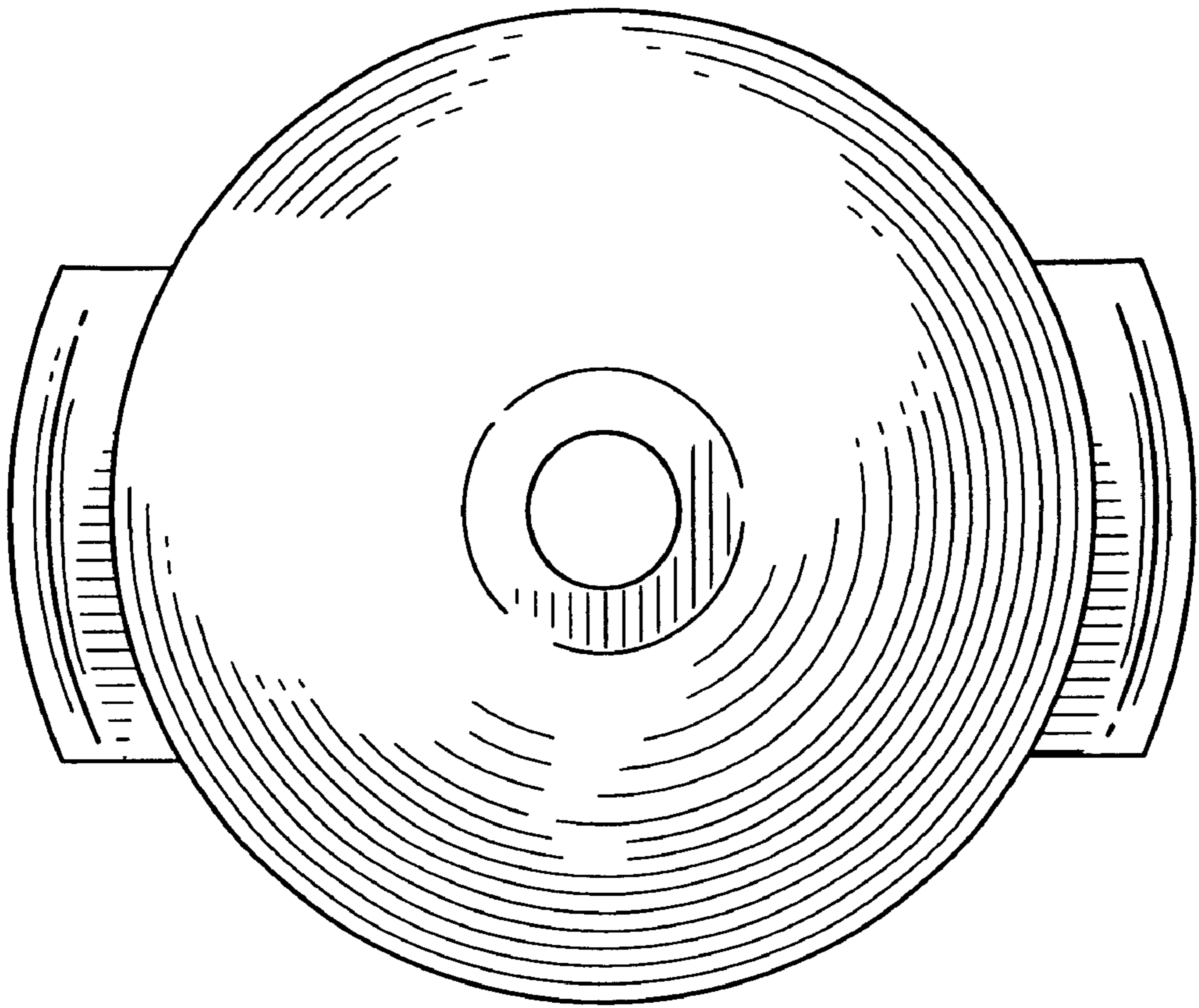


FIG. 3.

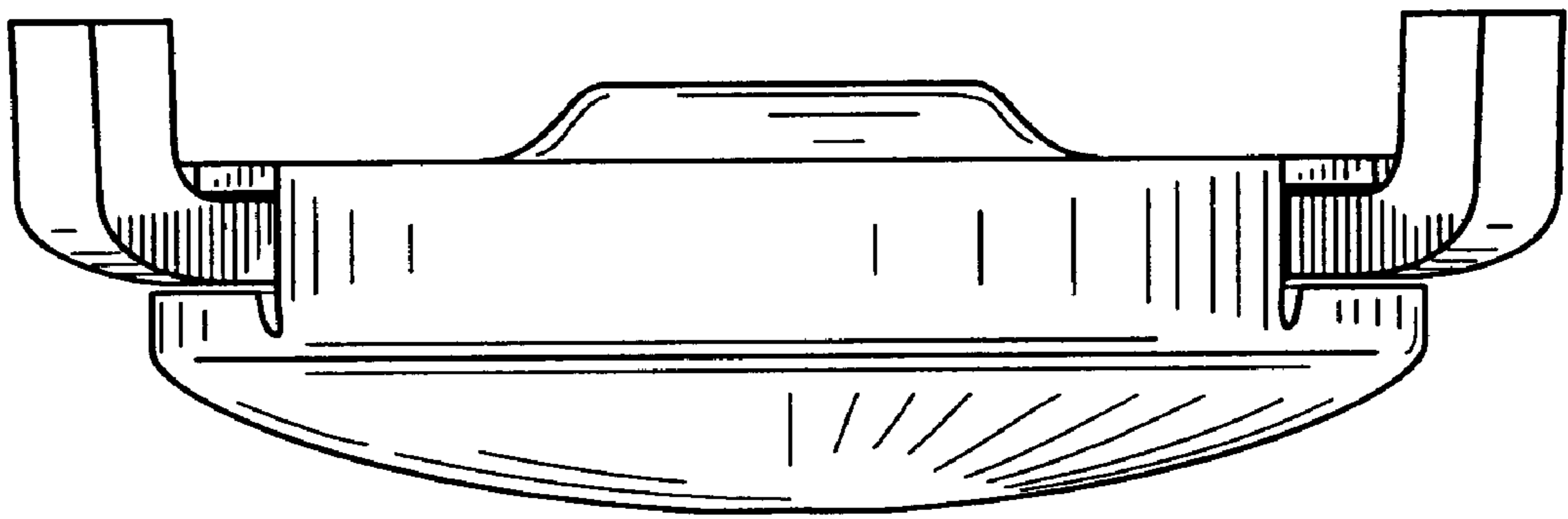


FIG. 4.

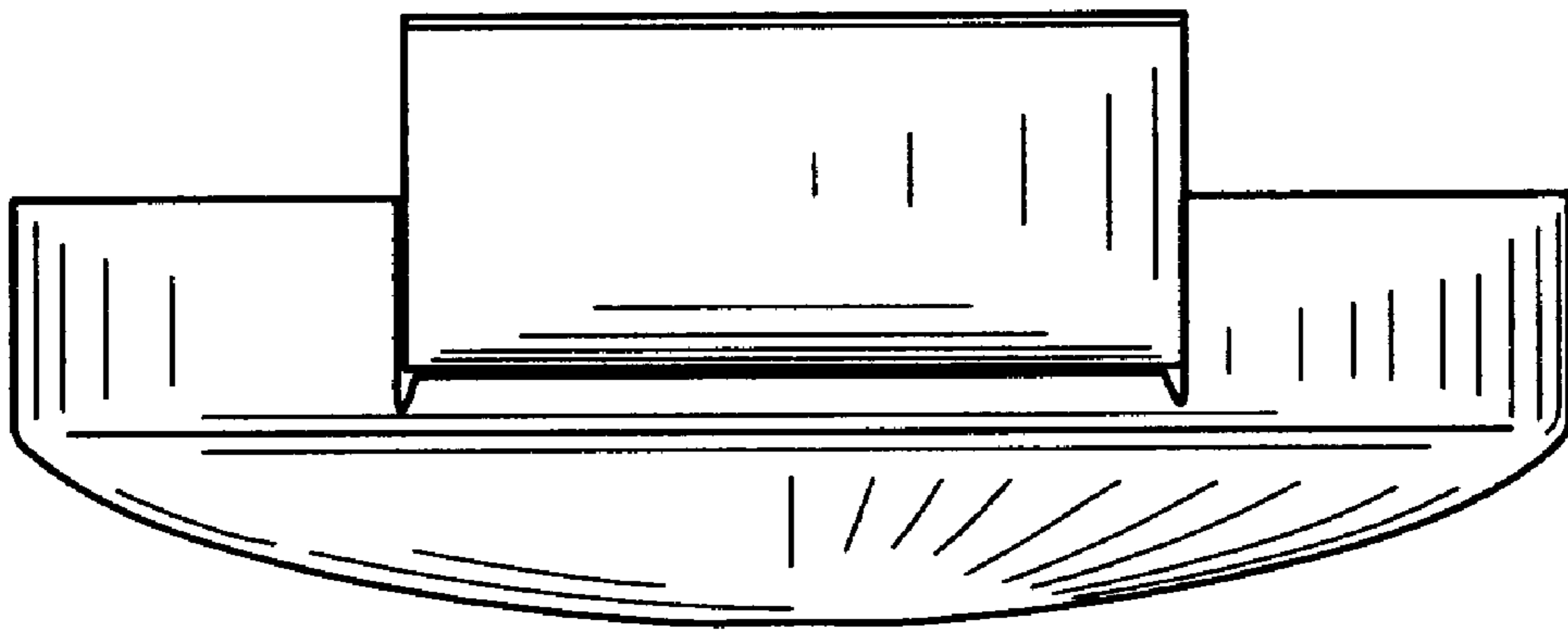


FIG. 5.

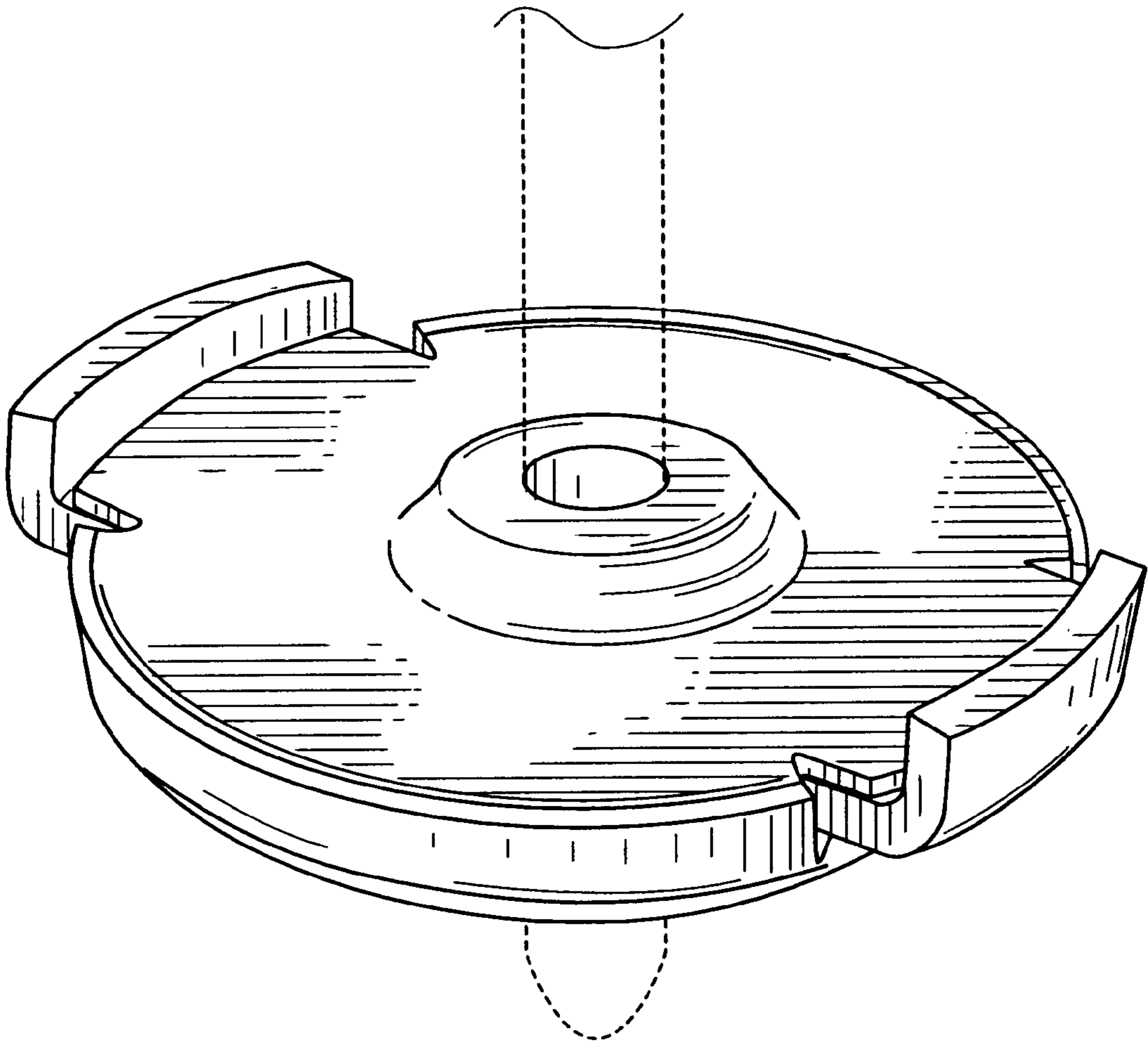


FIG. 6.