



US00D488086S

(12) **United States Design Patent**
Schubach

(10) **Patent No.:** **US D488,086 S**

(45) **Date of Patent:** **** Apr. 6, 2004**

(54) **RING WITH PIVOTAL ELEMENT**

(76) **Inventor:** **Joseph M. Schubach**, 7150 E.
Camelback Rd., Suite 250, Scottsdale,
AZ (US) 85251

(**) **Term:** **14 Years**

(21) **Appl. No.:** **29/171,074**

(22) **Filed:** **Nov. 15, 2002**

(51) **LOC (7) Cl.** **11-01**

(52) **U.S. Cl.** **D11/26**

(58) **Field of Search** D11/26-40; 63/15,
63/15.1-15.8; D3/207; 70/456 R; 24/598.2

(56) **References Cited**

U.S. PATENT DOCUMENTS

135,712 A	2/1873	Jenks	D11/26 X
309,426 A	12/1884	Wickersham	63/15
774,700 A	11/1904	Schmidt	63/15
1,195,244 A	8/1916	Lidzbarsky	63/15
D115,931 S	6/1939	Kronstadt	D11/32
2,182,876 A	12/1939	Moldenhauer	63/15
3,218,826 A	11/1965	De Santo	63/15.6
3,221,514 A *	12/1965	Newman	63/15.7
3,360,959 A	1/1968	Schechter et al.	63/15.6
3,736,770 A *	6/1973	Kelrick	63/15.7
5,027,617 A *	7/1991	Bonchek	63/15.3
5,136,858 A	8/1992	Bruner	63/15.7

D331,724 S	12/1992	Klein	D11/26
5,636,531 A	6/1997	Miller	63/15.6
5,727,399 A	3/1998	Bergagnini	63/15.4
6,032,485 A *	3/2000	Steinberg	63/15
6,062,045 A *	5/2000	West	63/15
6,279,244 B1	8/2001	Kelley	33/514.1
D480,981 S *	10/2003	Pasquetti	D11/26

* cited by examiner

Primary Examiner—Catherine R. Oliver
(74) *Attorney, Agent, or Firm*—Cahill, von Hellens &
Glazer P.L.C.

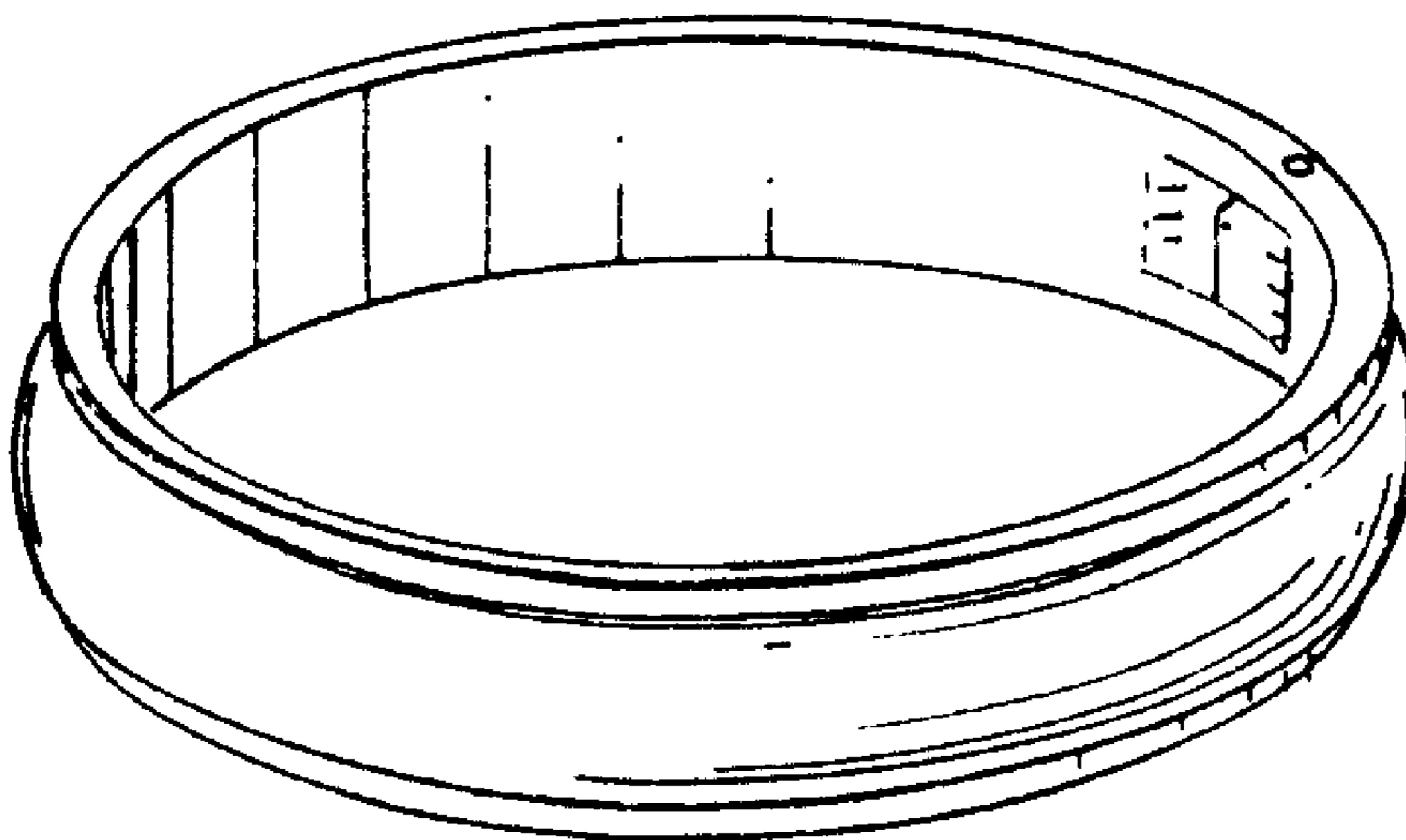
(57) **CLAIM**

The ornamental design for a ring with pivotal element, as shown and described.

DESCRIPTION

FIG. 1 is a perspective view of a ring with a pivotal element showing my new design;
FIG. 2 is a side elevational view thereof;
FIG. 3 is a bottom plan view thereof;
FIG. 4 is a top perspective view showing the pivotal element in the extended state;
FIG. 5 is a side elevational view showing the pivotal element in the extended state; and,
FIG. 6 is a bottom plan view showing the pivotal element in the extended state.

1 Claim, 1 Drawing Sheet



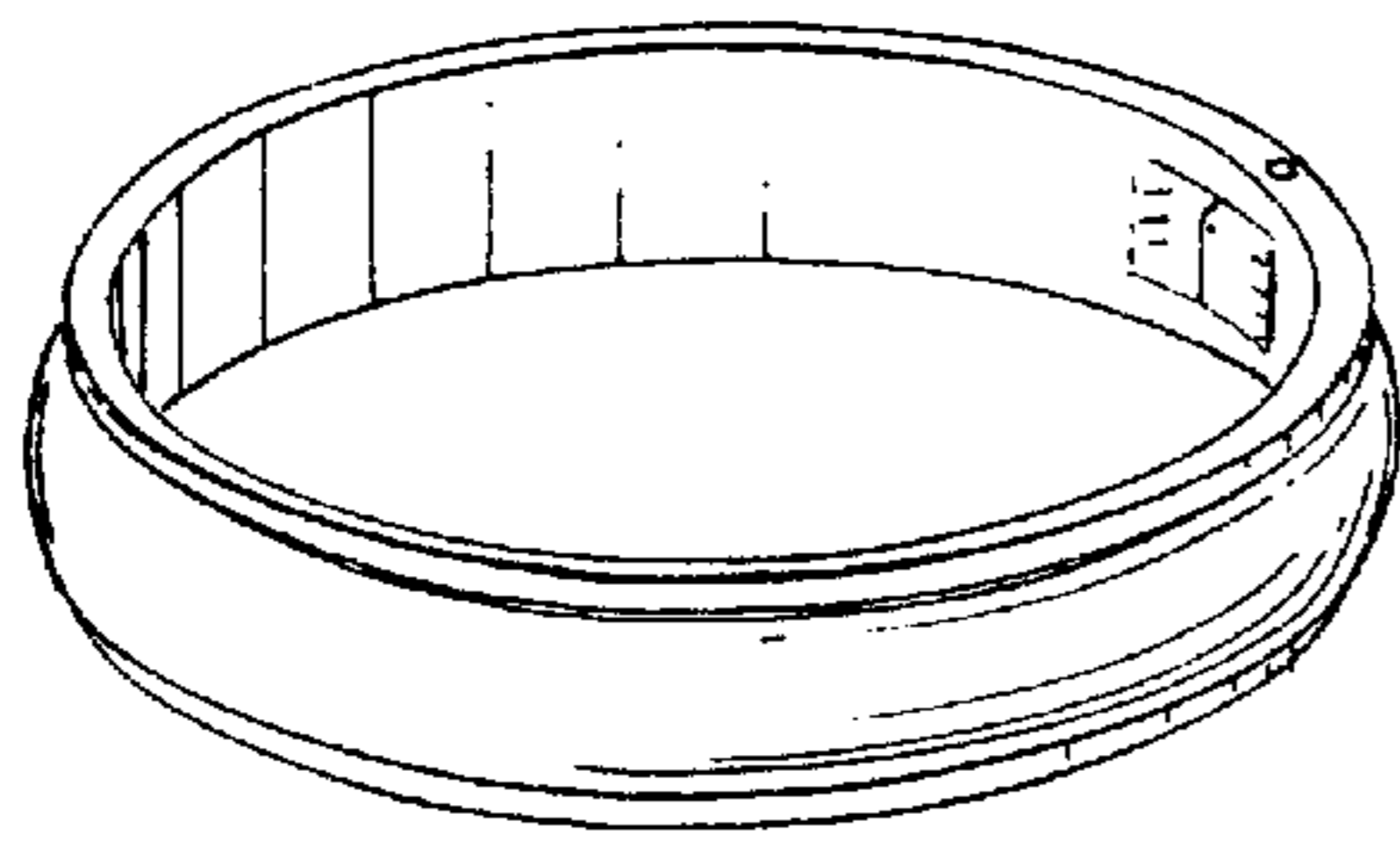


FIG. 1

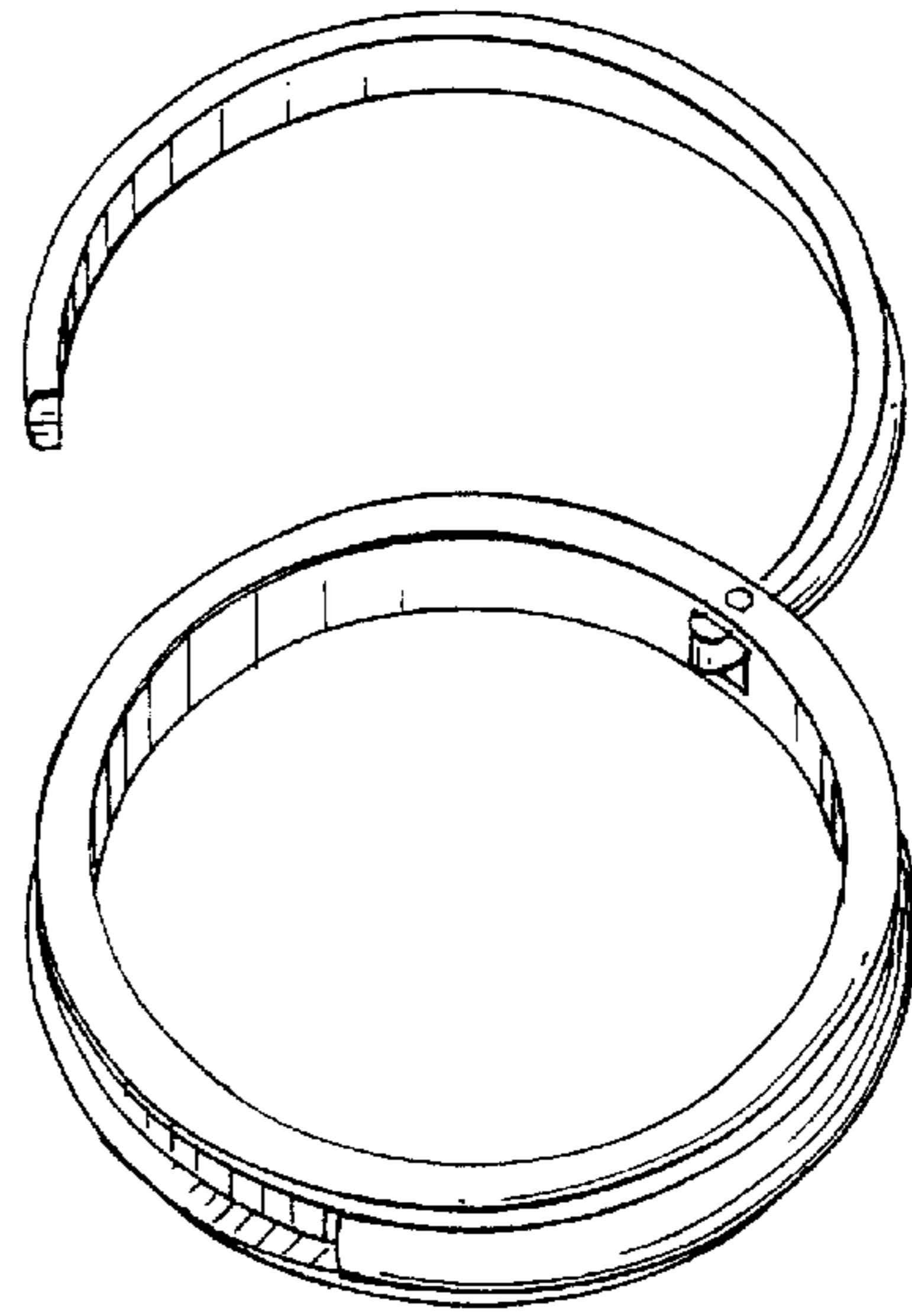


FIG. 4

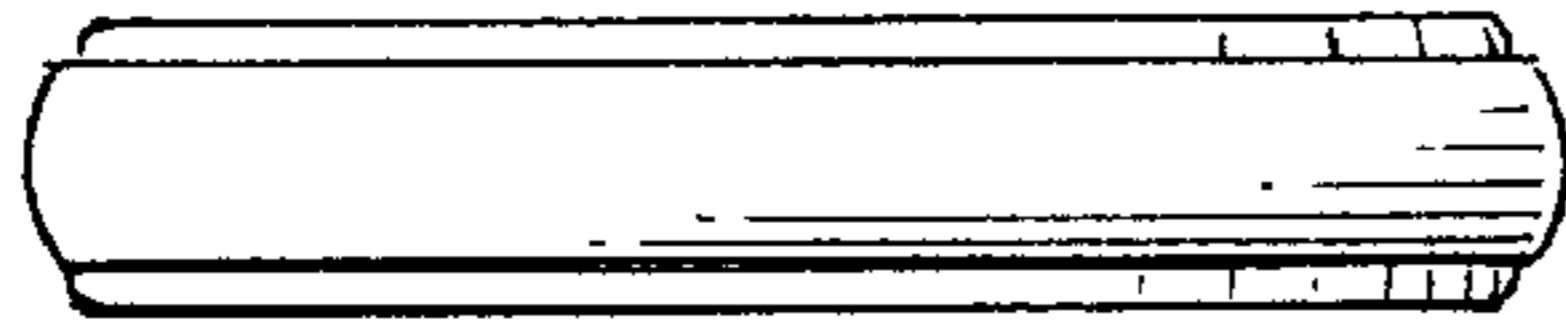


FIG. 2

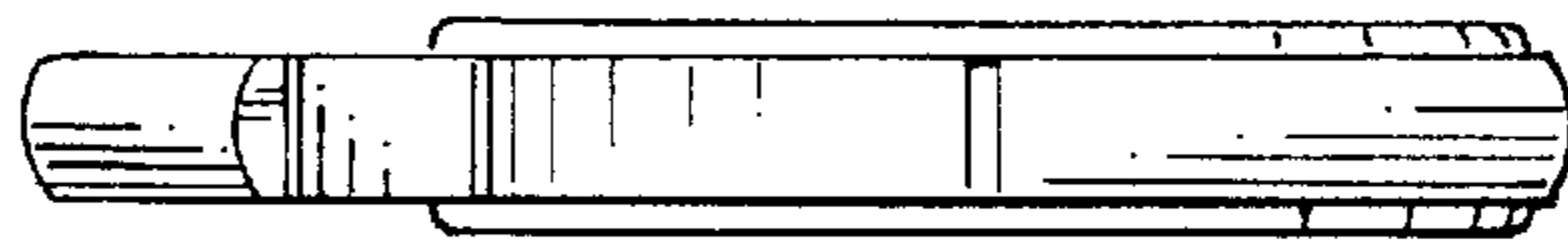


FIG. 5

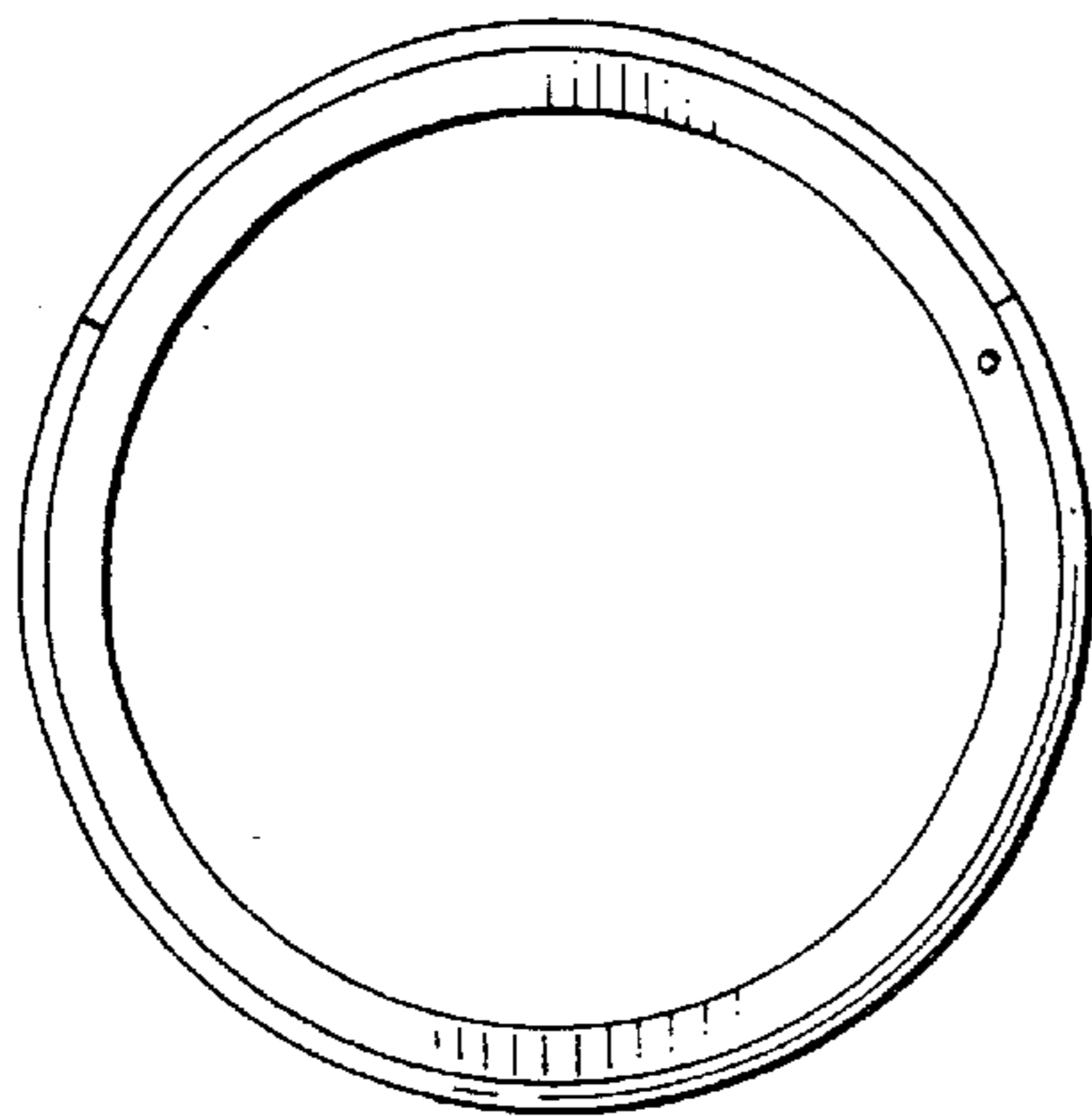


FIG. 3

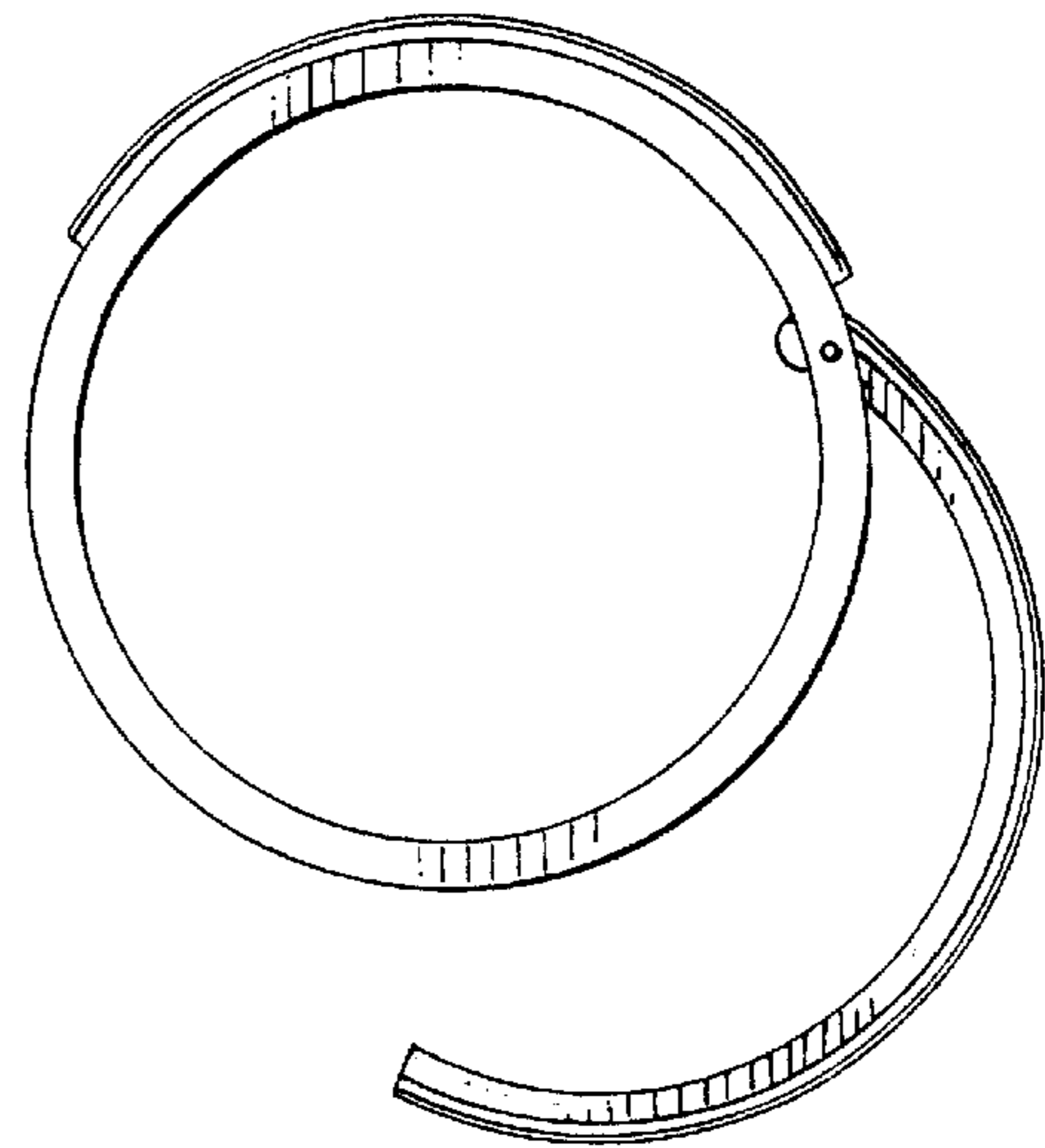


FIG. 6