



US00D488083S

(12) **United States Design Patent**  
**Hopfe et al.**

(10) **Patent No.:** **US D488,083 S**

(45) **Date of Patent:** **\*\* Apr. 6, 2004**

(54) **FLUID METER REGISTER COVER**

(75) Inventors: **Helmut W. Hopfe**, Erie, PA (US);  
**Alexander R. Podgers**, Lake City, PA (US)

(73) Assignee: **American Meter Company**, Erie, PA (US)

(\*\*) Term: **14 Years**

(21) Appl. No.: **29/170,472**

(22) Filed: **Nov. 6, 2002**

**Related U.S. Application Data**

(63) Continuation of application No. 10/065,458, filed on Oct. 21, 2002.

(51) **LOC (7) Cl.** ..... **10-04**

(52) **U.S. Cl.** ..... **D10/103; D10/96**

(58) **Field of Search** ..... **D10/96, 103; 73/861.94, 73/861.78, 861.79; 340/870.02; 377/55; 235/94 R**

(56) **References Cited**

**U.S. PATENT DOCUMENTS**

2,438,935	A	4/1948	Marsh
3,166,937	A	1/1965	Farrell
3,266,310	A	8/1966	Ruffer
3,283,575	A	11/1966	Granberg
3,299,705	A	1/1967	Shellenberg et al.
3,685,353	A *	8/1972	Gestler et al. .... 73/861.78
3,688,091	A *	8/1972	Painley ..... 235/94 R
3,729,727	A *	4/1973	Young et al. .... 340/870.02
3,733,904	A	5/1973	Bonner et al.
3,969,939	A	7/1976	Grzeslo
4,241,605	A *	12/1980	Hendriks et al. .... 73/861.94
4,674,316	A	6/1987	Albrecht et al.
5,970,791	A	10/1999	Barczynski et al.

\* cited by examiner

*Primary Examiner*—Antoine Duval Davis

(74) *Attorney, Agent, or Firm*—Edward W. Goebel, Jr.; Jon L. Woodard; MacDonald Illig Jones & Britton LLP

(57) **CLAIM**

The ornamental design for the fluid meter register cover, as shown and described.

**DESCRIPTION**

FIG. 1 is a perspective view of the front and right side of a fluid meter register cover of this invention;

FIG. 2 is a front view of the fluid meter registry cover shown in FIG. 1;

FIG. 3 is a rear view of the fluid meter register cover shown in FIG. 1;

FIG. 4 is a left side view of the fluid meter register cover shown in FIG. 1;

FIG. 5 is a right side view of the fluid meter register cover shown in FIG. 1;

FIG. 6 is a top view of the fluid meter register cover shown in FIG. 1;

FIG. 7 is a bottom view of the fluid meter register cover shown in FIG. 1;

FIG. 8 is a perspective view of the front and right side of the fluid meter register cover shown in FIG. 1 which has a single side rib extending from one side of a mounting hole on a flange on the rear of the fluid meter register cover;

FIG. 9 is a front view of the fluid meter register cover shown in FIG. 8;

FIG. 10 is a rear view of the fluid meter register cover shown in FIG. 8 which differs from the rear view of the fluid meter register cover shown in FIG. 3 in that four closure ribs on the inside of the closed end of the fluid meter register cover do not end at a circular flange within the fluid meter register cover;

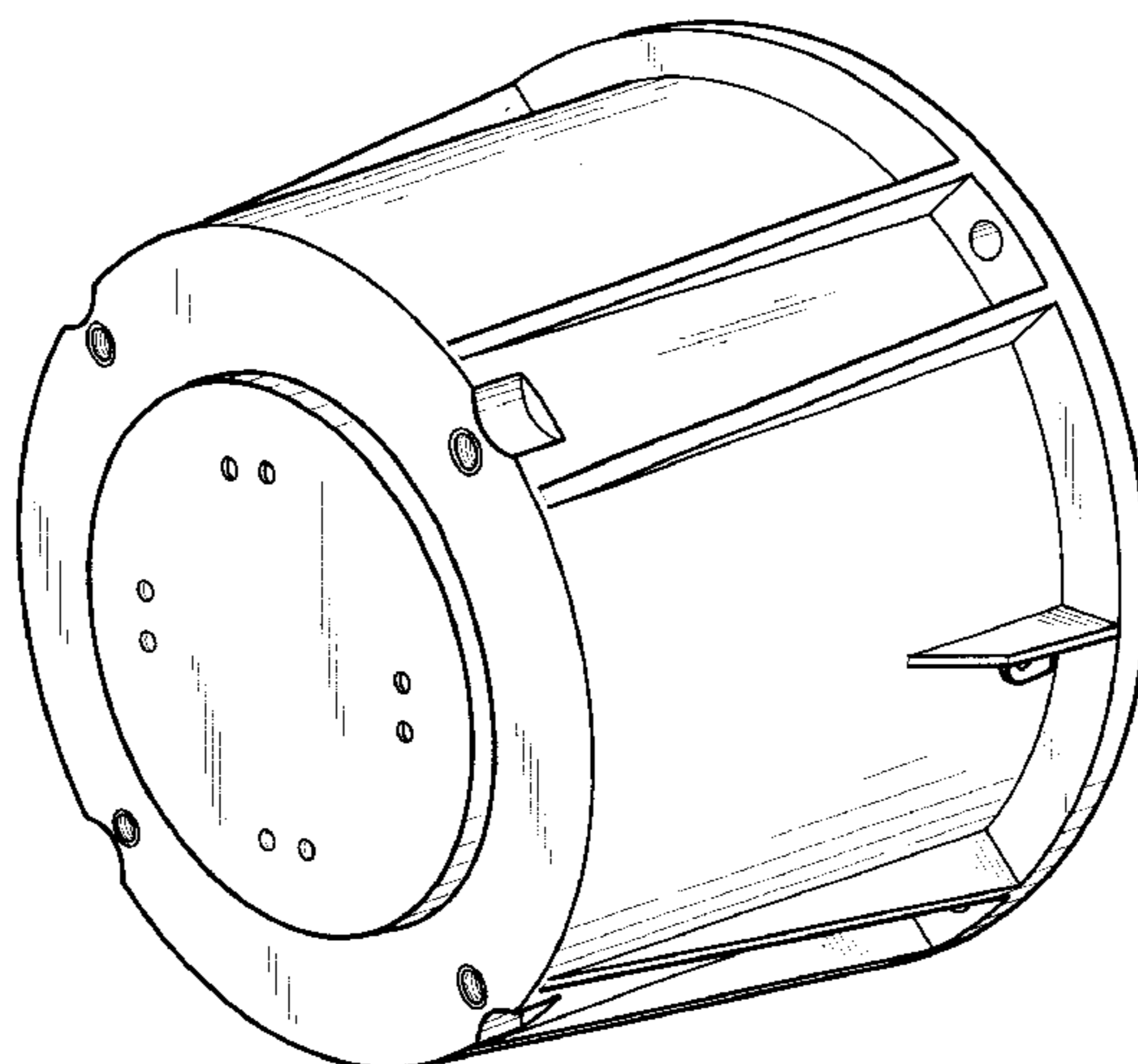
FIG. 11 is a left side view of the fluid meter register cover shown in FIG. 8;

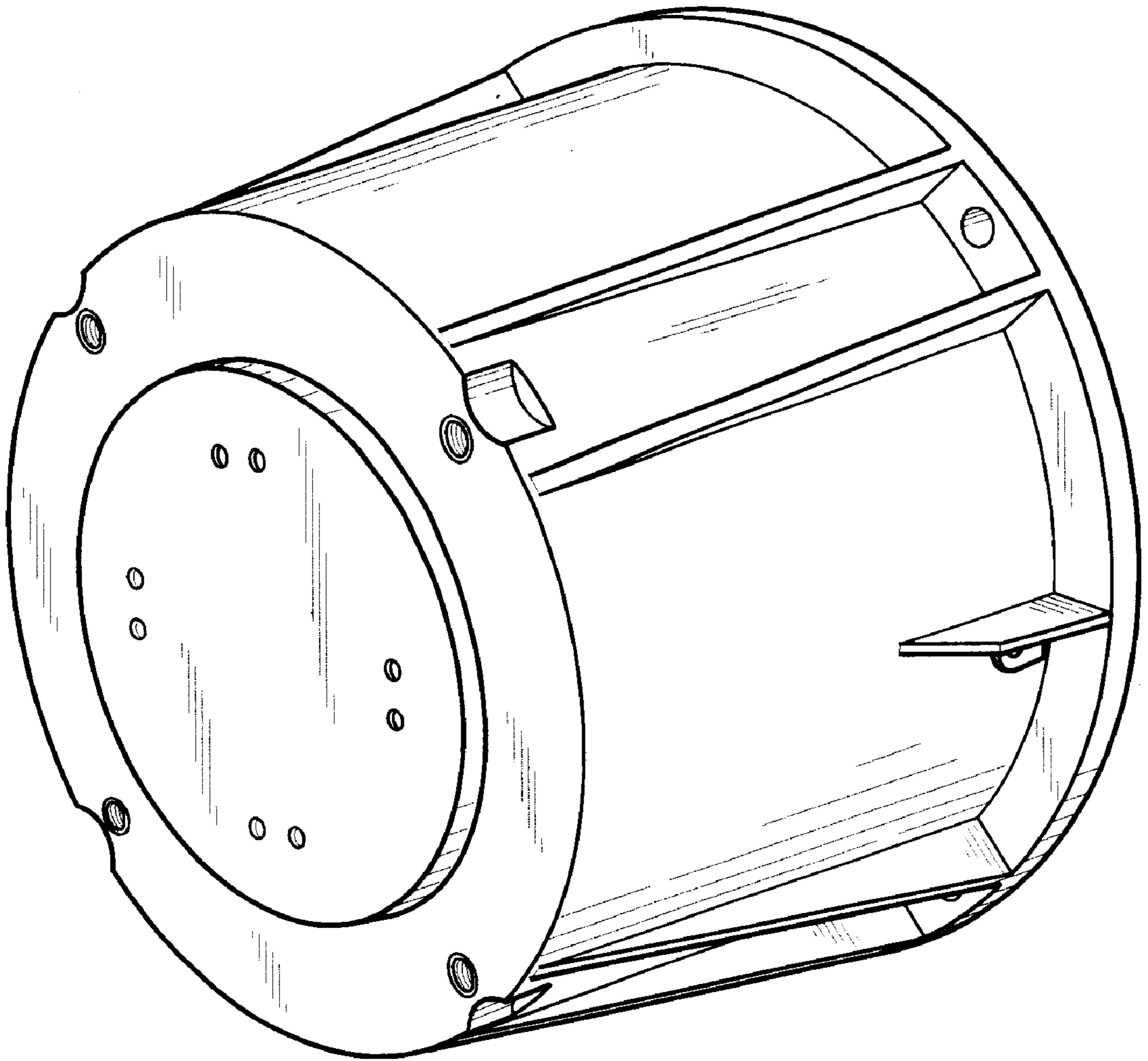
FIG. 12 is a right side view of the fluid meter register cover shown in FIG. 8;

FIG. 13 is a top view of the fluid meter register cover shown in FIG. 8; and,

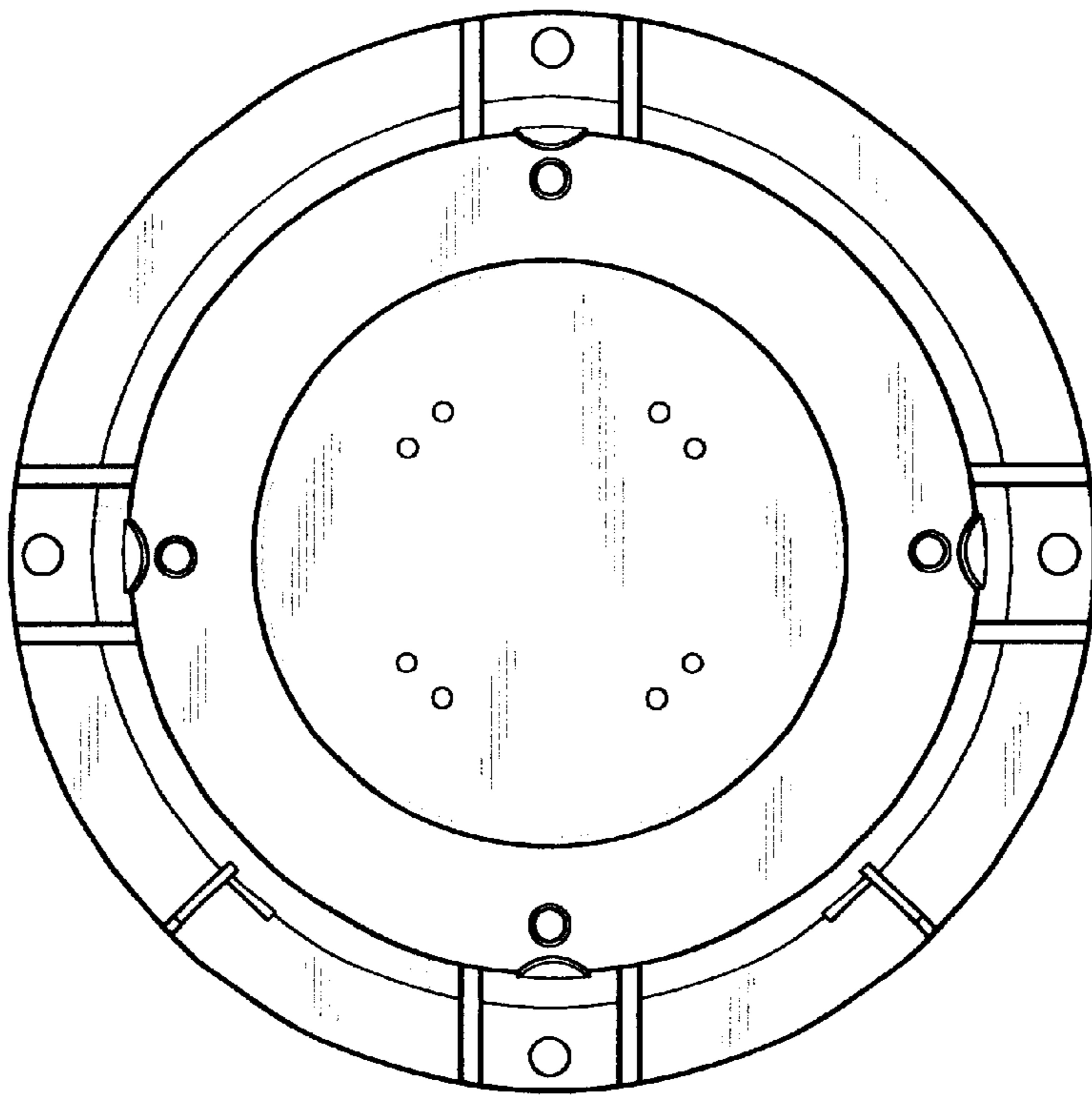
FIG. 14 is a bottom view of the fluid meter register cover shown in FIG. 8.

**1 Claim, 8 Drawing Sheets**

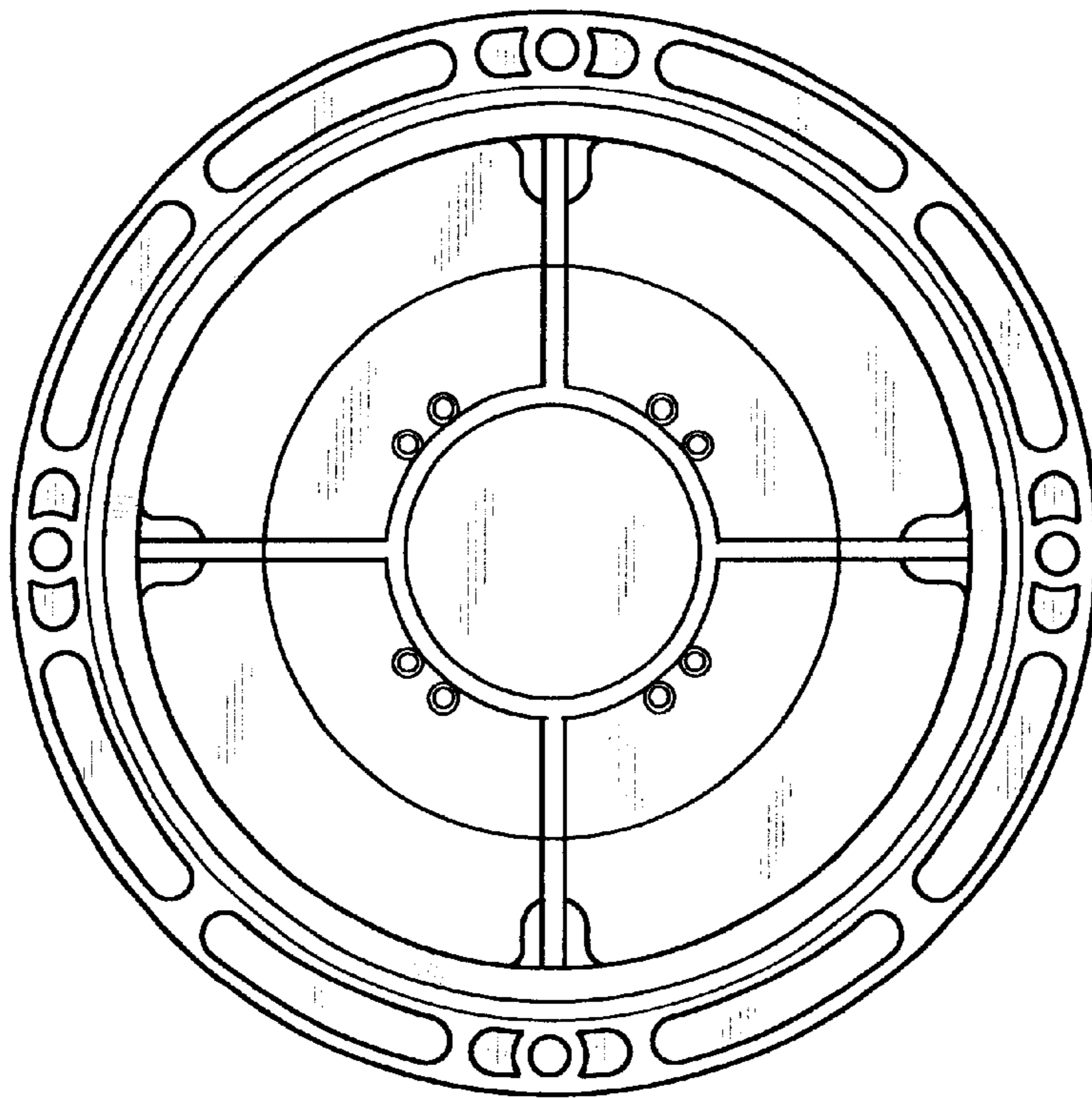




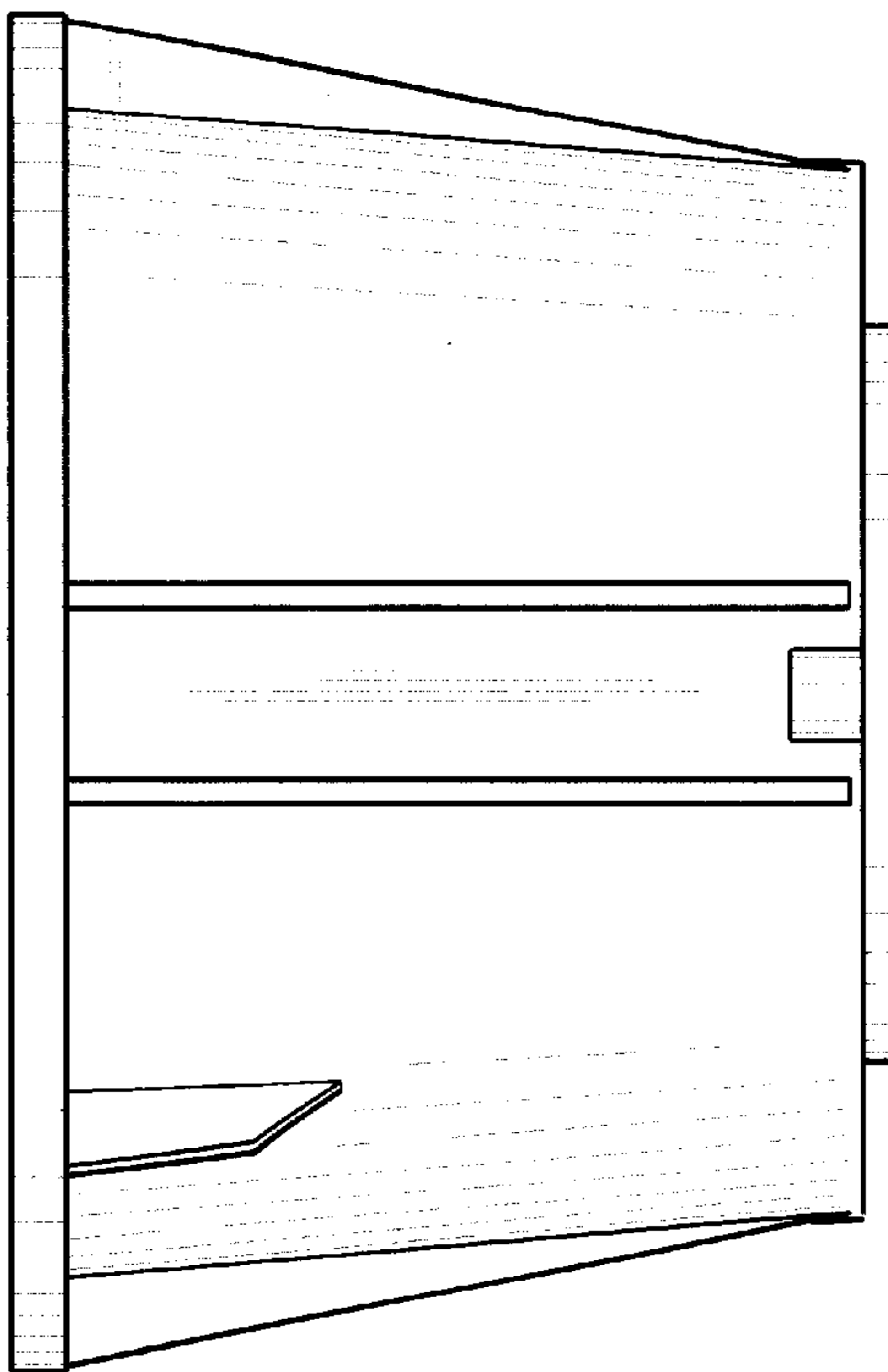
*Fig.1*



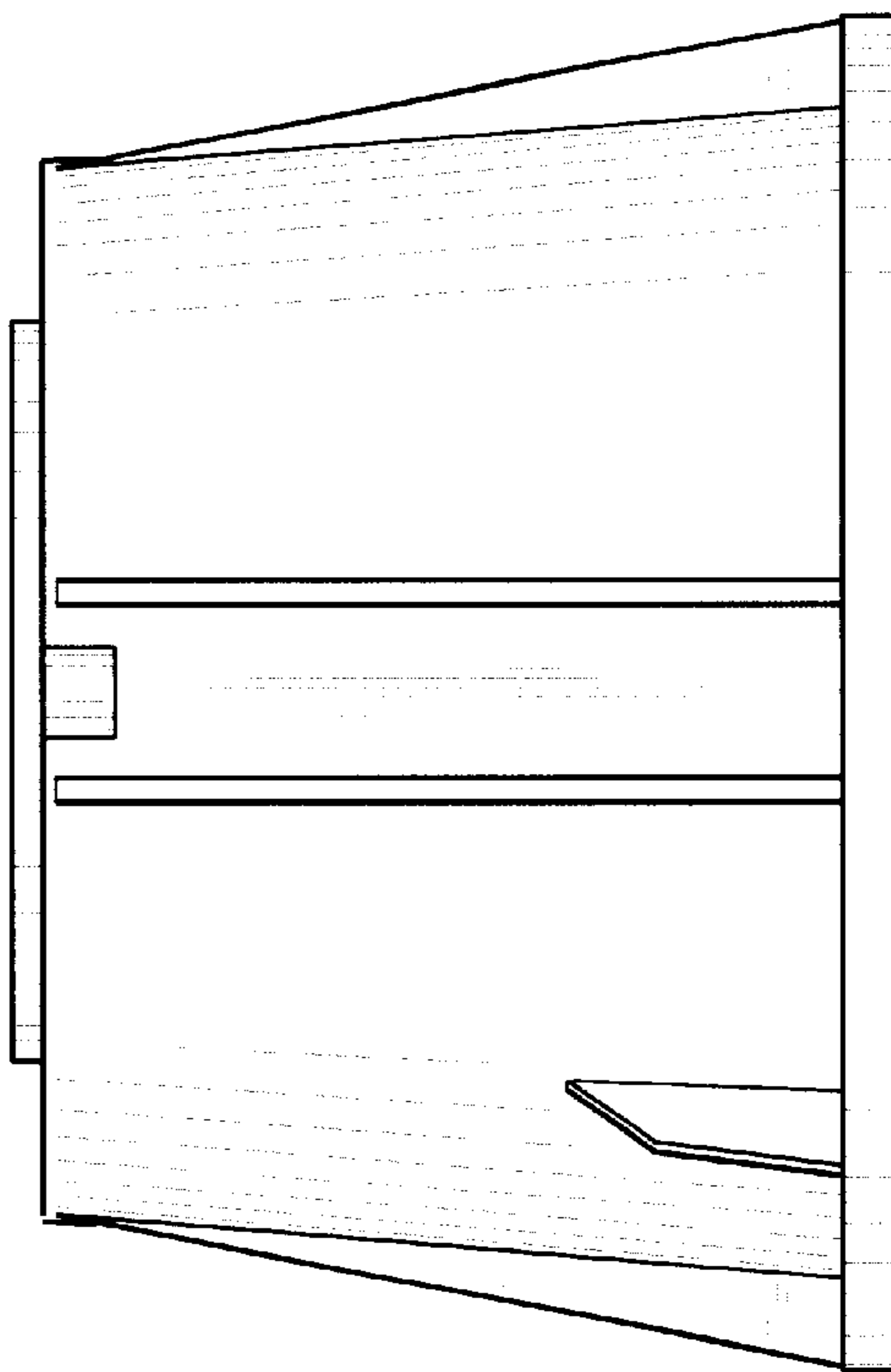
*Fig. 2*



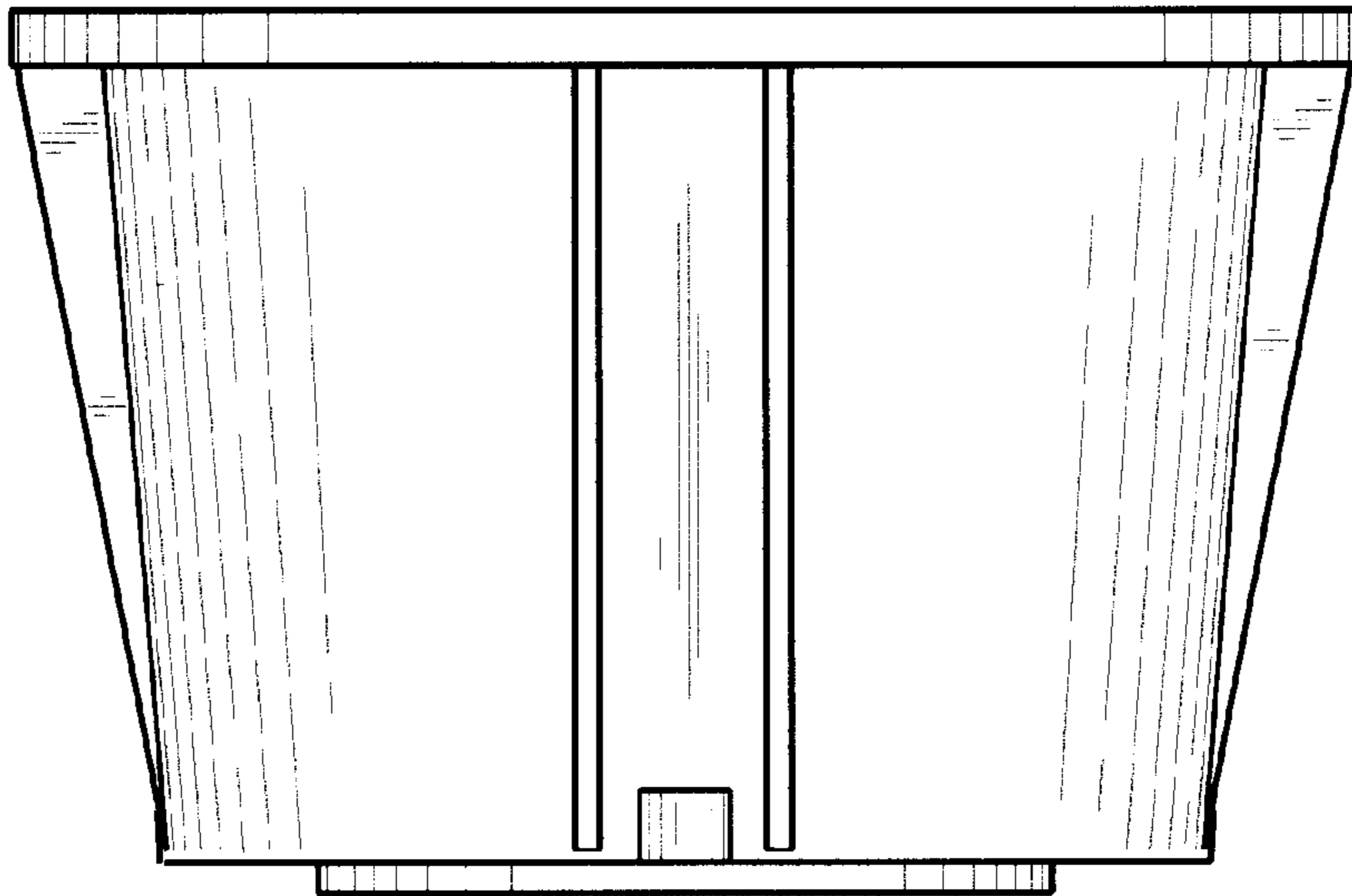
*Fig. 3*



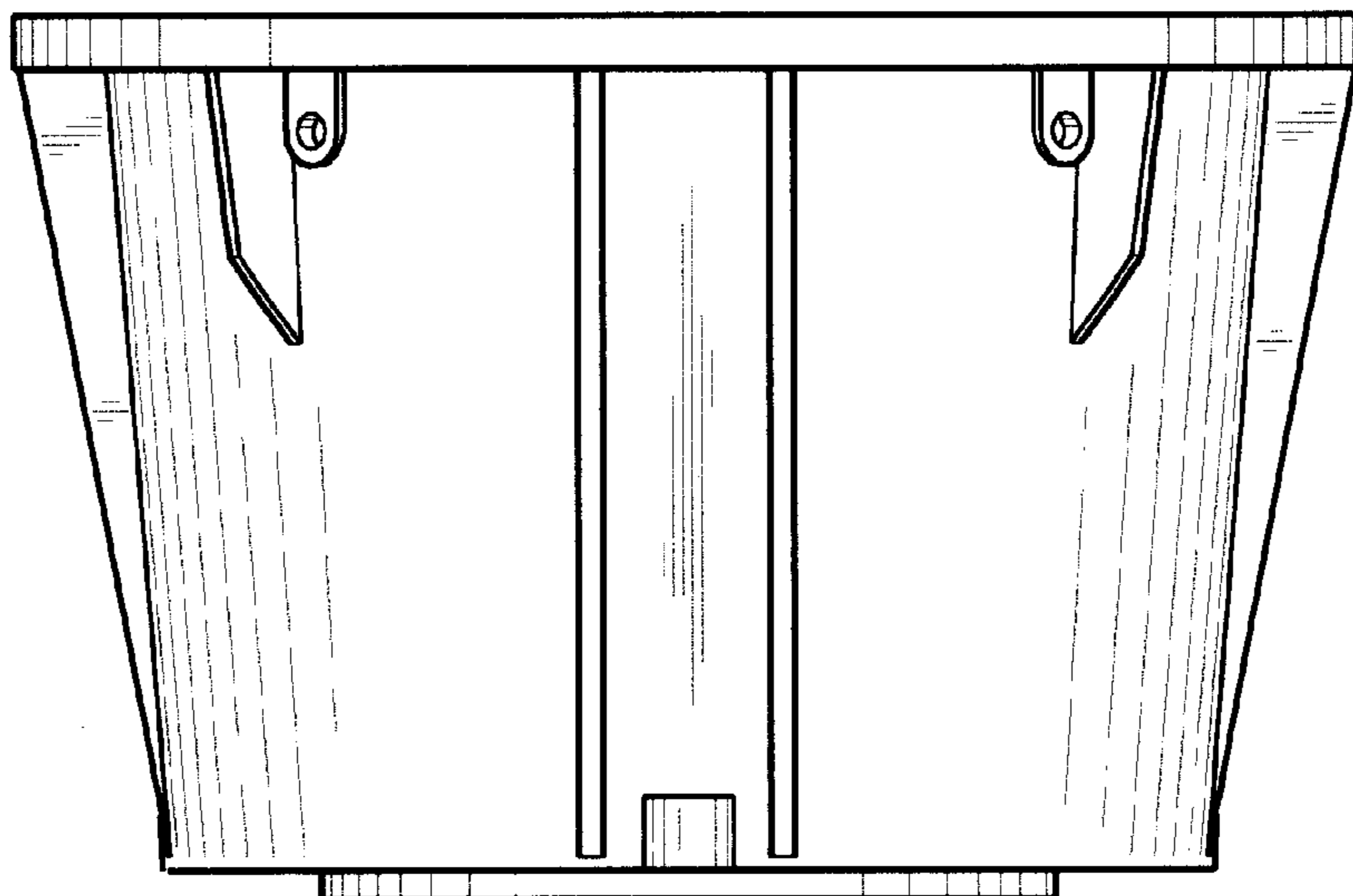
*Fig.4*



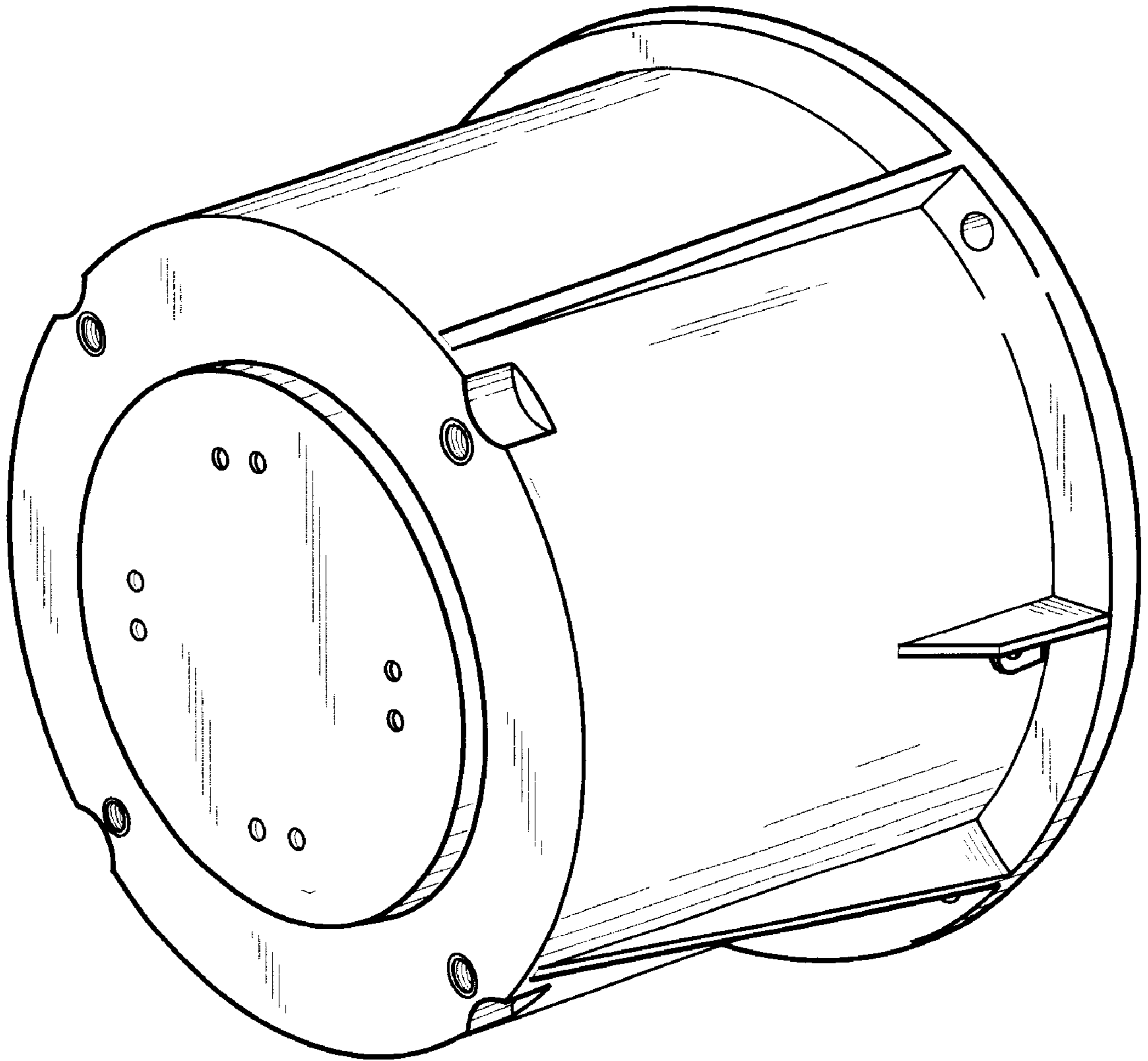
*Fig.5*



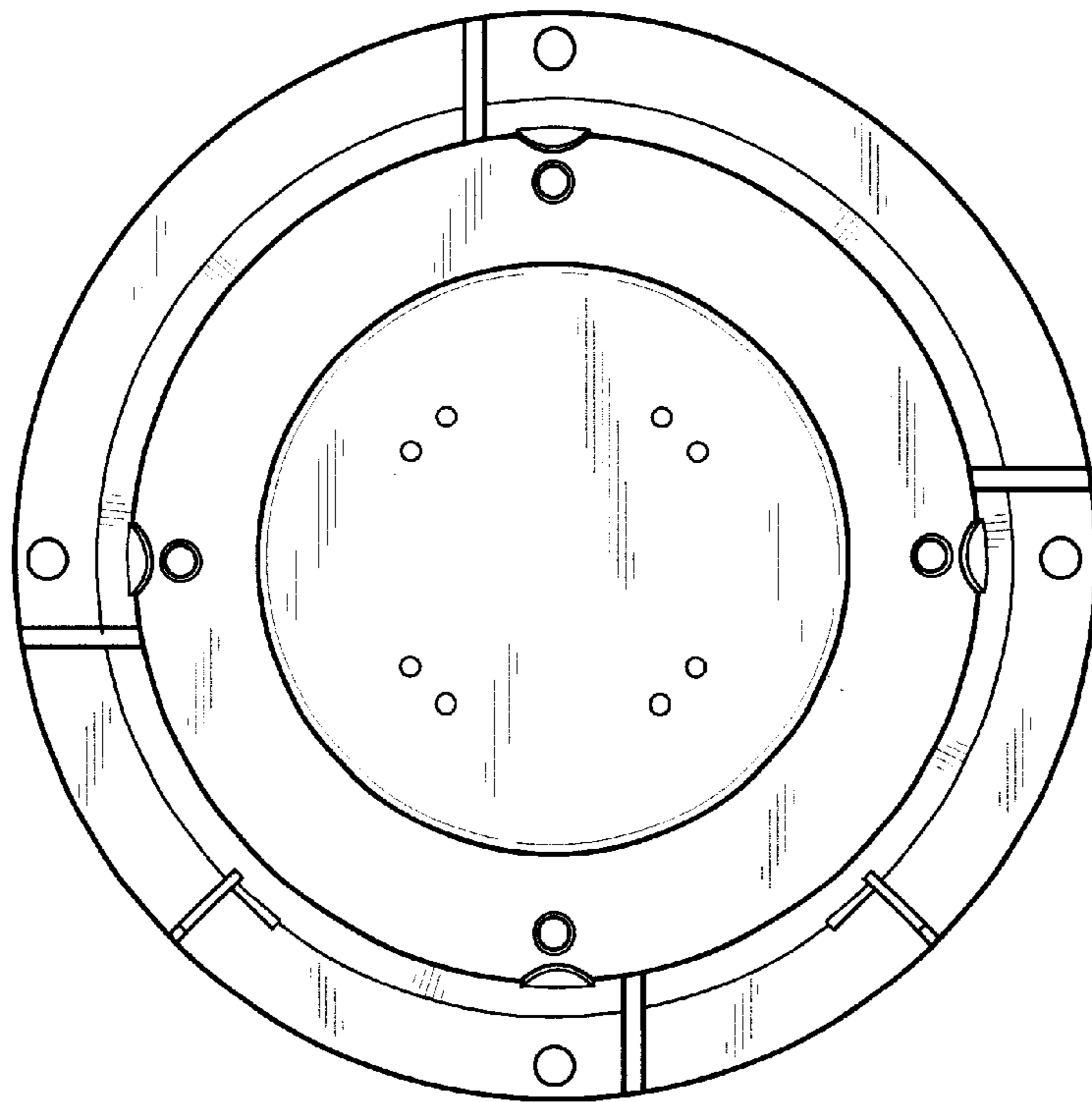
*Fig.6*



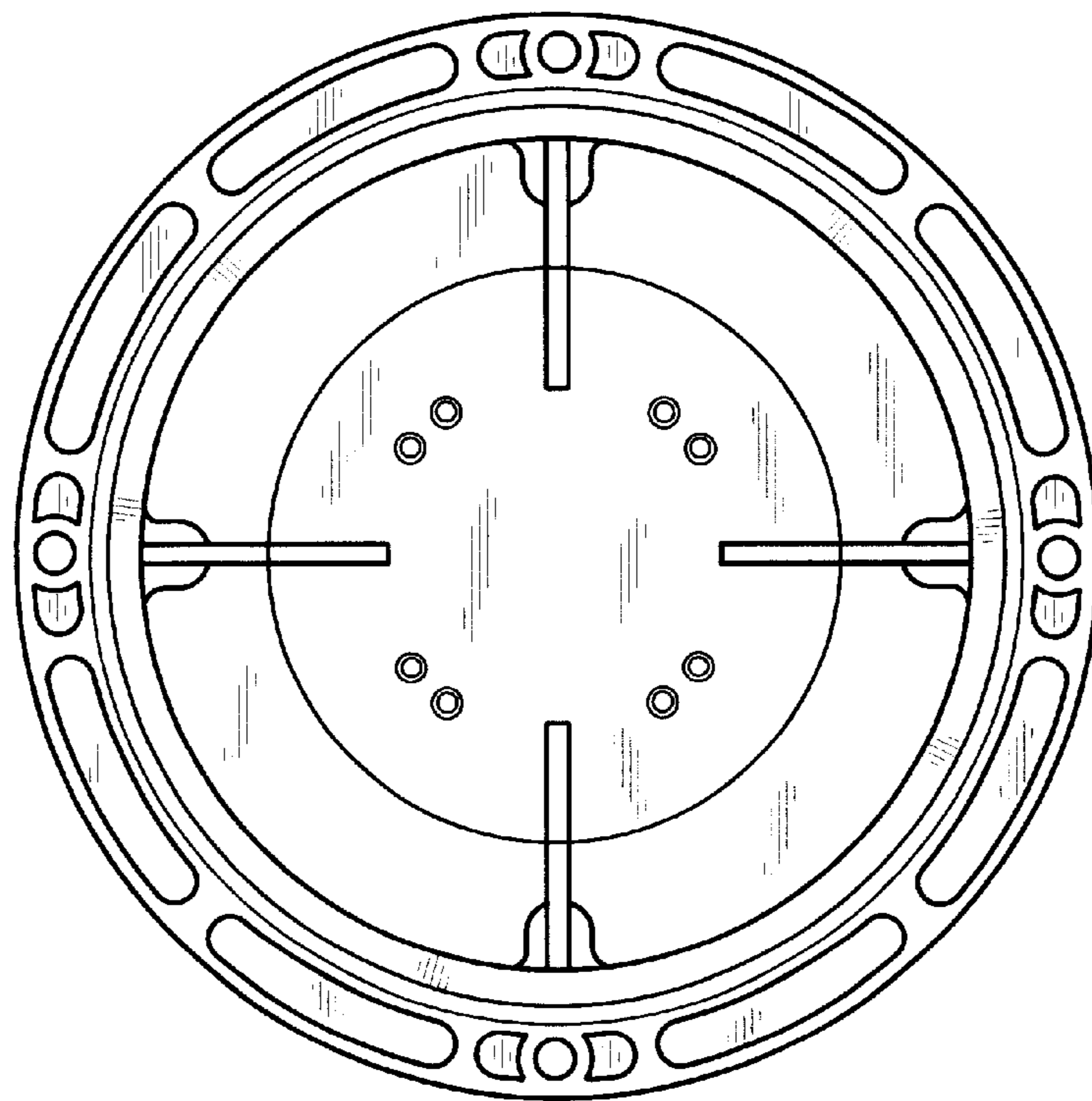
*Fig.7*



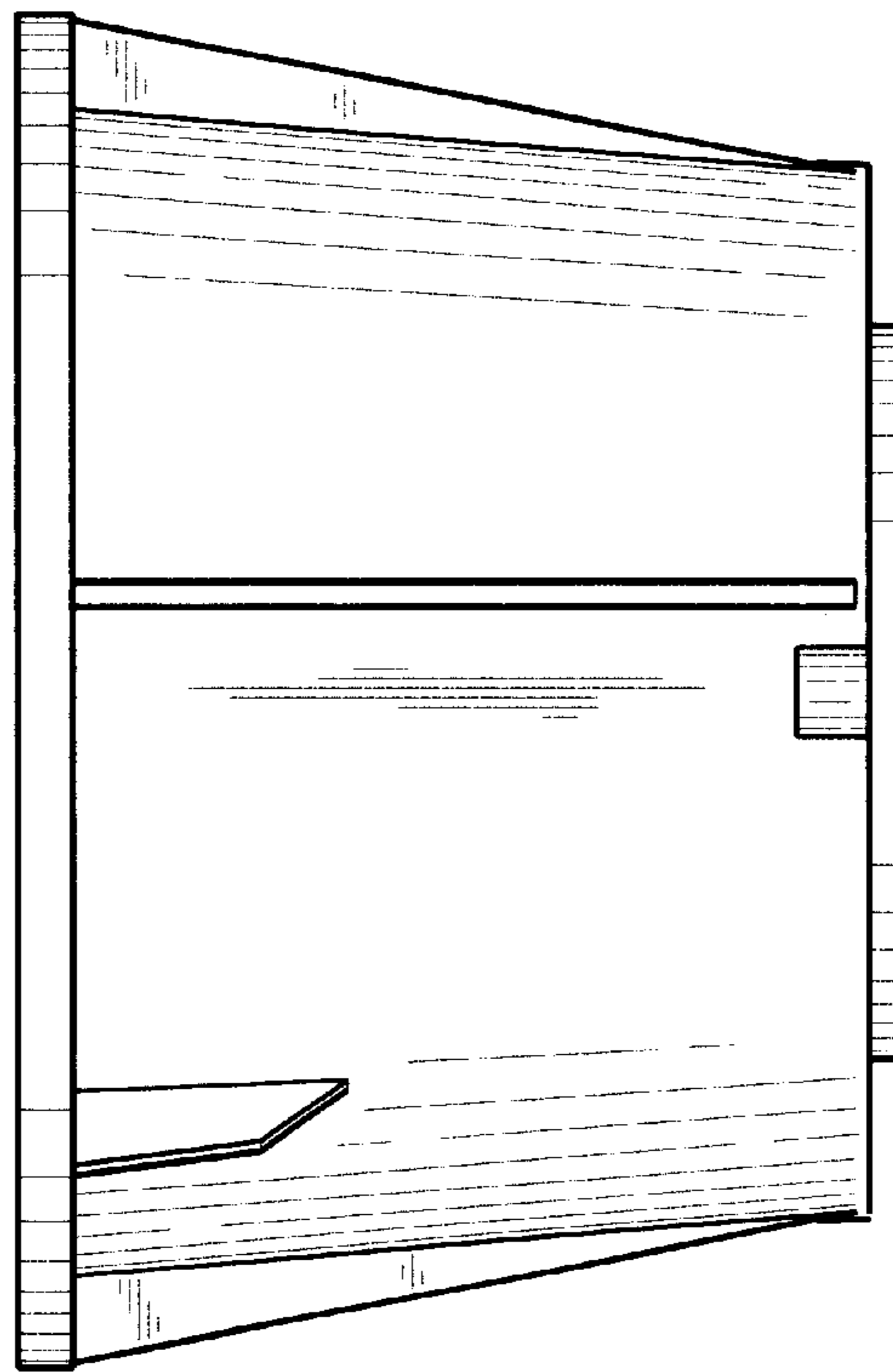
***Fig.8***



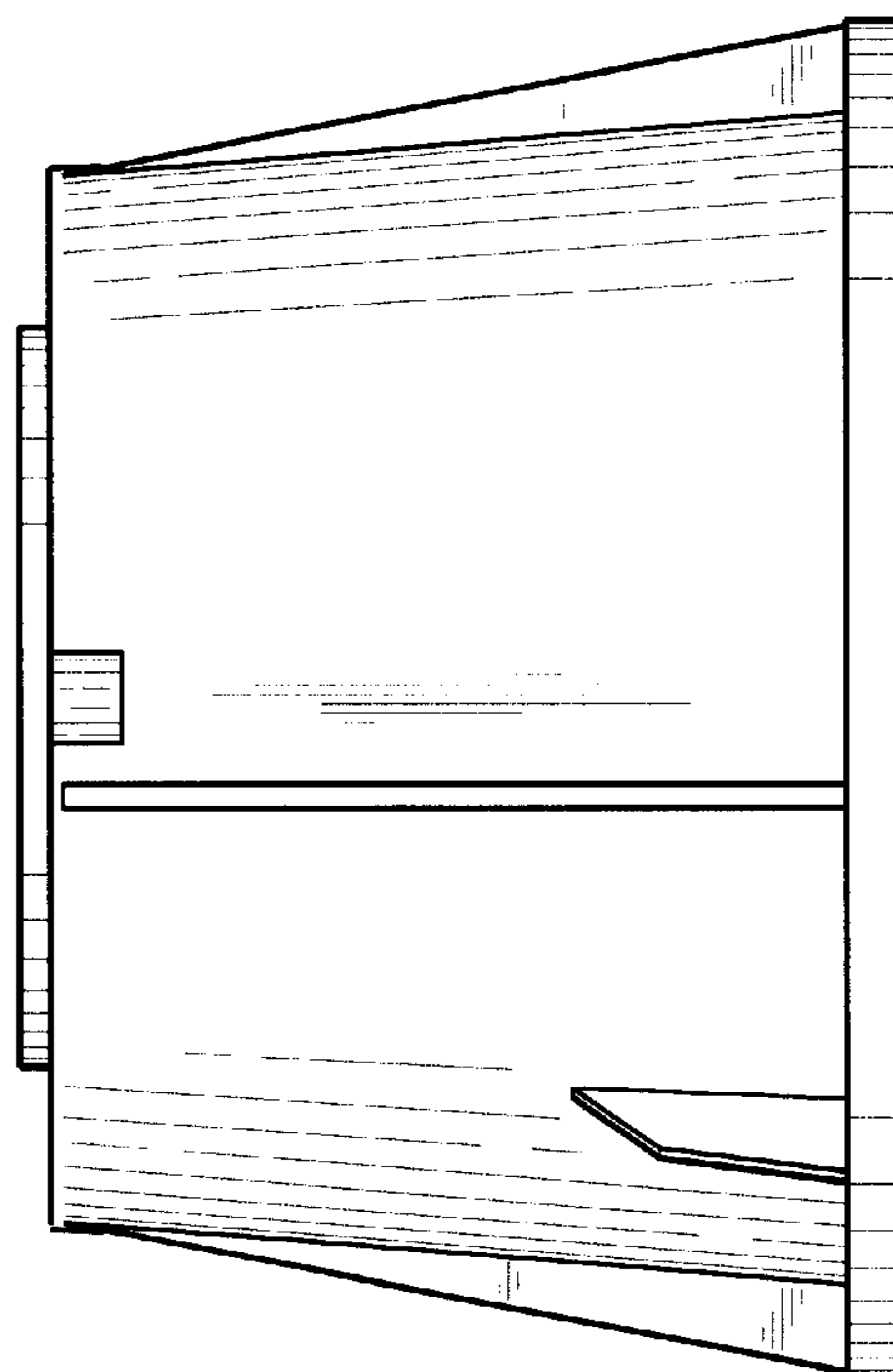
*Fig. 9*



*Fig. 10*

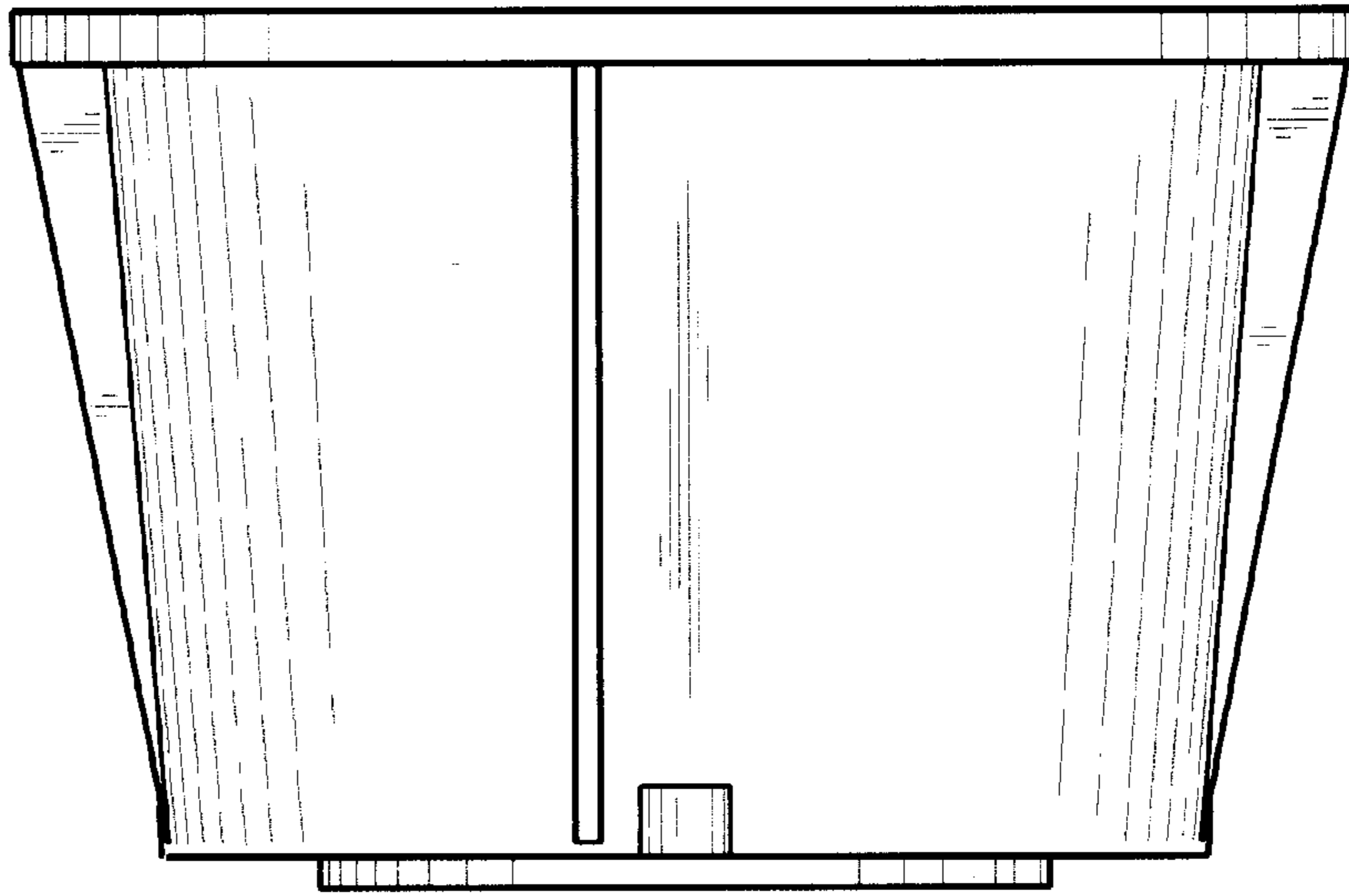


*Fig. 11*

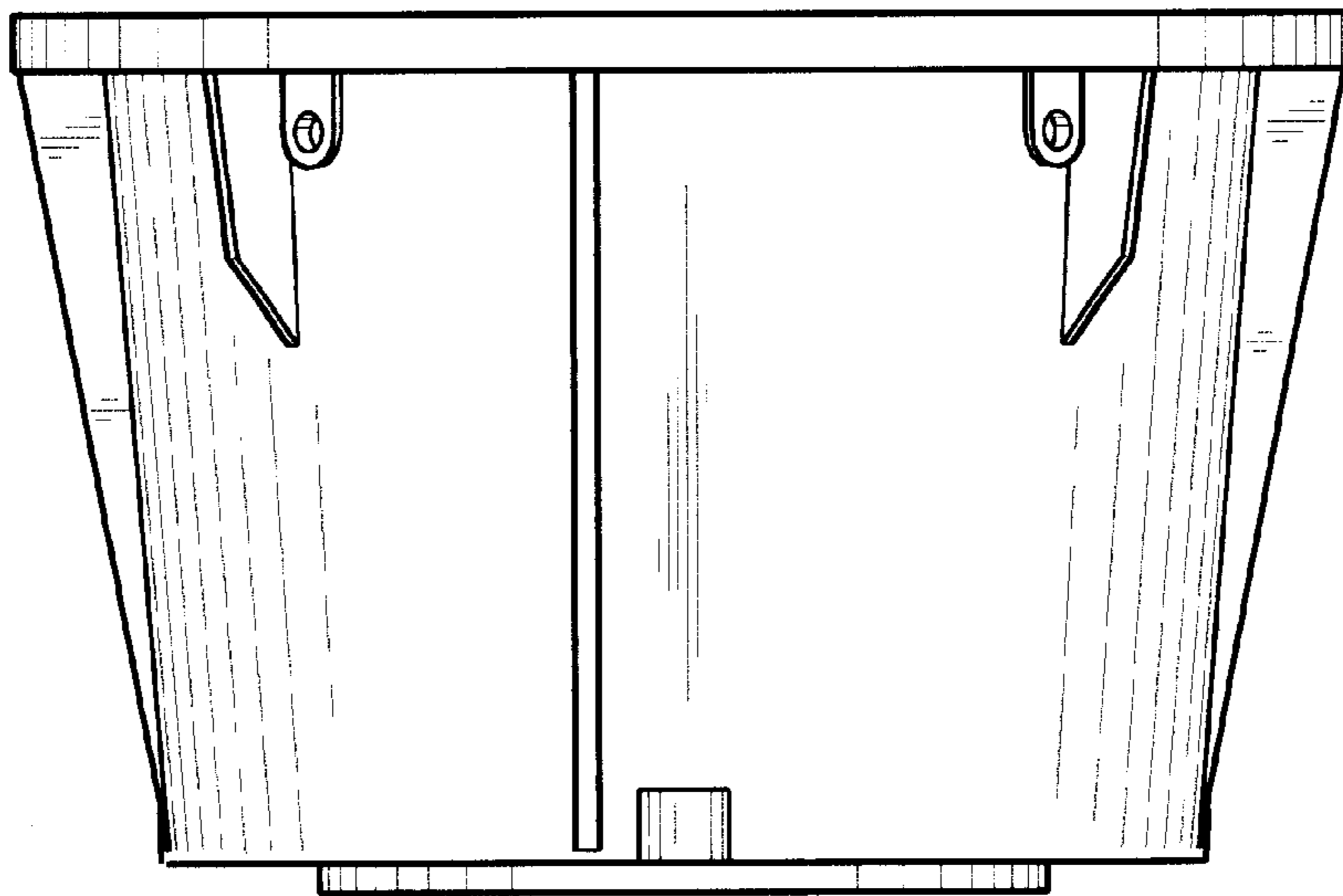


*Fig. 12*





*Fig.13*



*Fig.14*