



US00D488078S

(12) **United States Design Patent**
Nakajima et al.

(10) **Patent No.:** **US D488,078 S**

(45) **Date of Patent:** **** Apr. 6, 2004**

(54) **ELECTRONIC METRONOME**

(75) Inventors: **Kazuhito Nakajima**, Shizuoka (JP);
Hiroyoshi Naitoh, Shizuoka (JP);
Sekinori Funakawa, Shizuoka (JP)

(73) Assignee: **Yamaha Corporation**, Shizuoka (JP)

(**) Term: **14 Years**

(21) Appl. No.: **29/182,435**

(22) Filed: **May 28, 2003**

(30) **Foreign Application Priority Data**

Dec. 16, 2002 (JP) 2002-034813

(51) **LOC (7) Cl.** **10-03**

(52) **U.S. Cl.** **D10/43**

(58) **Field of Search** D10/43; 84/477 R,
84/484

(56) **References Cited**

U.S. PATENT DOCUMENTS

4,583,443 A * 4/1986 Senghaas et al. 84/484
4,733,593 A * 3/1988 Rothbart 84/484
D319,791 S * 9/1991 Saito D10/43

5,287,789 A * 2/1994 Zimmerman 84/477 R
D351,800 S * 10/1994 Liao D10/43
D360,143 S * 7/1995 Omuro D10/43
D378,899 S * 4/1997 Ridinger D10/43
5,850,048 A * 12/1998 Ruf 84/484
D430,045 S * 8/2000 Omuro et al. D10/43
D430,810 S * 9/2000 Omuro et al. D10/43

* cited by examiner

Primary Examiner—Nelson C. Holtje

(74) *Attorney, Agent, or Firm*—Sughrue Mion, PLLC

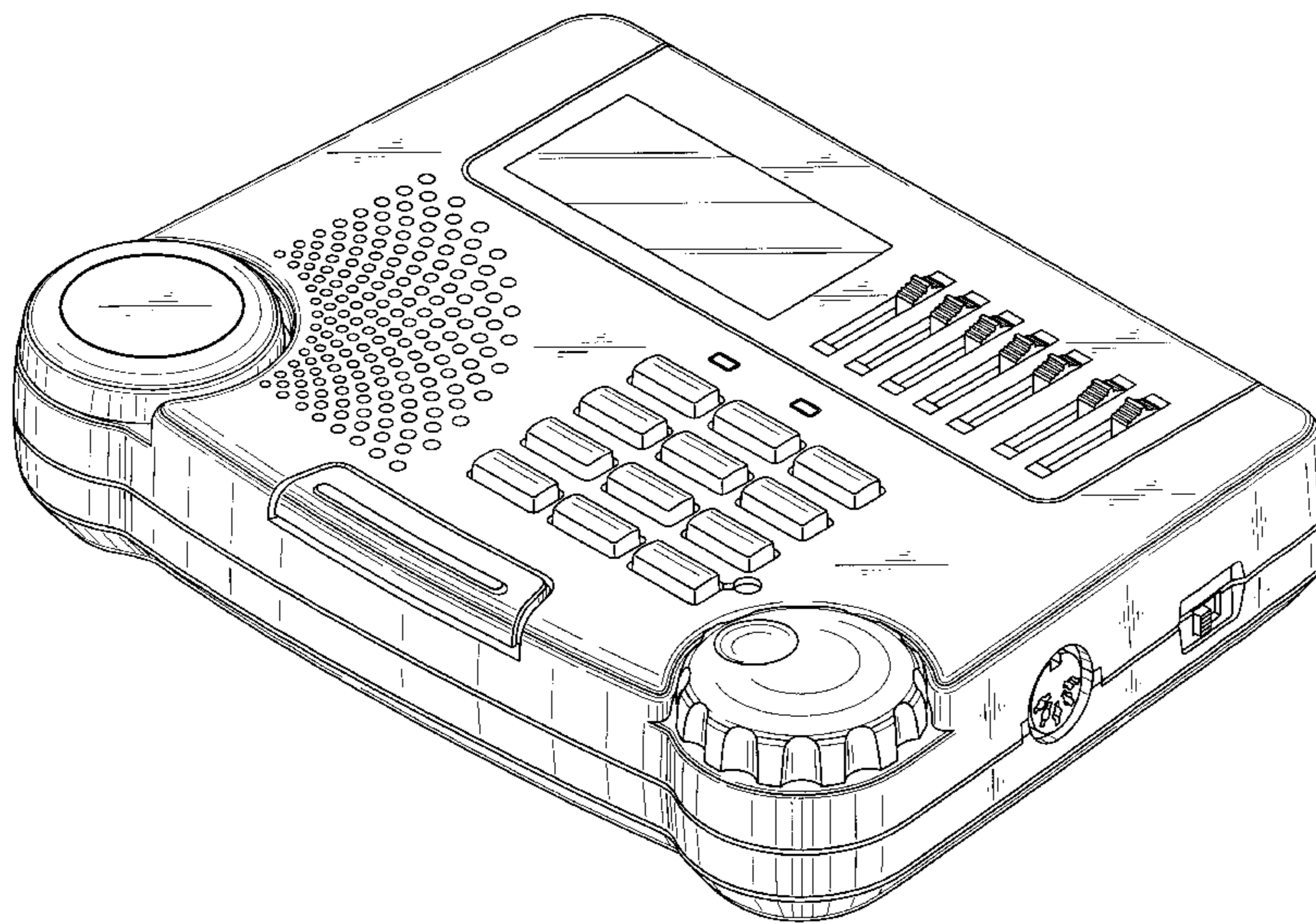
(57) **CLAIM**

The ornamental design for an electronic metronome, as shown.

DESCRIPTION

FIG. 1 is a perspective view of the top, front and right side of an electronic metronome showing our new design; FIG. 2 is a front elevational view thereof; FIG. 3 is a rear elevational view thereof; FIG. 4 is a right side elevational view thereof; FIG. 5 is a left side elevational view thereof; FIG. 6 is a top plan view thereof; and, FIG. 7 is a bottom plan view thereof.

1 Claim, 5 Drawing Sheets



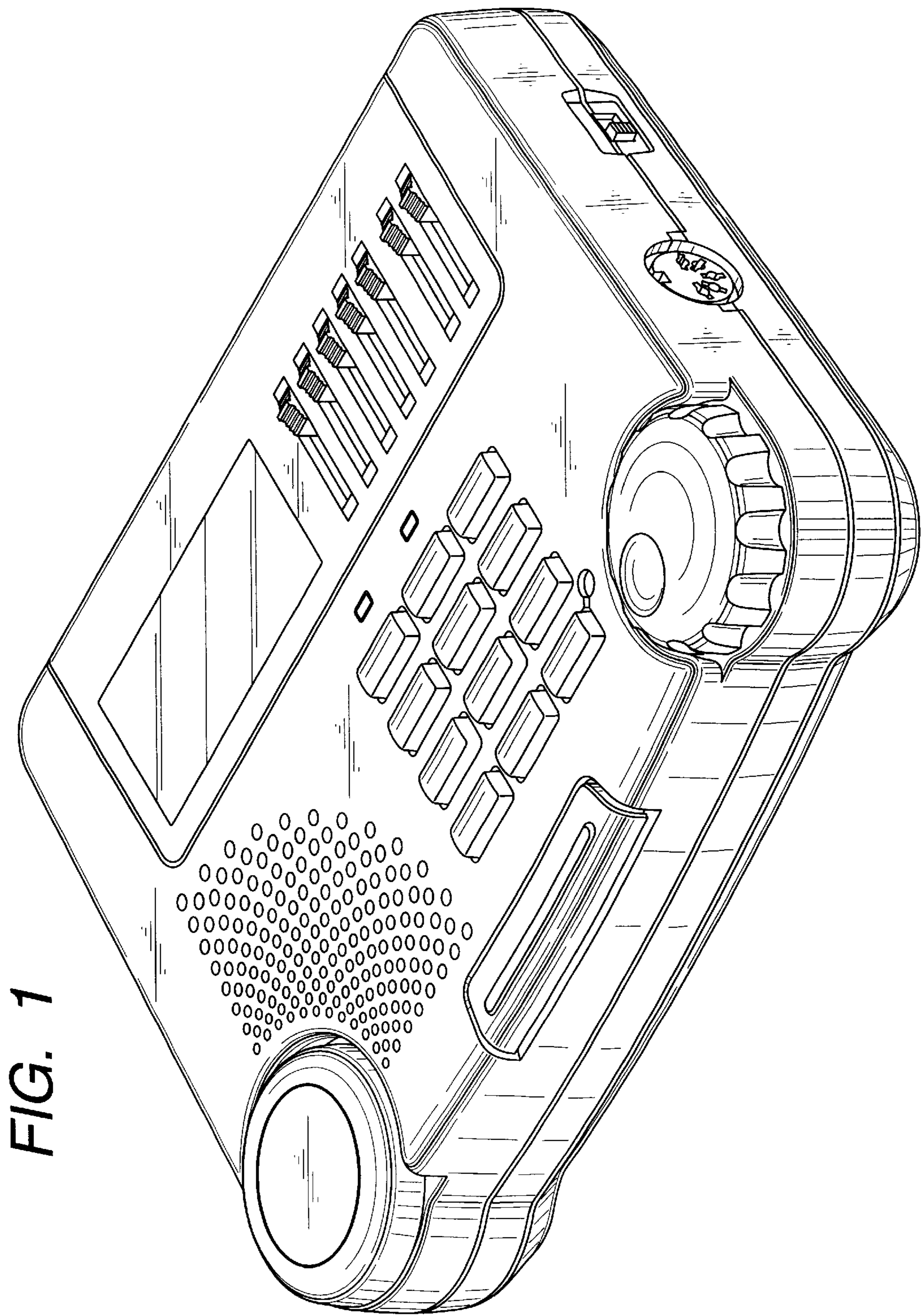


FIG. 1

FIG. 2

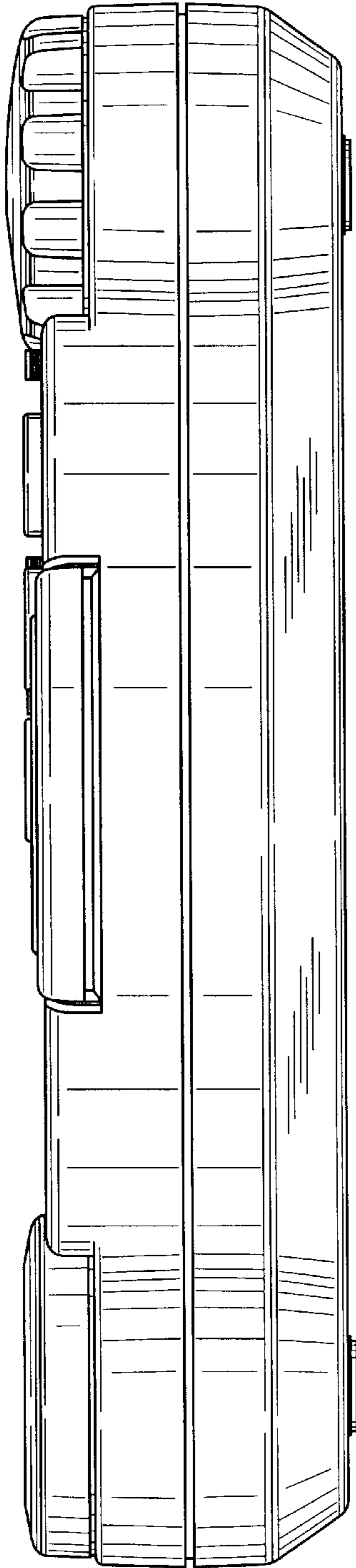


FIG. 3

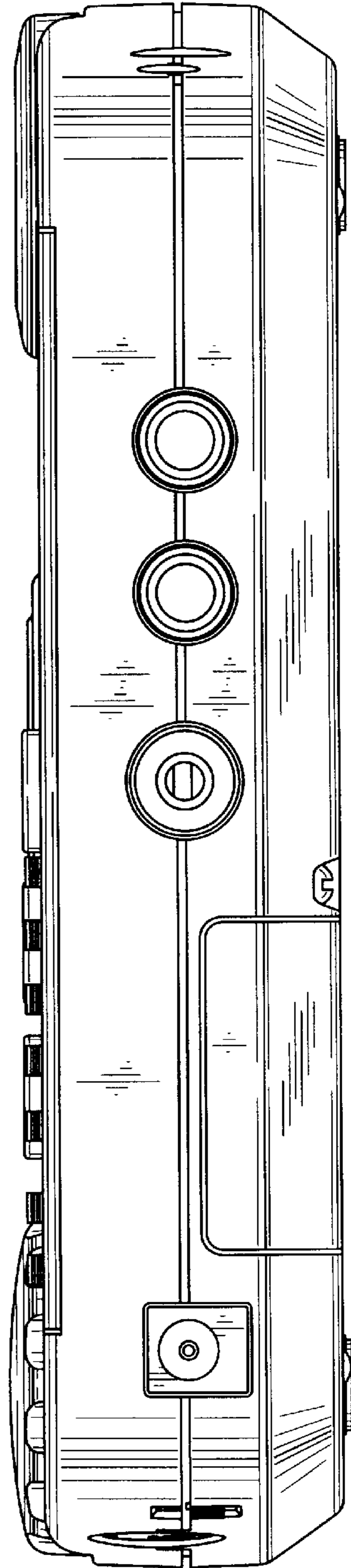


FIG. 4

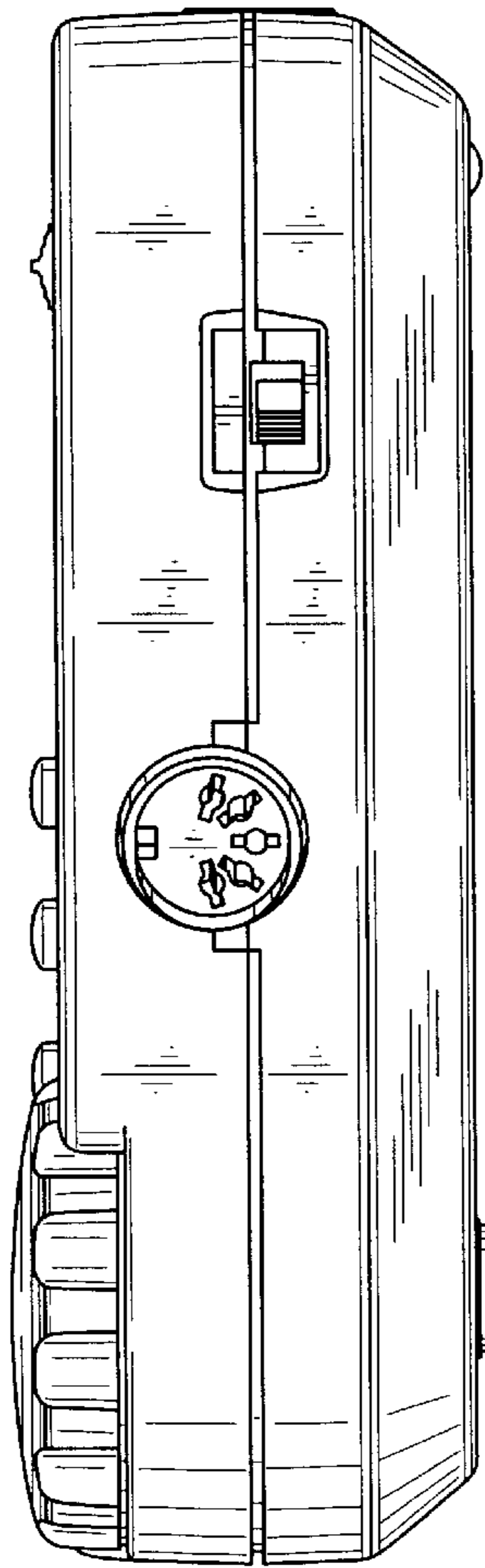


FIG. 5

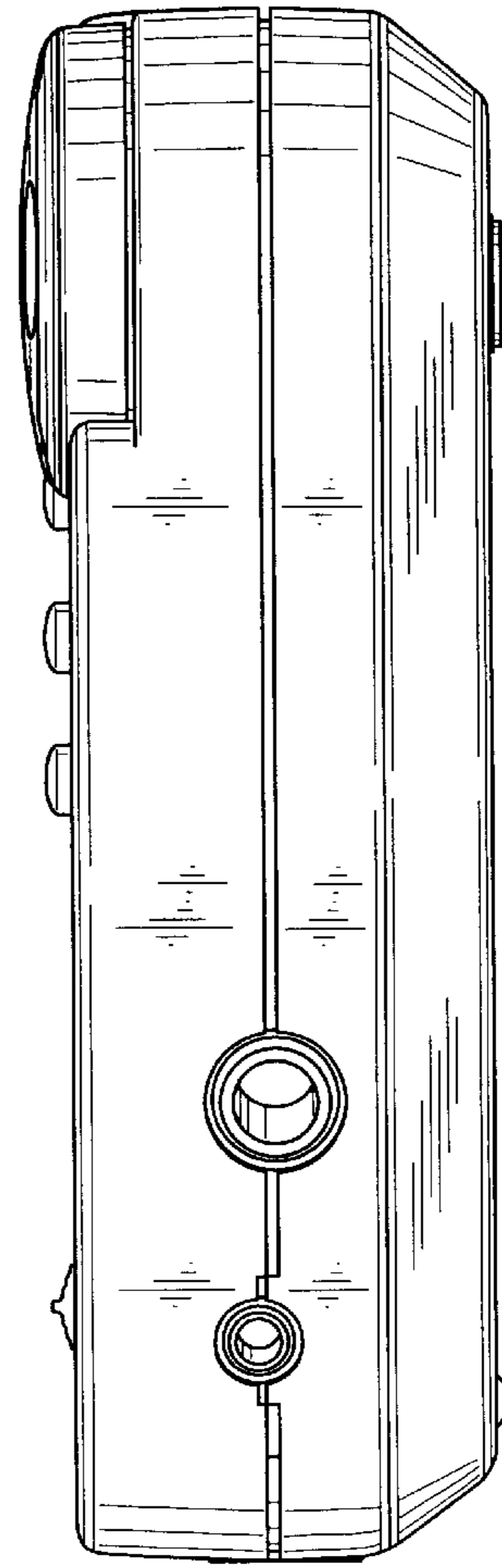


FIG. 6

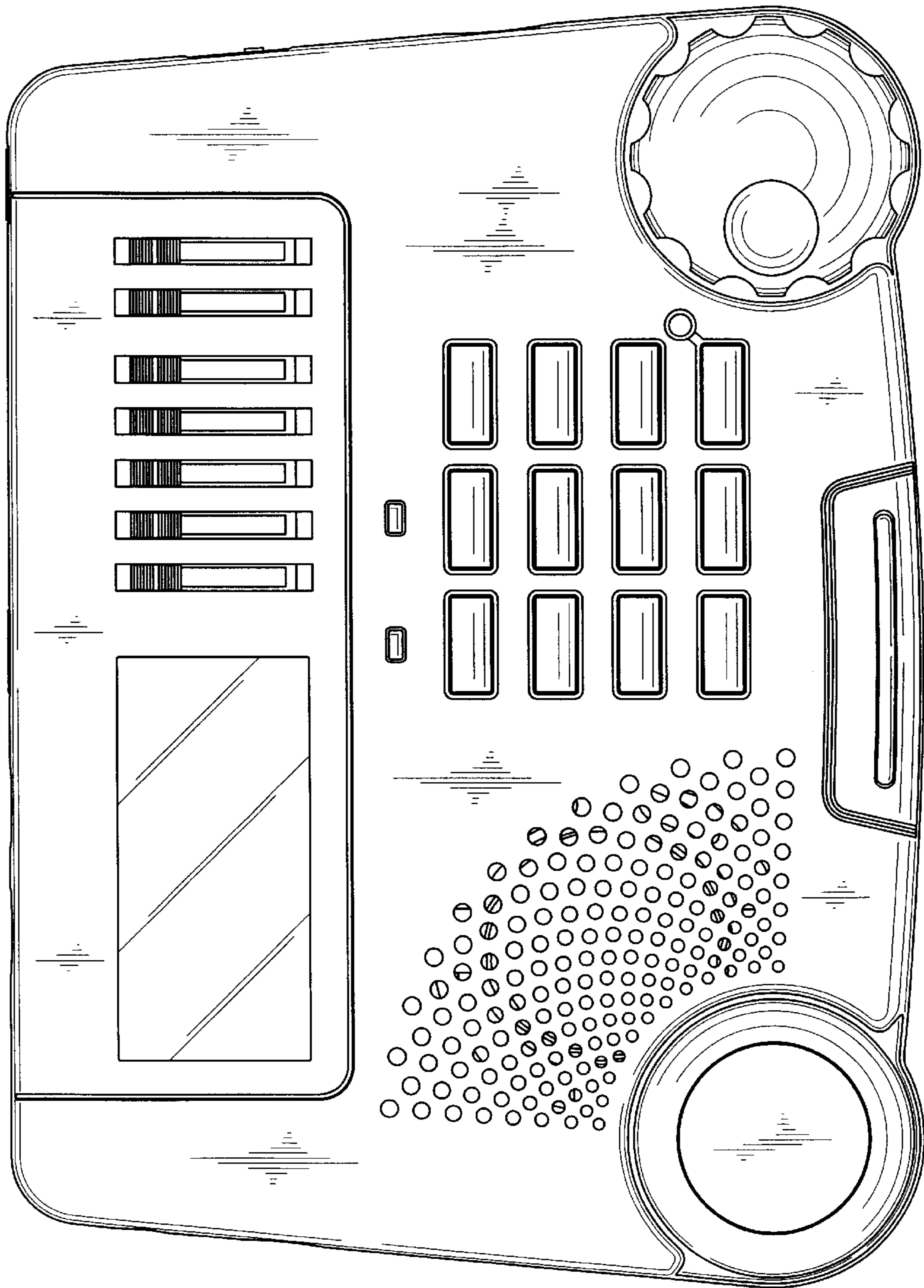


FIG. 7

