



US00D488074S

(12) **United States Design Patent**  
**Rousseau**

(10) **Patent No.:** **US D488,074 S**

(45) **Date of Patent:** **\*\* Apr. 6, 2004**

(54) **WATCH CASE**

(75) Inventor: **Xavier Rousseau, Paris (FR)**

(73) Assignee: **Fred Paris, Paris (FR)**

(\*\*) Term: **14 Years**

(21) Appl. No.: **29/178,905**

(22) Filed: **Apr. 1, 2003**

(51) **LOC (7) Cl.** ..... **10-02**

(52) **U.S. Cl.** ..... **D10/30**

(58) **Field of Search** ..... D10/1-40, 122-132;  
368/280-282, 276-277, 285, 294-295

(56) **References Cited**

**U.S. PATENT DOCUMENTS**

D161,485 S	*	1/1951	Megar	.....	D10/39
D252,855 S	*	9/1979	Perrin	.....	D10/39
5,181,192 A	*	1/1993	Paratte	.....	368/281
D455,354 S	*	4/2002	Parmigiani	.....	D10/30
D464,272 S	*	10/2002	Man	.....	D10/30
D474,116 S	*	5/2003	Fu et al.	.....	D10/30

**OTHER PUBLICATIONS**

Swiss Watch & Jewelry Journal—Feb. 1977—p. 241—  
Watches at right.\*

European Jeweler—Jul. 1974—p. 60—watches at top-left.\*

Jeweler's Circular—Keystone—Feb. 1978—p. 122—watch  
at center.\*

\* cited by examiner

*Primary Examiner*—Nelson C. Holtje  
(74) *Attorney, Agent, or Firm*—Christie, Parker & Hale,  
LLP

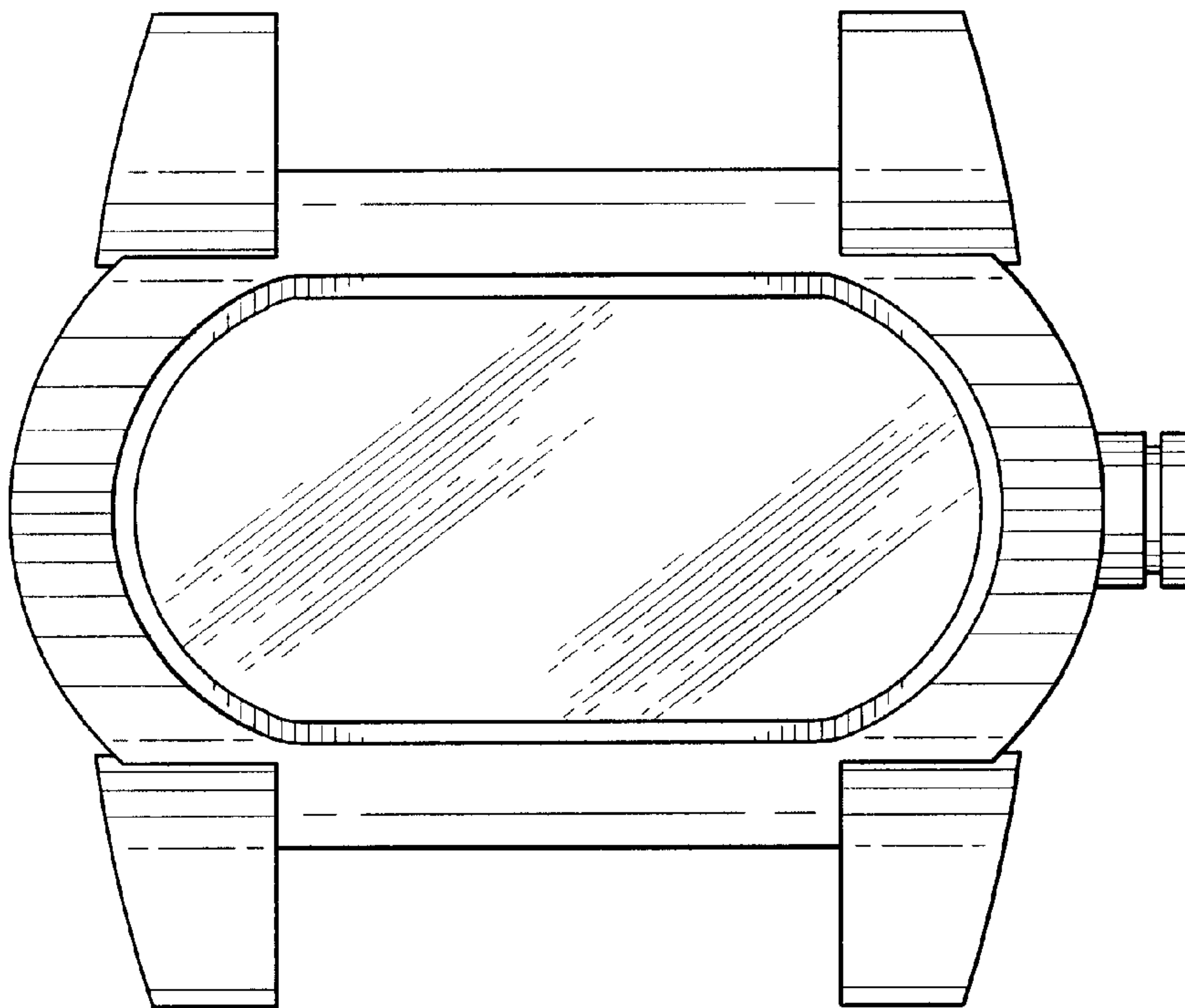
(57) **CLAIM**

The ornamental design for watch case, as shown and  
described.

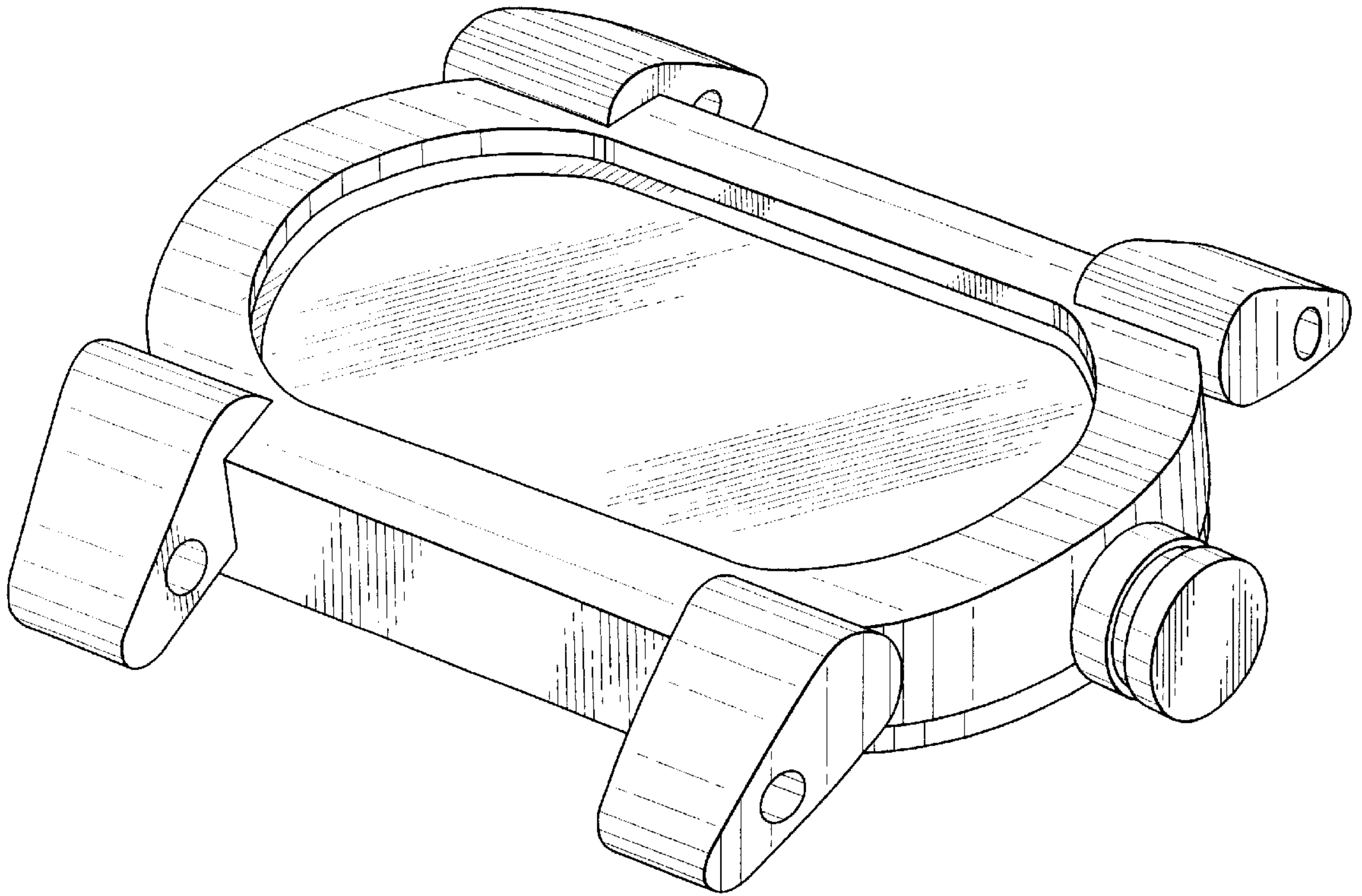
**DESCRIPTION**

FIG. 1 is a front right perspective view of the watch case;  
FIG. 2 is a front plan view of the watch case;  
FIG. 3 is a rear plan view of the watch case;  
FIG. 4 is a left end view of the watch case;  
FIG. 5 is a right end view of the watch case;  
FIG. 6 is a top end view of FIG. 4 taken from the left side  
thereof; and,  
FIG. 7 is a bottom end view of FIG. 4 taken from the right  
side thereof.

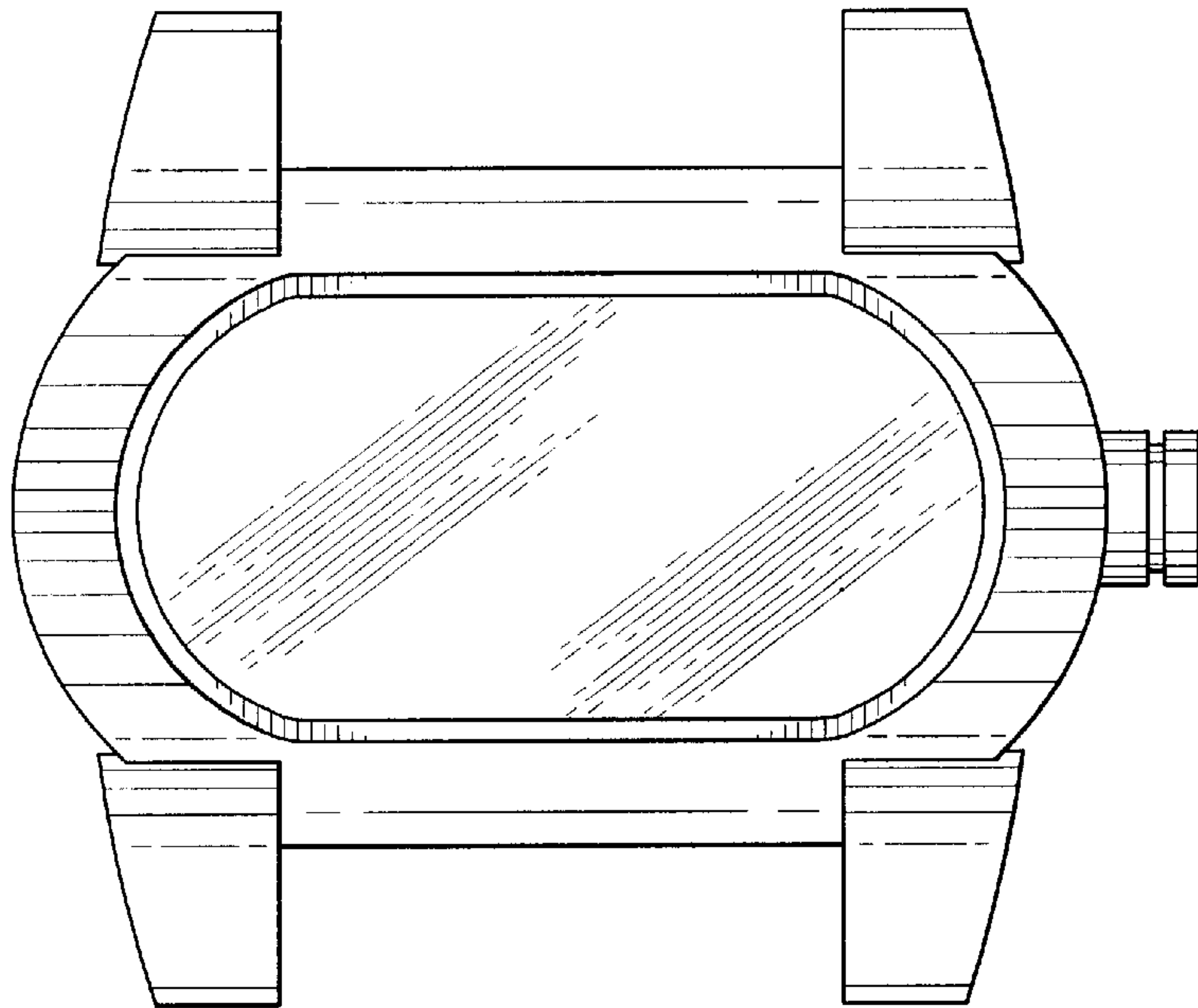
**1 Claim, 3 Drawing Sheets**



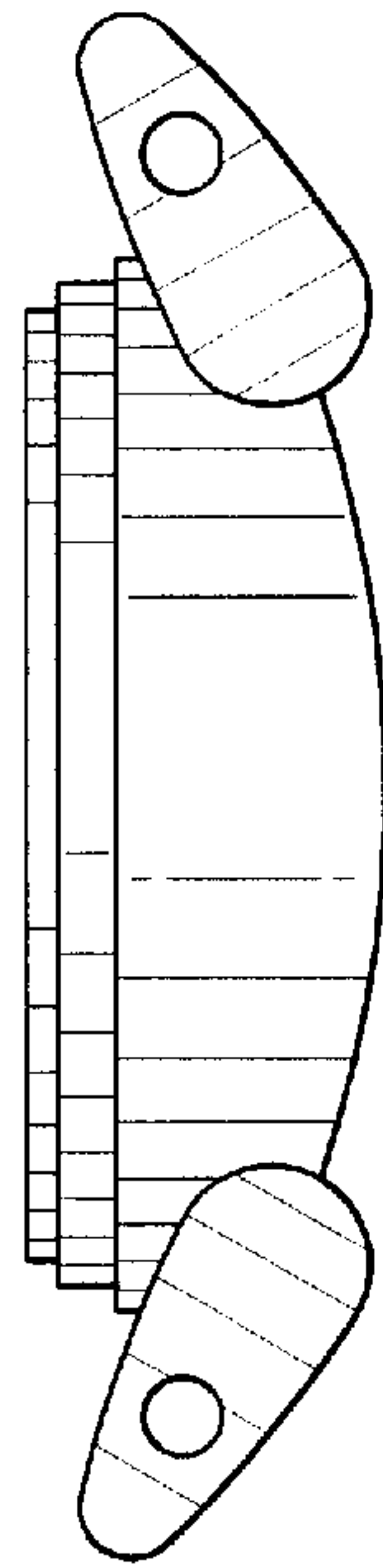
*FIG. 1*



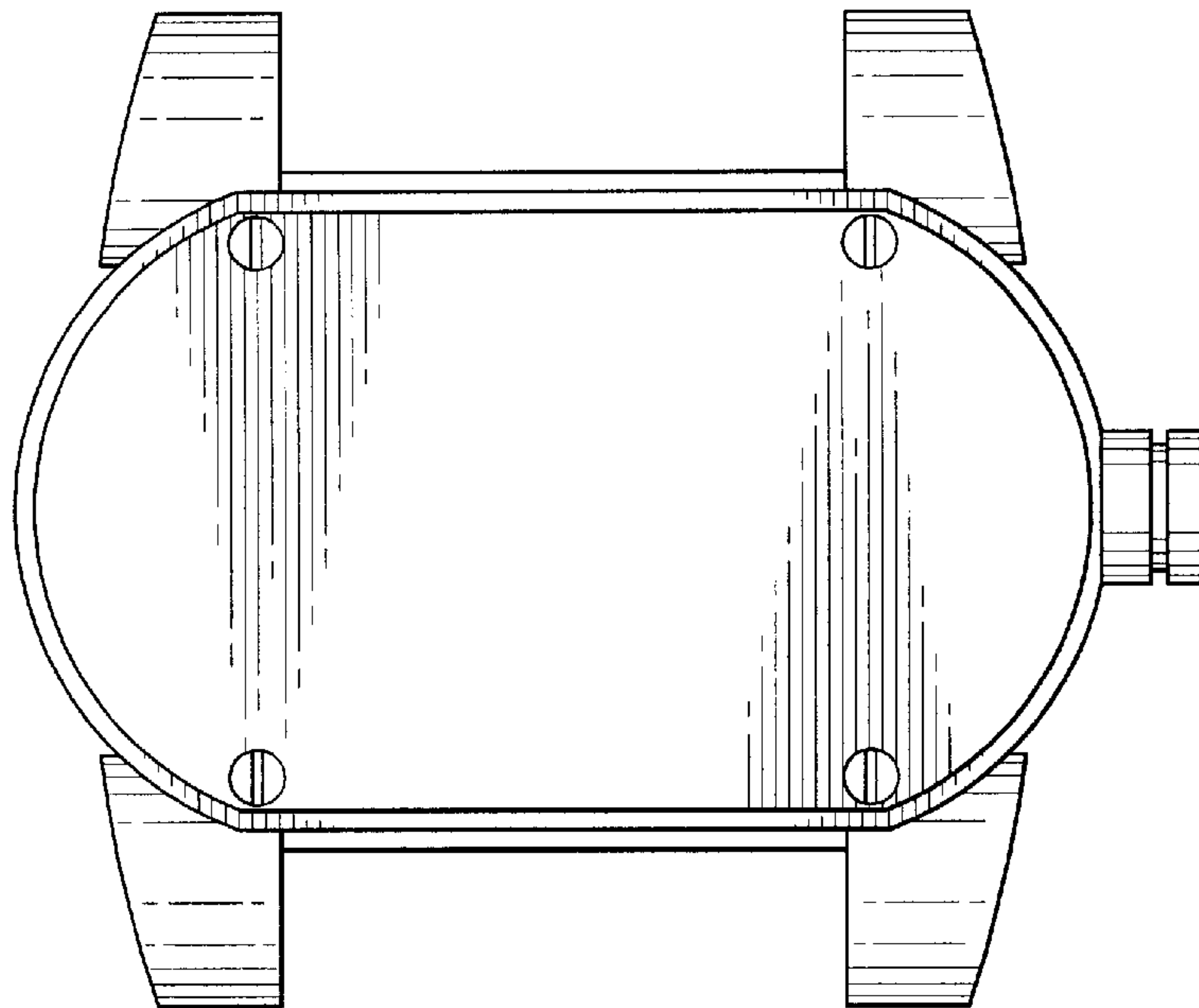
*FIG. 2*



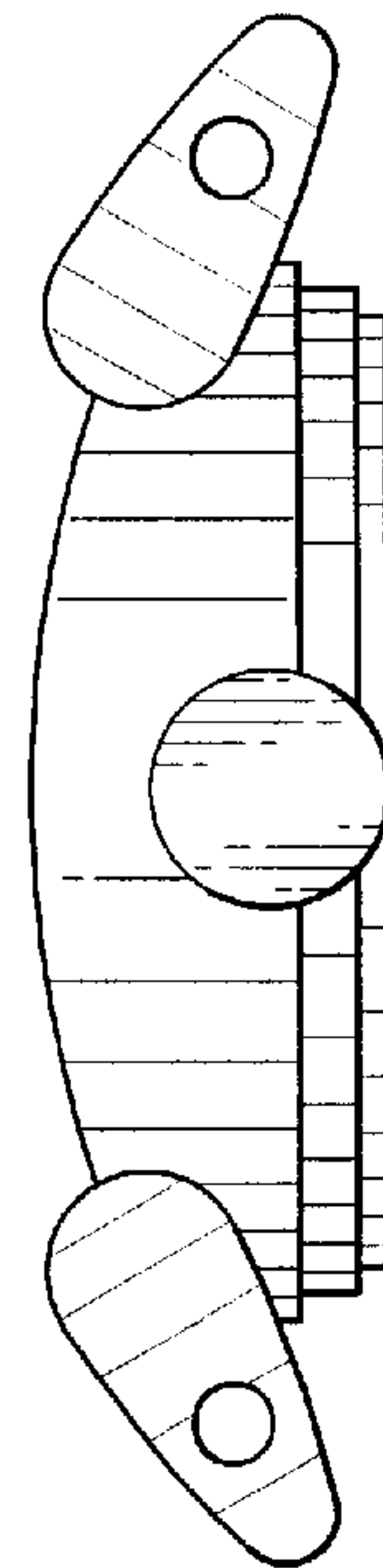
*FIG. 4*



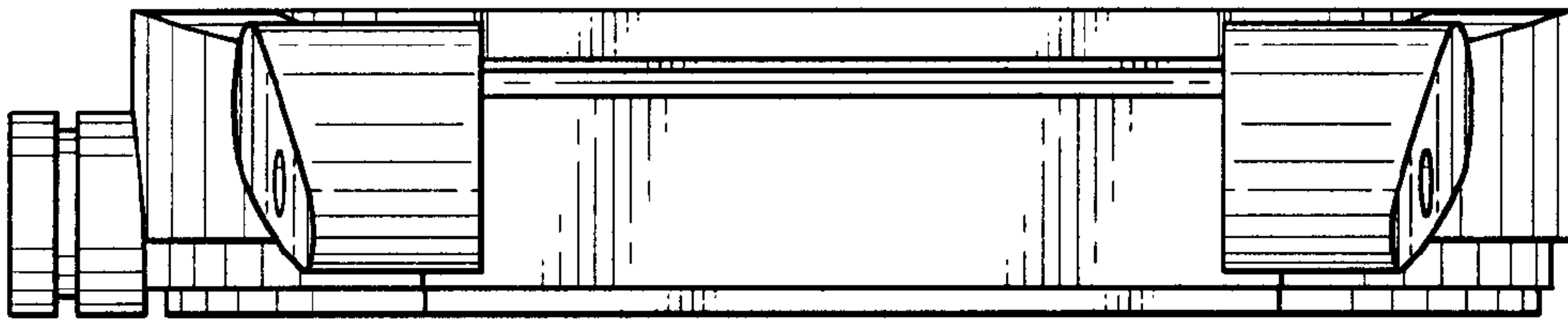
*FIG. 3*



*FIG. 5*



*FIG. 6*



*FIG. 7*

