



US00D488073S

(12) **United States Design Patent**
Rousseau

(10) **Patent No.:** **US D488,073 S**

(45) **Date of Patent:** **** Apr. 6, 2004**

(54) **WATCH CASE**

(75) Inventor: **Xavier Rousseau, Paris (FR)**

(73) Assignee: **Fred Paris, Paris (FR)**

(**) Term: **14 Years**

(21) Appl. No.: **29/178,904**

(22) Filed: **Apr. 1, 2003**

(51) **LOC (7) Cl.** **10-02**

(52) **U.S. Cl.** **D10/30**

(58) **Field of Search** D10/1-40, 122-132;
368/280-282, 276-277, 285, 294-295

(56) **References Cited**

U.S. PATENT DOCUMENTS

D161,485 S	*	1/1951	Megar	D10/39
D252,855 S	*	9/1979	Perrin	D10/39
5,181,192 A	*	1/1993	Paratte	368/281
D455,354 S	*	4/2002	Parmigiani	D10/30
D464,272 S	*	10/2002	Man	D10/30
D474,116 S	*	5/2003	Fu et al.	D10/30

OTHER PUBLICATIONS

Swiss Watch & Jewelry Journal—Feb. 1977—p.241—
Watches at right.*

European Jeweler—Jul. 1974—p.60—watches at top-left.*

Jeweler's Circular—Keystone—Feb. 1978—p. 122—watch
at center.*

* cited by examiner

Primary Examiner—Nelson C. Holtje

(74) *Attorney, Agent, or Firm*—Christie, Parker & Hale,
LLP

(57) **CLAIM**

The ornamental design for watch case, as shown and
described.

DESCRIPTION

FIG. 1 is a front right perspective view of the watch case;

FIG. 2 is a front plan view of the watch case;

FIG. 3 is a back plan view of the watch case;

FIG. 4 is a left side view of the watch case;

FIG. 5 is a right side view of the watch case;

FIG. 6 is a top side view of FIG. 4 taken from the left side
thereof; and,

FIG. 7 is a bottom side view of FIG. 4 taken from the right
side thereof.

1 Claim, 3 Drawing Sheets

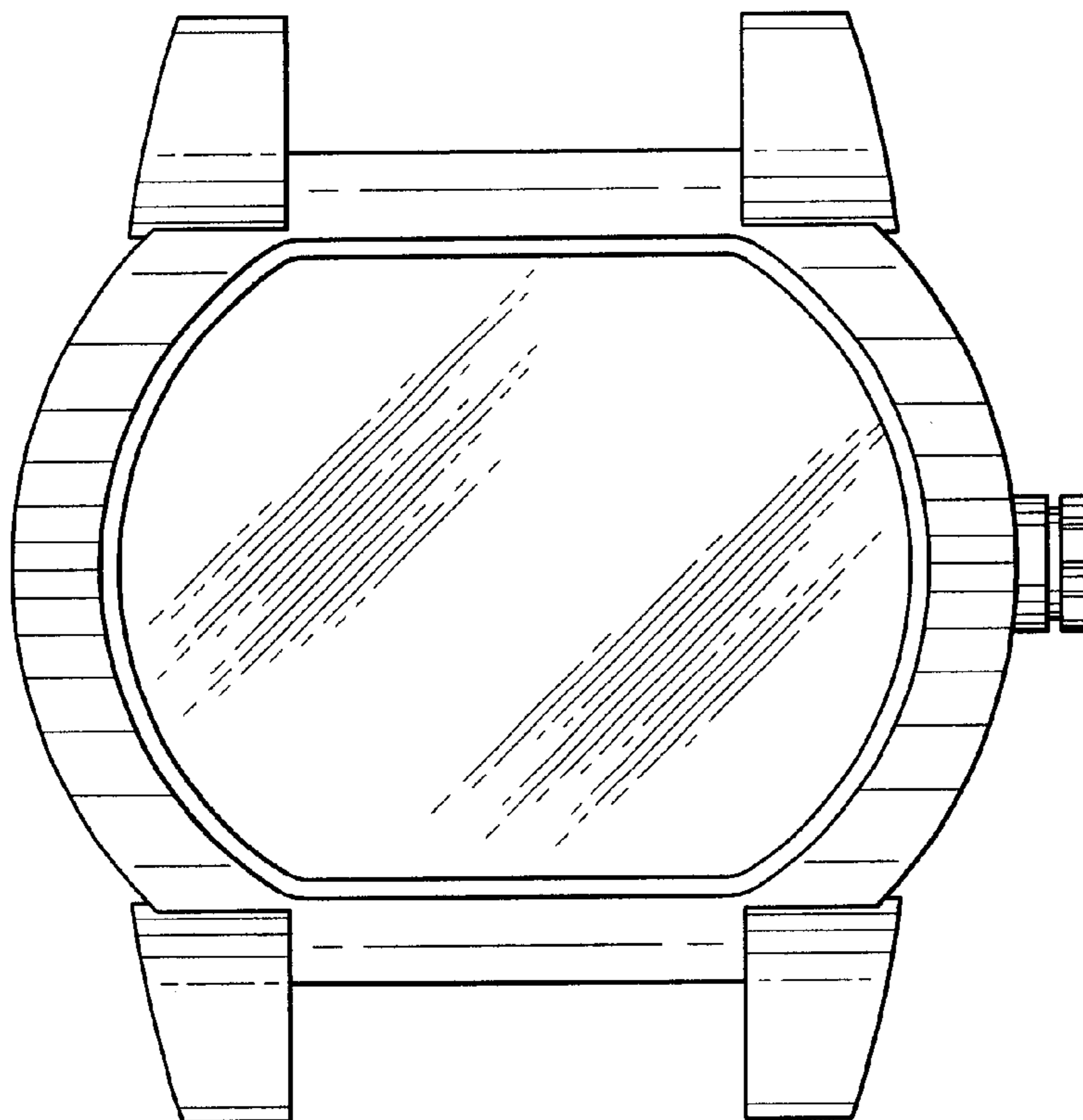


FIG. 1

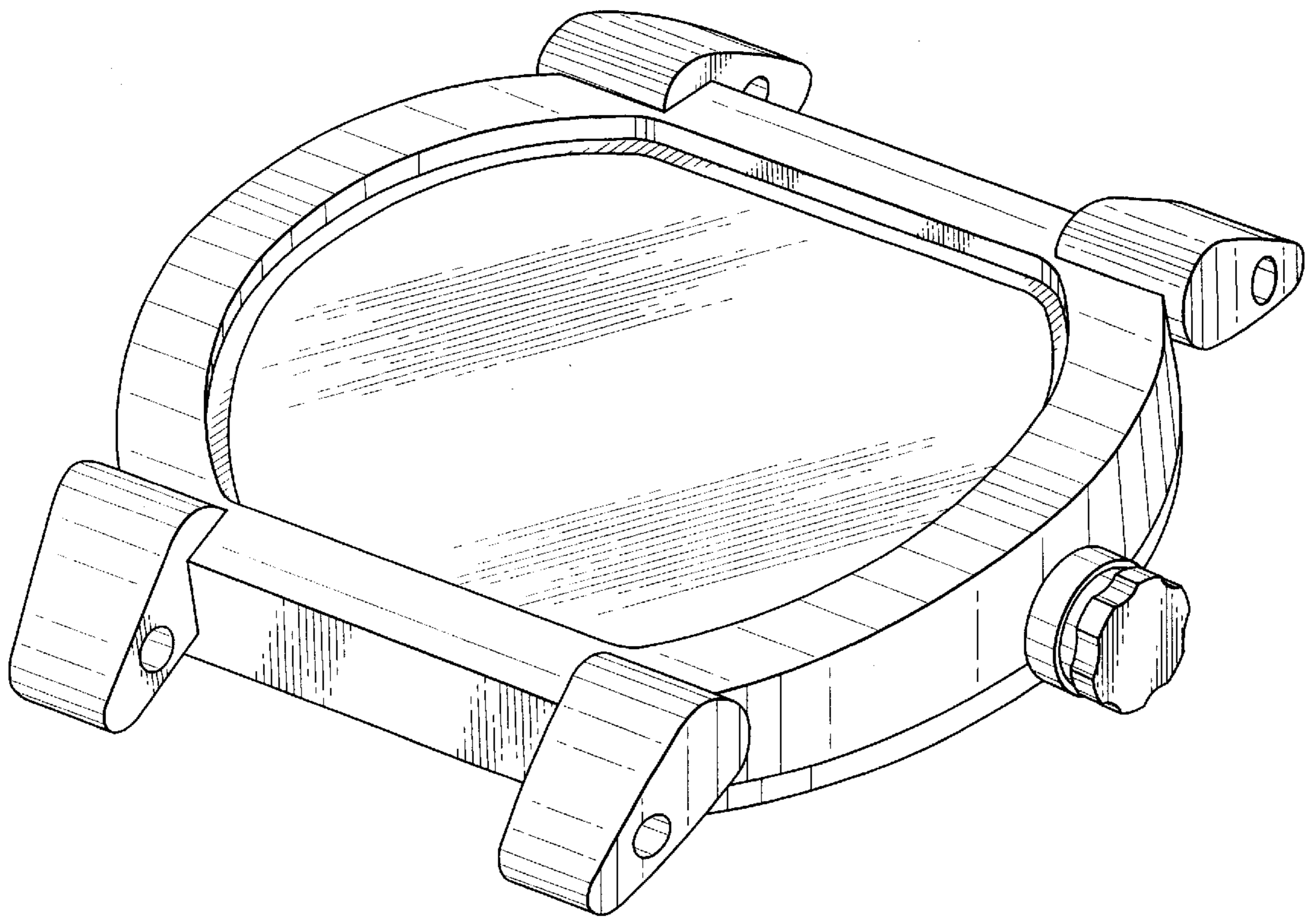


FIG. 2

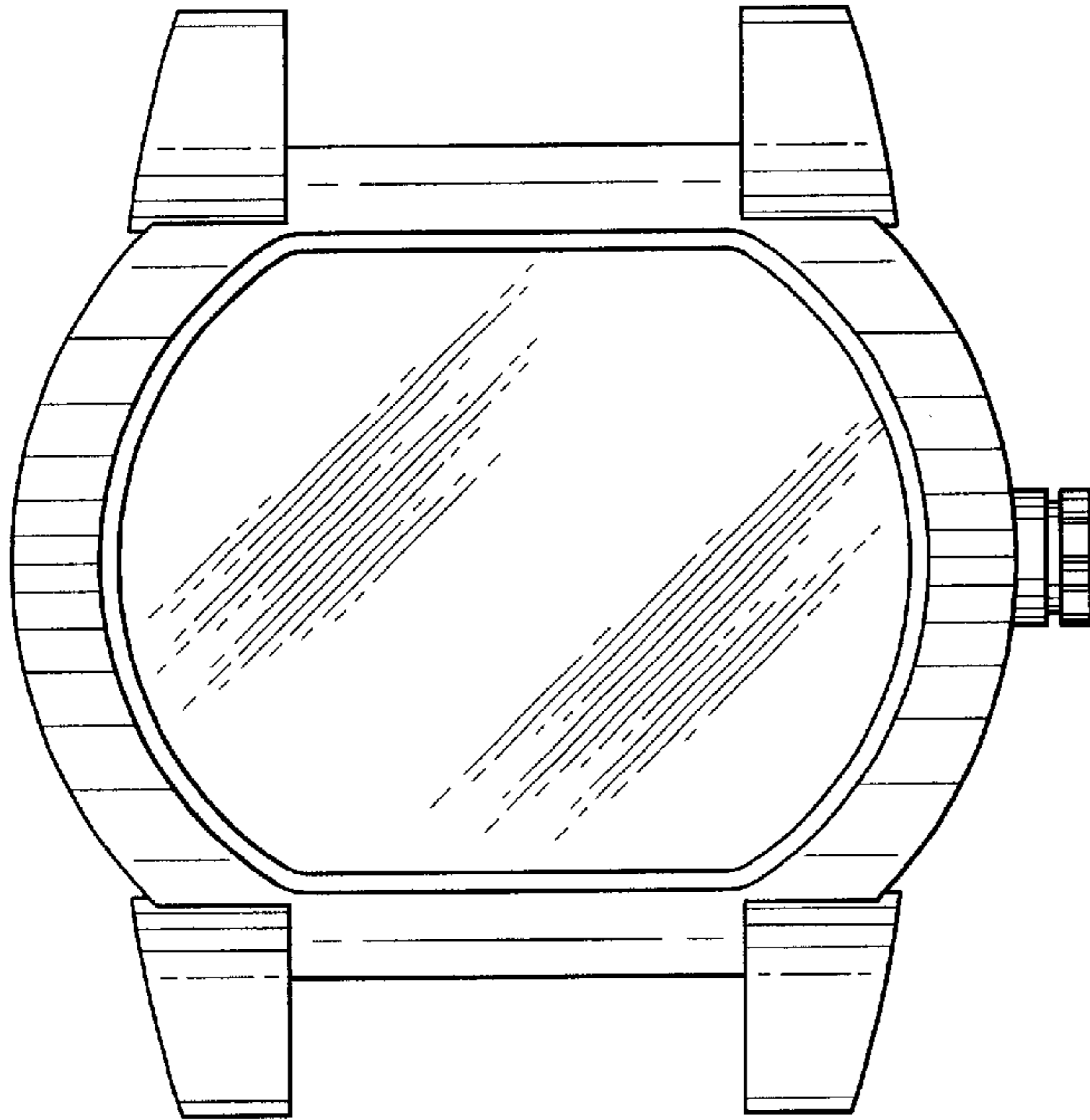


FIG. 4

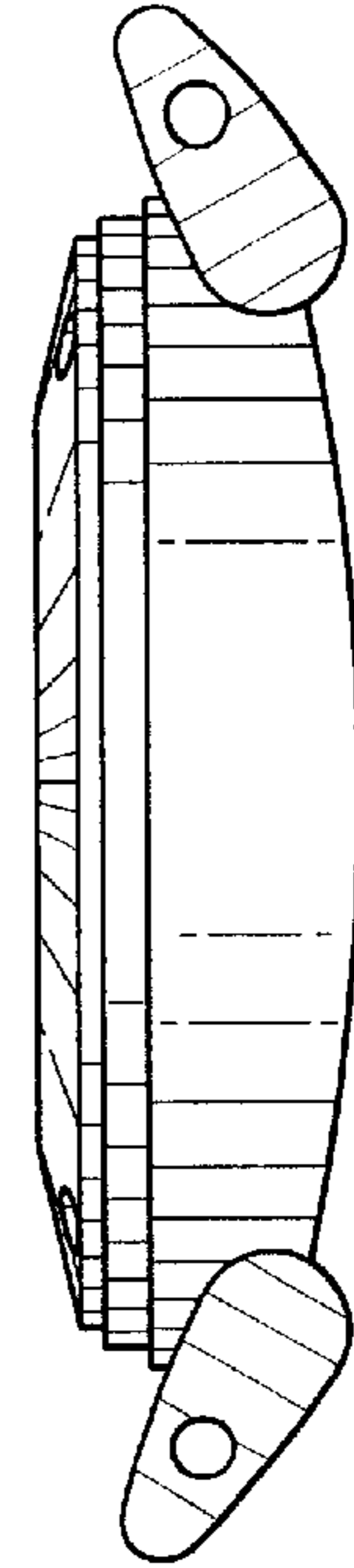


FIG. 3

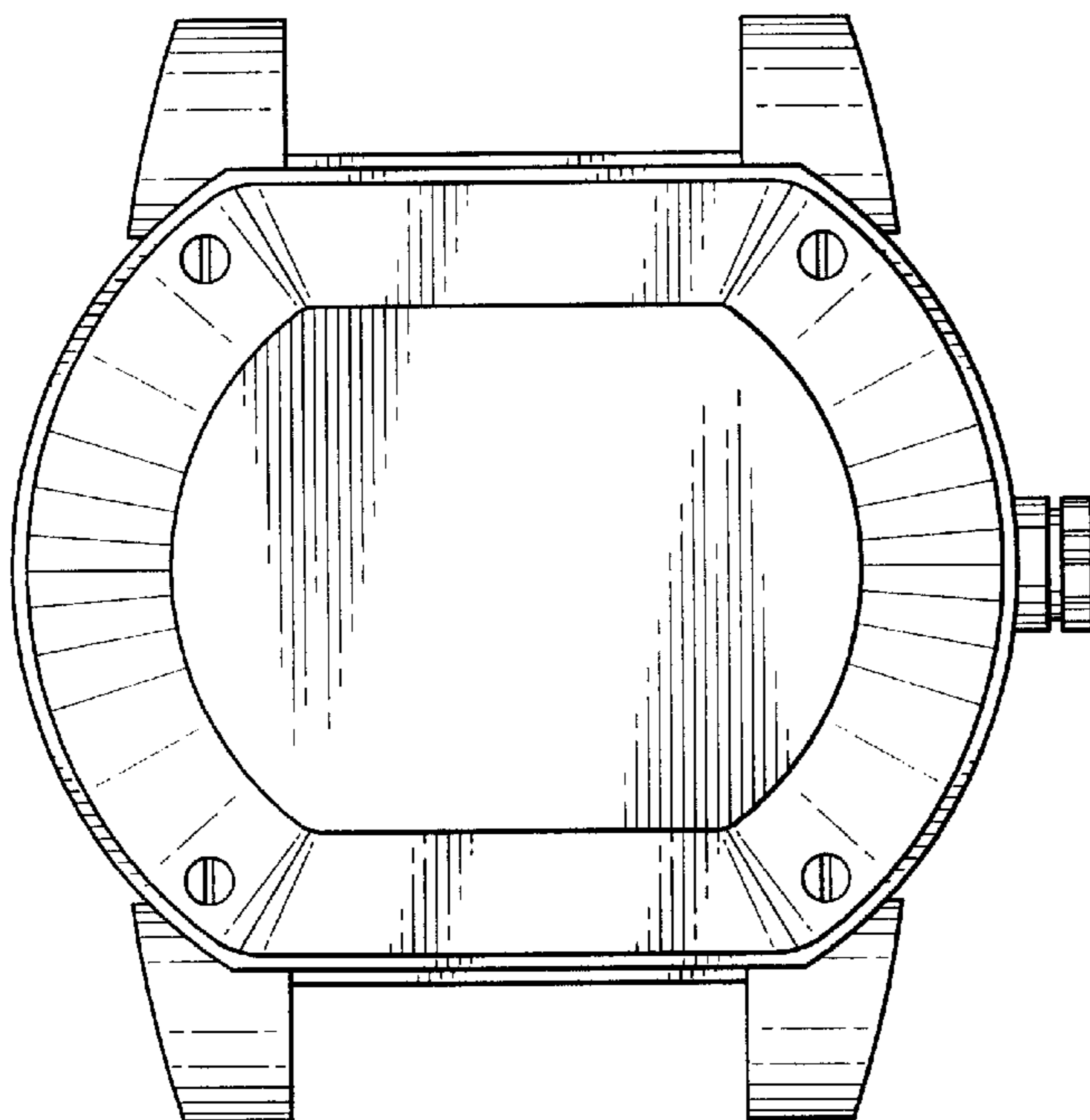


FIG. 5

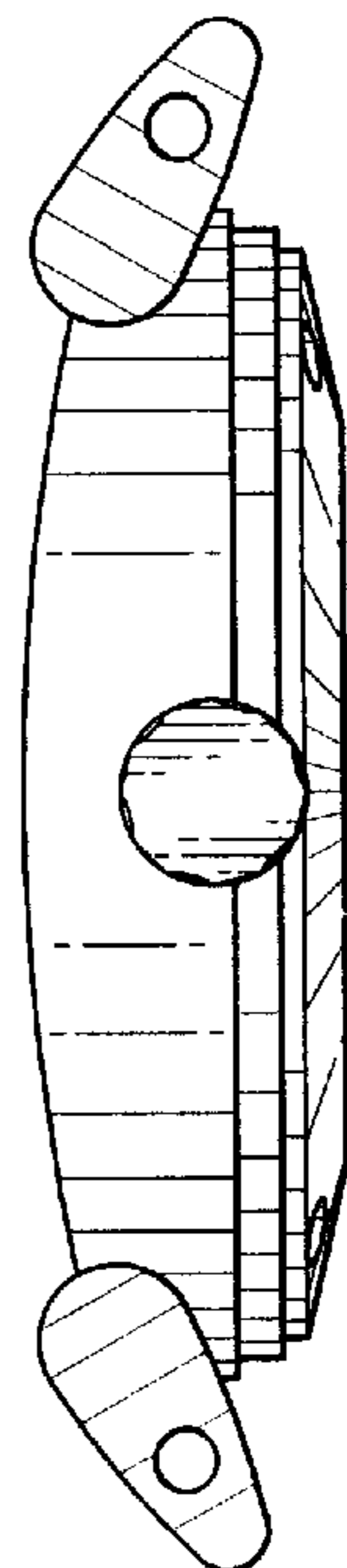


FIG. 6



FIG. 7

