



US00D488056S

(12) **United States Design Patent**  
**Dion**

(10) **Patent No.:** **US D488,056 S**

(45) **Date of Patent:** **\*\* Apr. 6, 2004**

(54) **PALLET RACK REPAIR STRUCTURE**

(76) **Inventor:** **Dany Dion**, 2583 Adonis, La Plaine,  
Quebec (CA), J7M 2B1

(\*\*) **Term:** **14 Years**

(21) **Appl. No.:** **29/158,630**

(22) **Filed:** **Apr. 5, 2002**

(51) **LOC (7) Cl.** ..... **08-05**

(52) **U.S. Cl.** ..... **D8/381**

(58) **Field of Search** ..... D34/38, 35; D8/381;  
248/235, 237, 239, 243, 247, 251; D25/127,  
66, 68, 62; D6/567

(56) **References Cited**

**U.S. PATENT DOCUMENTS**

2,332,477	A	*	10/1943	Thornley	.....	182/87
2,833,503	A	*	5/1958	Harshbarger	.....	248/235
2,882,101	A	*	4/1959	Michalak et al.	.....	248/235
D213,802	S	*	4/1969	Manville	.....	D8/394
3,595,510	A	*	7/1971	Hutchinson	.....	248/175
3,698,680	A	*	10/1972	Shoemaker	.....	249/189
3,957,240	A	*	5/1976	Johansson	.....	248/214
4,372,425	A	*	2/1983	Murphy	.....	182/186.9
D313,853	S	*	1/1991	Hutchins	.....	D25/68
5,156,235	A	*	10/1992	Preston	.....	182/186.9

D337,510	S	*	7/1993	Nasca	.....	D8/354
D368,647	S	*	4/1996	Koebbe	.....	D8/355
5,503,358	A	*	4/1996	Lapp	.....	248/235
D413,681	S	*	9/1999	Zumwalt	.....	D25/68
D415,015	S	*	10/1999	Pare et al.	.....	D8/381

\* cited by examiner

*Primary Examiner*—Cynthia E. Ramirez  
(74) *Attorney, Agent, or Firm*—Eric Fincham

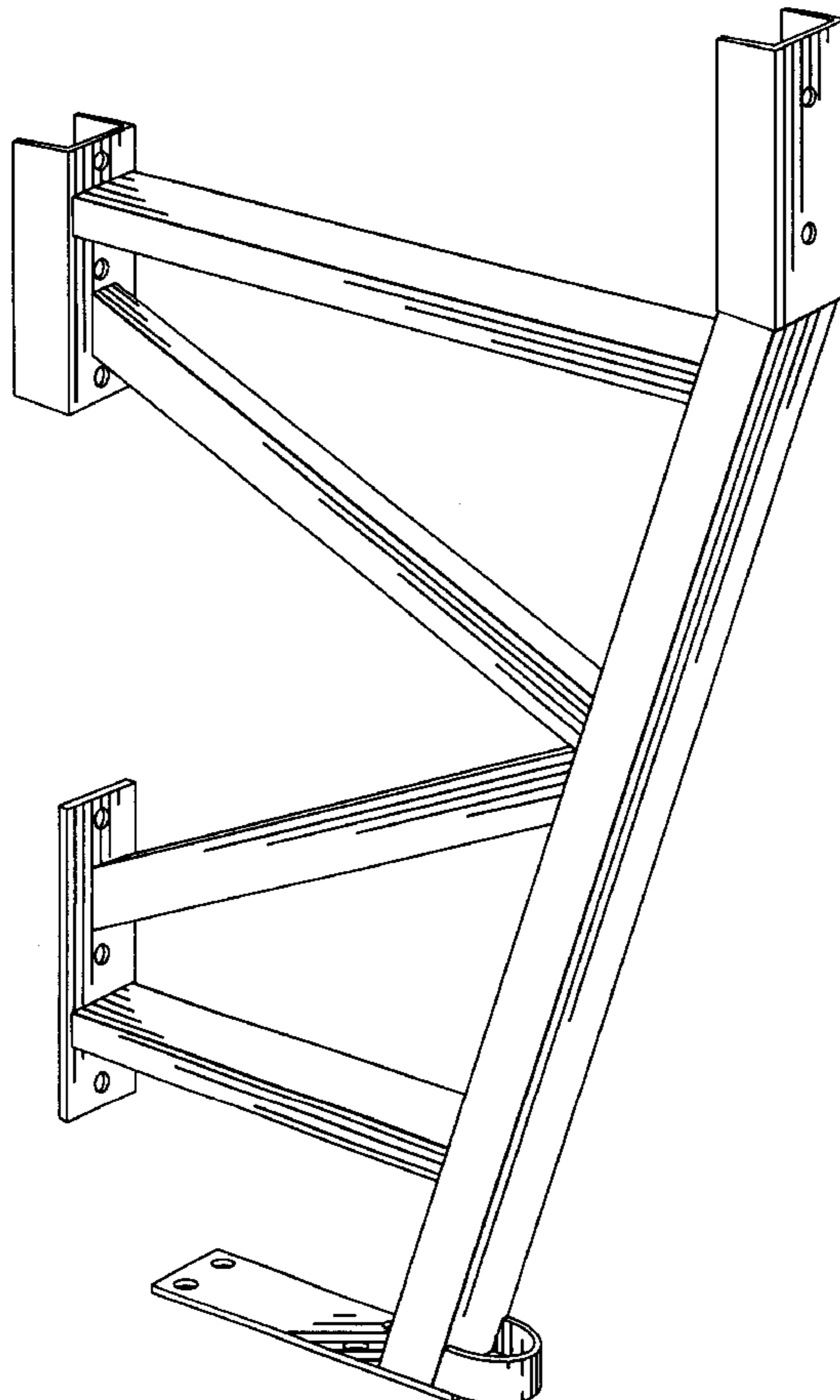
(57) **CLAIM**

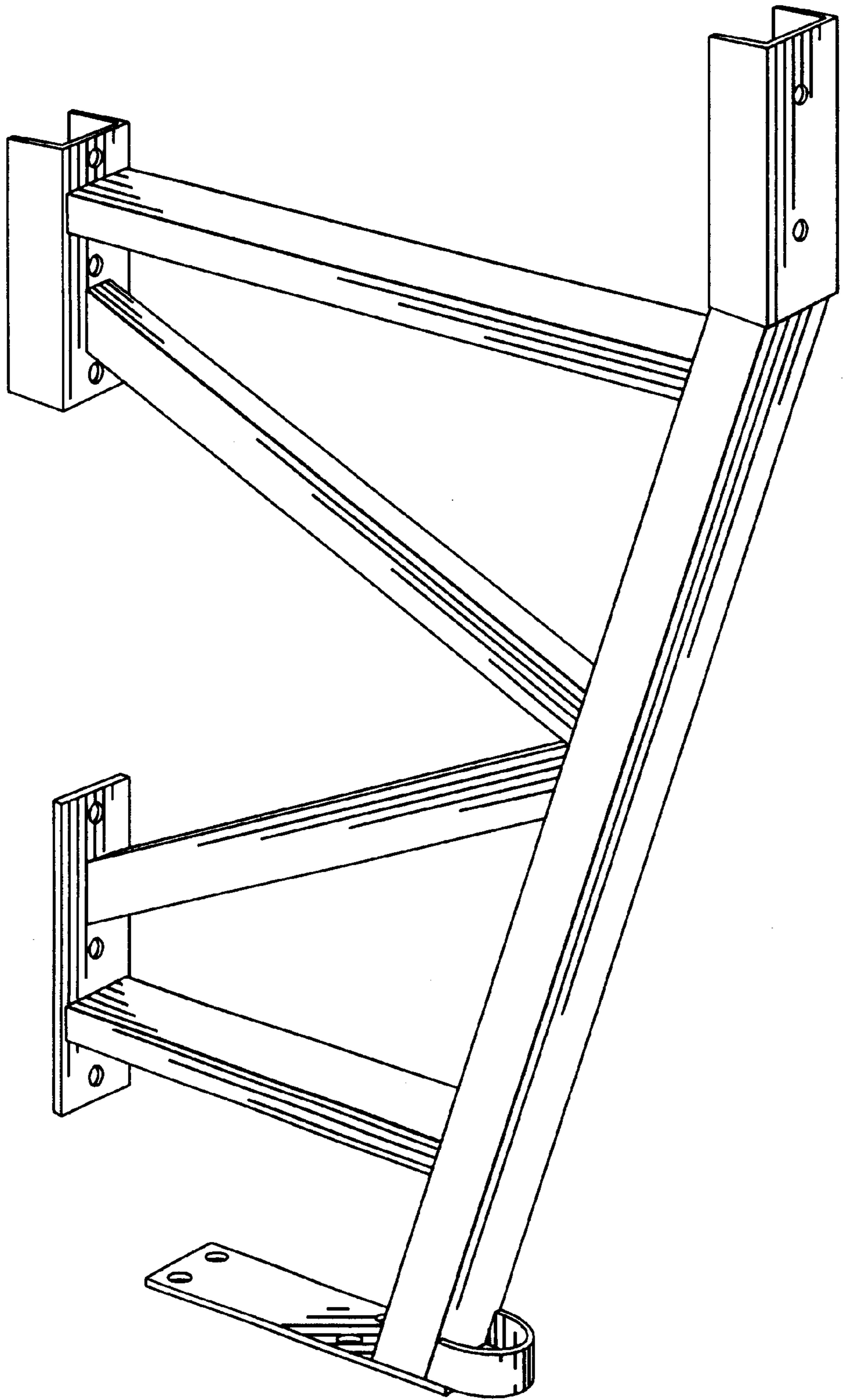
The ornamental design for a pallet rack repair structure, as shown and described.

**DESCRIPTION**

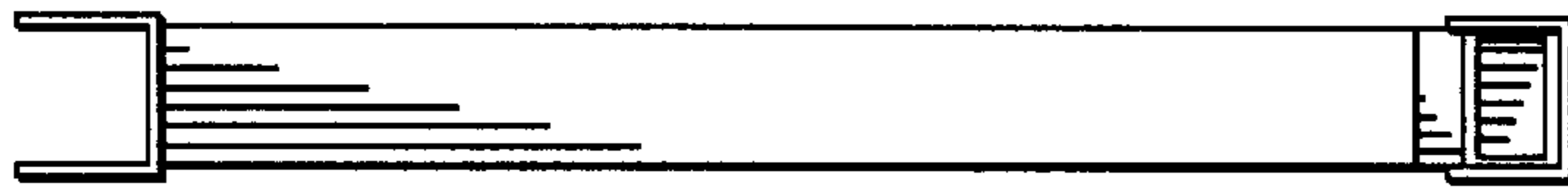
FIG. 1 is a perspective view of the pallet rack repair structure;  
FIG. 2 is a side elevational view thereof as seen from the left hand side of FIG. 1;  
FIG. 3 is a front elevational view thereof;  
FIG. 4 is a top plan view thereof;  
FIG. 5 is a bottom plan view thereof;  
FIG. 6 is a side elevational view thereof as seen from the right hand side of FIG. 1; and,  
FIG. 7 is a rear elevational view thereof.

**1 Claim, 3 Drawing Sheets**

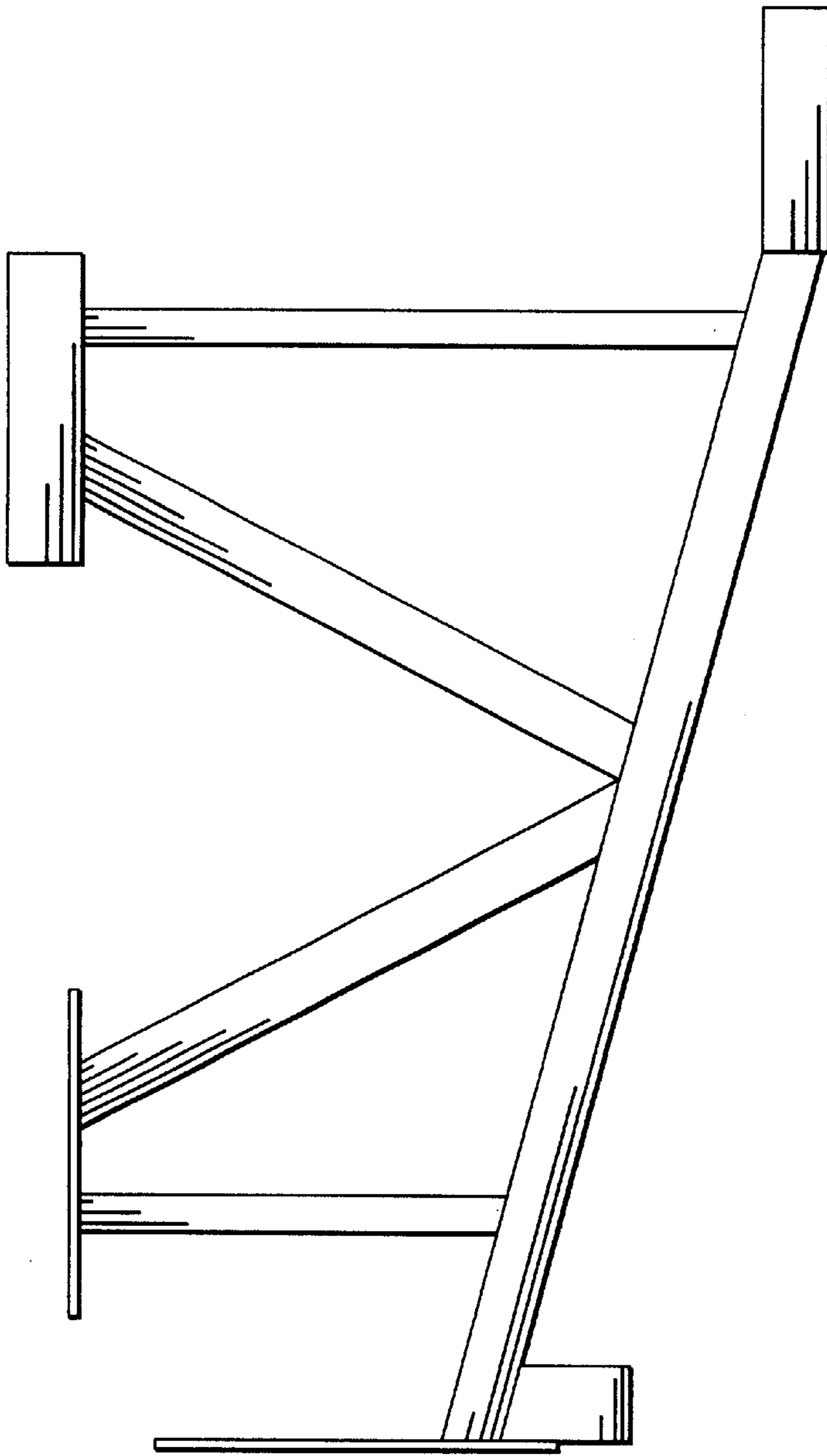




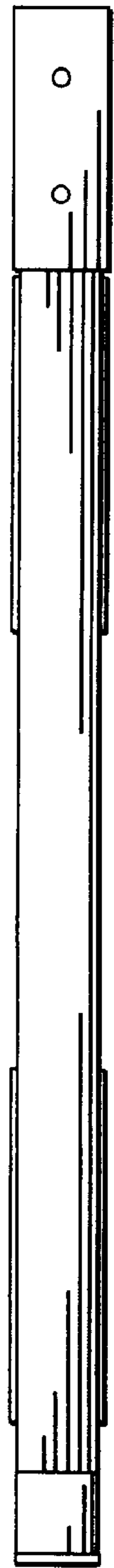
**Fig-1**



**Fig-4**



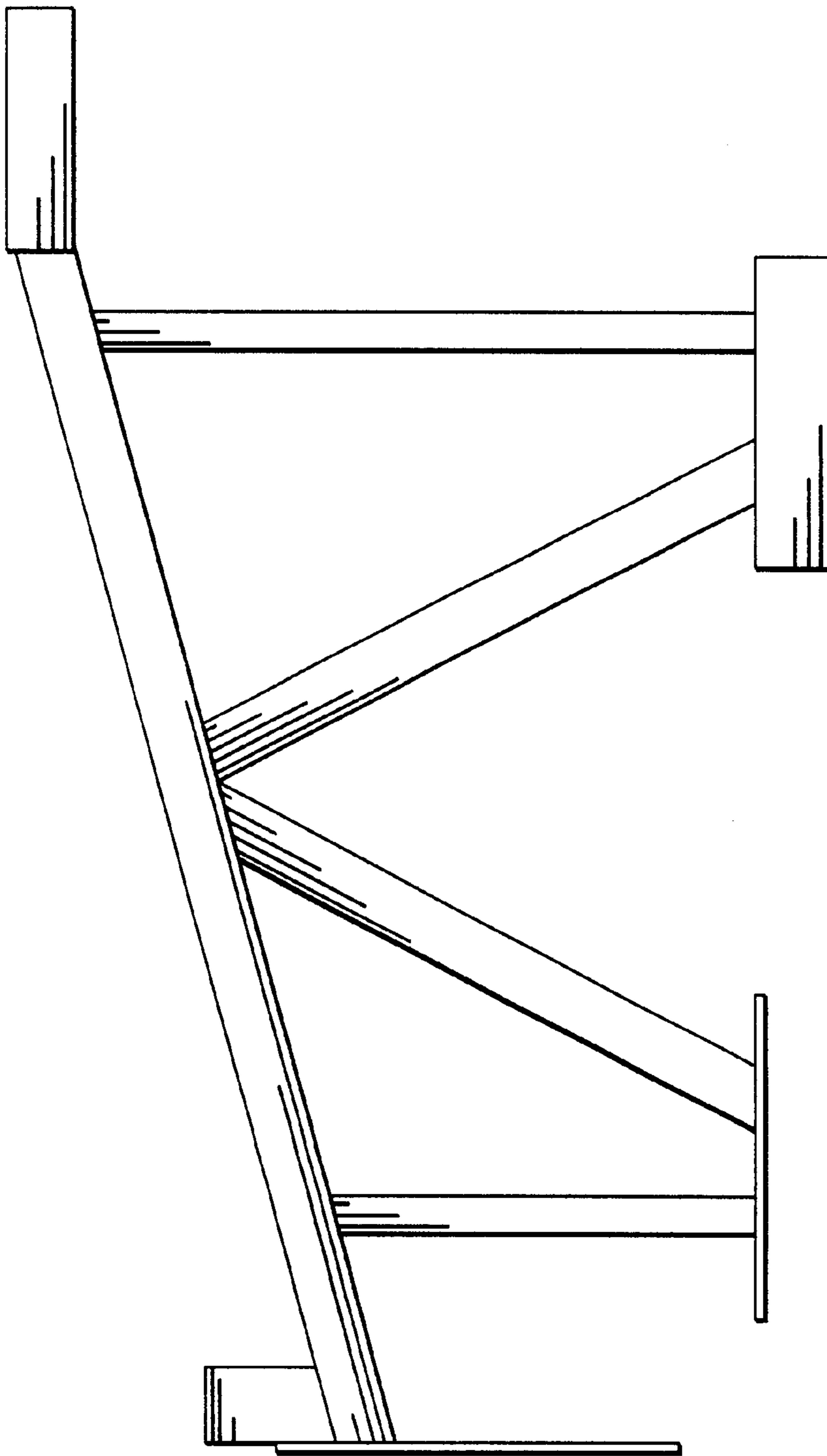
**Fig-2**



**Fig-3**



**Fig-5**



**Fig-6**



**Fig-7**