



US00D488051S

(12) **United States Design Patent**
Fonfeder

(10) **Patent No.:** **US D488,051 S**

(45) **Date of Patent:** **** Apr. 6, 2004**

(54) **COMBINATION PADLOCK**

D453,675 S * 2/2002 Liu D8/335

(75) Inventor: **Danny Fonfeder**, Montreal (CA)

* cited by examiner

(73) Assignee: **Buffalo Eastcantra Inc.**, St-Laurent (CA)

Primary Examiner—Prabhakar Deshmukh
(74) *Attorney, Agent, or Firm*—Schweitzer Cornman Gross & Bondell LLP

(**) Term: **14 Years**

(57) **CLAIM**

(21) Appl. No.: **29/176,733**

I claim the ornamental design for the combination padlock, as shown and described.

(22) Filed: **Feb. 26, 2003**

DESCRIPTION

(51) **LOC (7) Cl.** **08-07**

(52) **U.S. Cl.** **D8/335**

(58) **Field of Search** D8/330, 331, 335, D8/343, 346, 334; D9/307; 70/14, 20, 21, 22, 51, 54, 52, 443, 53; 206/457, 458, 315.9; 220/4.21, 4.25, 4.24, 335, 343, 346; D7/901

FIG. 1 is a perspective view of a combination padlock according to the present design;
FIG. 2 is a front elevational view of the combination padlock of FIG. 1;
FIG. 3 is a right side elevational view of the combination padlock of FIG. 1;
FIG. 4 is a left side elevational view of the combination padlock of FIG. 1;
FIG. 5 a top plan view of the combination padlock of FIG. 1; and,
FIG. 6 is a bottom plan view of the combination padlock of FIG. 1.

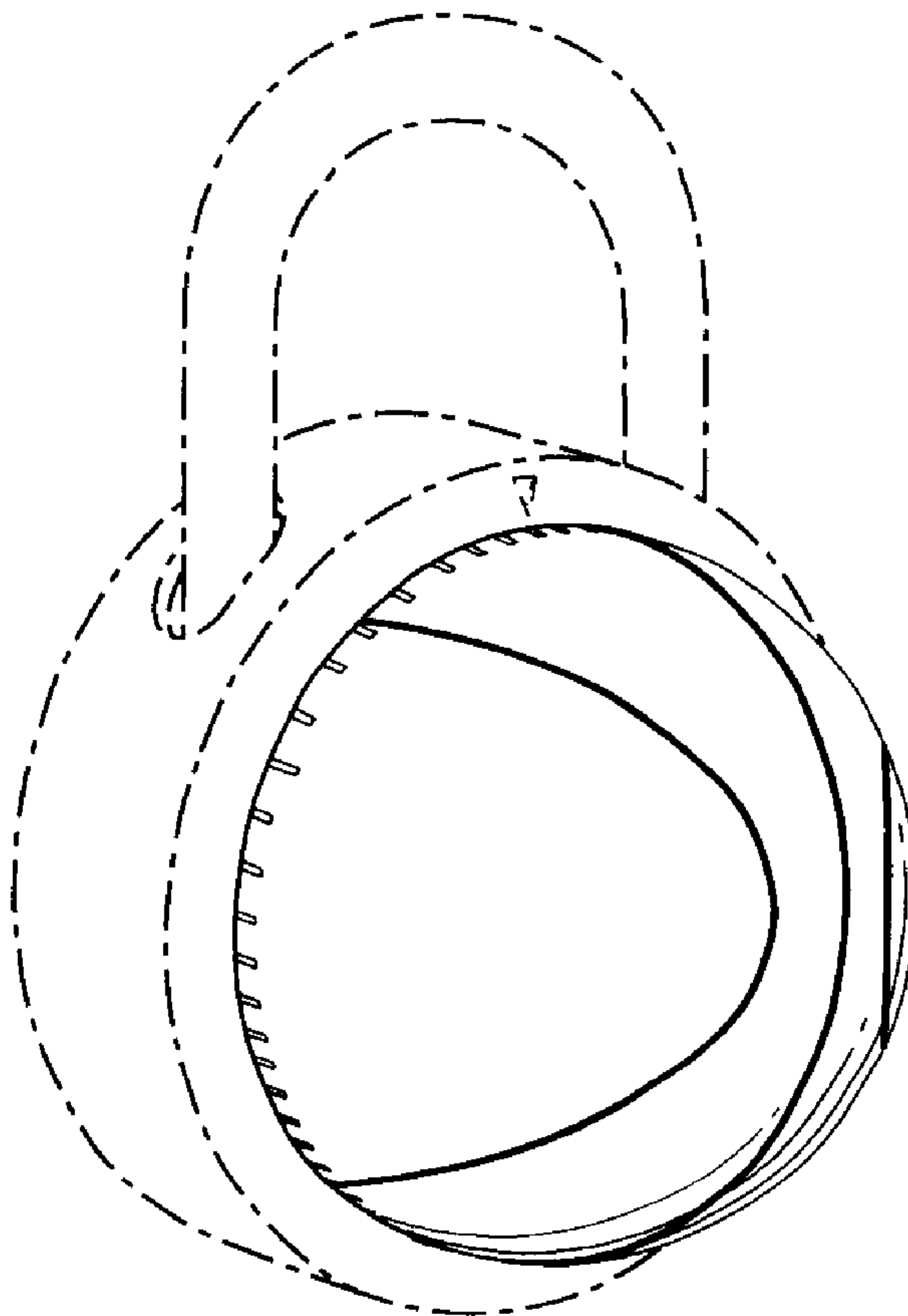
(56) **References Cited**

U.S. PATENT DOCUMENTS

| | | | | | | |
|-----------|---|---|---------|-----------|-------|--------|
| 870,890 | A | * | 11/1907 | Kruse | | 70/52 |
| 920,692 | A | * | 5/1909 | Towne | | 70/52 |
| 3,624,939 | A | * | 12/1971 | Gossard | | D9/307 |
| D418,392 | S | * | 1/2000 | Kelley | | D8/334 |
| D425,706 | S | * | 5/2000 | Calderone | | D9/307 |
| D430,998 | S | * | 9/2000 | Chelaru | | D8/335 |

The broken lines shown in FIGS. 1–6 are for illustrative purposes only and form no part of the claimed design.

1 Claim, 1 Drawing Sheet



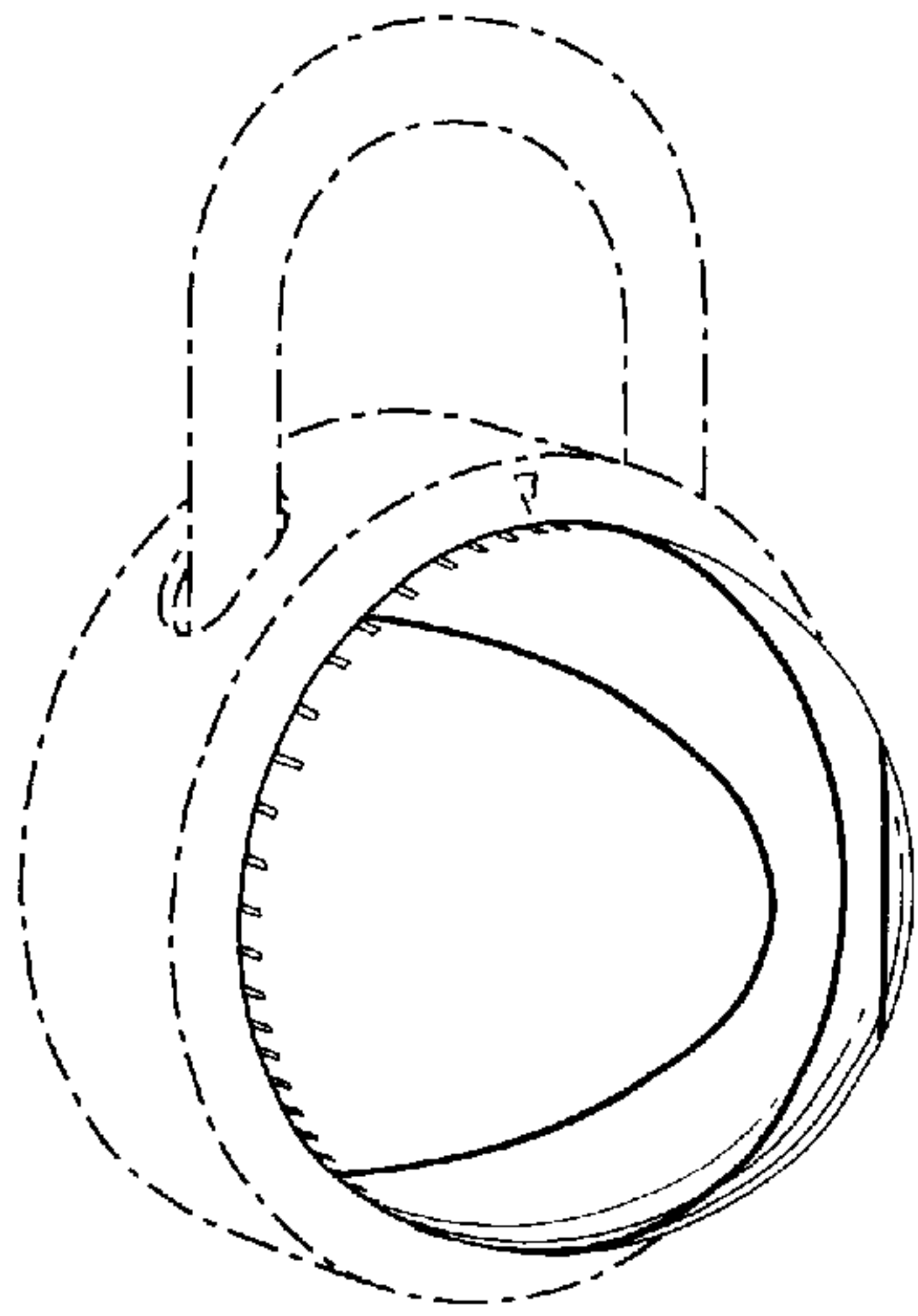


Fig-1

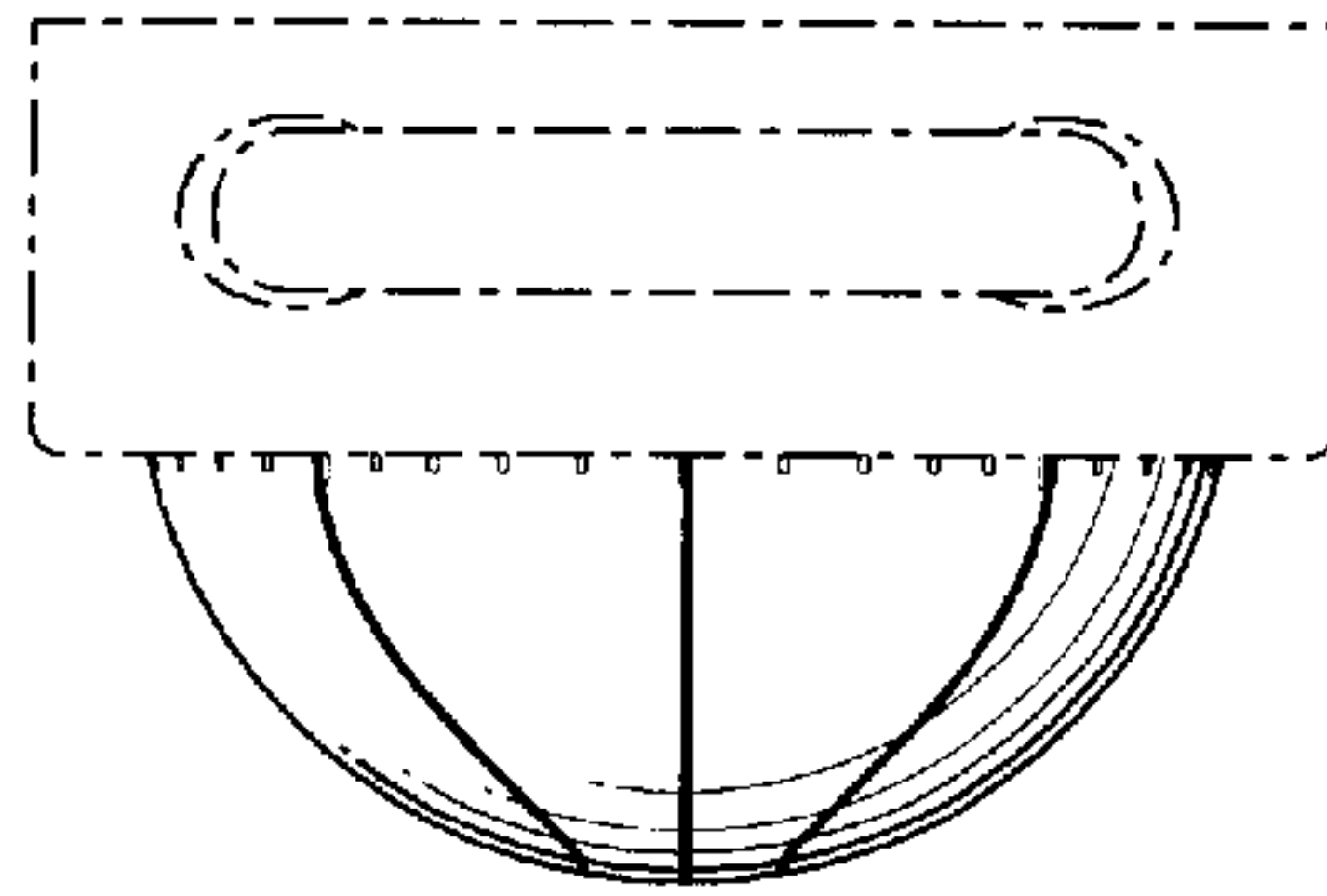


Fig-5

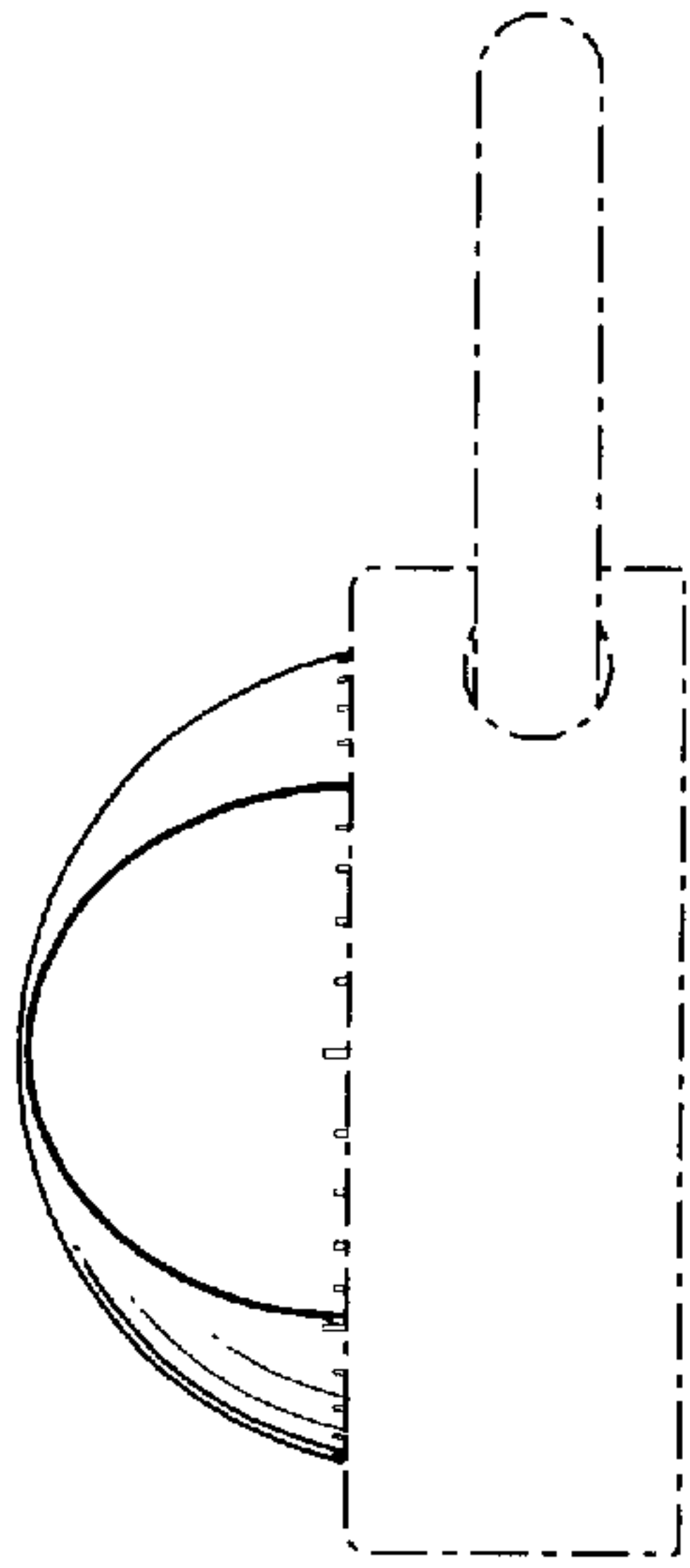


Fig-3

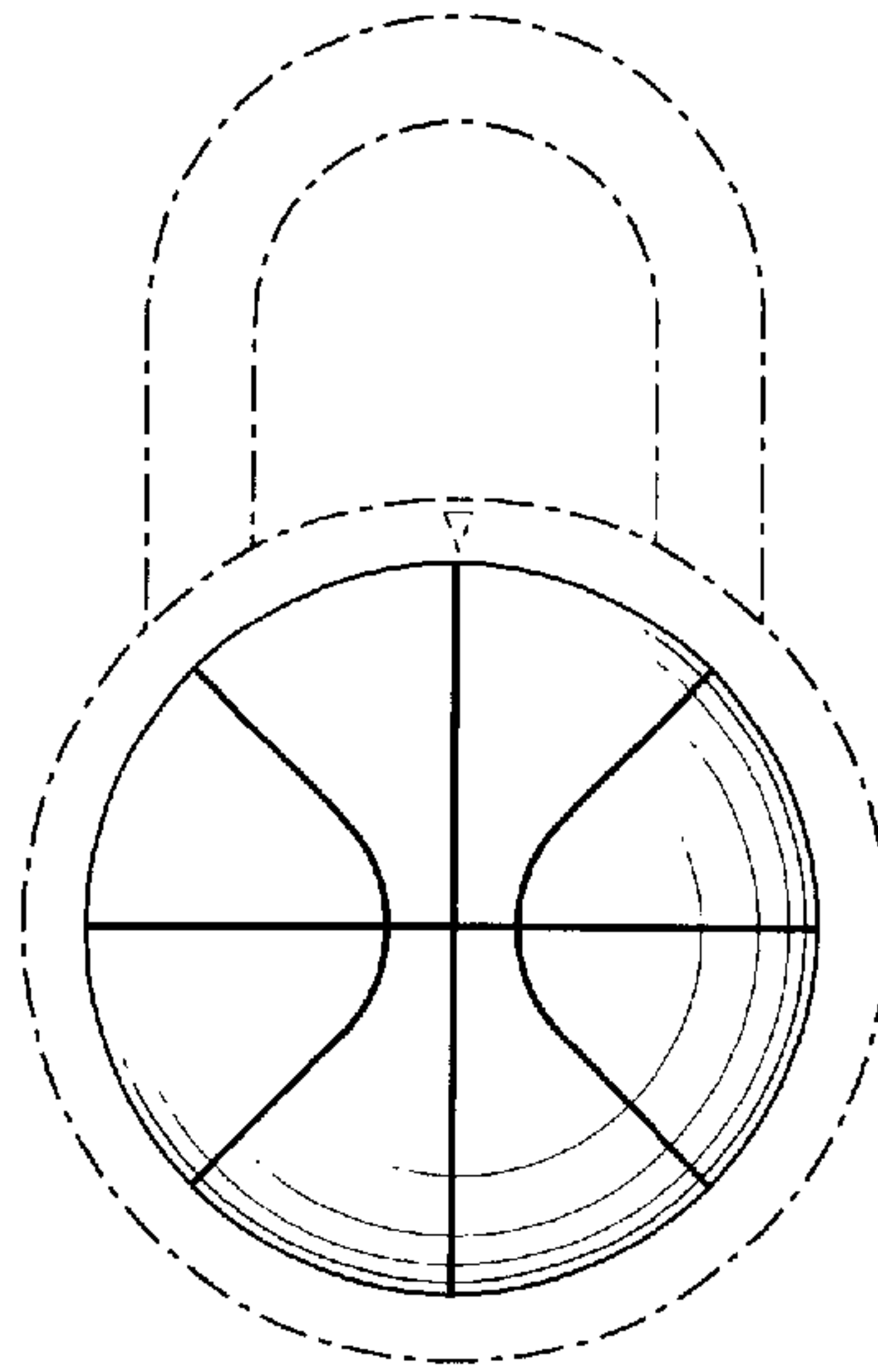


Fig-2

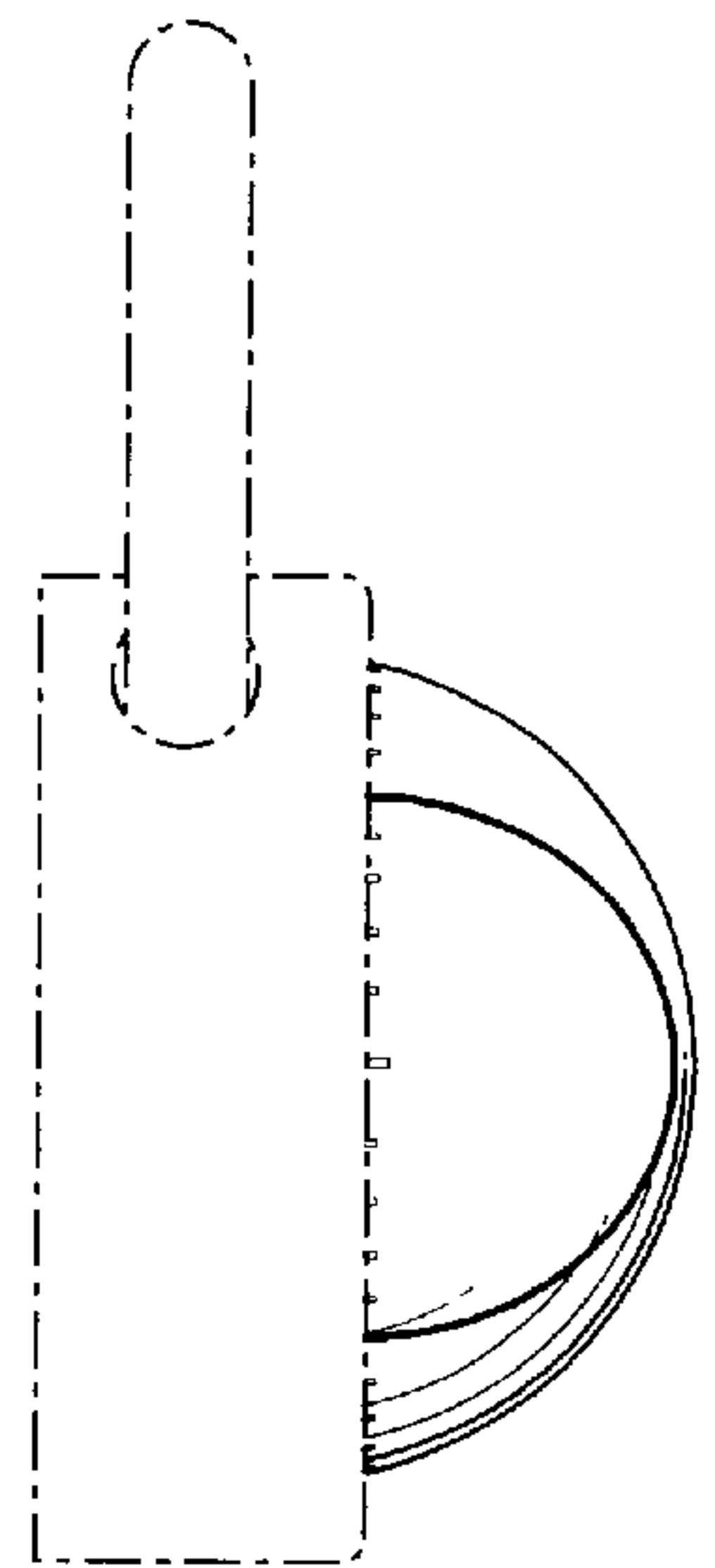


Fig-4

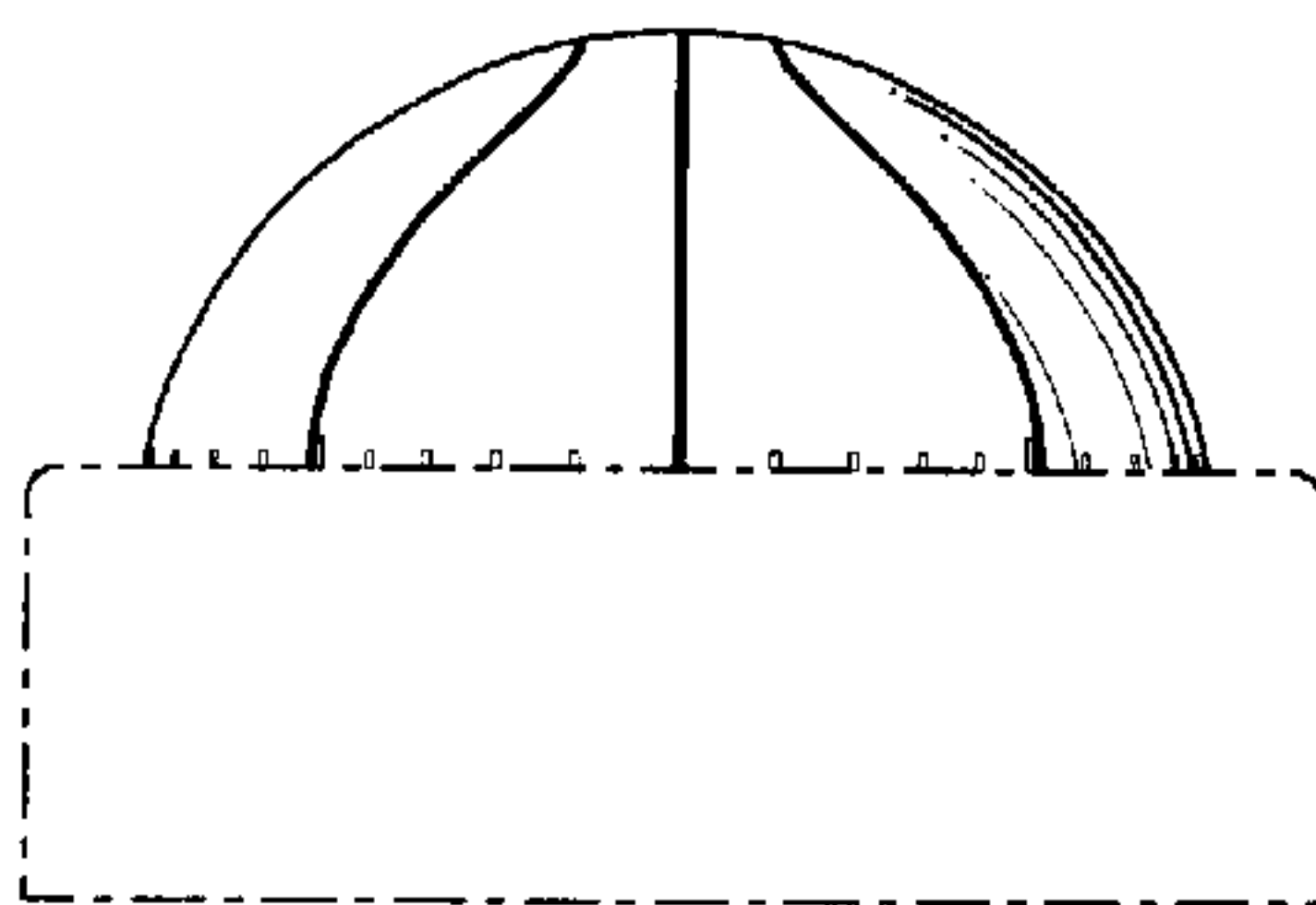


Fig-6