



US00D488050S

(12) **United States Design Patent**
Fonfeder

(10) **Patent No.:** **US D488,050 S**

(45) **Date of Patent:** **** Apr. 6, 2004**

(54) **COMBINATION PADLOCK**

D453,675 S * 2/2002 Liu D8/335

(75) Inventor: **Danny Fonfeder**, Montreal (CA)

* cited by examiner

(73) Assignee: **Buffalo Eastcantra Inc.**, St-Laurent (CA)

Primary Examiner—Prabhakar Deshmukh
(74) *Attorney, Agent, or Firm*—Schweitzer Cornman Gross & Bondell LLP

(**) Term: **14 Years**

(57) **CLAIM**

(21) Appl. No.: **29/176,732**

I claim the ornamental design for the combination padlock, as shown and described.

(22) Filed: **Feb. 26, 2003**

DESCRIPTION

(51) **LOC (7) Cl.** **08-07**

(52) **U.S. Cl.** **D8/335**

(58) **Field of Search** D8/330, 331, 335, D8/343, 346, 334; D9/307; 70/14, 20, 21, 22, 52, 51, 54, 53, 443; 206/457, 458, 315.9; 220/4.21, 4.25, 4.24; D7/901

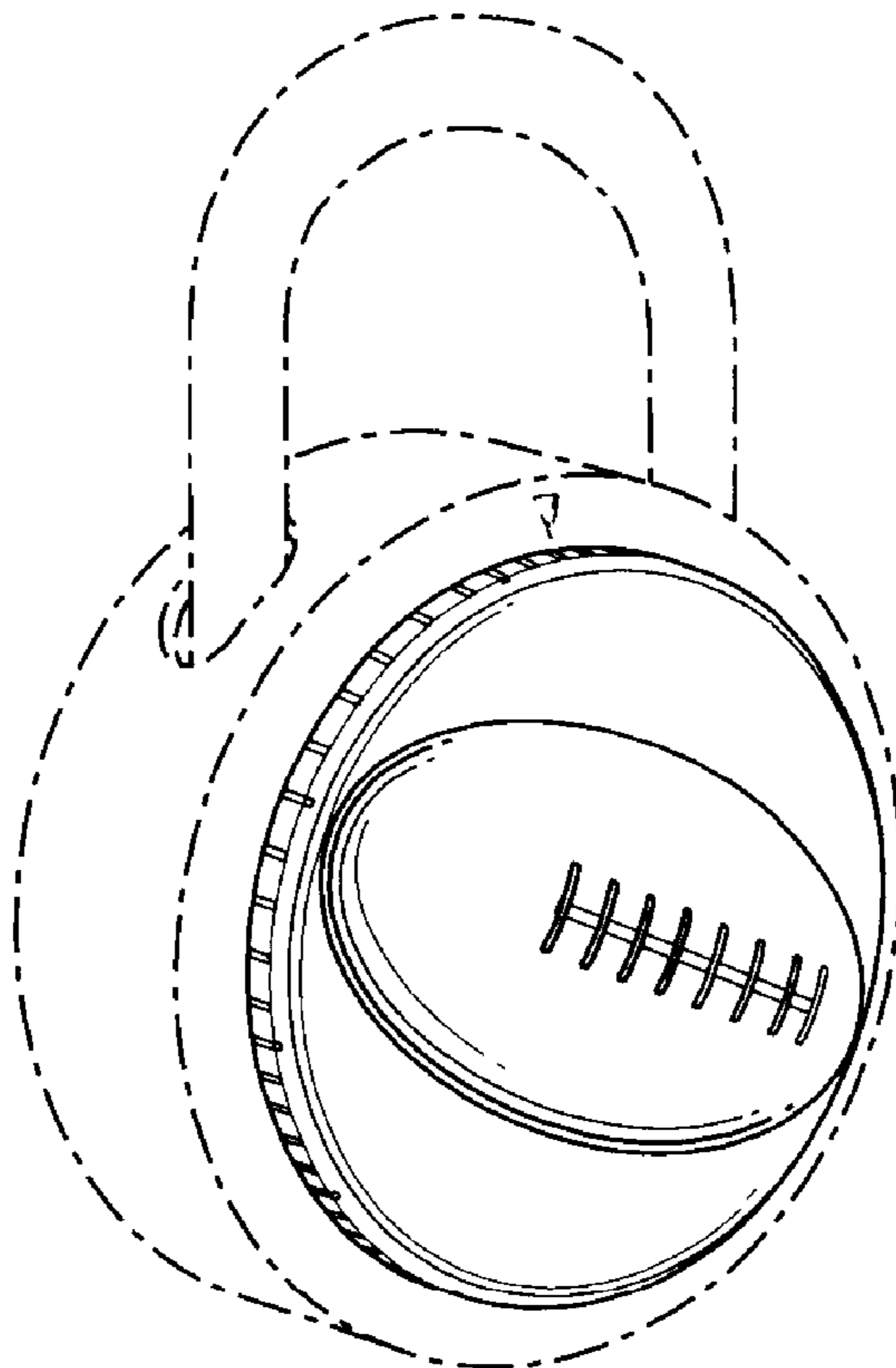
FIG. 1 is a perspective view of a combination padlock according to the present design;
FIG. 2 is a front elevational view of the combination padlock of FIG. 1;
FIG. 3 is a right side elevational view of the combination padlock of FIG. 1;
FIG. 4 is a left side elevational view of the combination padlock of FIG. 1;
FIG. 5 a top plan view of the combination padlock of FIG. 1; and,
FIG. 6 is a bottom plan view of the combination padlock of FIG. 1.
The broken lines shown in FIGS. 1–6 are for illustrative purposes only and form no part of the claimed design.

(56) **References Cited**

U.S. PATENT DOCUMENTS

870,890	A	*	11/1907	Kruse	70/53
920,692	A	*	5/1909	Towne	70/52
3,624,939	A	*	12/1971	Gossard	D9/307
D308,320	S	*	6/1990	Raucci	206/457
D418,392	S	*	1/2000	Kelley	D8/334
6,041,918	A	*	3/2000	Moore	220/4.21
D425,706	S	*	5/2000	Calderone	D9/307
D445,666	S	*	7/2001	Gable	D8/335

1 Claim, 1 Drawing Sheet



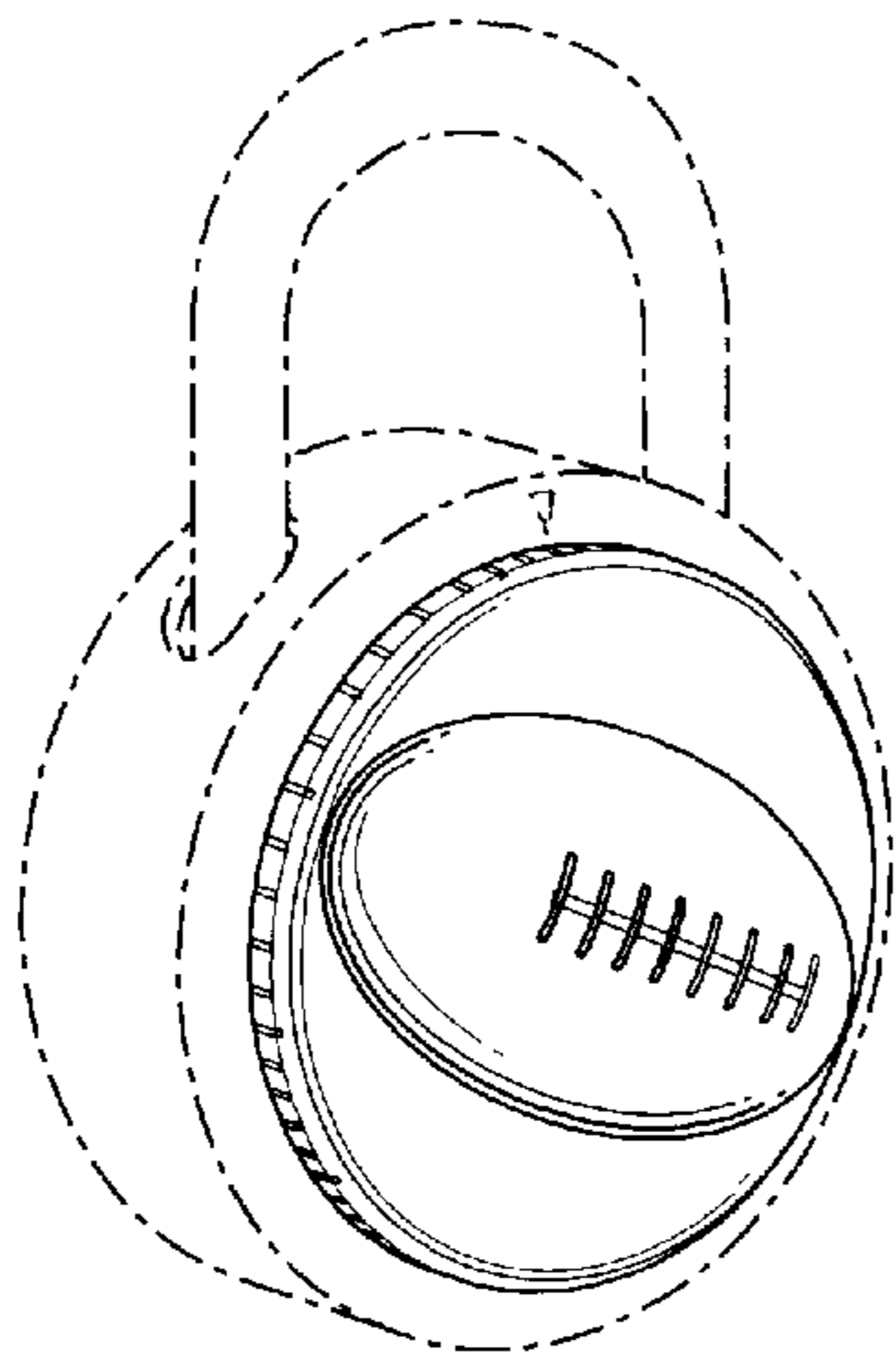


Fig-1

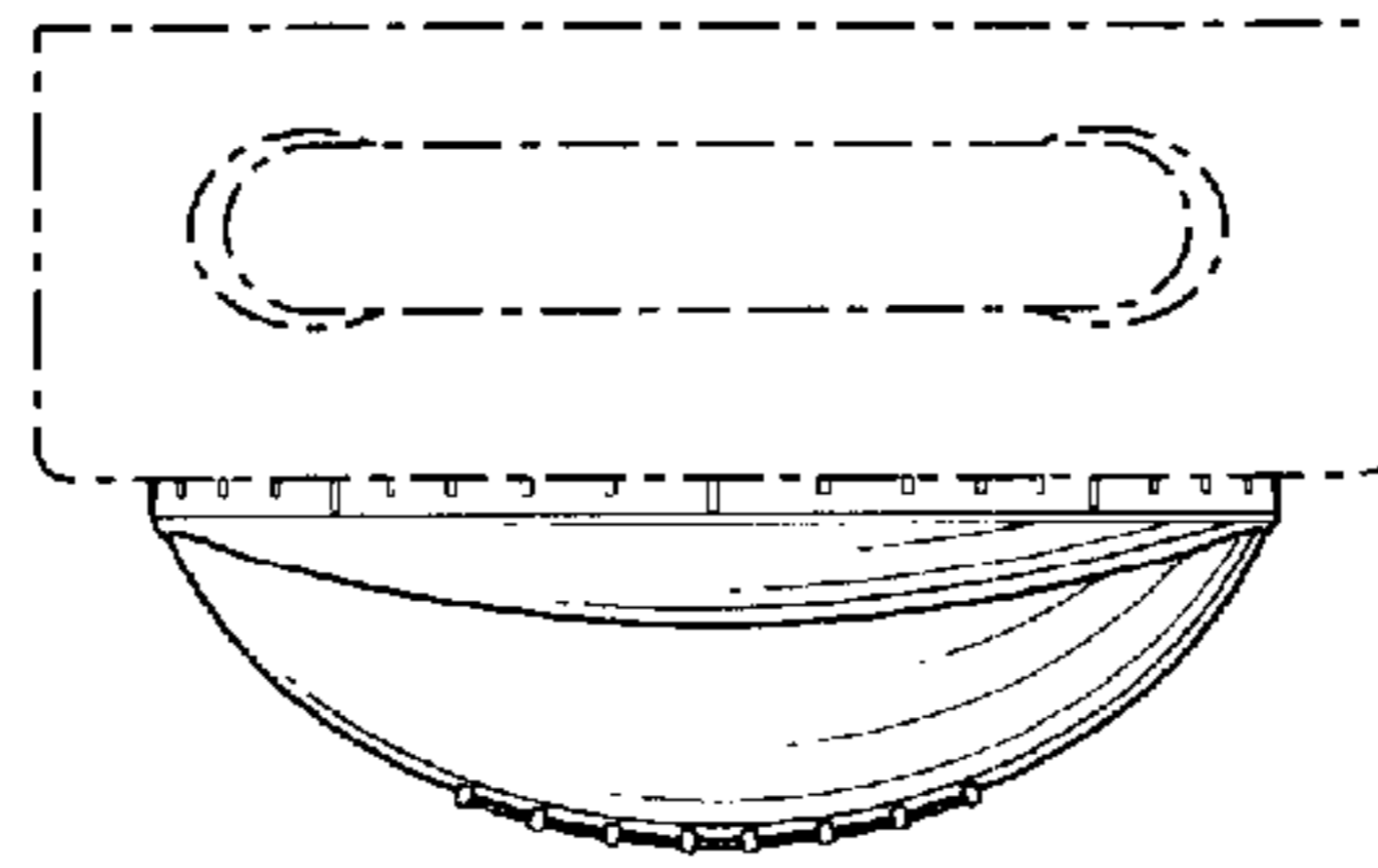


Fig-5

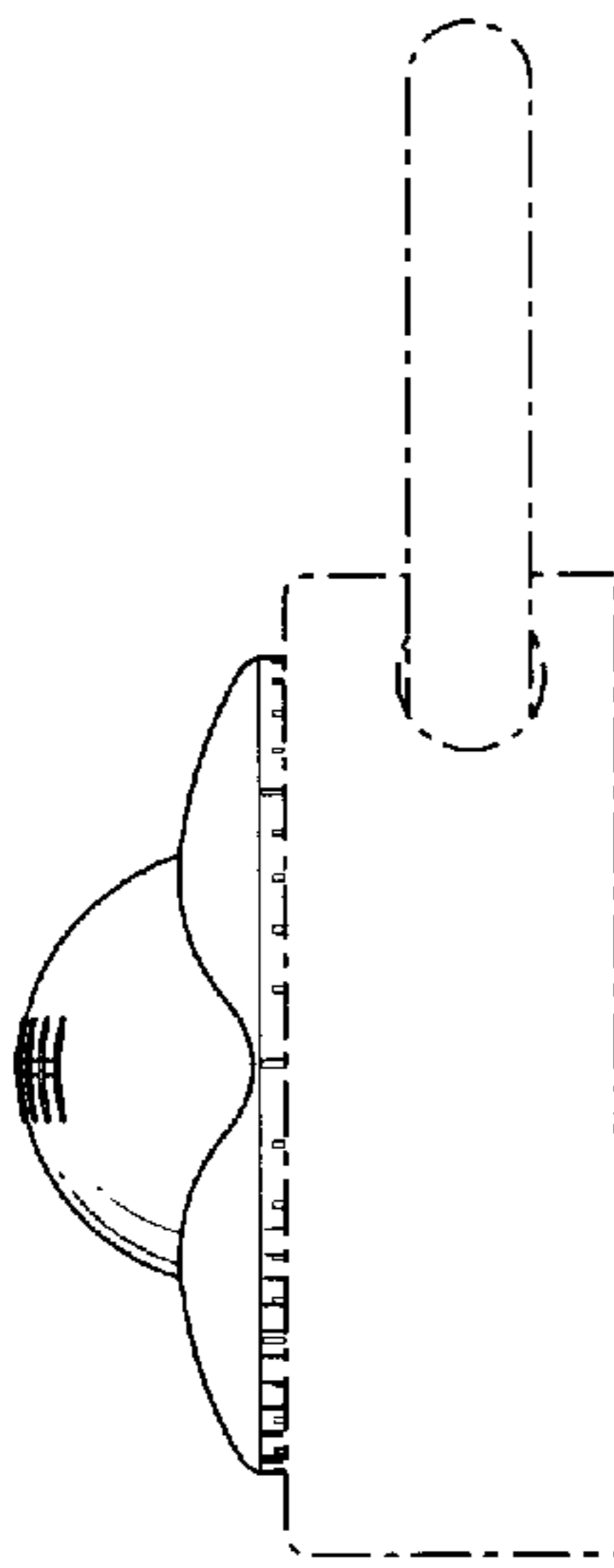


Fig-3

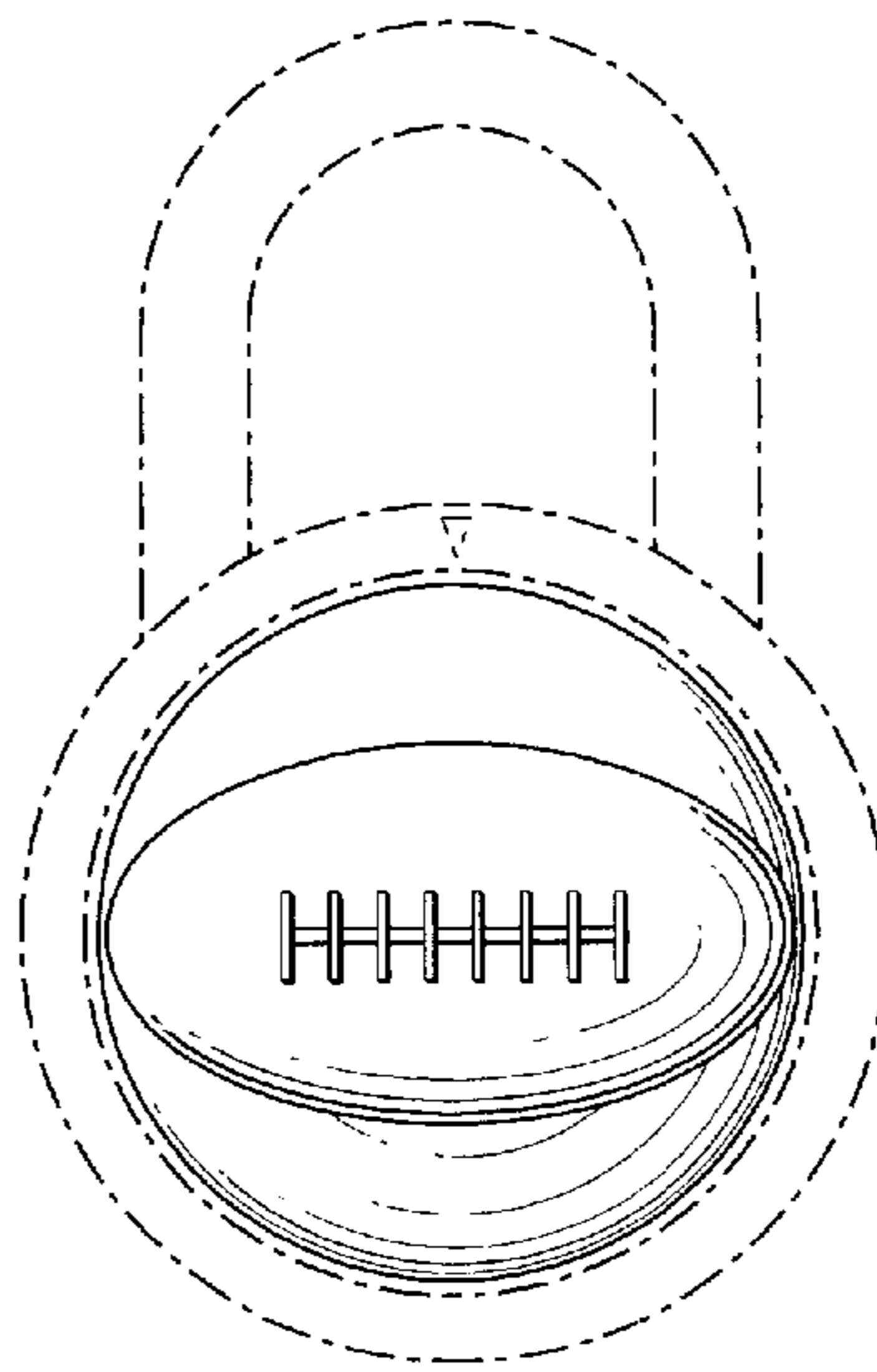


Fig-2

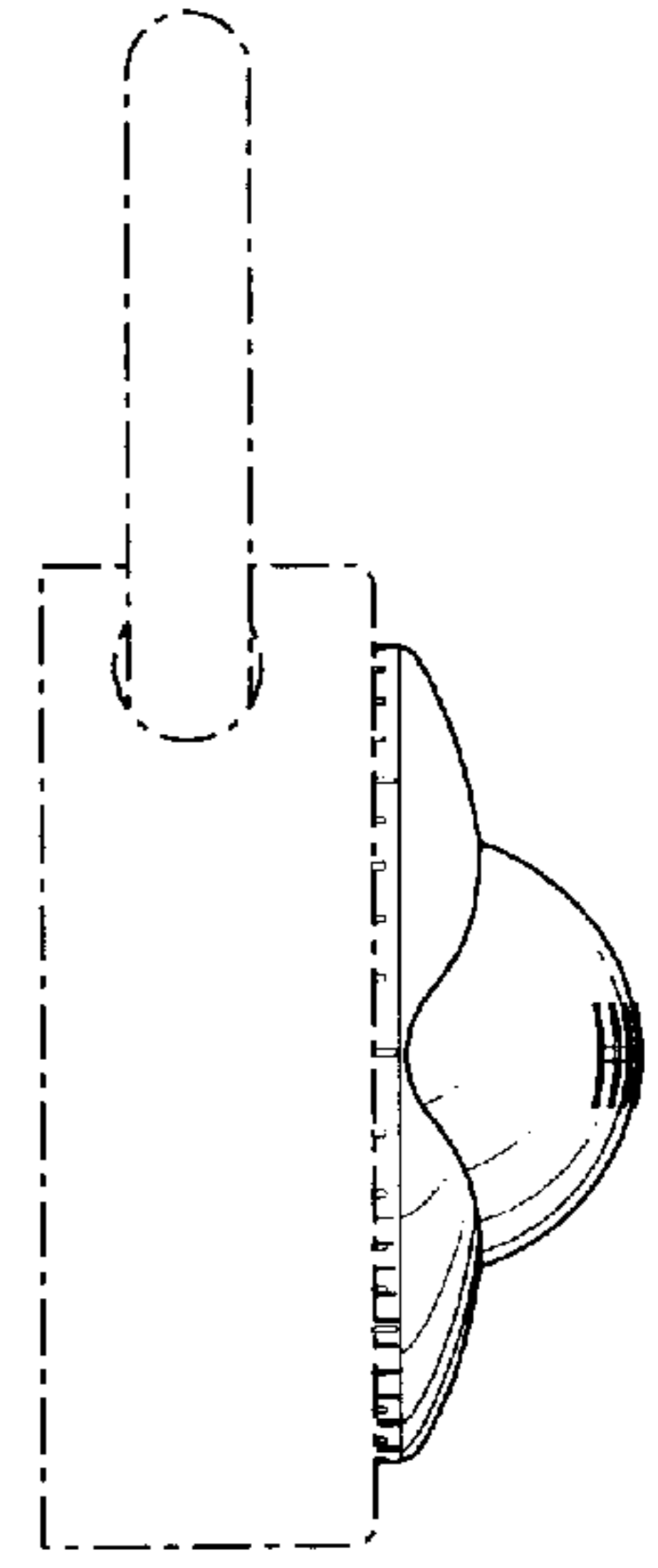


Fig-4

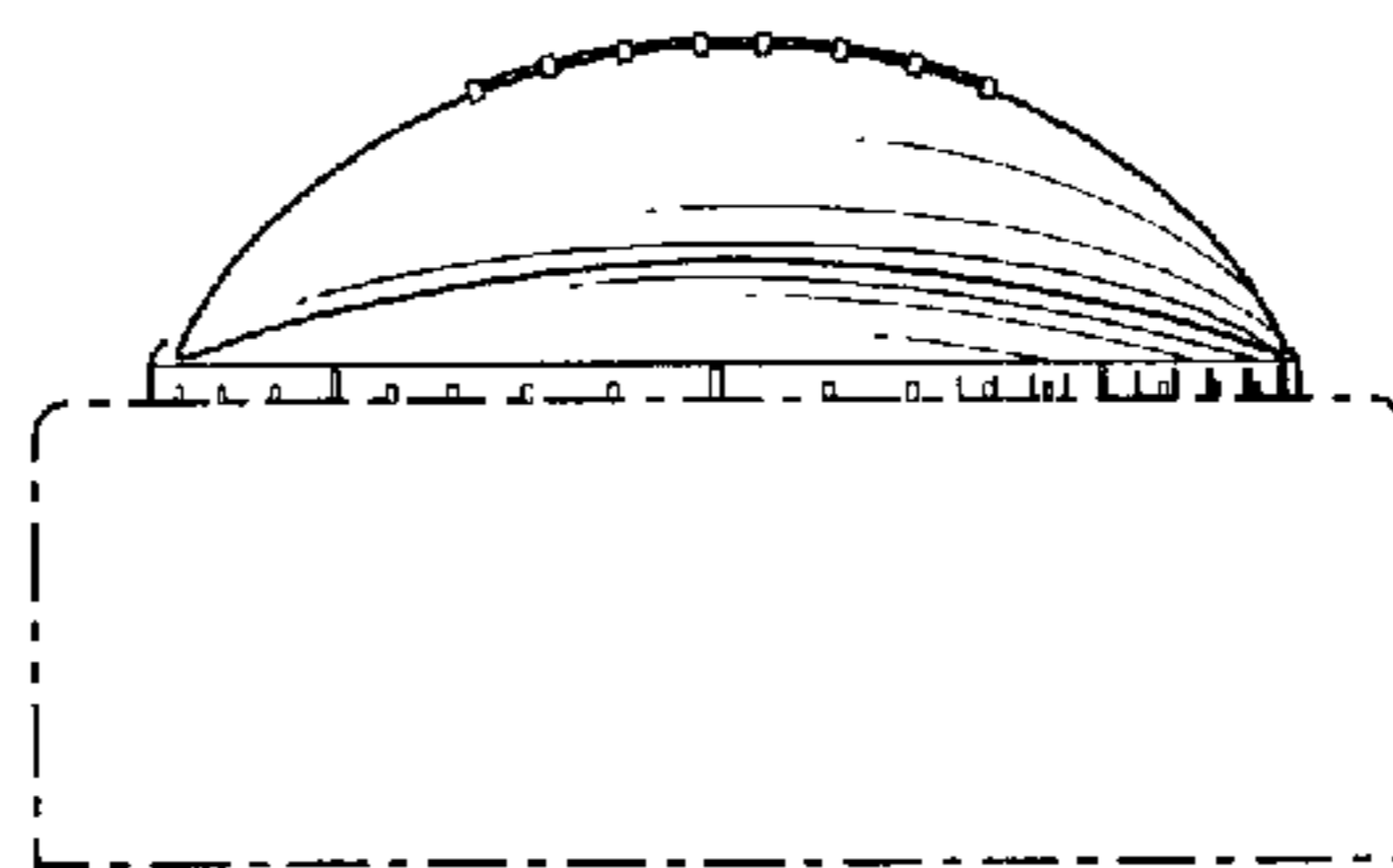


Fig-6