



US00D488047S

(12) **United States Design Patent**
Cheng

(10) **Patent No.:** **US D488,047 S**

(45) **Date of Patent:** **** Apr. 6, 2004**

(54) **FRAMELESS GLASS DOOR HINGE SET**

(76) Inventor: **Ko-Ming Cheng**, No. 9-60, Hsi-Liao Rd., Hsi-Liao Village, Ta-Liao Hsiang, Kaohsiung Hsien (TW)

(**) Term: **14 Years**

(21) Appl. No.: **29/178,655**

(22) Filed: **Mar. 28, 2003**

(51) **LOC (7) Cl.** **08-06**

(52) **U.S. Cl.** **D8/327**

(58) **Field of Search** D8/323-329; 16/50, 16/DIG. 13, 221, 286, 252, 387, 385, 390-392

(56) **References Cited**

U.S. PATENT DOCUMENTS

| | | | | |
|----------------|--------|-----------------|-------|--------|
| D99,756 S * | 5/1936 | Atwood | | D8/327 |
| 5,704,095 A * | 1/1998 | Guenschel | | 16/370 |
| D413,505 S * | 9/1999 | Perkins et al. | | D8/323 |
| D421,560 S * | 3/2000 | Bourgain et al. | | D8/327 |
| 6,560,821 B2 * | 5/2003 | Miller et al. | | 16/252 |

* cited by examiner

Primary Examiner—Louis S. Zarfaz

Assistant Examiner—Deanne Levy

(74) *Attorney, Agent, or Firm*—William E. Pelton, Esq.

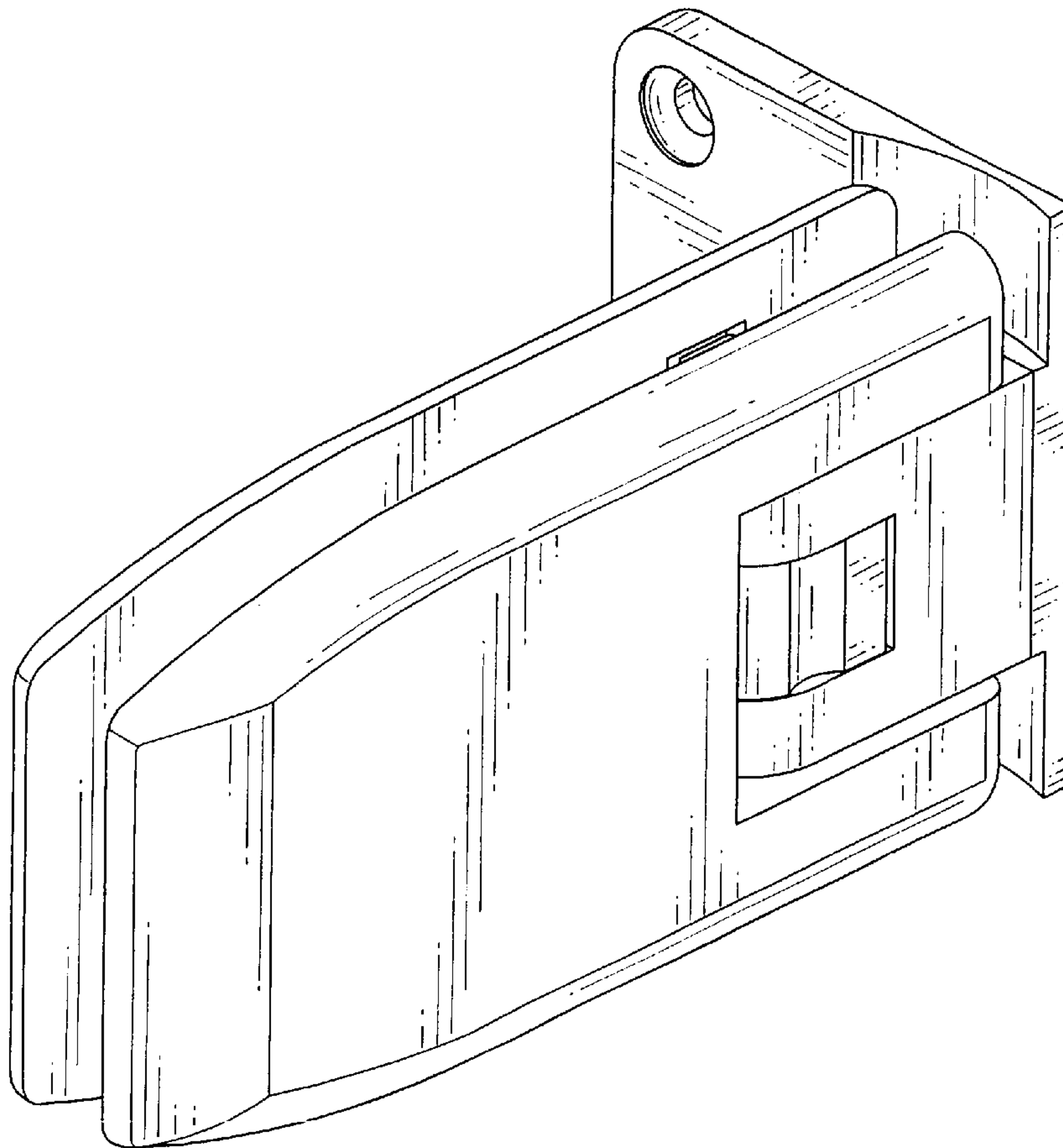
(57) **CLAIM**

The ornamental design for a frameless glass door hinge set, as shown and described.

DESCRIPTION

FIG. 1 is a perspective view of a frameless glass door hinge set, showing my new design;
 FIG. 2 is a front elevational view thereof;
 FIG. 3 is a rear elevational view thereof;
 FIG. 4 is a left side elevational view thereof;
 FIG. 5 is a right side elevational view thereof;
 FIG. 6 is a top plan view thereof;
 FIG. 7 is a bottom plan view thereof; and,
 FIG. 8 is a referential perspective view thereof connected to a frameless glass door, wherein the broken lines are shown for illustrative purposes only and form no part of the claimed design.

1 Claim, 5 Drawing Sheets



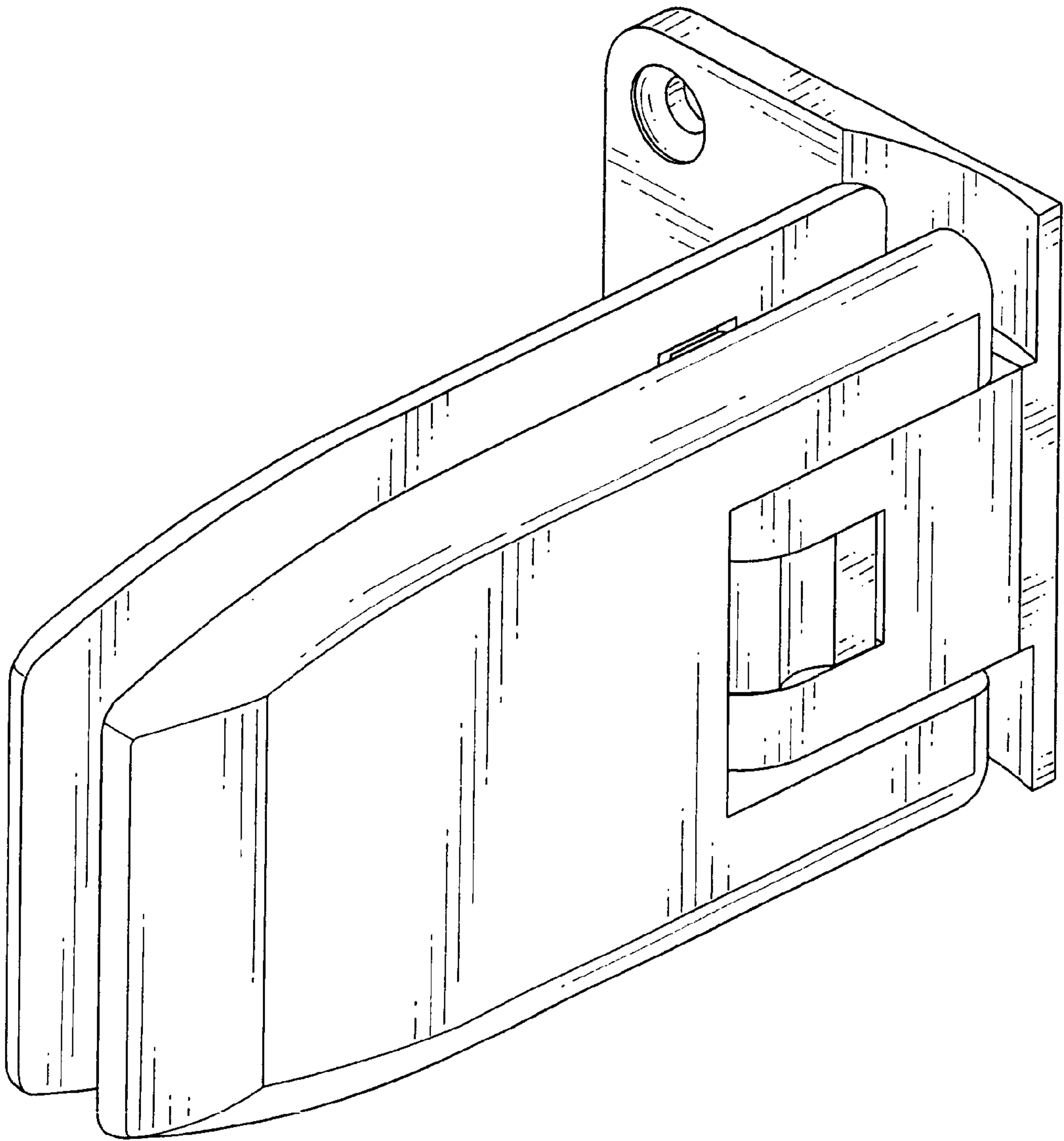


FIG. 1

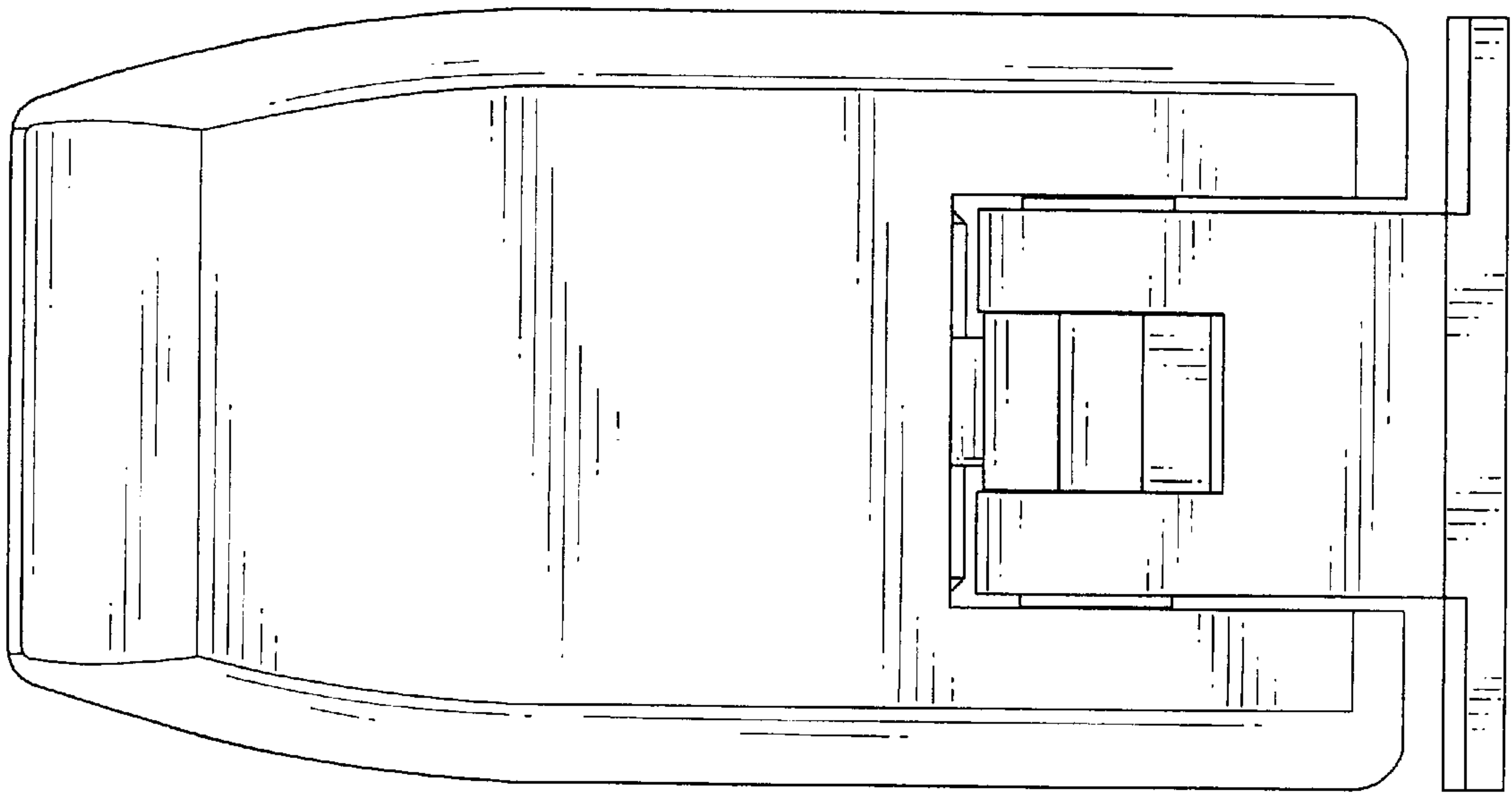


FIG. 2

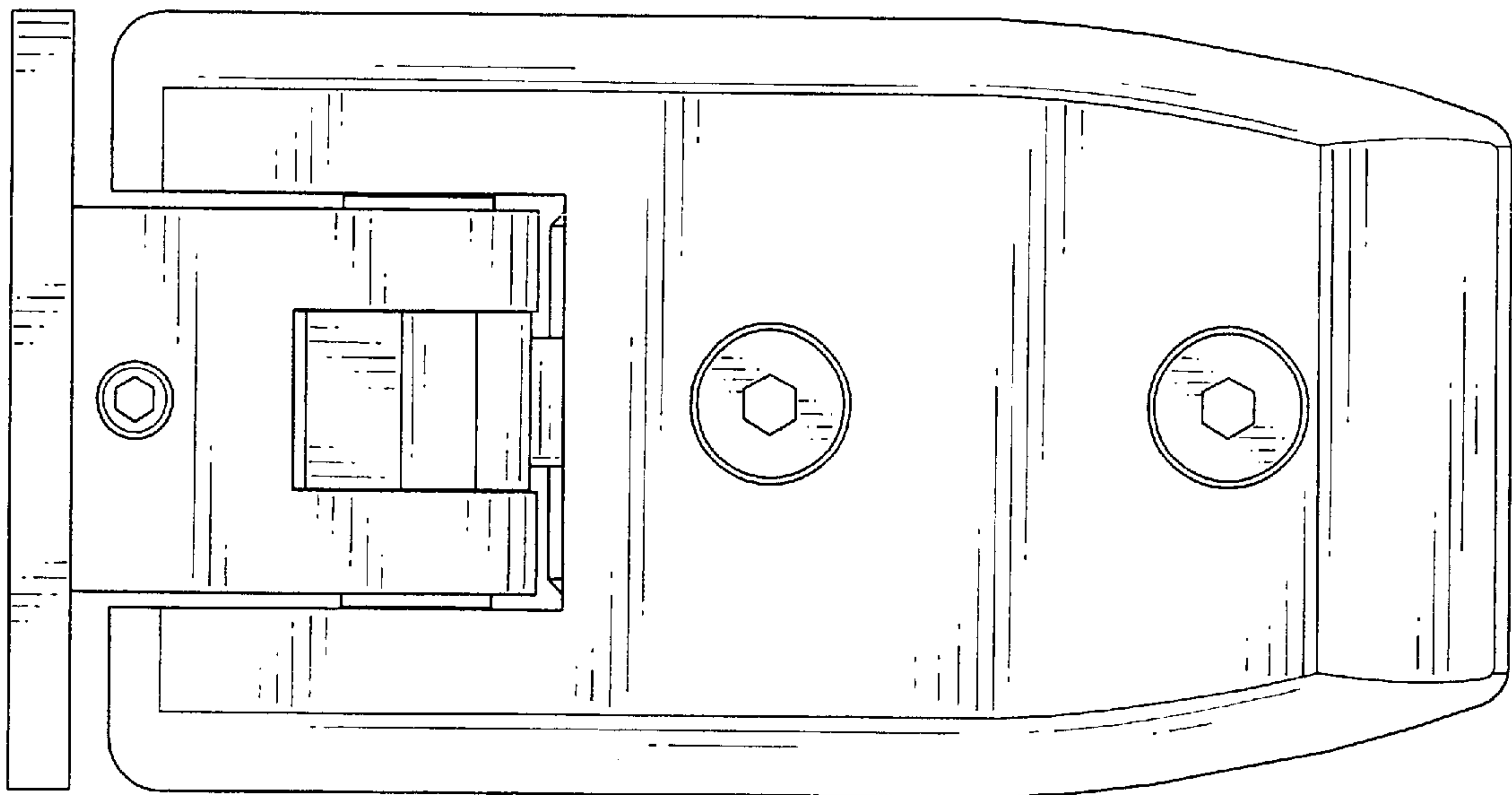


FIG. 3

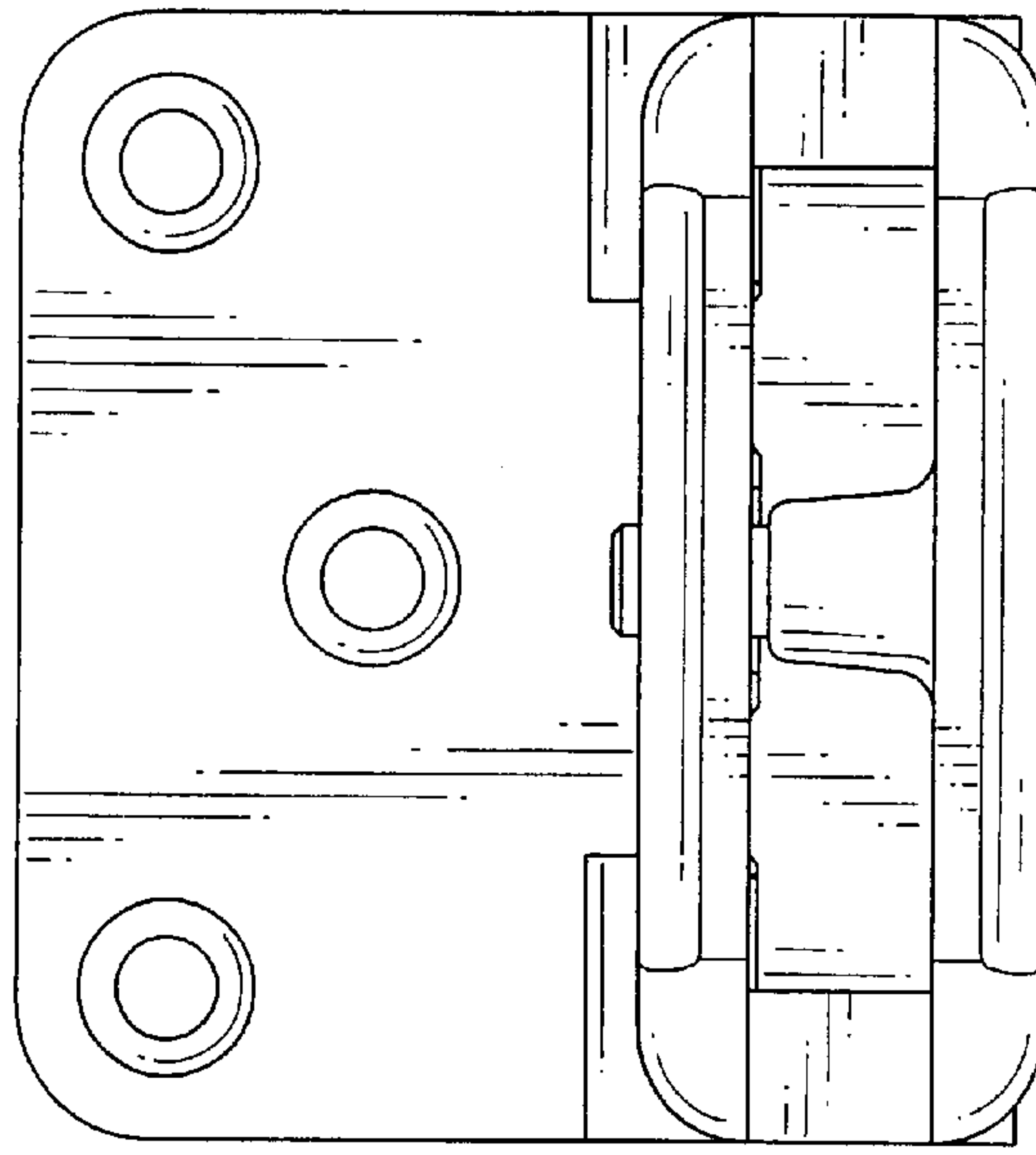


FIG. 4

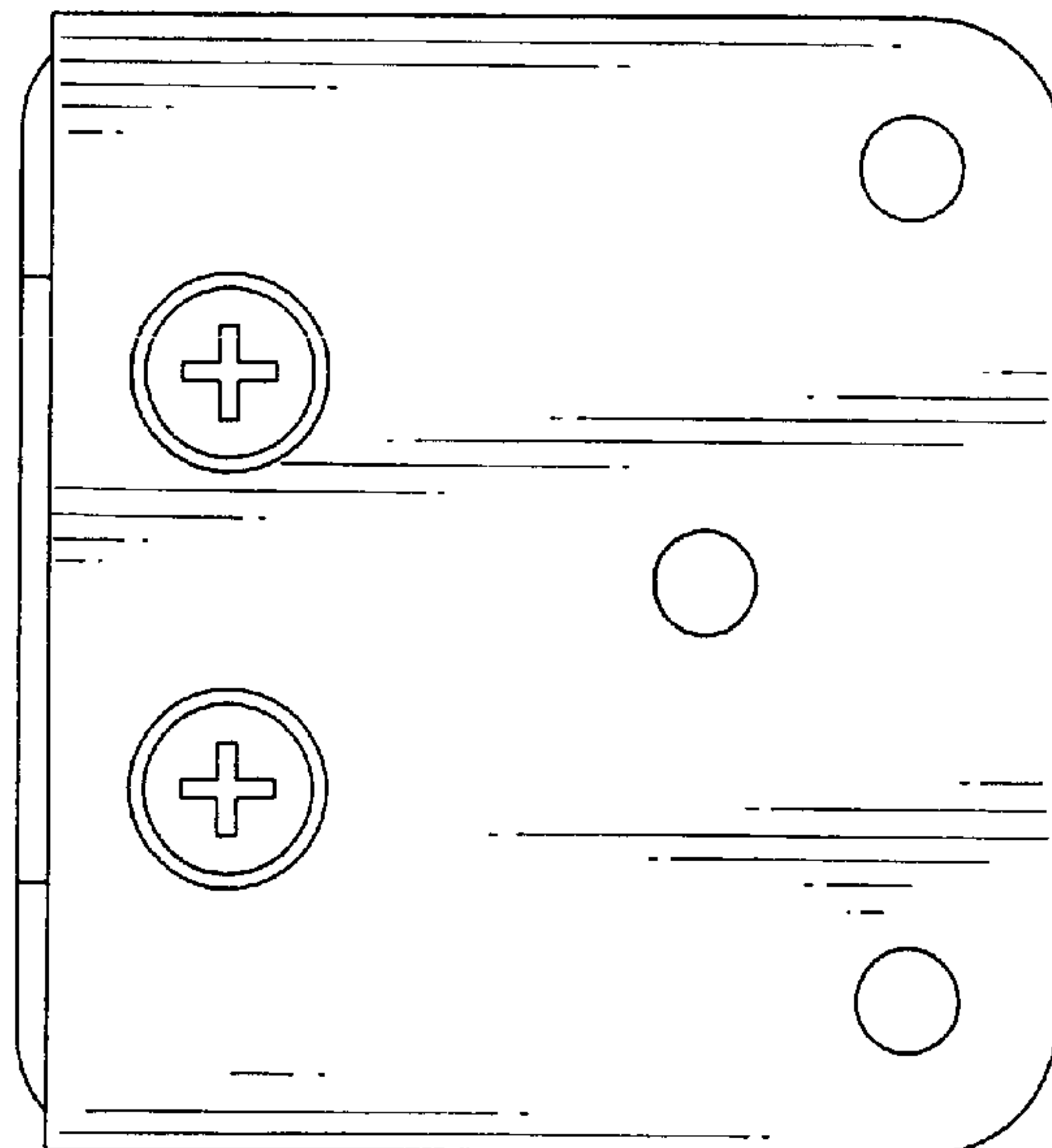


FIG. 5

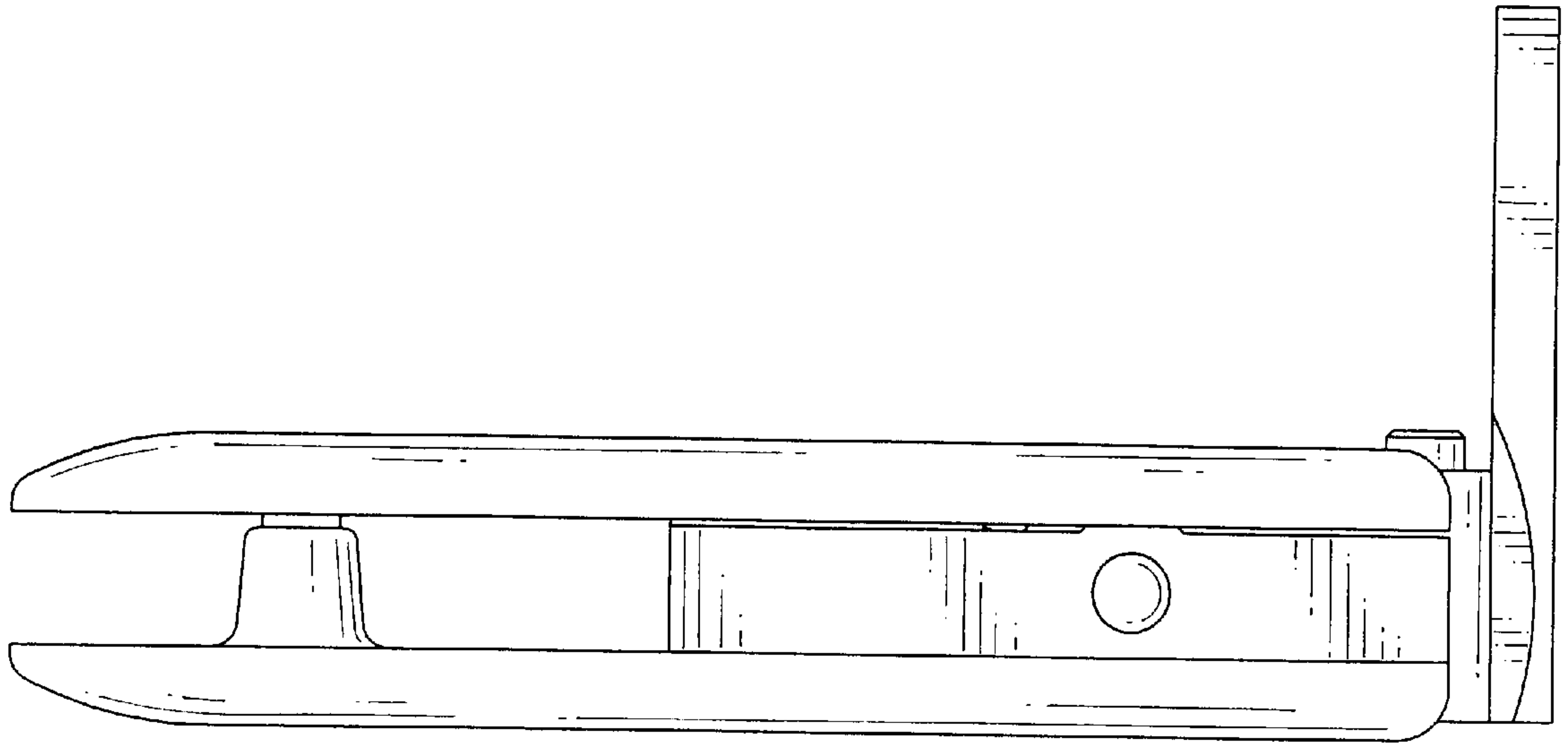


FIG. 6

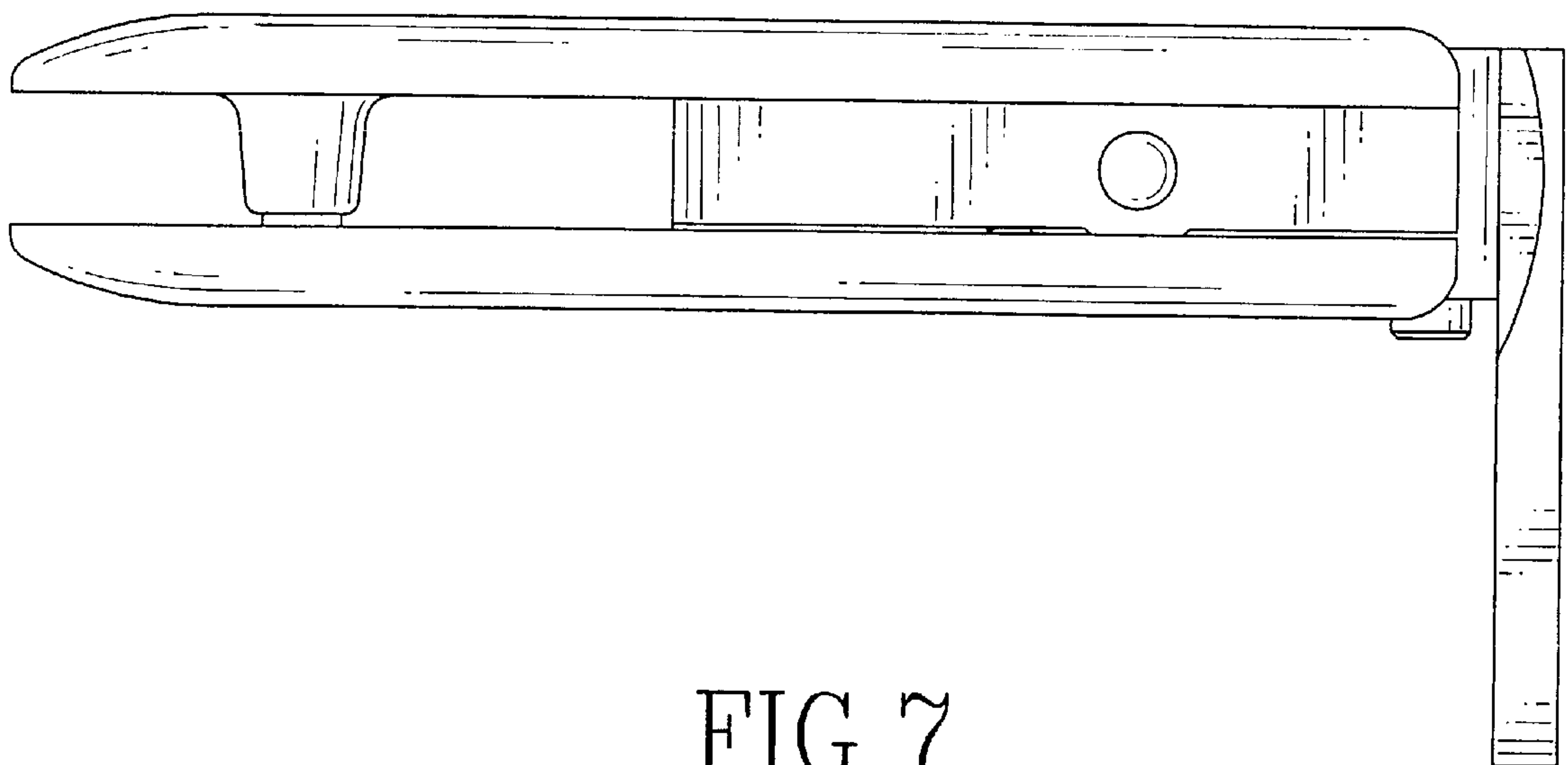


FIG. 7

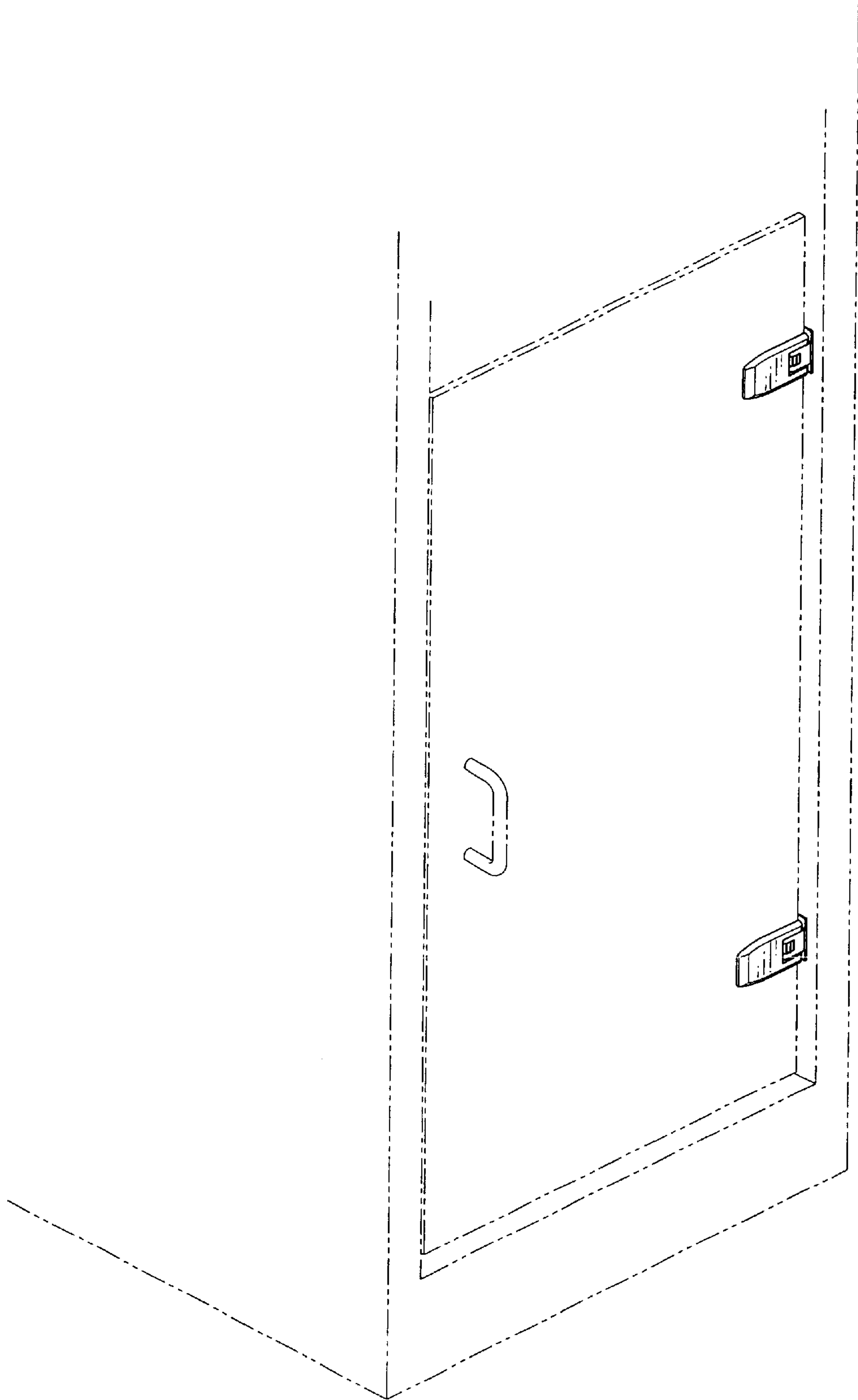


FIG. 8