



US00D488046S

(12) **United States Design Patent**
Marquardt et al.

(10) **Patent No.:** **US D488,046 S**

(45) **Date of Patent:** **** Apr. 6, 2004**

(54) **TWO-HAND TOOL GRIP**

(76) Inventors: **Elizabeth J. Marquardt**, N3686
Bluffview Trail, Poynette, WI (US)
53955; **Paul R. Johnson**, 1841 Ludden
Dr., #13, Cross Plains, WI (US) 53528;
Anthony W. Konkler, W11080 Deer
Run Dr., Lodi, WI (US) 53555; **Nathan
B. Fethke**, 50 Florence Way, North
Liberty, IA (US) 52317

(**) Term: **14 Years**

(21) Appl. No.: **29/160,671**

(22) Filed: **May 15, 2002**

(51) **LOC (7) Cl.** **08-01**

(52) **U.S. Cl.** **D8/107**

(58) **Field of Search** D8/10, 11, 300,
D8/310, 107; D9/434; 16/110.1, 112.1,
114.1, 406, 422, 426, 440, 444, DIG. 5,
DIG. 41; 81/177.1, 489; 294/58

(56) **References Cited**

U.S. PATENT DOCUMENTS

285,302 A * 9/1883 Parrish 16/444
D66,210 S * 12/1924 Schnell D8/307
2,572,230 A * 10/1951 Williams D8/10
2,713,926 A * 7/1955 Finkelstein 16/114.1
D198,979 S * 8/1964 Petoe D8/10
3,226,149 A * 12/1965 McJohnson D8/10

4,825,733 A * 5/1989 Chinchar 81/177.2
5,351,365 A * 10/1994 Hauck 16/422
D370,612 S * 6/1996 Meakin et al. D8/107
5,606,772 A * 3/1997 Ilic 16/421
D422,450 S * 4/2000 Conti 16/110.1
6,397,436 B1 * 6/2002 Wang 16/445

* cited by examiner

Primary Examiner—Clare E. Heflin
(74) *Attorney, Agent, or Firm*—Foley & Lardner

(57) **CLAIM**

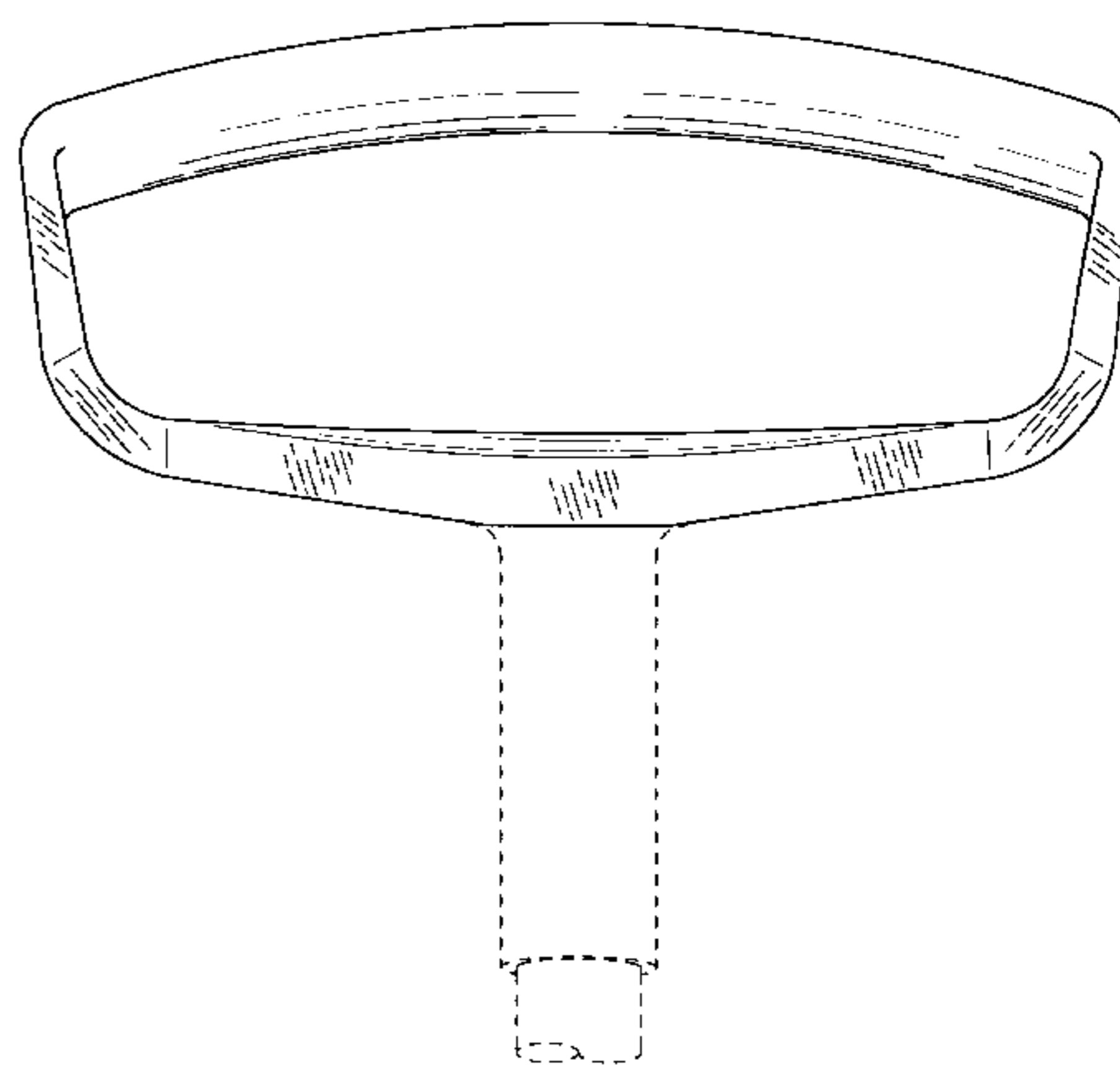
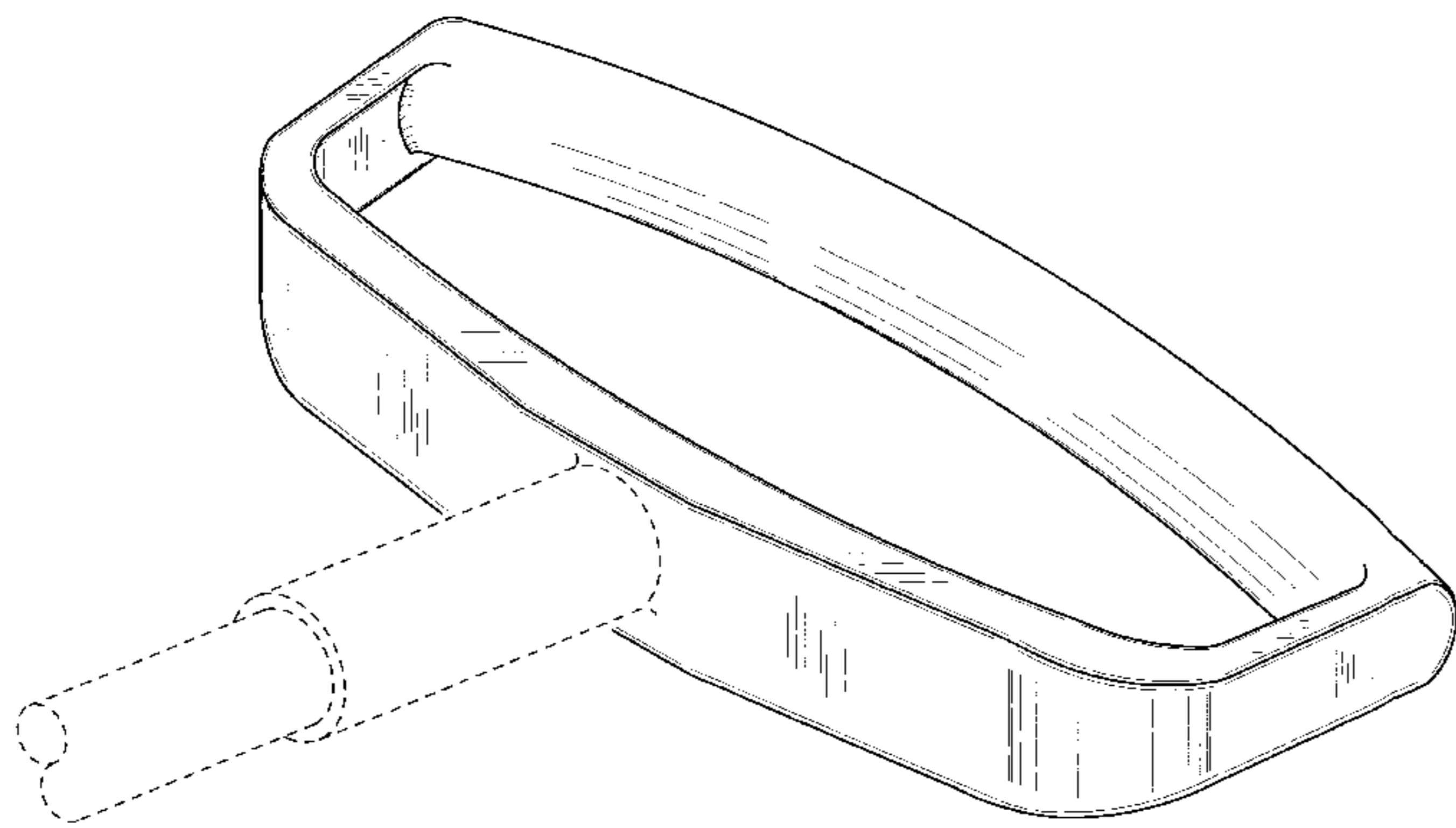
We claim the ornamental design for the two-hand tool grip,
as shown and described.

DESCRIPTION

FIG. 1 is a perspective view of the two-hand tool grip;
FIG. 2 is a front view of the two-hand tool grip shown in
FIG. 1, the rear view is substantially identical;
FIG. 3 is a right side view of the two-hand tool grip shown
in FIG. 1;
FIG. 4 is a left side view of the two-hand tool grip shown in
FIG. 1;
FIG. 5 is a top view of the two-hand tool grip shown in FIG.
1; and,
FIG. 6 is a bottom view of the two-hand tool grip shown in
FIG. 1.

The broken lines in FIGS. 1–6 are for illustrative purposes
only and form no part of the claimed design.

1 Claim, 4 Drawing Sheets



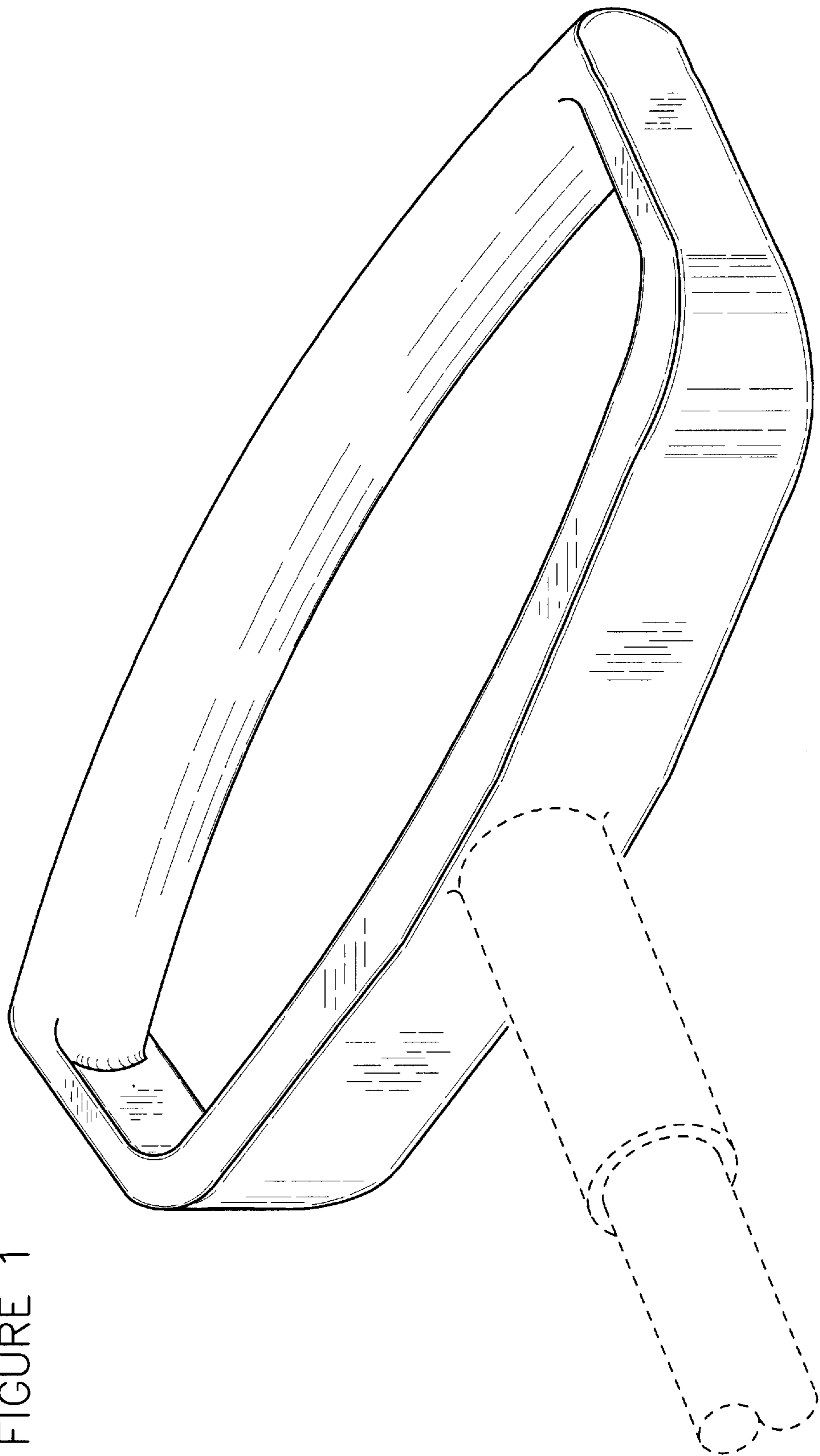


FIGURE 1

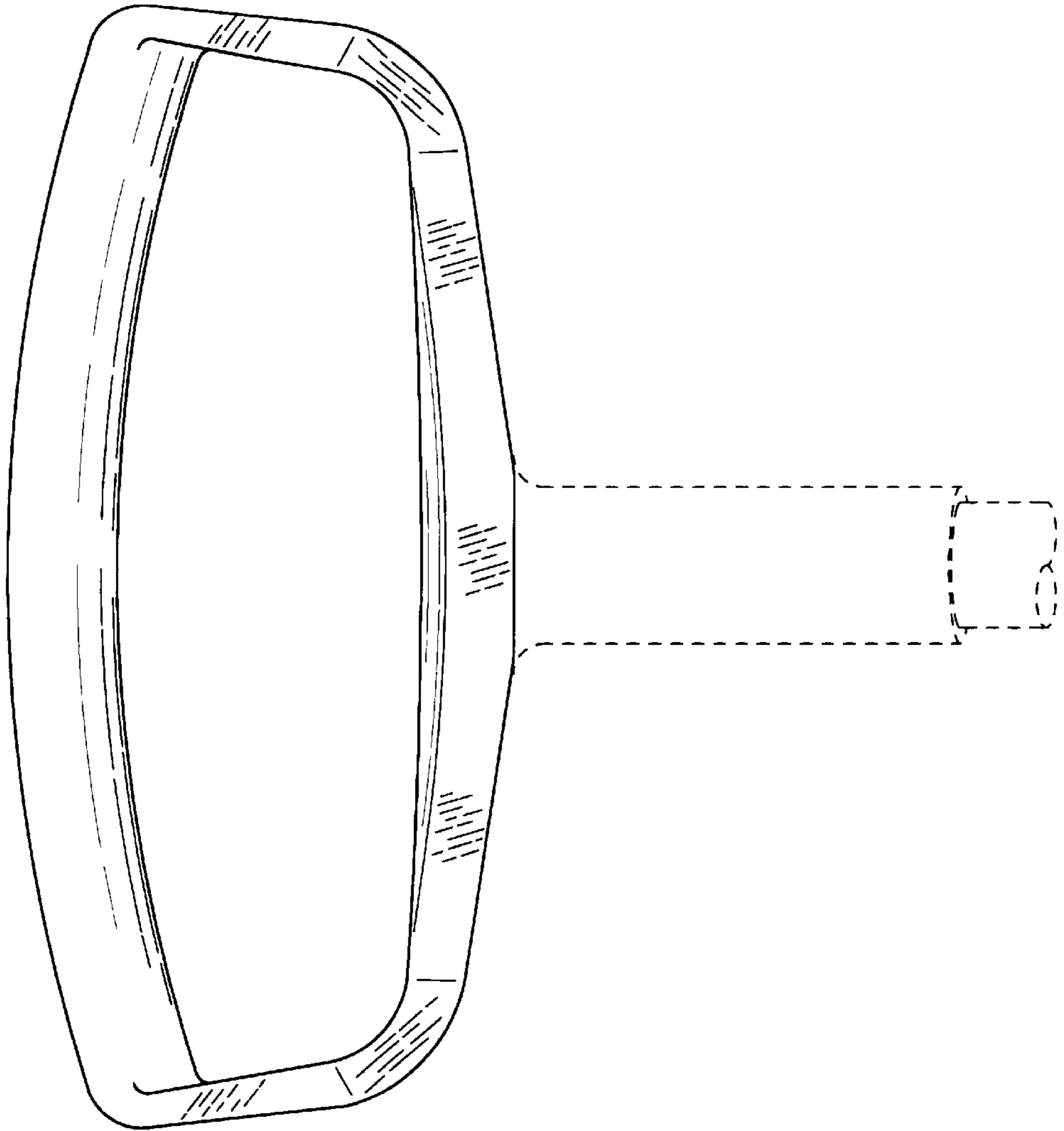


FIGURE 2

FIGURE 3

FIGURE 4

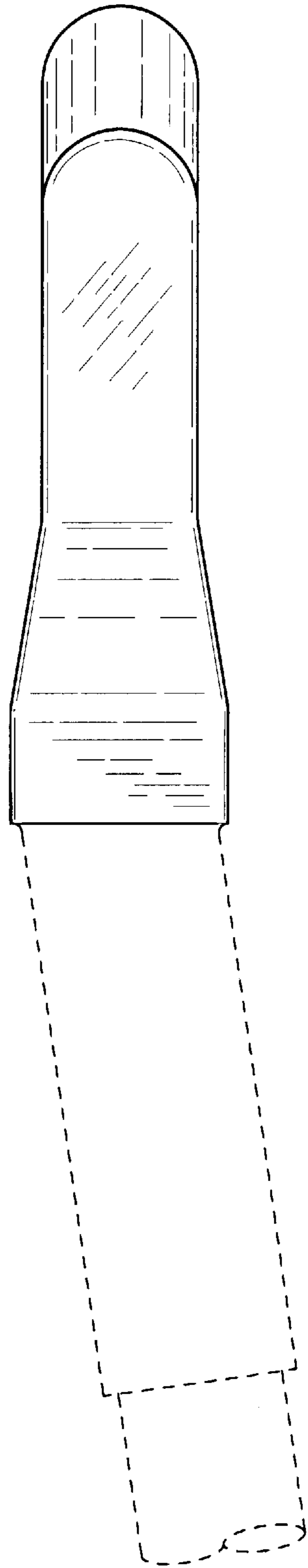
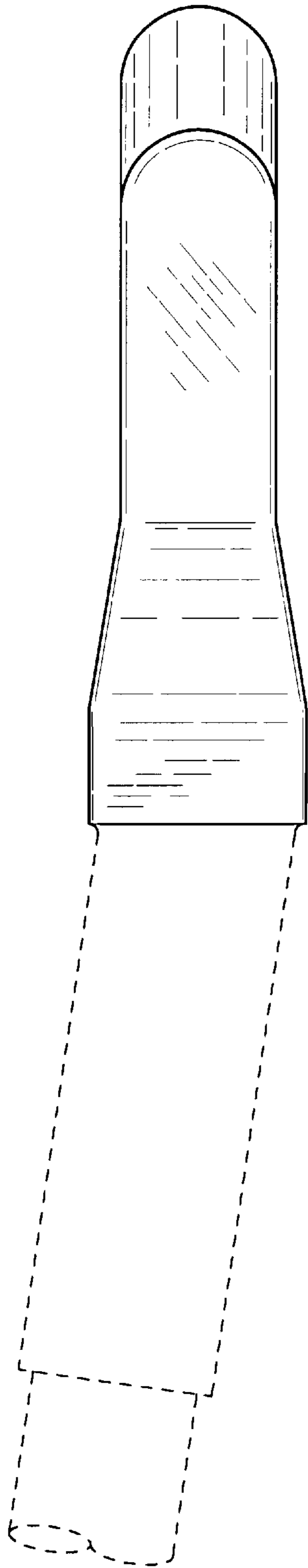


FIGURE 5

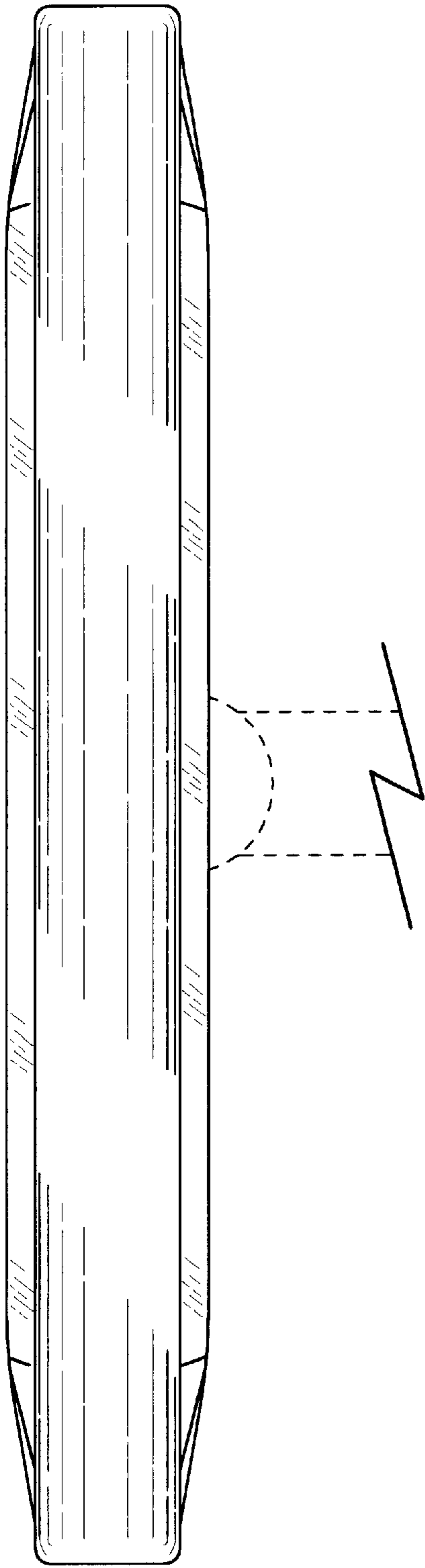


FIGURE 6

