



US00D488045S

(12) **United States Design Patent**
Onion

(10) **Patent No.: US D488,045 S**

(45) **Date of Patent: ** Apr. 6, 2004**

(54) **POCKET KNIFE**
(75) Inventor: **Kenneth J. Onion**, Kapolei, HI (US)
(73) Assignee: **Kai U.S.A., Ltd.**, Wilsonville, OR (US)
(**) Term: **14 Years**

5,095,624 A	3/1992	Ennis	30/161
5,111,581 A	5/1992	Collins	30/161
D333,251 S	2/1993	Glesser	D8/99
5,293,690 A	3/1994	Cassady	30/161
5,331,741 A	7/1994	Taylor, Jr.	30/158
5,400,509 A	3/1995	Collins	30/161
5,425,175 A	6/1995	Rogers	30/161
5,437,101 A	8/1995	Collins	30/153

(21) Appl. No.: **29/161,676**

(List continued on next page.)

(22) Filed: **May 30, 2002**

FOREIGN PATENT DOCUMENTS

(51) **LOC (7) Cl.** **08-03**

DE 1104386 4/1961

(52) **U.S. Cl.** **D8/99**

FR 1069862 7/1954

(58) **Field of Search** D8/98, 99, 100,
D8/107; D22/118; 30/152, 153, 154, 155,
156, 157, 158, 159, 160, 161, 162

OTHER PUBLICATIONS

Advertisements from the Aug., 1999 issue of *Blade* (pp. 8, 9, 15, 18, 20, 34, 73, 79, 116, 129, 137, 140 and 145-146).

(56) **References Cited**

Primary Examiner—Philip S. Hyder

(74) *Attorney, Agent, or Firm*—Kolisch Hartwell, P.C.

U.S. PATENT DOCUMENTS

(57) **CLAIM**

1,189,005 A	6/1916	Seely	
1,454,665 A	5/1923	Bobek	
1,743,022 A	1/1930	Carman	
3,868,774 A	3/1975	Miori	
4,040,181 A	8/1977	Johnson	
4,133,106 A	1/1979	Addis	
4,218,819 A	8/1980	Phelps	
4,240,201 A	12/1980	Sawby et al.	
4,268,960 A	5/1981	Reinschreiber	
4,274,200 A	6/1981	Coder	
4,322,885 A	4/1982	Osada	
4,404,748 A	9/1983	Wiethoff	
4,451,982 A	6/1984	Collins	
4,502,221 A	3/1985	Pittman	
4,670,984 A	6/1987	Rickard	
4,741,106 A	5/1988	Yamagishi	
4,805,303 A	2/1989	Gibbs	
4,811,486 A	3/1989	Cunningham	
4,837,932 A	6/1989	Elsener	
4,947,552 A	8/1990	Barnes	
4,974,323 A	12/1990	Cassady	
4,979,301 A	12/1990	Walker	
5,044,079 A	9/1991	Gibbs	30/160
5,060,379 A	10/1991	Neely	30/161
5,092,045 A	3/1992	Boyd, Jr. et al.	30/161

The ornamental design for a pocket knife, as shown and described.

DESCRIPTION

FIG. 1 is a rear perspective view of an embodiment of a pocket knife in an open configuration according to the present invention.

FIG. 2 is a view of the side of the pocket knife shown in FIG. 1.

FIG. 3 is a view of the opposing side of the first embodiment shown in FIG. 2.

FIG. 4 is a top view of the embodiment shown in FIG. 3.

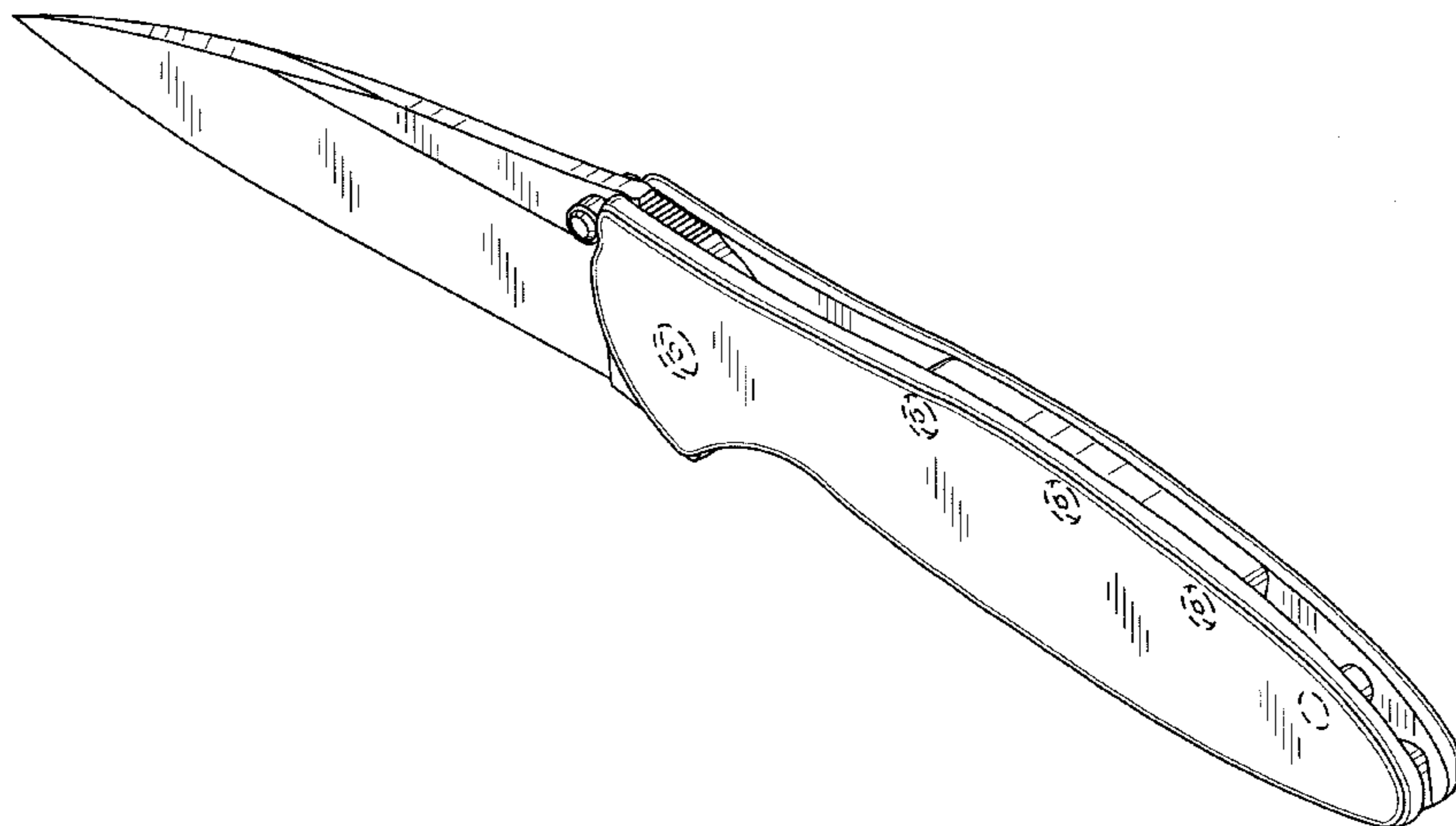
FIG. 5 is a bottom view of the embodiment shown in FIG. 3.

FIG. 6 is a rear view of the embodiment shown in FIG. 3; and,

FIG. 7 is front view of the embodiment shown in FIG. 3.

The broken lines shown in the above figures are for illustrative purposes and form no part of the claimed design.

1 Claim, 2 Drawing Sheets



US D488,045 S

Page 2

U.S. PATENT DOCUMENTS

5,461,786 A	10/1995	Miller	30/161	5,802,722 A	9/1998	Maxey et al.	30/160
5,493,781 A	2/1996	Saito	30/162	5,815,927 A	10/1998	Collins	30/161
5,502,895 A	4/1996	Lemaire	30/158	5,822,866 A	10/1998	Pardue	30/161
5,511,310 A	4/1996	Sessions et al.	30/161	5,826,340 A	10/1998	Hull	30/161
5,515,610 A	5/1996	Levin et al.	30/161	5,845,404 A	12/1998	Jeffcoat	30/125
5,537,750 A	7/1996	Seber et al.	30/161	D407,002 S *	3/1999	Morton et al.	D8/99
5,581,895 A	12/1996	Jeffcoat	30/294	D407,003 S *	3/1999	Macowski et al.	D8/99
5,689,885 A	11/1997	Walston	30/160	5,887,347 A	3/1999	Gibbs	30/161
5,692,304 A	12/1997	Campbell	30/161	D422,479 S *	4/2000	Pardue	D8/99
D389,389 S *	1/1998	Glesser	D8/99	6,122,829 A	9/2000	McHenry et al.	30/161
D389,718 S *	1/1998	Wegner	D8/99	6,125,543 A	10/2000	Jhones	30/161
5,737,841 A	4/1998	McHenry et al.	30/161	6,145,202 A	11/2000	Onion	30/160
5,755,035 A	5/1998	Weatherly	30/161	D434,631 S *	12/2000	Lum	D8/99

* cited by examiner

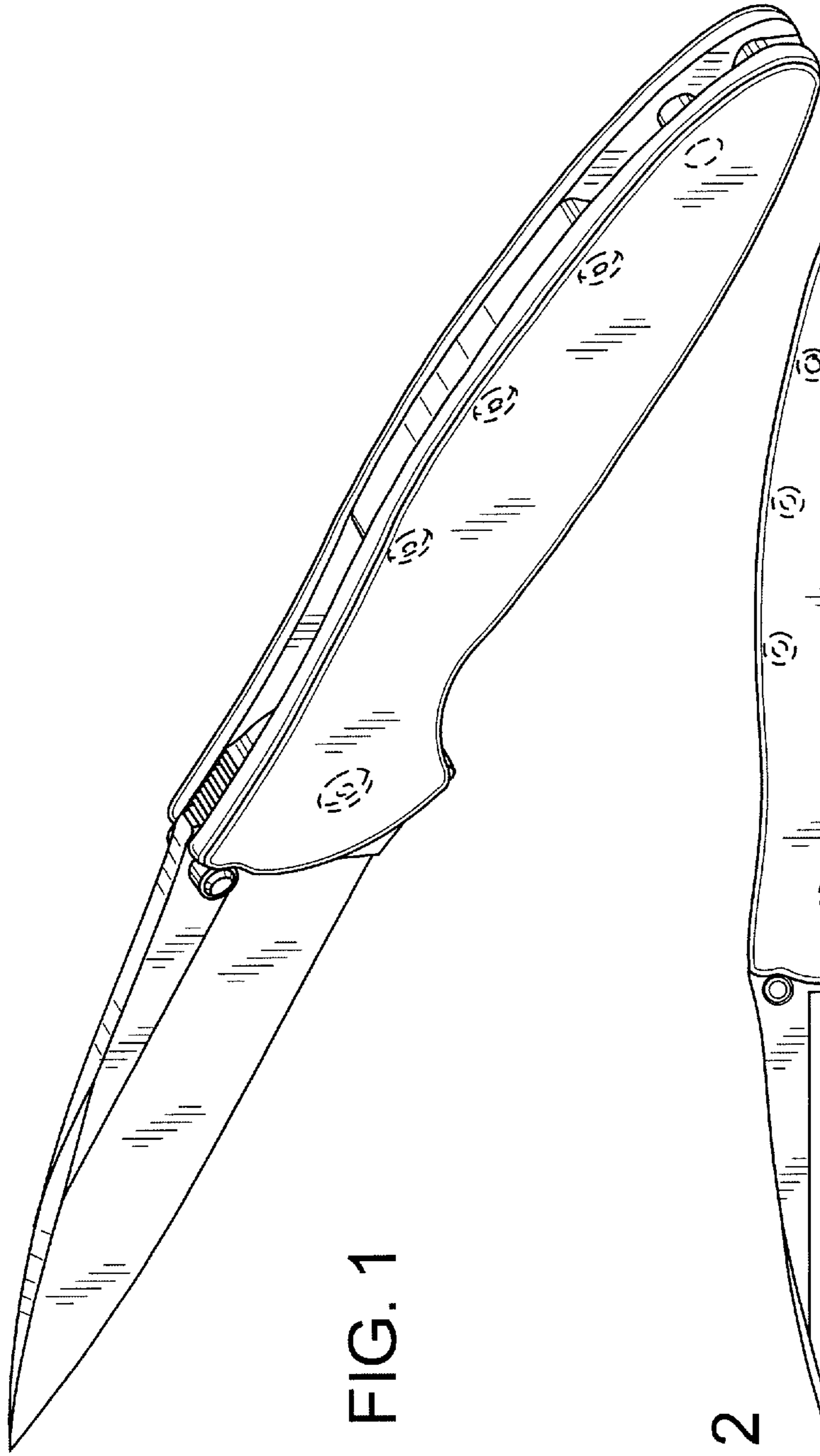


FIG. 1

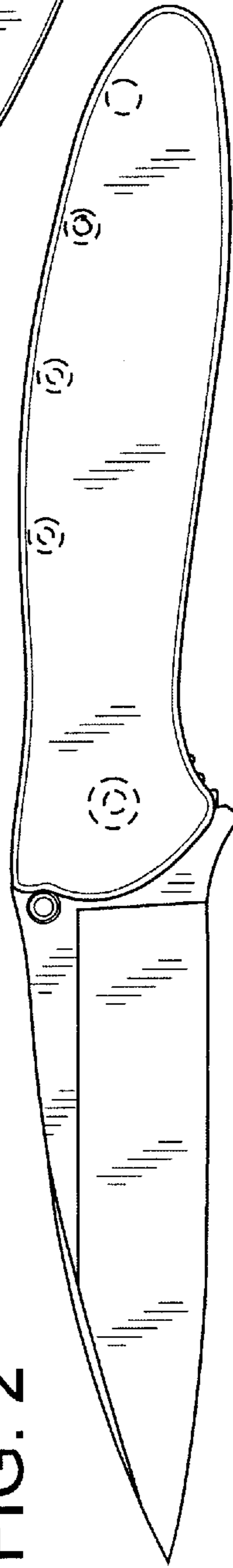


FIG. 2

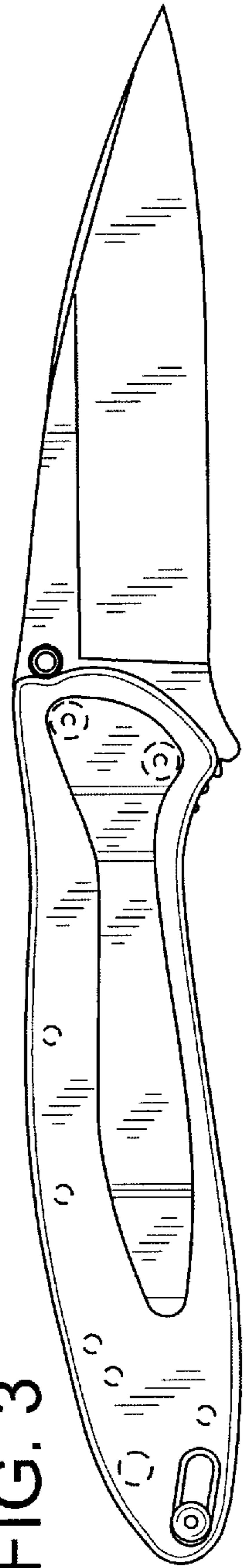


FIG. 3

