



US00D488044S

(12) **United States Design Patent** (10) **Patent No.:** **US D488,044 S**
Varzino (45) **Date of Patent:** **** Apr. 6, 2004**

(54) **APPARATUS FOR SECURING A WORK PIECE**

(75) Inventor: **Robert E. Varzino**, Batavia, IL (US)

(73) Assignee: **WMH Tool Group, Inc.**, Elgin, IL (US)

(**) Term: **14 Years**

(21) Appl. No.: **29/154,932**

(22) Filed: **Feb. 1, 2002**

(51) **LOC (7) Cl.** **08-05**

(52) **U.S. Cl.** **D8/72; D8/74**

(58) **Field of Search** D8/71-74; 81/363, 81/429, 487; 269/98, 247, 252, 253, 1, 147, 95; 24/486, 525

(56) **References Cited**

U.S. PATENT DOCUMENTS

449,987	A	4/1891	Wies
457,710	A	8/1891	Emmert
693,811	A	2/1902	Yonge
703,376	A	7/1902	Bingham
753,837	A	3/1904	Barcus
777,611	A	12/1904	Dodge
1,106,096	A	8/1914	Hunt
1,497,107	A	6/1924	Lasell

(List continued on next page.)

FOREIGN PATENT DOCUMENTS

DE	328149	10/1920
DE	332373	2/1921
DE	1 099 478	2/1961
DE	2 149 012	4/1972
DE	2 326 546	12/1974
DE	24 03 830	3/1975
DE	28 06 555	8/1979
DE	8907067	10/1989

(List continued on next page.)

OTHER PUBLICATIONS

U.S. patent application Publication 2003/0090048 May 15, 2003, Varzino et al.*

Phil McCafferty, *One-Hand Clamp*, Popular Science Aug. 1989 (3 pp.).

Wilton Corporation 2001 Catalog (21 pages).

Rhombus Tools Limited, United Kingdom Publication, entitled *A Sliding Jaw Clamp*, Nov. 9, 1988 (2 pages).

Primary Examiner—Louis S. Zarfes

Assistant Examiner—Gregory Andoll

(74) *Attorney, Agent, or Firm*—Fitch, Even, Tabin & Falnery

(57) **CLAIM**

I claim the ornamental design for an apparatus for securing a work piece, as shown and described.

DESCRIPTION

FIG. 1 is a perspective view of an apparatus for securing a work piece according to my new design, the broken lines of the apparatus for securing a work piece are for illustrative purposes only and form no part of the claimed design;

FIG. 2 is an exploded view of the apparatus for securing a workpiece of FIG. 1, the broken lines of the apparatus for securing a work piece are for illustrative purposes only and form no part of the claimed design;

FIG. 3 is a front elevational view of the apparatus for securing a work piece of FIG. 1, the broken lines of the apparatus for securing a work piece are for illustrative purposes only and form no part of the claimed design;

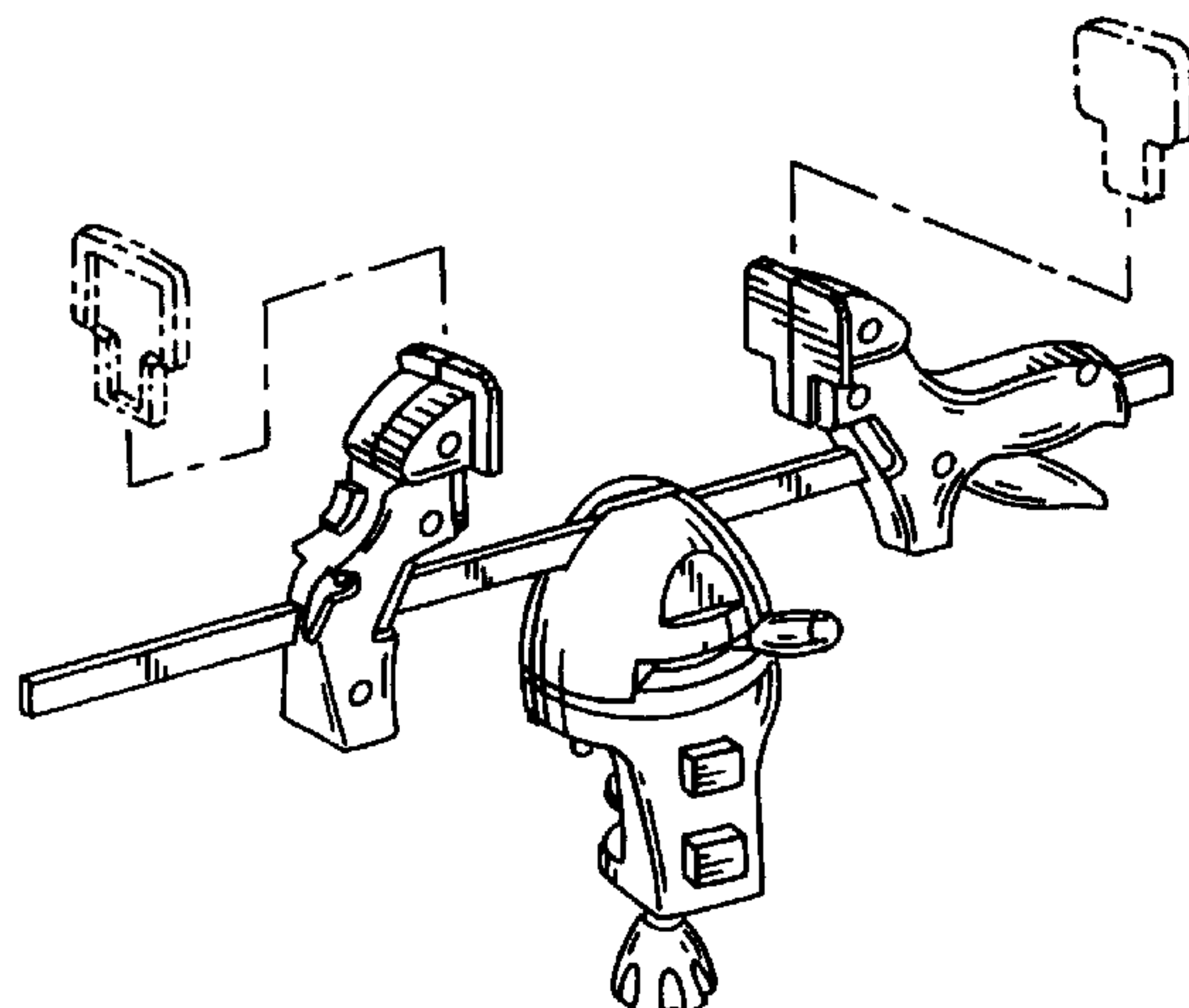
FIG. 4 is a rear elevational view of the apparatus for securing a work piece of FIG. 1, the broken lines of the apparatus for securing a work piece are for illustrative purposes only and form no part of the claimed design;

FIG. 5 is a left side elevational view of the apparatus for securing a work piece of FIG. 1;

FIG. 6 is a right side elevational view of the apparatus for securing a work piece of FIG. 1; and,

FIG. 7 is a top plan view of the apparatus for securing a work piece of FIG. 1.

1 Claim, 4 Drawing Sheets



US D488,044 S

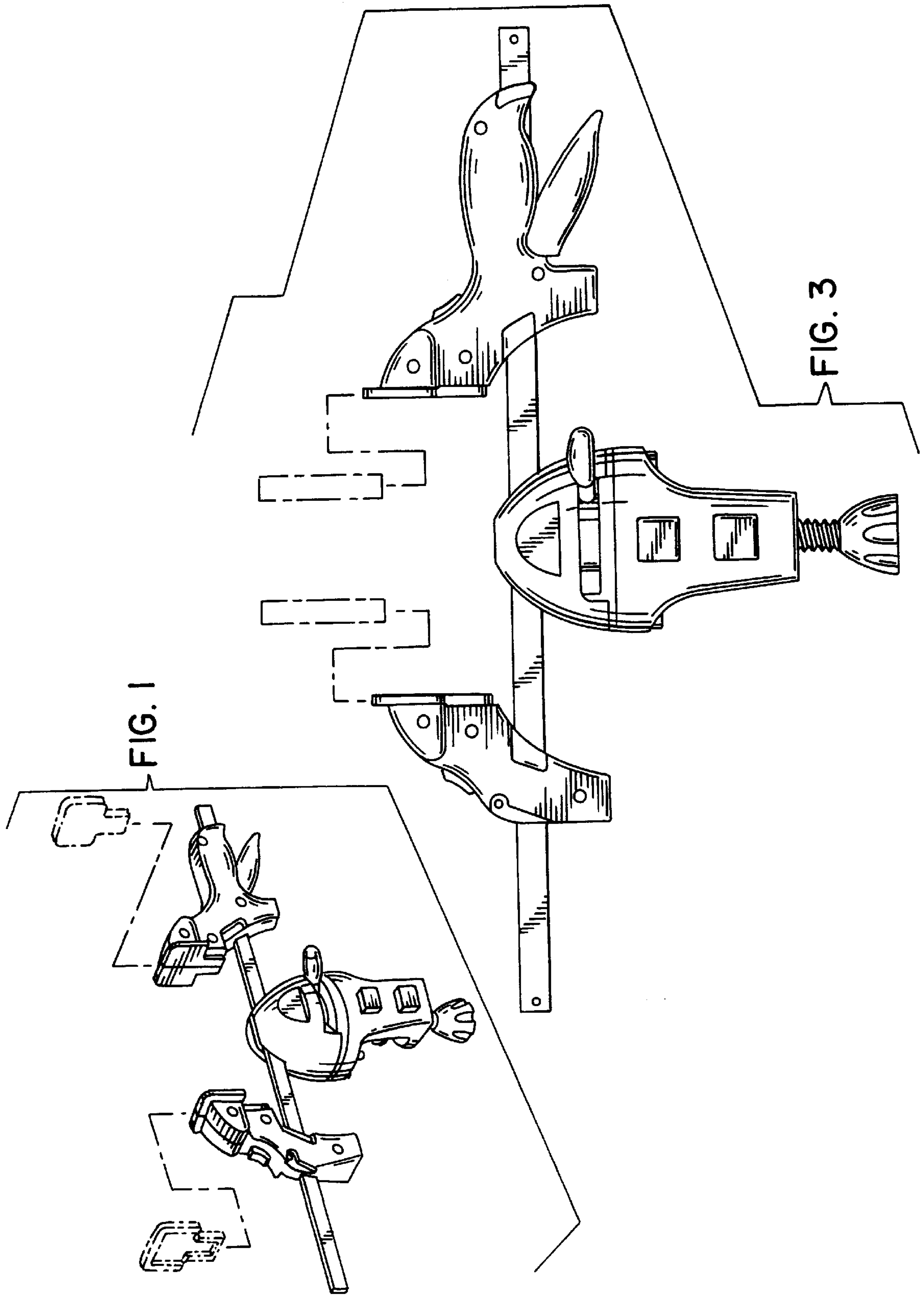
U.S. PATENT DOCUMENTS

1,739,488 A	12/1929	Thayer	5,094,131 A	3/1992	Sorensen et al.
1,811,518 A	6/1931	Palmer	D328,846 S	* 8/1992	Sorensen et al. D8/72
1,890,114 A	12/1932	Fulton	5,161,787 A	11/1992	Hobday
2,149,541 A	3/1939	Nagle	D333,602 S	* 3/1993	Gatzemeyer et al. D8/72
D145,641 S	* 9/1946	Thompson D8/74	5,197,360 A	3/1993	Wooster, Jr.
2,430,458 A	11/1947	Farrell	5,222,420 A	6/1993	Sorensen et al.
2,559,925 A	7/1951	Barker	5,348,276 A	9/1994	Blacker
2,669,958 A	2/1954	Sweeney	5,421,384 A	6/1995	Nuwordu
2,704,951 A	3/1955	Petersen	5,454,551 A	10/1995	Hobday
2,734,409 A	2/1956	Schum et al.	D366,820 S	* 2/1996	Wooster, Jr. et al. D8/72
D181,115 S	10/1957	Vogl	5,568,916 A	10/1996	Gibbons et al.
3,007,358 A	11/1961	Vogl et al.	5,593,147 A	1/1997	Read
3,096,975 A	7/1963	Irwin	5,692,734 A	12/1997	Aldredge, Sr.
3,193,277 A	7/1965	Nagamori	5,775,680 A	7/1998	Sorensen et al.
3,224,752 A	12/1965	Benbow	5,826,310 A	10/1998	Hobday
3,281,140 A	10/1966	Smieriak	5,830,091 A	11/1998	Romanick
3,307,843 A	3/1967	Torossian	5,853,168 A	12/1998	Drake
3,377,061 A	4/1968	Watson	D417,377 S	12/1999	Blank et al.
3,492,886 A	2/1970	Naureckas	6,113,085 A	9/2000	Lindenthal et al.
3,663,005 A	5/1972	Peddinghaus	6,135,435 A	10/2000	Schmitz
3,669,440 A	6/1972	Kartasuk et al.	6,220,589 B1	4/2001	Smith, III et al.
3,675,916 A	7/1972	Kartasuk et al.	6,347,792 B1	2/2002	O'Brien
3,768,797 A	10/1973	Kartasuk et al.	6,412,767 B1	7/2002	Beckmann et al.
3,883,128 A	5/1975	Breese	6,450,489 B1	9/2002	Wang
4,040,613 A	8/1977	Kartasuk et al.	D471,070 S	* 3/2003	Howell D8/72
4,057,239 A	11/1977	Hopf et al.	6,530,565 B1	3/2003	Simpson
4,081,112 A	3/1978	Chang			
4,185,811 A	1/1980	Long			
4,220,322 A	9/1980	Hobday			
4,253,648 A	3/1981	Meeks			
4,339,113 A	7/1982	Vosper			
4,436,294 A	3/1984	Irelan			
4,534,547 A	8/1985	Cox			
4,563,921 A	1/1986	Wallace			
4,830,350 A	5/1989	Kuei			
4,893,801 A	1/1990	Flinn			
4,926,722 A	5/1990	Sorensen et al.			
4,932,638 A	6/1990	Chen			
4,989,847 A	2/1991	Chapman			
5,005,449 A	4/1991	Sorensen et al.			
5,009,134 A	4/1991	Sorensen et al.			
5,022,137 A	6/1991	Sorensen et al.			
D320,919 S	10/1991	Sorensen			

FOREIGN PATENT DOCUMENTS

GB	443381	2/1936
GB	819506	9/1959
GB	956390	4/1964
GB	973387	10/1964
GB	1 408 386	10/1975
GB	1 555 455	11/1979
GB	2 063 111	6/1981
GB	2 178 689 A	2/1987
GB	2 182 271	5/1987
GB	2 204 260 A	11/1988
GB	2 204 263 A	11/1988
GB	2 204 264 A	11/1988
GB	2 214 109 A	8/1989
GB	2 221 634	2/1990

* cited by examiner



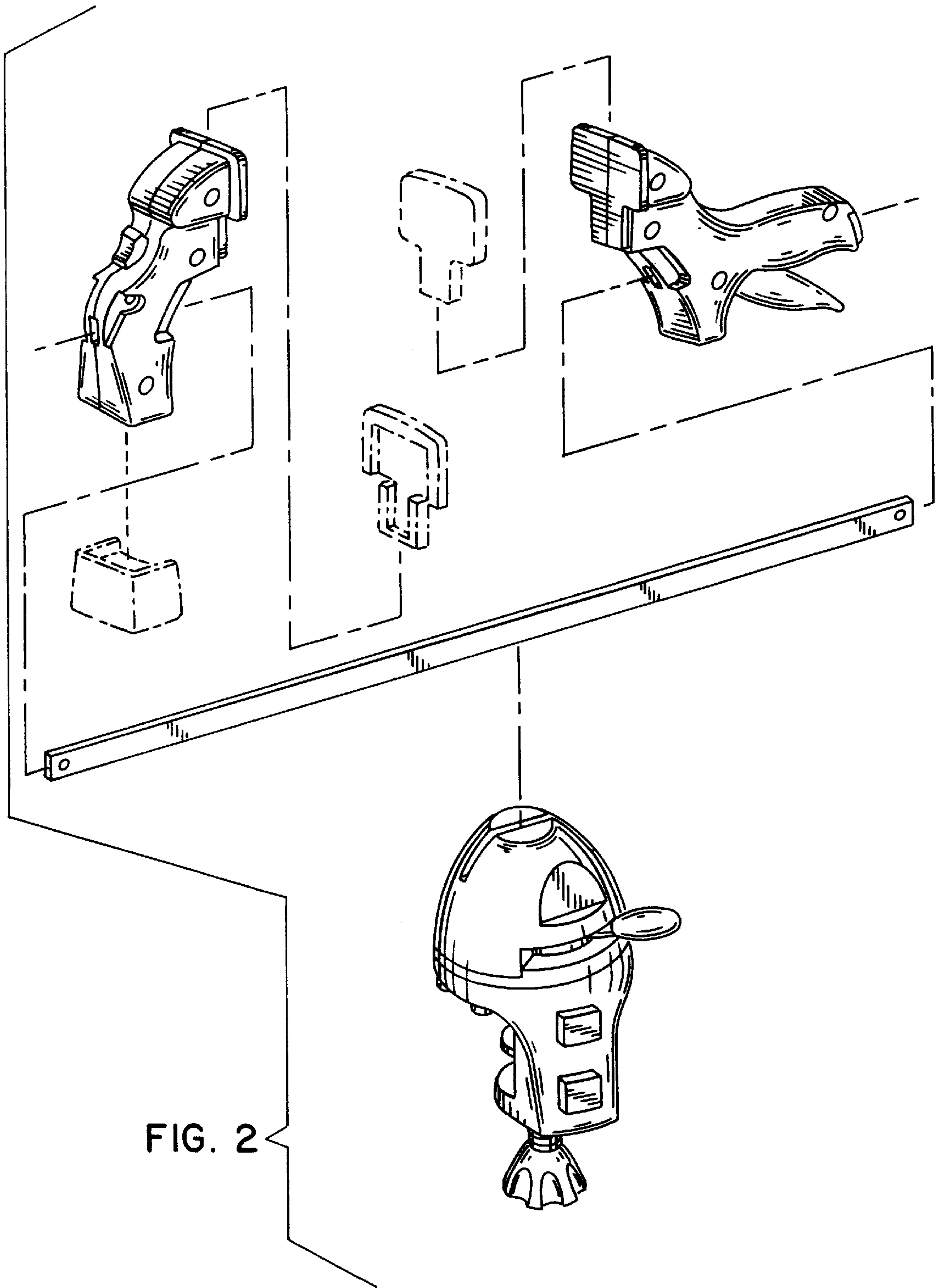


FIG. 2

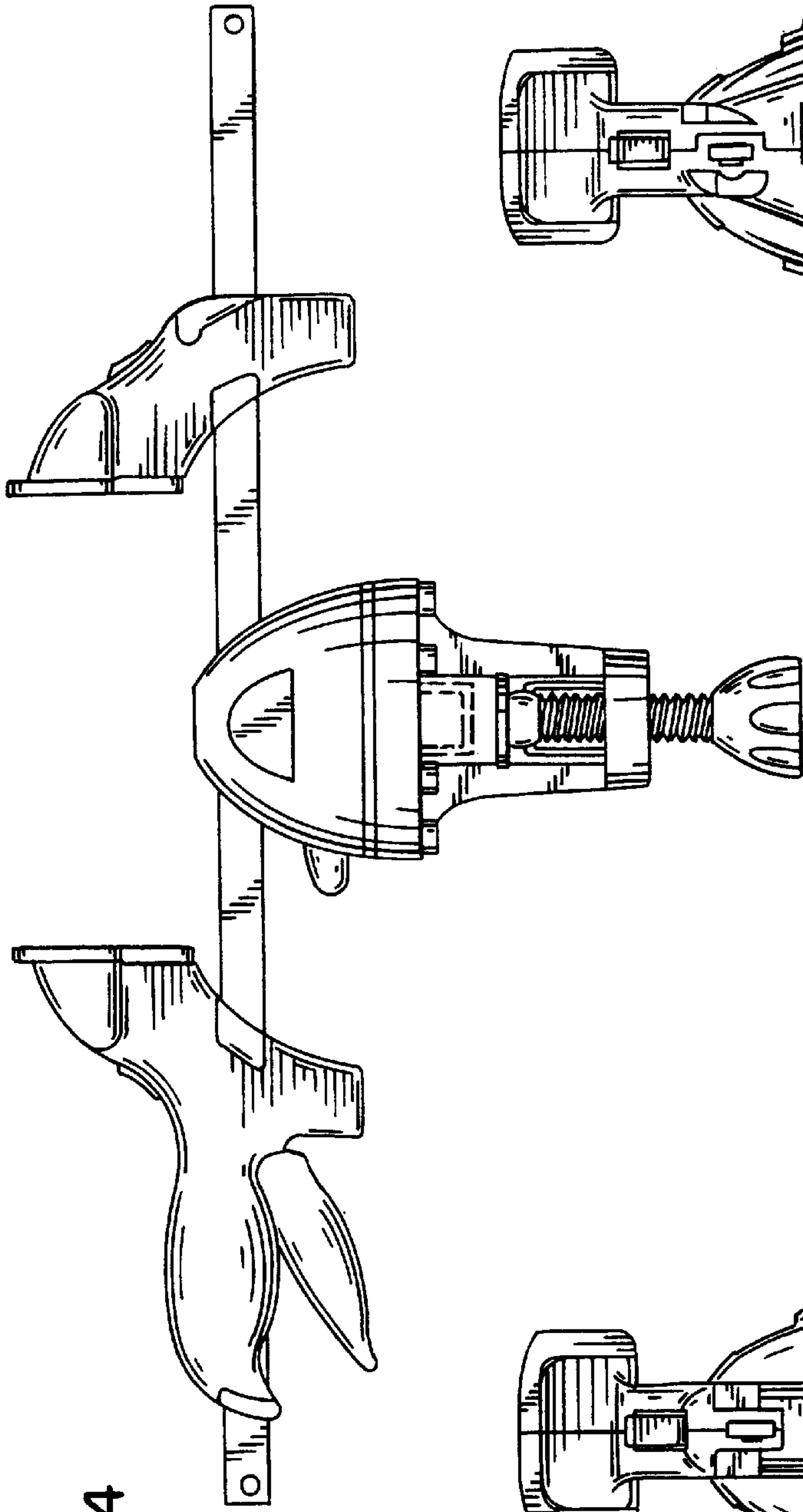


FIG. 4

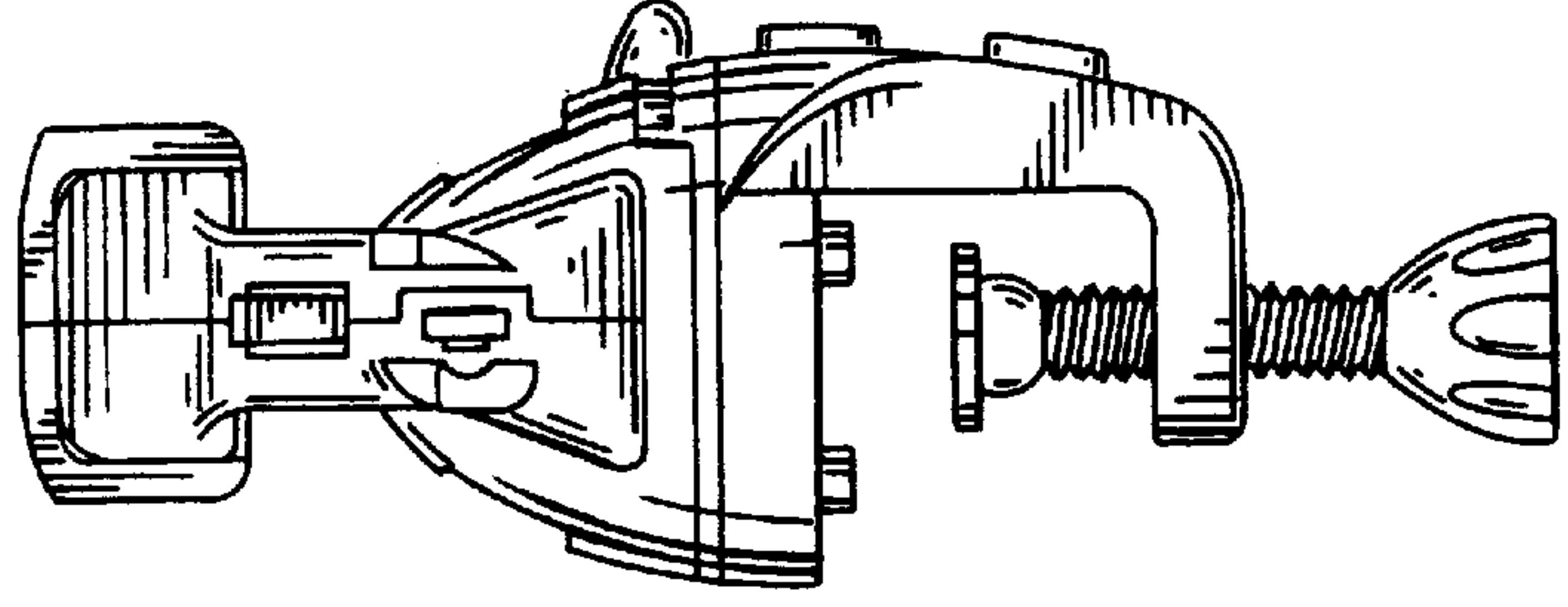


FIG. 6

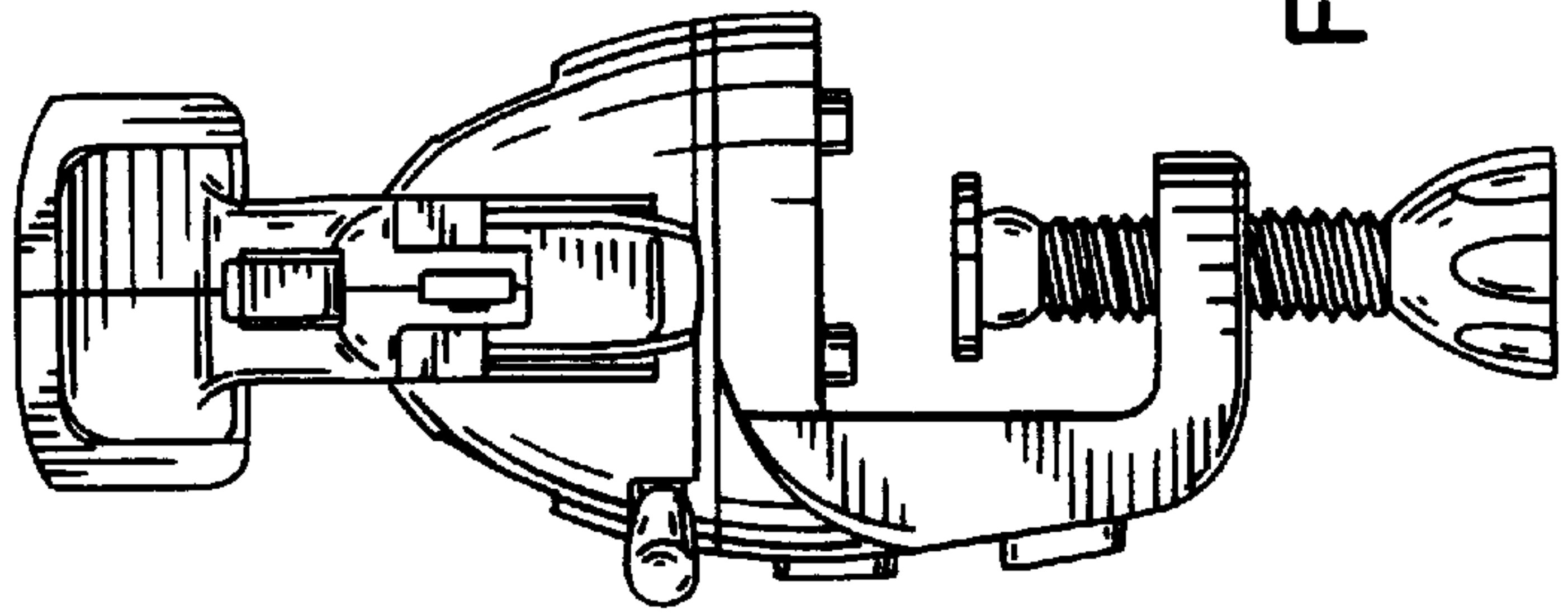


FIG. 5

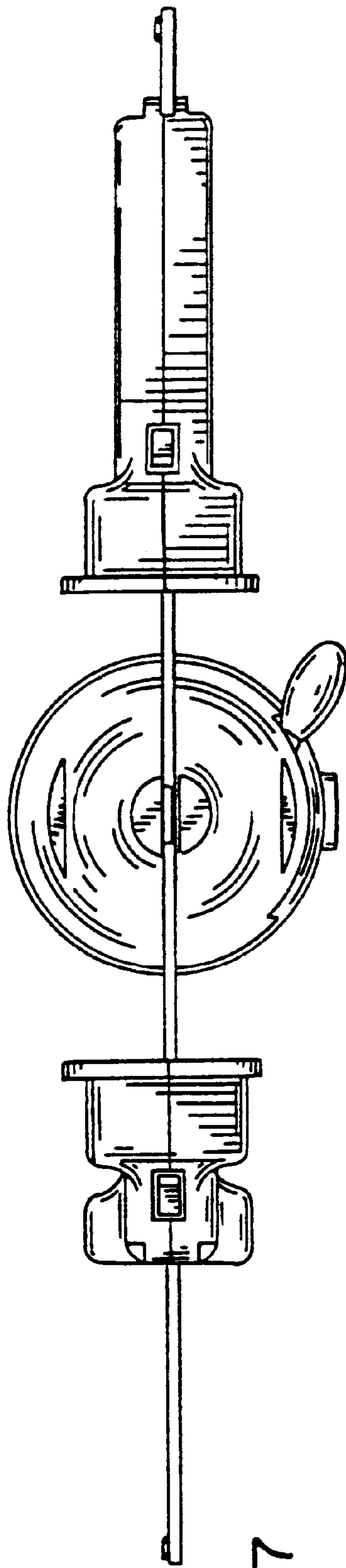


FIG. 7