



US00D488041S

(12) **United States Design Patent**
Chen

(10) **Patent No.:** **US D488,041 S**

(45) **Date of Patent:** **** Apr. 6, 2004**

(54) **PNEUMATIC TOOL**

(76) **Inventor:** **Lung-Hui Chen**, No. 296-1, Jungshan Rd., Jubei City, Hsinchu (TW)

(**) **Term:** **14 Years**

(21) **Appl. No.:** **29/182,759**

(22) **Filed:** **Jun. 2, 2003**

(51) **LOC (7) Cl.** **08-05**

(52) **U.S. Cl.** **D8/68**

(58) **Field of Search** D8/14.1, 61, 62, D8/63, 64, 65, 66, 67, 68, 69, 70; 81/57.11, 429, 464, 465, 466, 469, 489; 173/13, 169, 178, 213, 217; 227/8, 114, 120, 130, 136, 142; 310/50; 408/20, 124, 125, 234, 241 R; 451/358

5,353,474 A	*	10/1994	Good et al.	173/169
D358,314 S	*	5/1995	Izumisawa	D8/62
D364,544 S	*	11/1995	Izumisawa	D8/62
D430,995 S	*	9/2000	Izumisawa	D8/62
D444,365 S	*	7/2001	Bass et al.	D8/68
D452,638 S	*	1/2002	Chen	D8/62
D452,805 S	*	1/2002	Chen	D8/62
D458,103 S	*	6/2002	Chen	D8/68
D459,177 S	*	6/2002	Chen	D8/68
D459,180 S	*	6/2002	Morgan	D8/68
D459,182 S	*	6/2002	Morgan	D8/68
D459,643 S	*	7/2002	Morgan	D8/68
D460,675 S	*	7/2002	Morgan	D8/68
D476,209 S	*	6/2003	Chen	D8/68

* cited by examiner

Primary Examiner—Doris V. Coles

Assistant Examiner—T. Chase Nelson

(74) *Attorney, Agent, or Firm*—Birch, Stewart Kolasch & Birch, LLP

(56) **References Cited**

U.S. PATENT DOCUMENTS

D133,841 S	*	9/1942	Reynolds	D8/68
D134,509 S	*	12/1942	Reynolds	D8/68
D139,821 S	*	12/1944	Forss	D8/68
D167,826 S	*	9/1952	Doeden	D8/68
2,966,138 A	*	12/1960	Quackenbush	173/169
3,043,274 A	*	7/1962	Quackenbush	173/169
3,454,059 A	*	7/1969	Sindelar	81/429
D233,130 S	*	10/1974	Slany	D8/68
D233,131 S	*	10/1974	Slany	D8/68
3,901,631 A	*	8/1975	Wickham et al.	D8/68
D269,588 S	*	7/1983	Ludwig	D8/68
D289,136 S	*	4/1987	Doman	D8/62
D299,411 S	*	1/1989	Porcaro	D8/68
D300,313 S	*	3/1989	Izumisawa	D8/68
D322,384 S	*	12/1991	Wan	D8/68

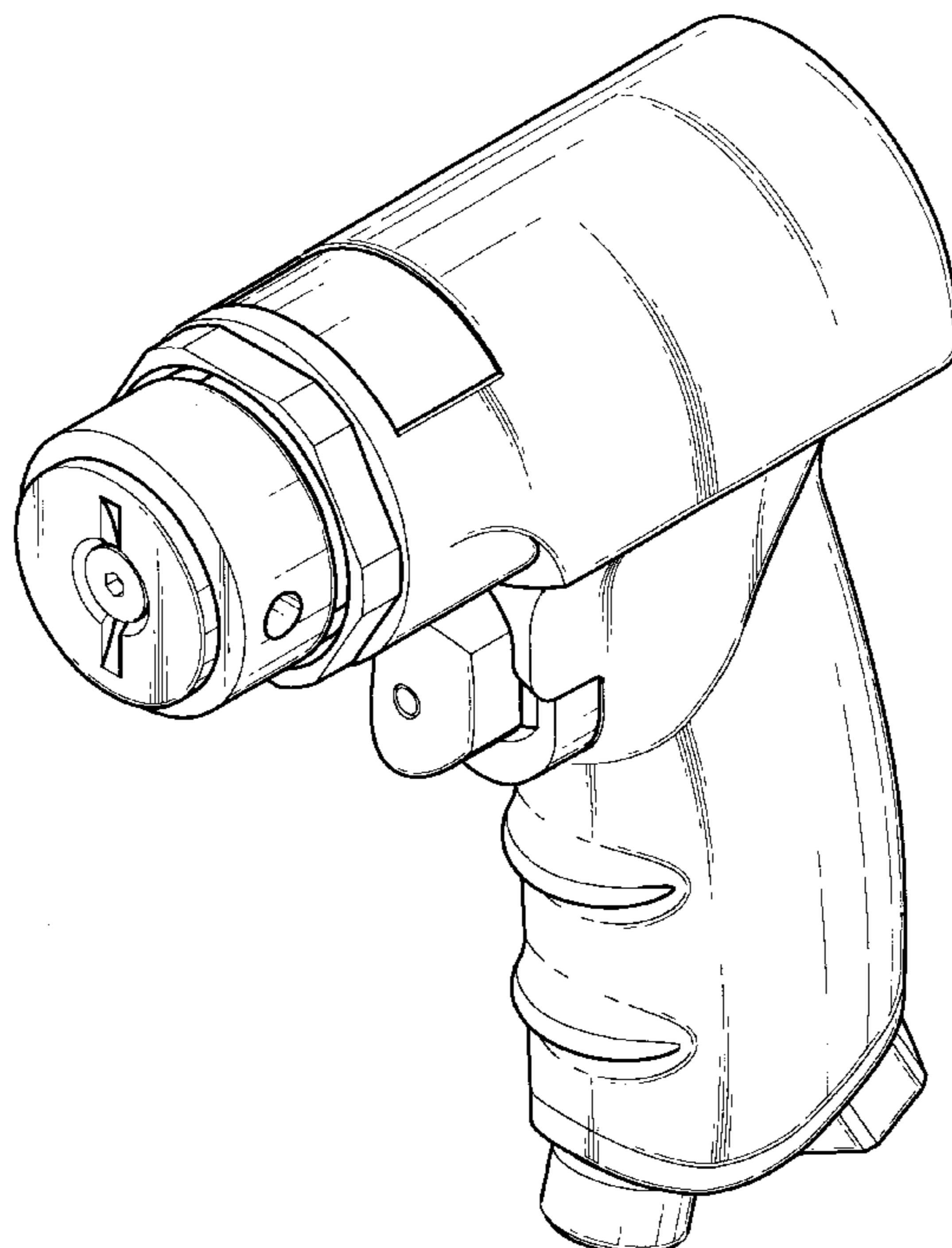
(57) **CLAIM**

The ornamental design for pneumatic tool, as shown and described.

DESCRIPTION

FIG. 1 is a perspective view of pneumatic tool showing my new design thereof;
FIG. 2 is a right side elevational view thereof;
FIG. 3 is a top plan view thereof;
FIG. 4 is a front side elevational view thereof;
FIG. 5 is a bottom plan view thereof;
FIG. 6 is a left side elevational view thereof; and,
FIG. 7 is a rear side elevational view thereof.

1 Claim, 5 Drawing Sheets



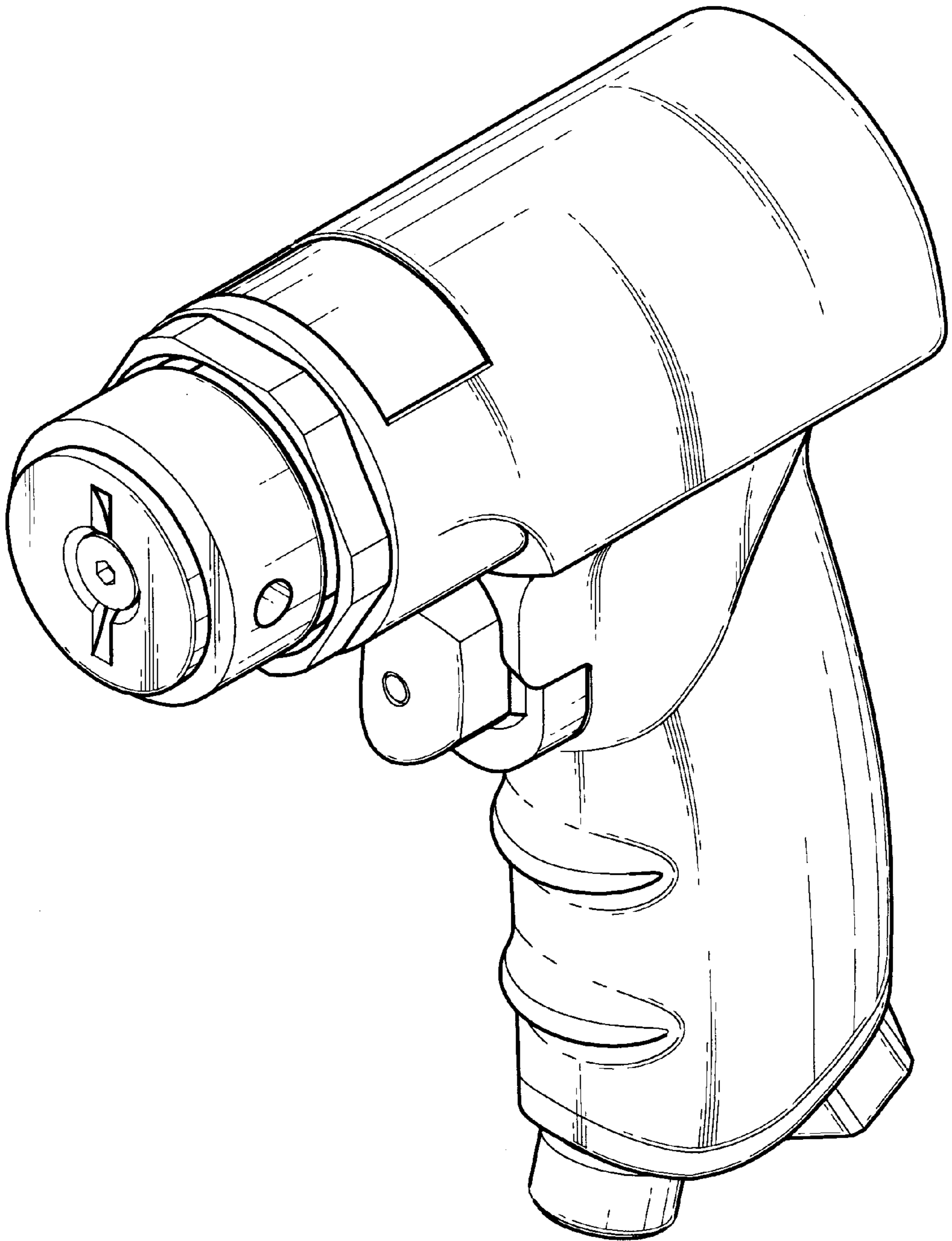


Fig. 1

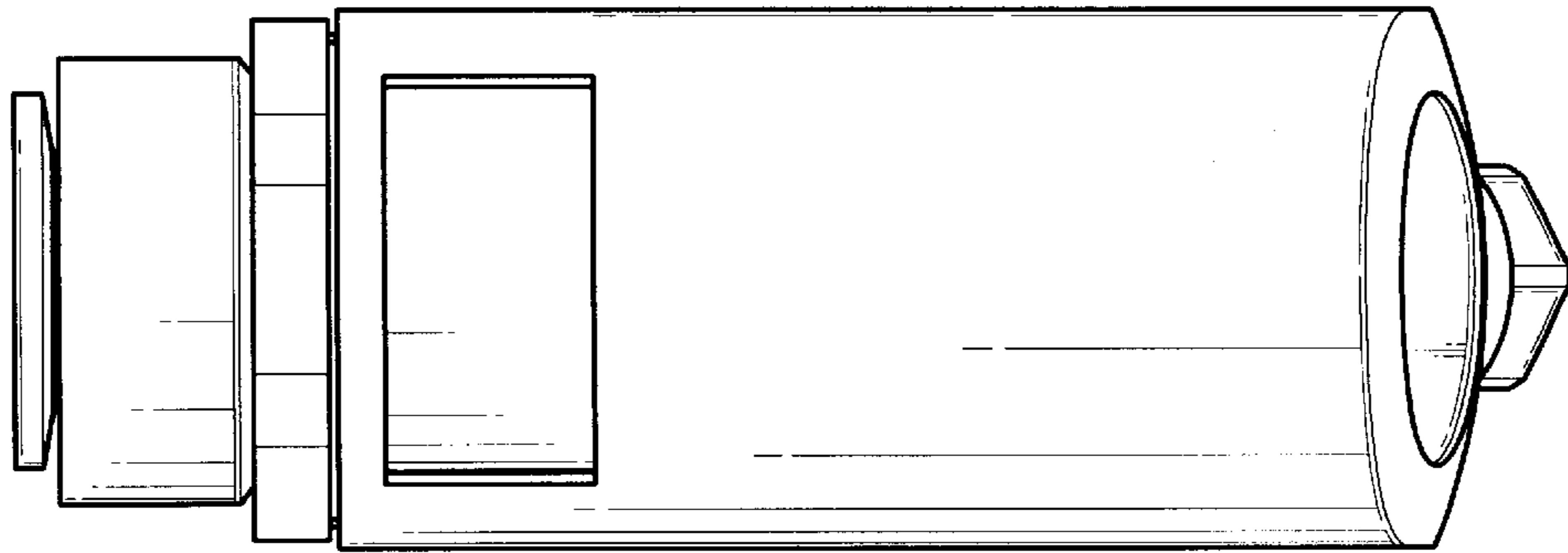


Fig.3

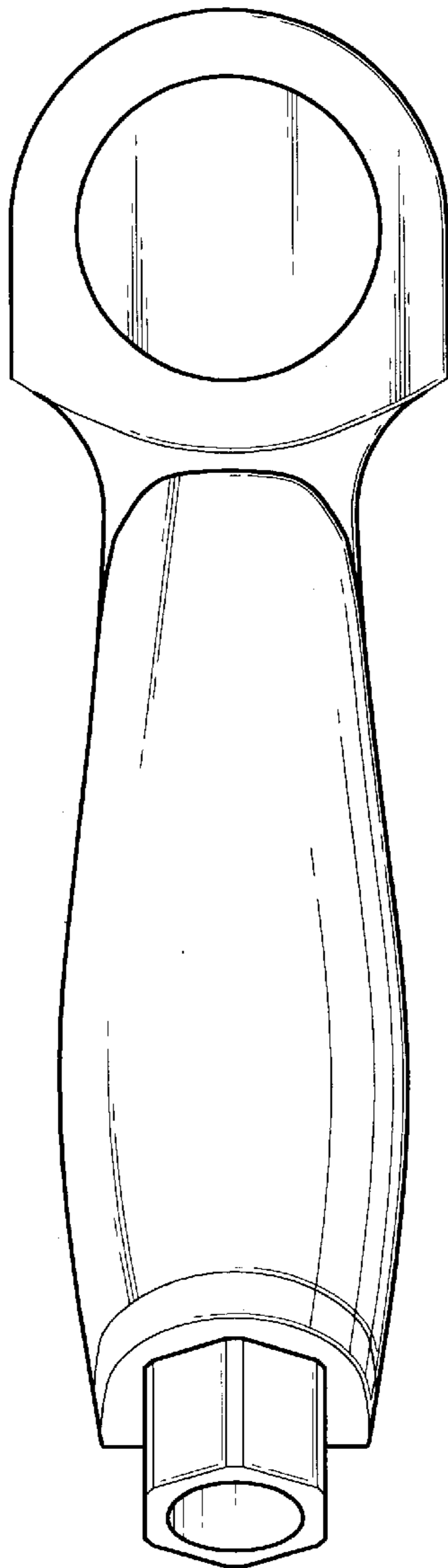


Fig.2

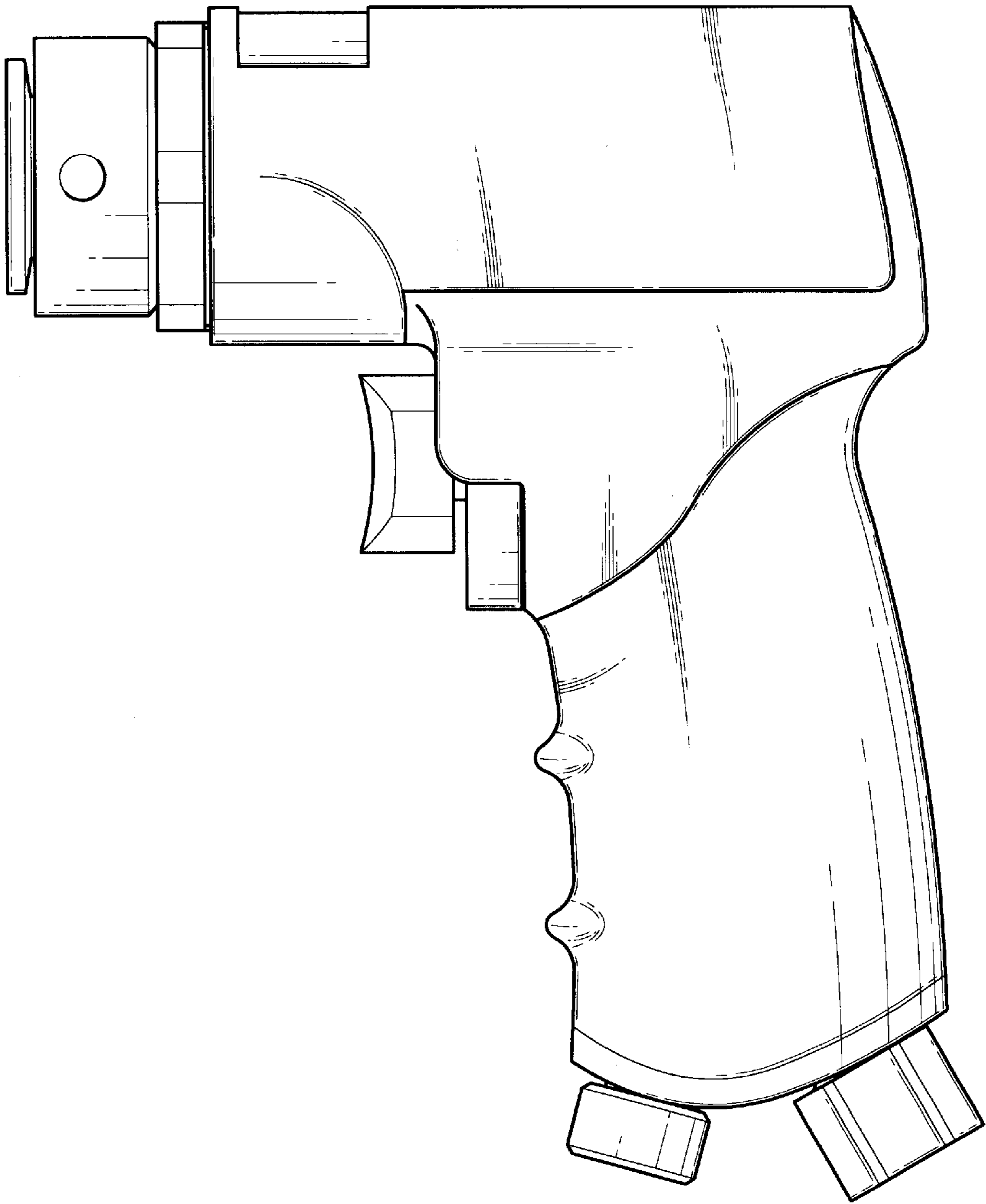


Fig.4

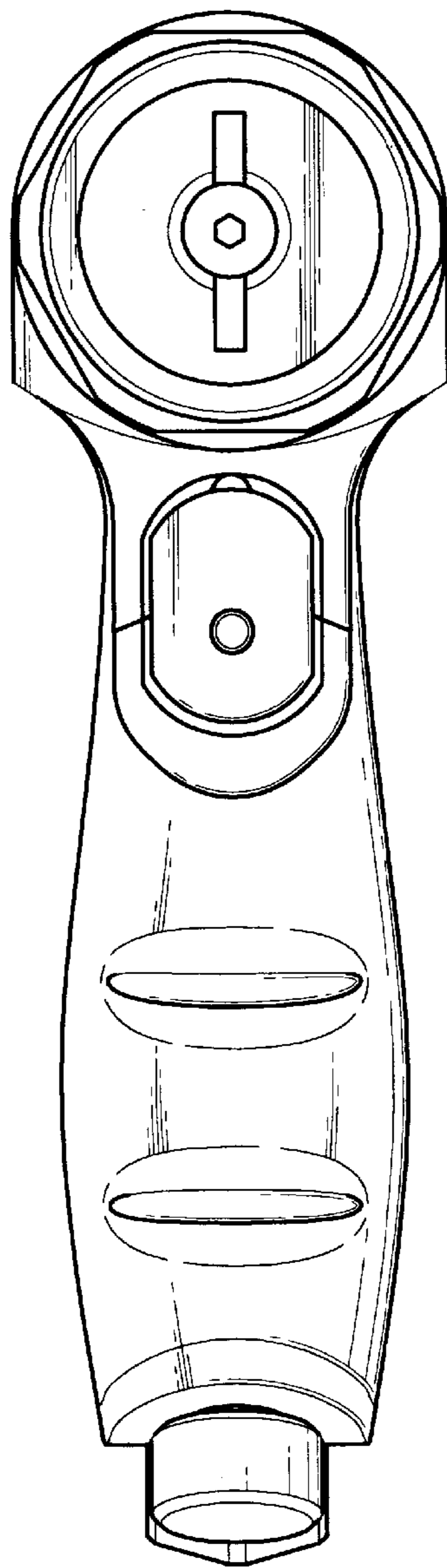


Fig. 6

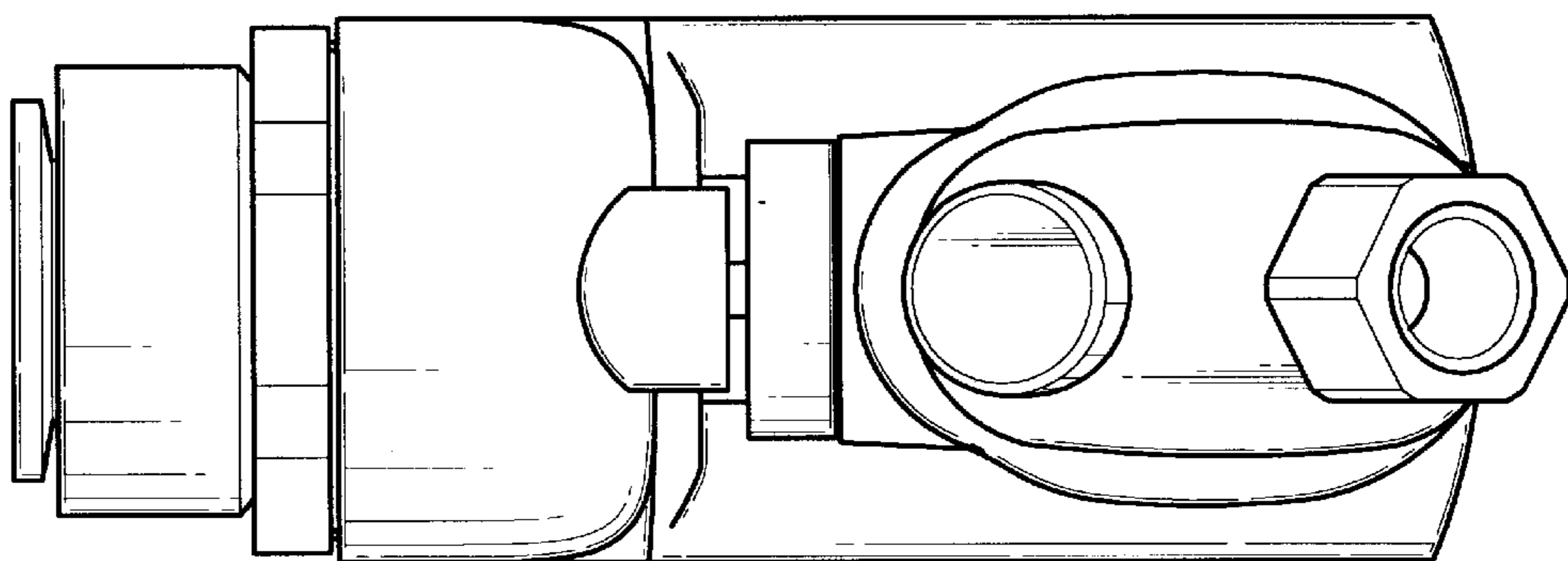


Fig. 5

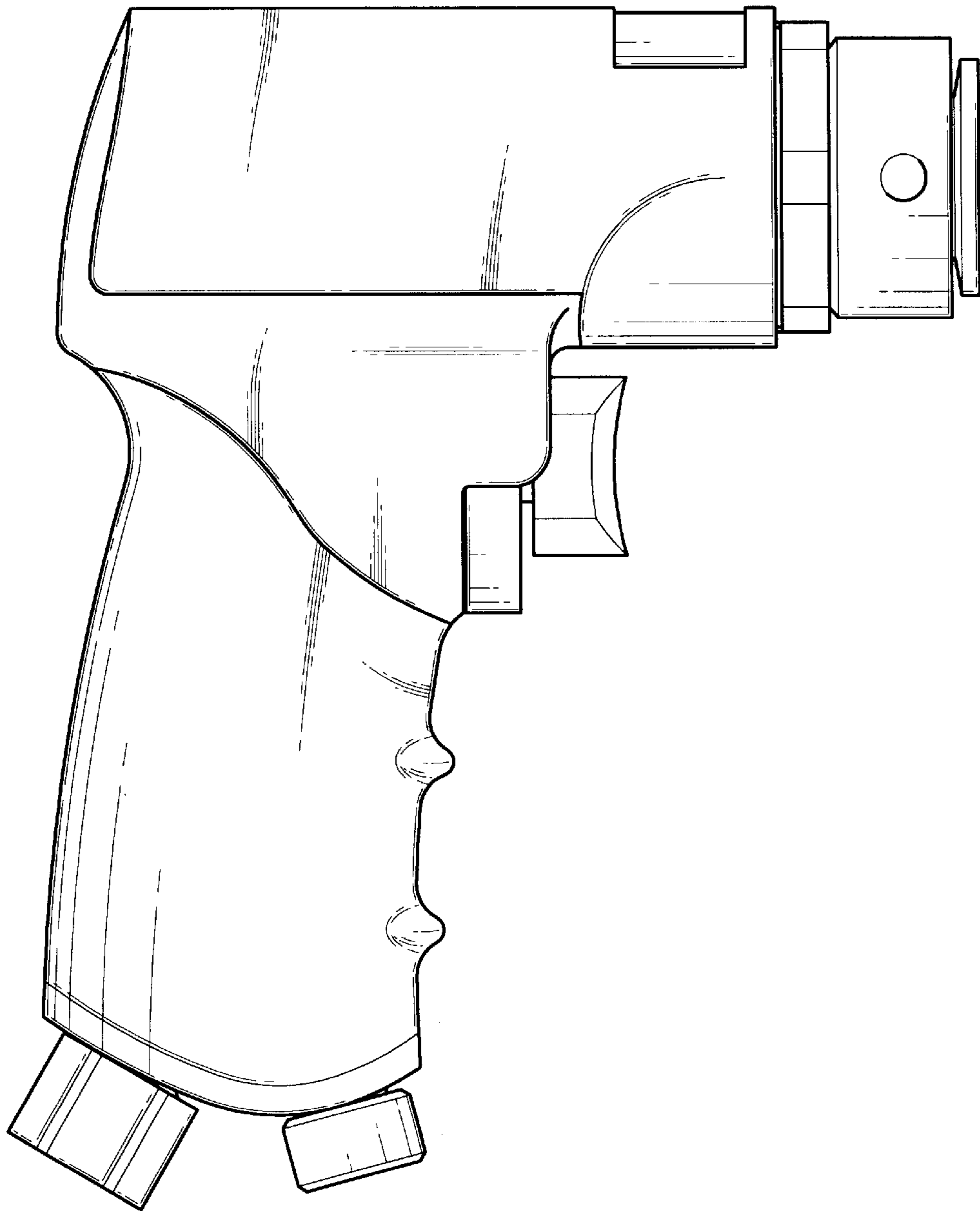


Fig.7