



US00D488039S

(12) **United States Design Patent**  
**Everett**

(10) **Patent No.:** **US D488,039 S**

(45) **Date of Patent:** **\*\* Apr. 6, 2004**

(54) **NET WIRE FENCE STRETCHER**

(76) Inventor: **Russell Everett**, 205 Private Rd. 3131,  
Utopia, TX (US) 78884

(\*\*) Term: **14 Years**

(21) Appl. No.: **29/182,150**

(22) Filed: **May 20, 2003**

(51) **LOC (7) Cl.** ..... **08-05**

(52) **U.S. Cl.** ..... **D8/44**

(58) **Field of Search** ..... D8/14, 44, 51,  
D8/71; 294/132, 104, 237

(56) **References Cited**

**U.S. PATENT DOCUMENTS**

844,309 A *	2/1907	Miller	.....	294/132
889,819 A *	6/1908	Shotwell	.....	294/132
1,184,021 A *	5/1916	Rivers	.....	294/132

\* cited by examiner

*Primary Examiner*—Holly Baynham  
(74) *Attorney, Agent, or Firm*—Wayne J. Colton, Inc.

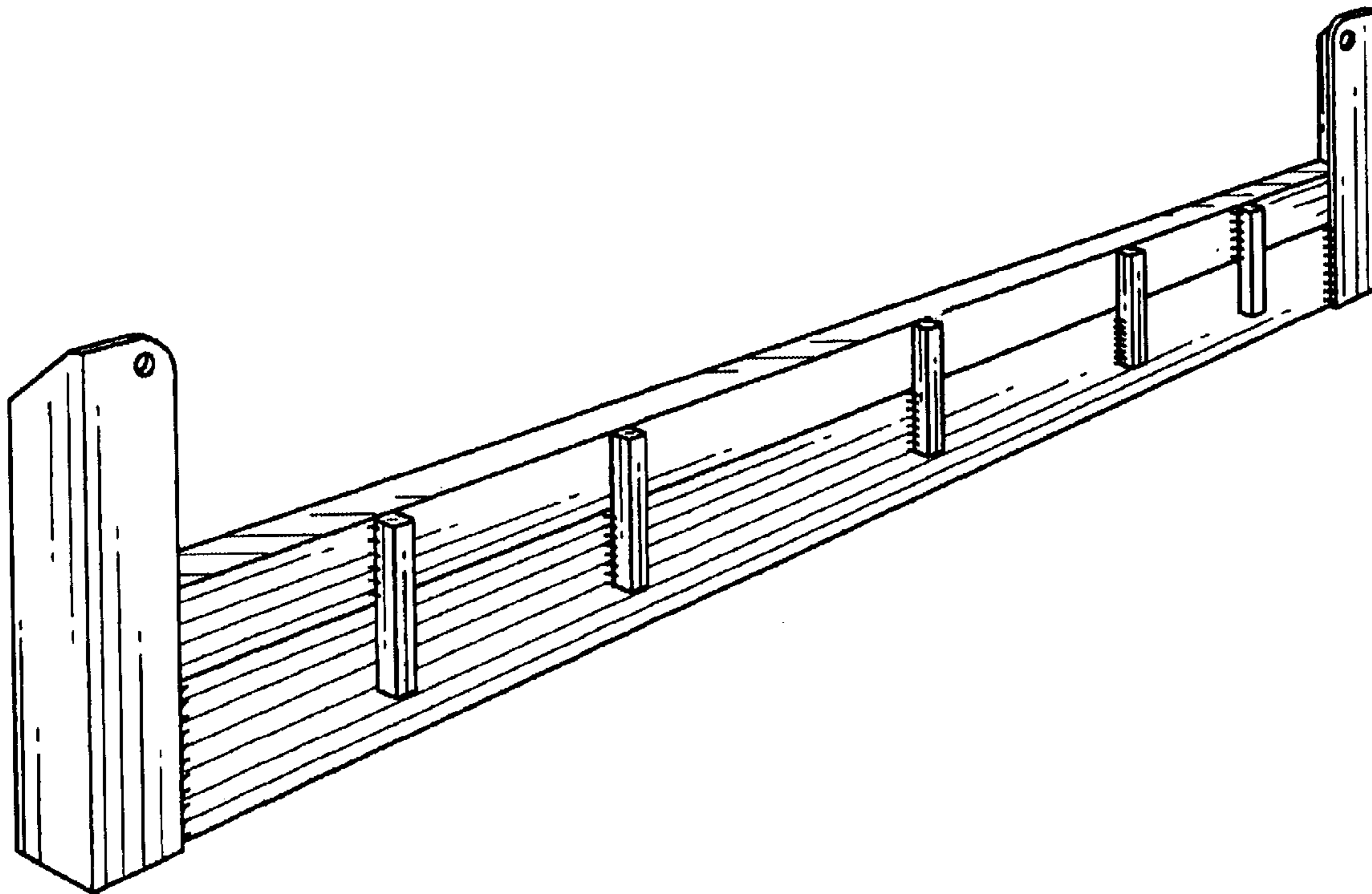
(57) **CLAIM**

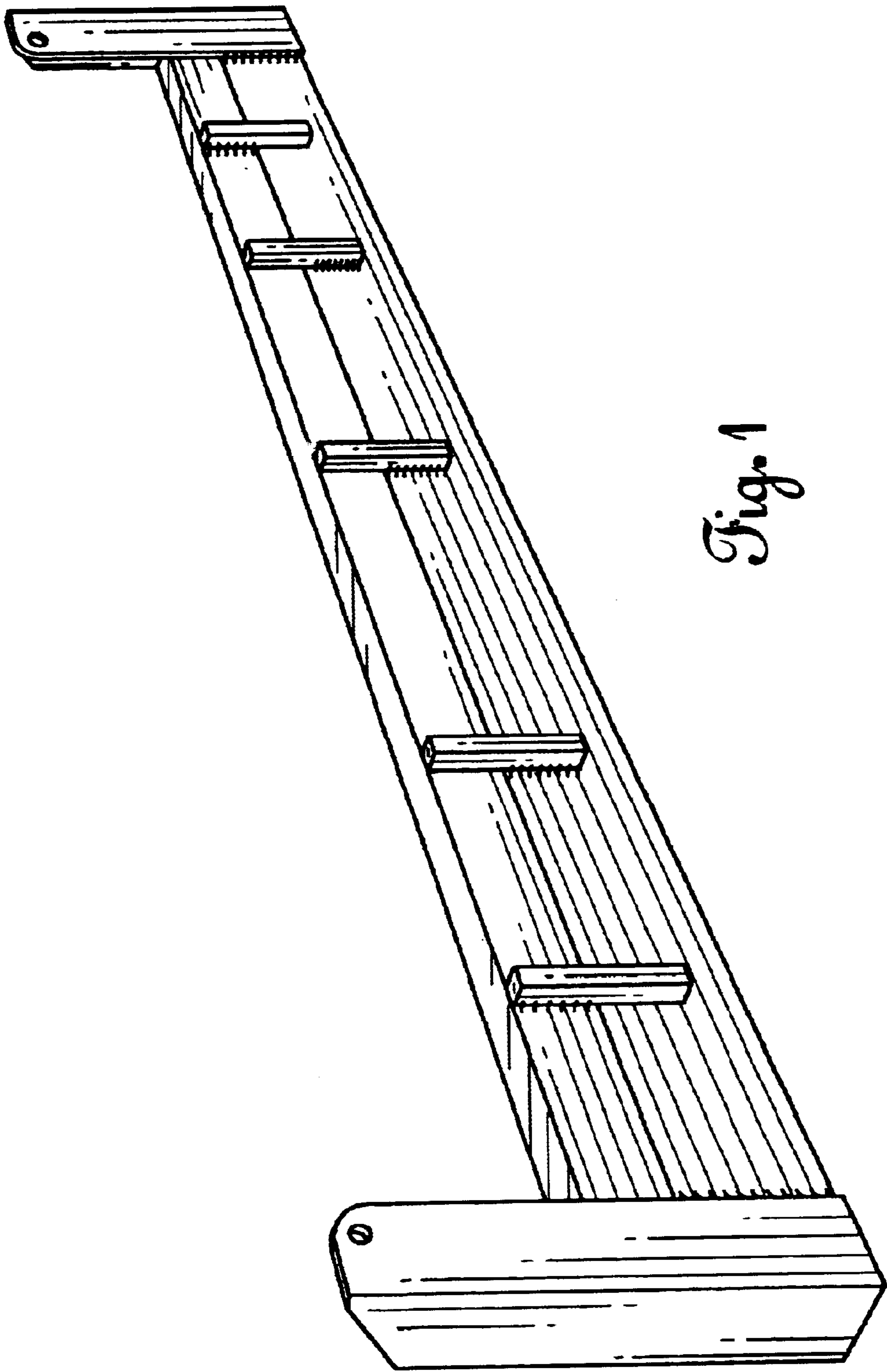
The ornamental design for a net wire fence stretcher, as shown and described.

**DESCRIPTION**

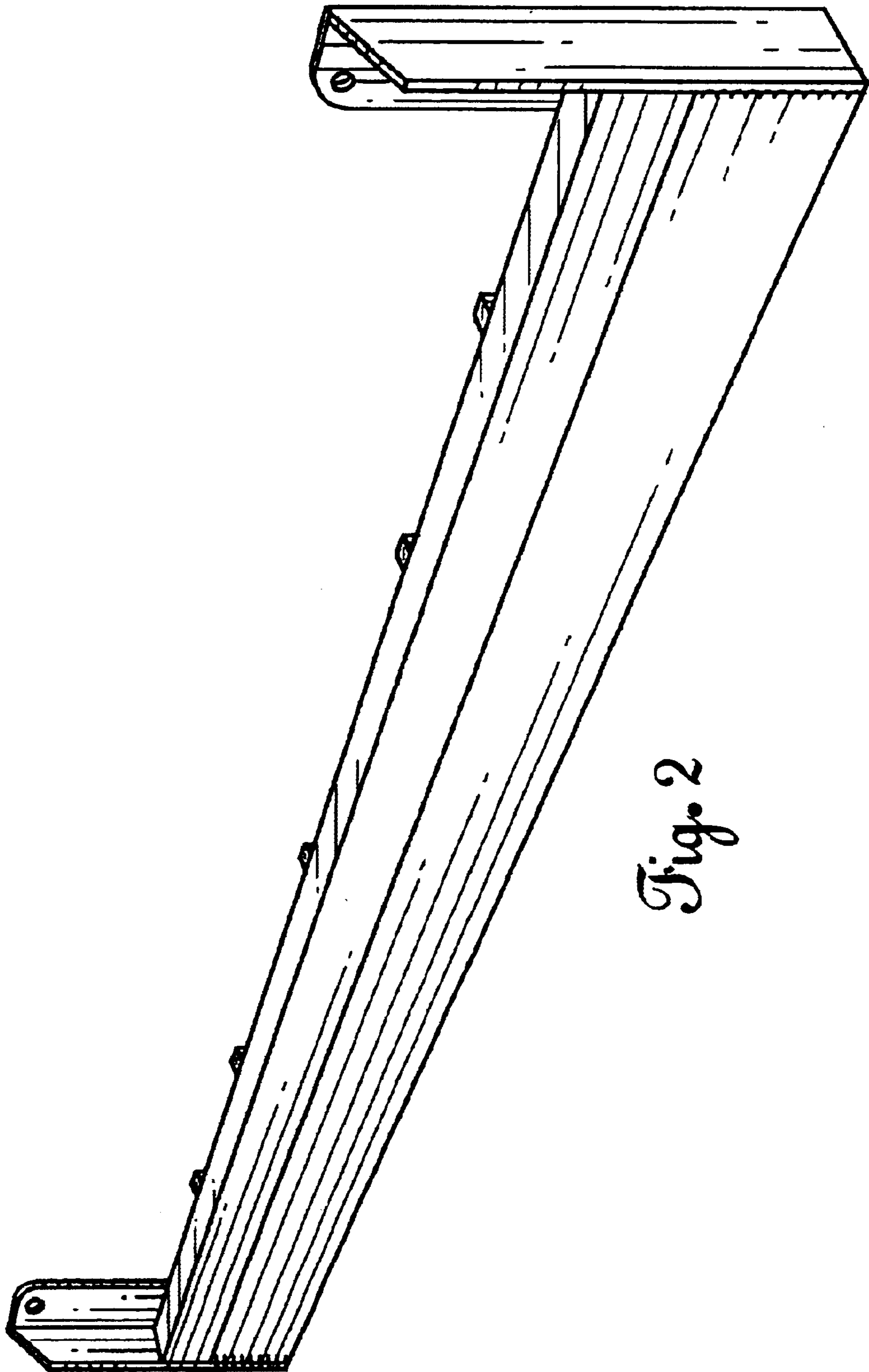
FIG. 1 is a front perspective view of a net wire fence stretcher, showing my new design;  
FIG. 2 is a rear perspective view thereof;  
FIG. 3 is a top plan view thereof;  
FIG. 4 is a front elevational view thereof;  
FIG. 5 is a right side elevational view thereof;  
FIG. 6 is a rear elevational view thereof;  
FIG. 7 is a left side elevational view thereof;  
FIG. 8 is a bottom plan view thereof; and,  
FIG. 9 is an exploded rear perspective view thereof.

**1 Claim, 5 Drawing Sheets**





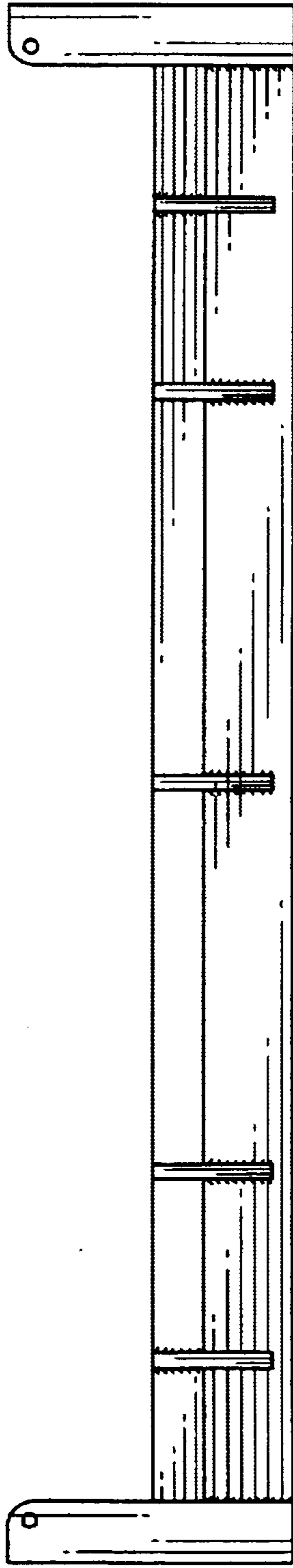
*Fig. 1*



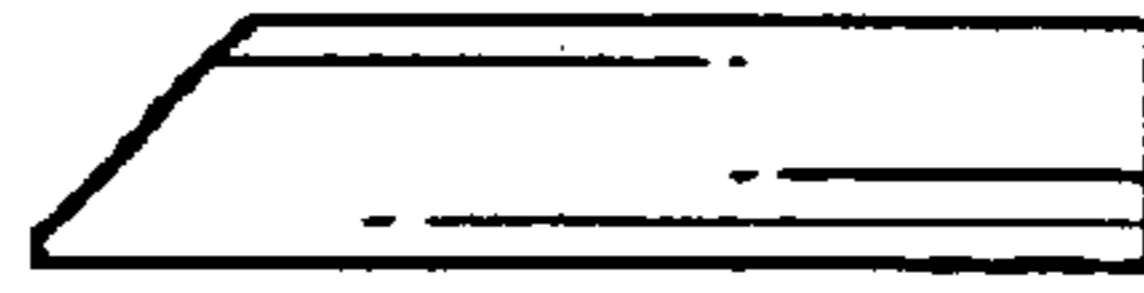
*Fig. 2*



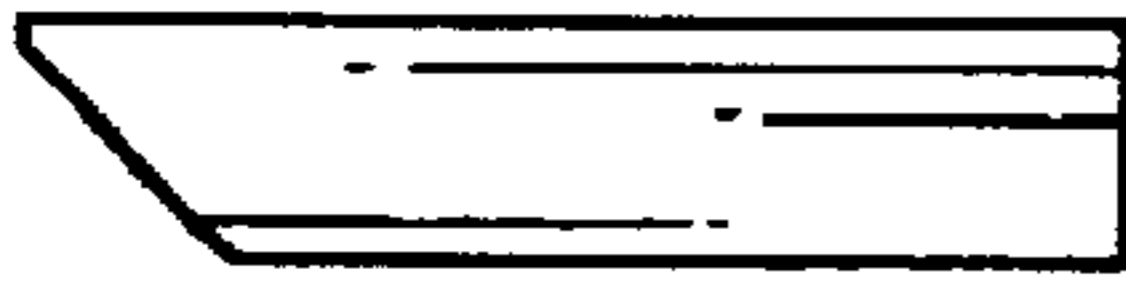
*Fig. 3*



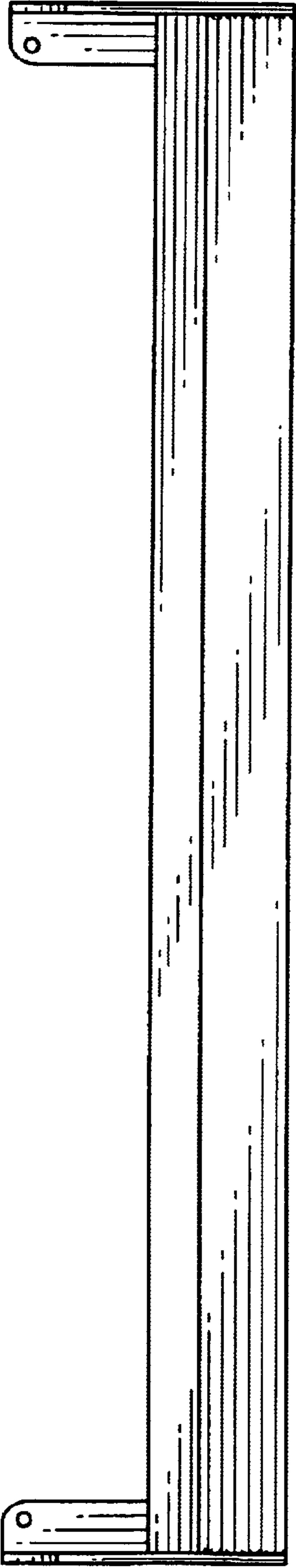
*Fig. 4*



*Fig. 5*



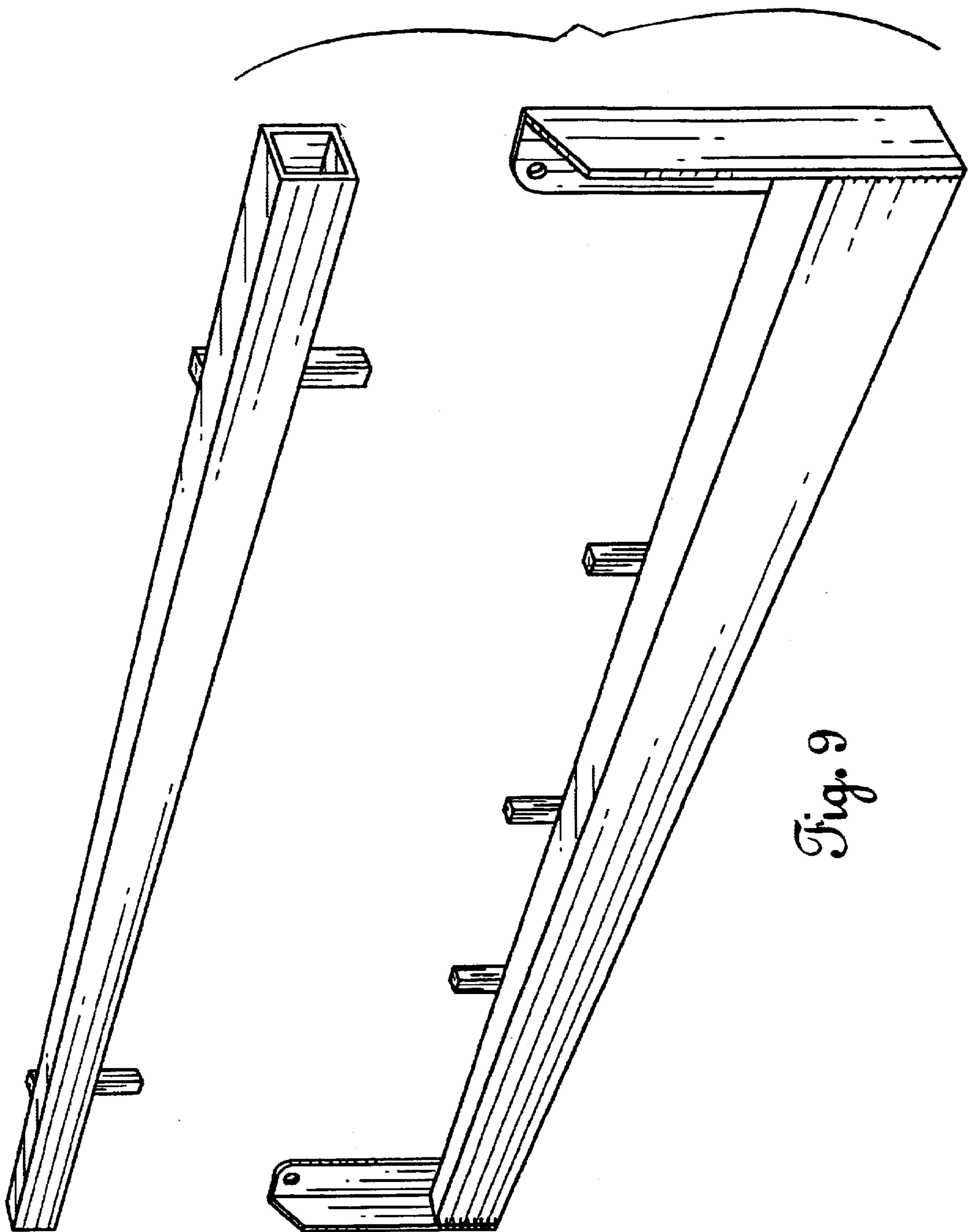
*Fig. 7*



*Fig. 6*



*Fig. 8*



*Fig. 9*