



US00D488037S

(12) **United States Design Patent**
Tuanmu

(10) **Patent No.:** **US D488,037 S**

(45) **Date of Patent:** **** Apr. 6, 2004**

(54) **RATCHET WRENCH**

(75) Inventor: **Tom Tuanmu**, Taichung (TW)

(73) Assignee: **Lea Way Hand Tool Corporation**,
Taichung (TW)

(**) Term: **14 Years**

(21) Appl. No.: **29/179,894**

(22) Filed: **Apr. 16, 2003**

(51) **LOC (7) Cl.** **08-05**

(52) **U.S. Cl.** **D8/25**

(58) **Field of Search** D8/21-29; 81/60-63.2,
81/177.1, 177.85, 177.8, 121.1, 124.3

(56) **References Cited**

U.S. PATENT DOCUMENTS

3,029,673	A	*	4/1962	Godsey	D8/28
D299,206	S	*	1/1989	Krapowicz et al.	D8/28
5,979,274	A	*	11/1999	Hsieh	81/125.1
6,134,990	A	*	10/2000	Ling et al.	81/63.2
D451,352	S	*	12/2001	Wright	D8/28
D477,756	S	*	7/2003	Lee et al.	D8/25
6,591,718	B1	*	7/2003	Chang	81/60

* cited by examiner

Primary Examiner—Raphael Barkai
(74) *Attorney, Agent, or Firm*—Ladas & Parry

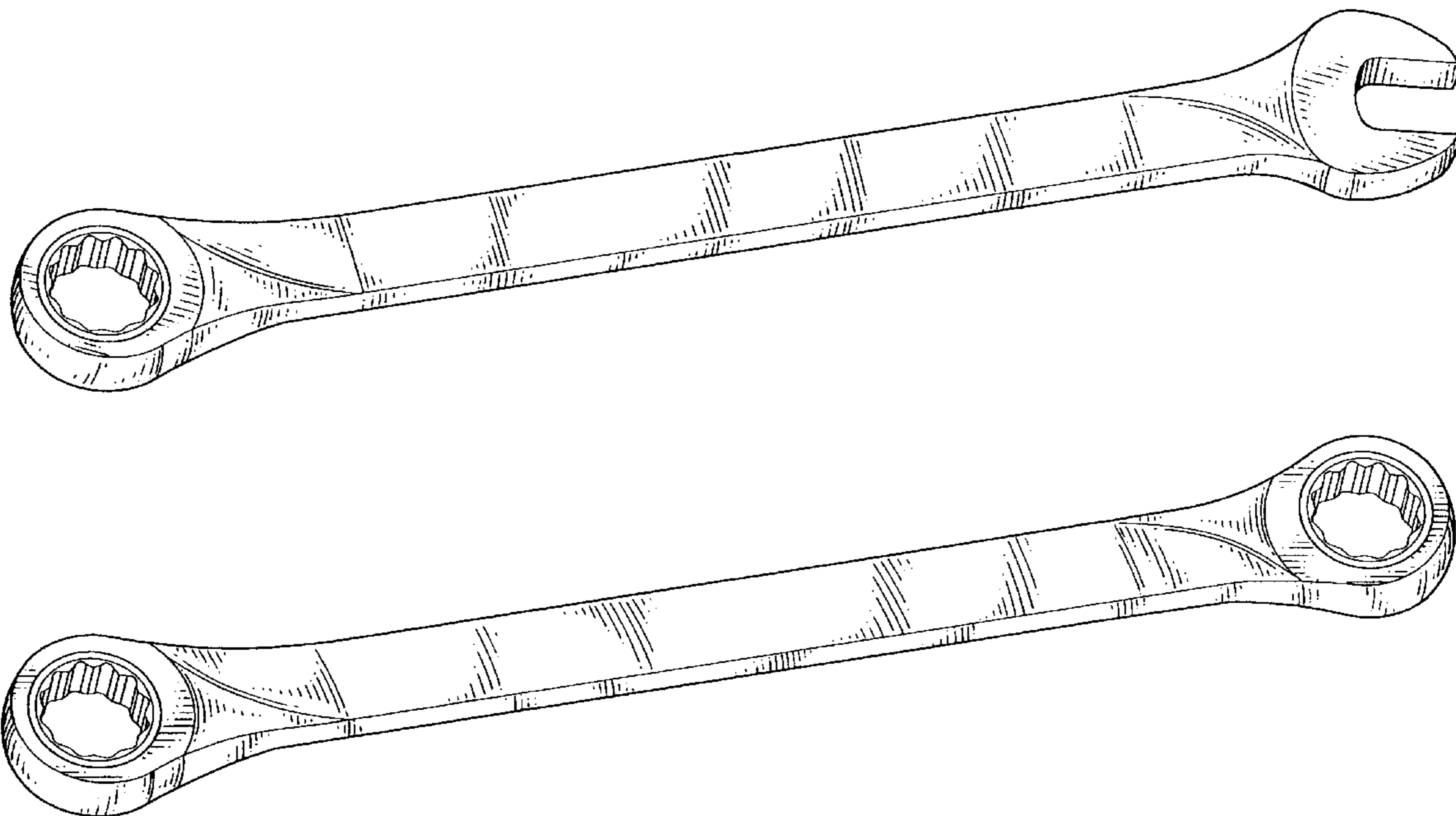
(57) **CLAIM**

The ornamental design for a ratchet wrench, as shown and described.

DESCRIPTION

FIG. 1 is a perspective view of a ratchet wrench of the subject design;
 FIG. 2 is a front elevational view thereof;
 FIG. 3 is a rear elevational view thereof;
 FIG. 4 is a top plan view thereof;
 FIG. 5 is a bottom plan view thereof;
 FIG. 6 is a left side elevational view thereof;
 FIG. 7 is a right side elevational view thereof;
 FIG. 8 is a perspective view of a second embodiment of the subject design;
 FIG. 9 is a front elevational view of FIG. 8, the rear elevational view thereof being a mirror image of the front elevational view;
 FIG. 10 is a left side elevational view of FIG. 8, the right side elevational view thereof being a mirror image of the left side elevational view;
 FIG. 11 is a top plan view of FIG. 8; and,
 FIG. 12 is a bottom plan view of FIG. 8.

1 Claim, 6 Drawing Sheets



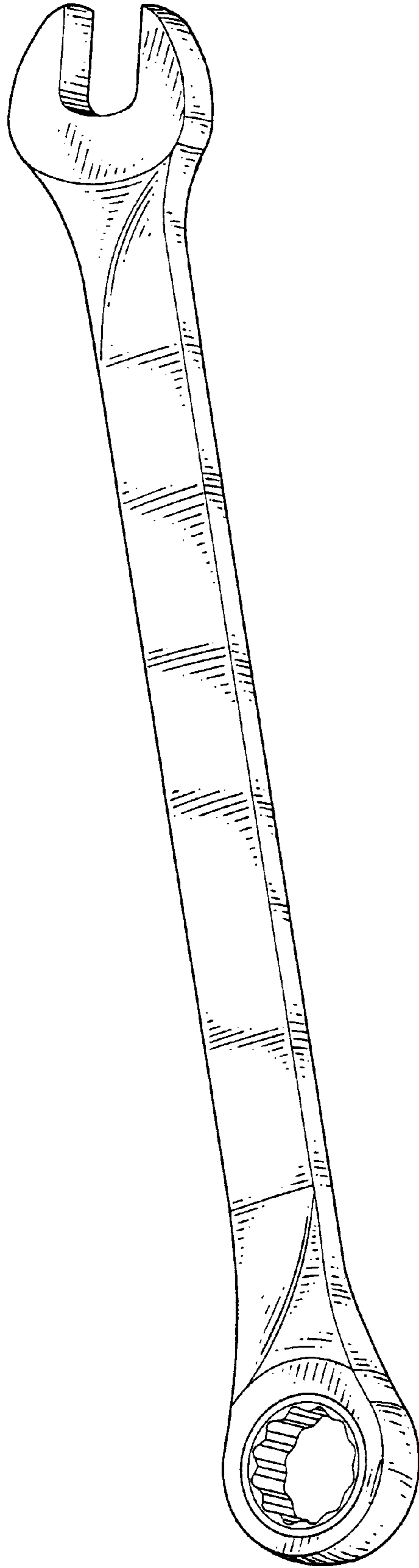


FIG.1

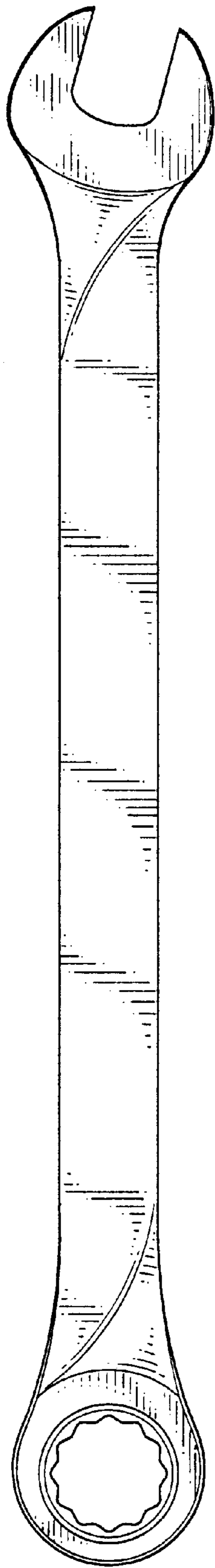


FIG. 2

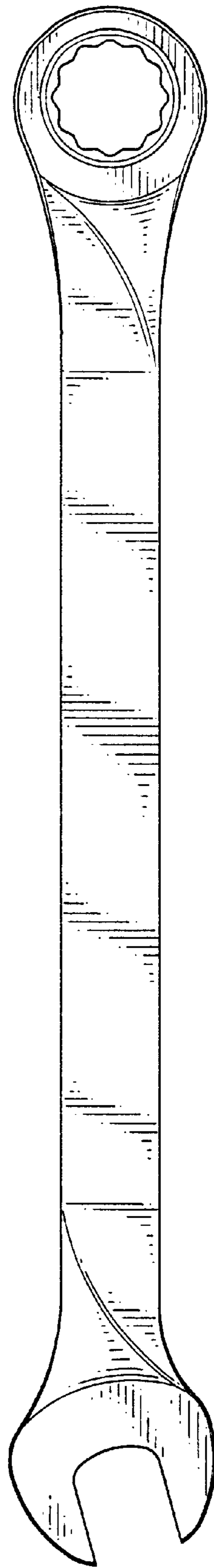


FIG. 3

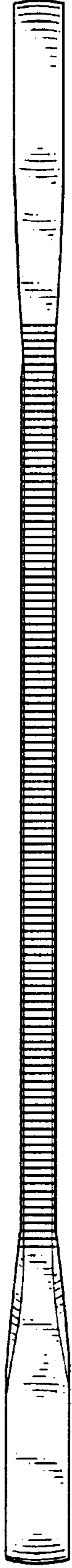


FIG. 4

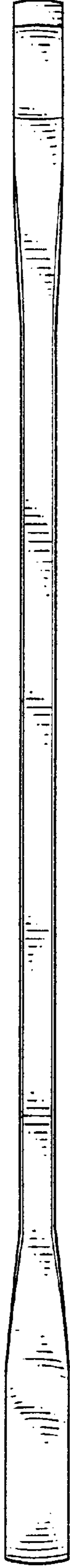


FIG. 5

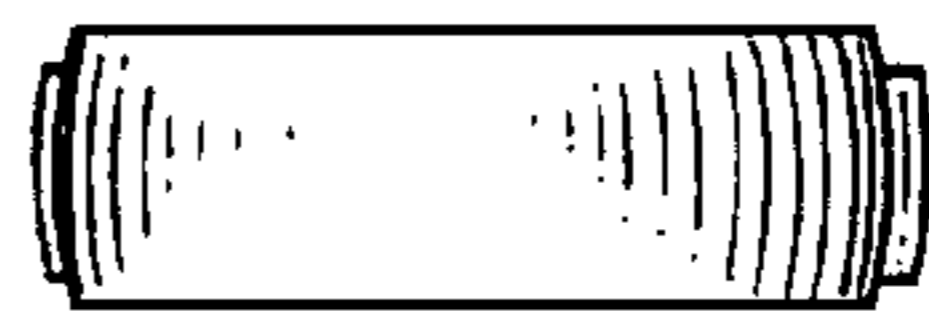


FIG. 6



FIG. 7

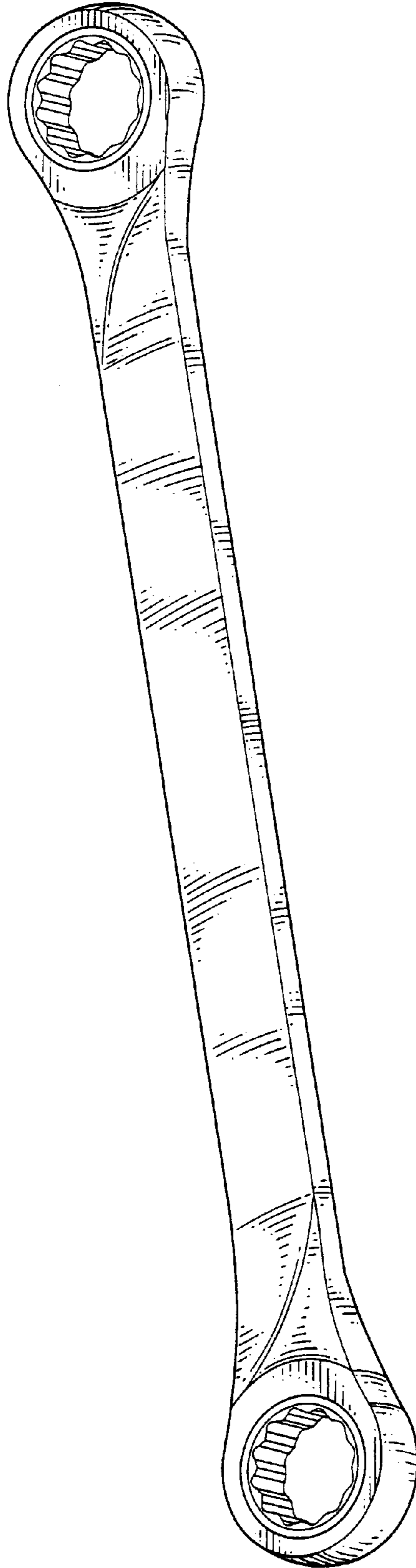


FIG. 8

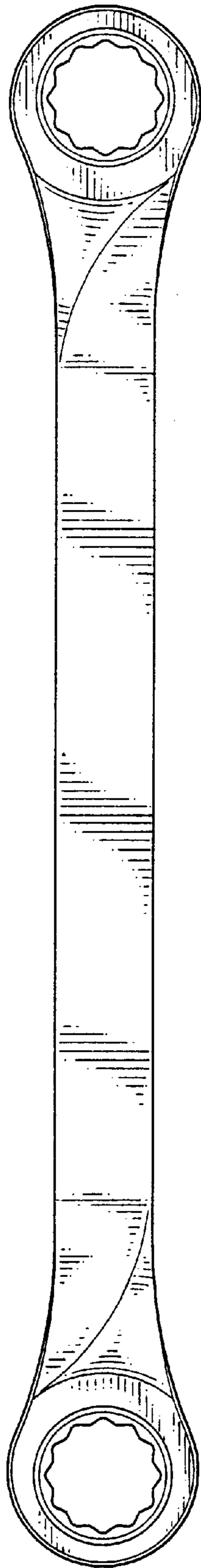


FIG. 9



FIG. 10

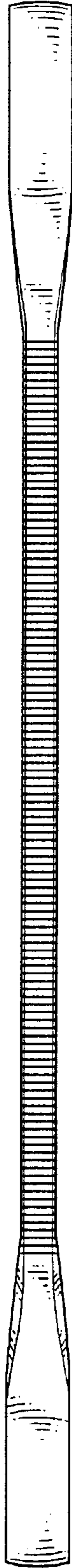


FIG. 11

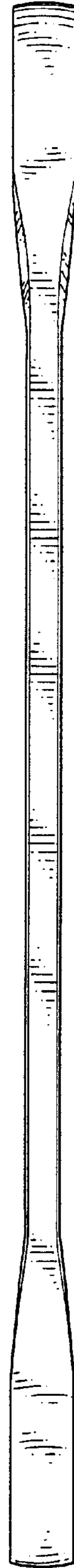


FIG. 12