



US00D488036S

(12) **United States Design Patent**  
**Dimeo**

(10) **Patent No.:** **US D488,036 S**

(45) **Date of Patent:** **\*\* Apr. 6, 2004**

(54) **LINK FOR BEVERAGE CONTAINER**

(76) **Inventor:** **M. Philippe Dimeo**, 58, rue Charlot,  
Paris (FR), 75003

(\*\*) **Term:** **14 Years**

(21) **Appl. No.:** **29/157,539**

(22) **Filed:** **Mar. 22, 2002**

(30) **Foreign Application Priority Data**

Dec. 14, 2001 (WO) ..... DM/058 323

(51) **LOC (7) Cl.** ..... **07-01**

(52) **U.S. Cl.** ..... **D7/708; D9/455**

(58) **Field of Search** ..... D7/701-708; D9/434,  
D9/455, 499; 206/143, 145, 147, 148, 150,  
162; 215/395, 396, 399; 220/751-759;  
224/148.4, 148.7, 257; 294/31.2, 87.2, 87.28,  
159, 165

(56) **References Cited**

**U.S. PATENT DOCUMENTS**

1,377,931 A \* 5/1921 Samuels ..... 294/87.22  
D115,619 S \* 7/1939 Goodwin ..... D7/704

D154,468 S \* 7/1949 Foulke ..... D7/701  
2,754,962 A \* 7/1956 Scrymgeour ..... 206/162  
3,708,544 A \* 1/1973 Oltmanns ..... 215/396 X  
D277,554 S \* 2/1985 Chabot ..... D9/434  
4,678,221 A \* 7/1987 Josenhans ..... 294/31.2 X  
D348,002 S \* 6/1994 Jones ..... D9/455  
D349,459 S \* 8/1994 Borg ..... D9/455  
D360,362 S \* 7/1995 Strong ..... D9/455  
5,890,635 A \* 4/1999 Wu et al. .... 215/395  
D431,971 S \* 10/2000 Hatton ..... D7/619

\* cited by examiner

*Primary Examiner*—Terry A. Wallace

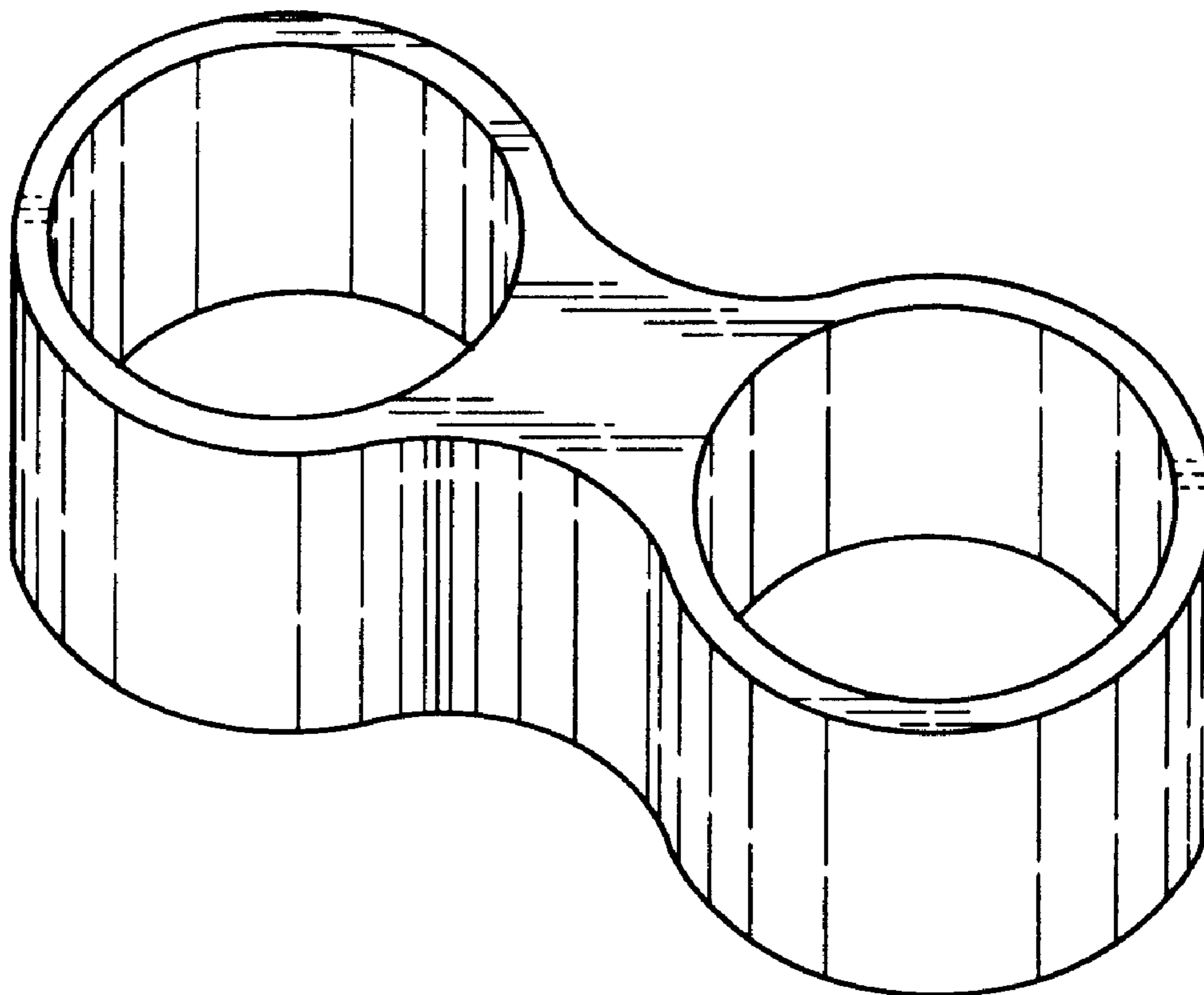
(57) **CLAIM**

The ornamental design for a link for beverage container, as shown.

**DESCRIPTION**

FIG. 1 is a perspective view of a link showing my new design.  
FIG. 2 is an end elevational view thereof.  
FIG. 3 is a side elevational view thereof; and,  
FIG. 4 is a top plan view thereof, the bottom plan view being the same.

**1 Claim, 2 Drawing Sheets**



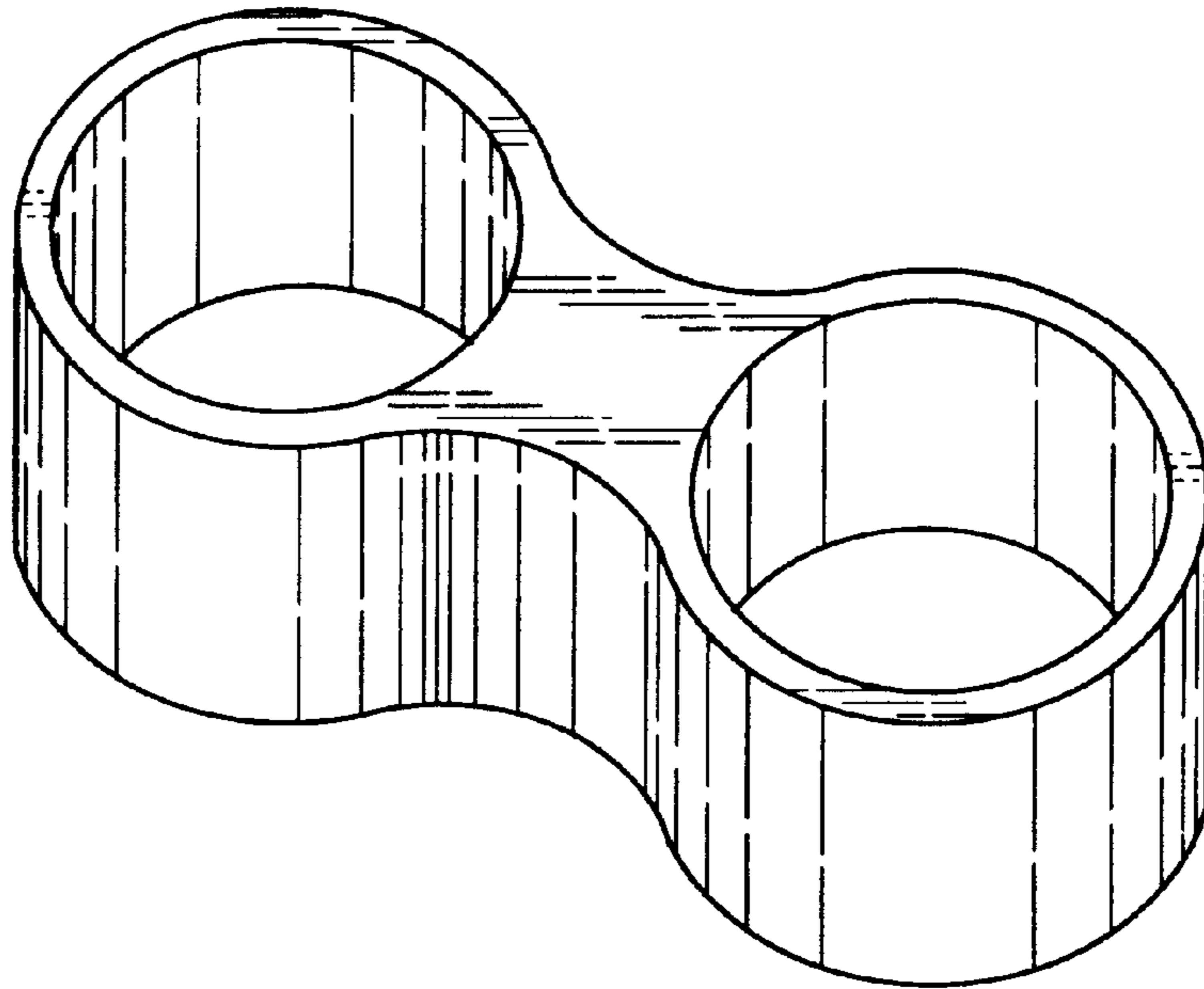


FIG. 1

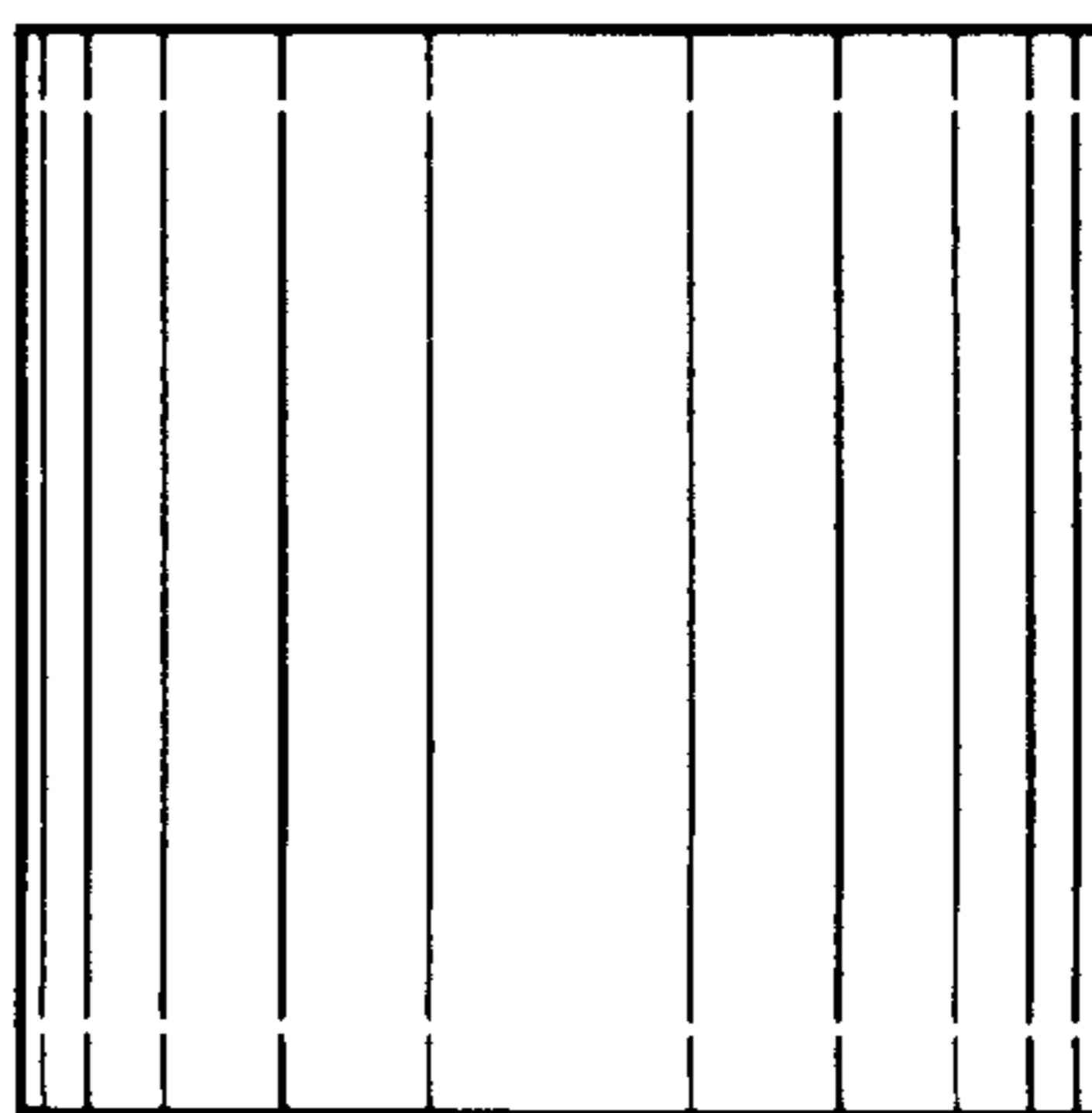


FIG. 2

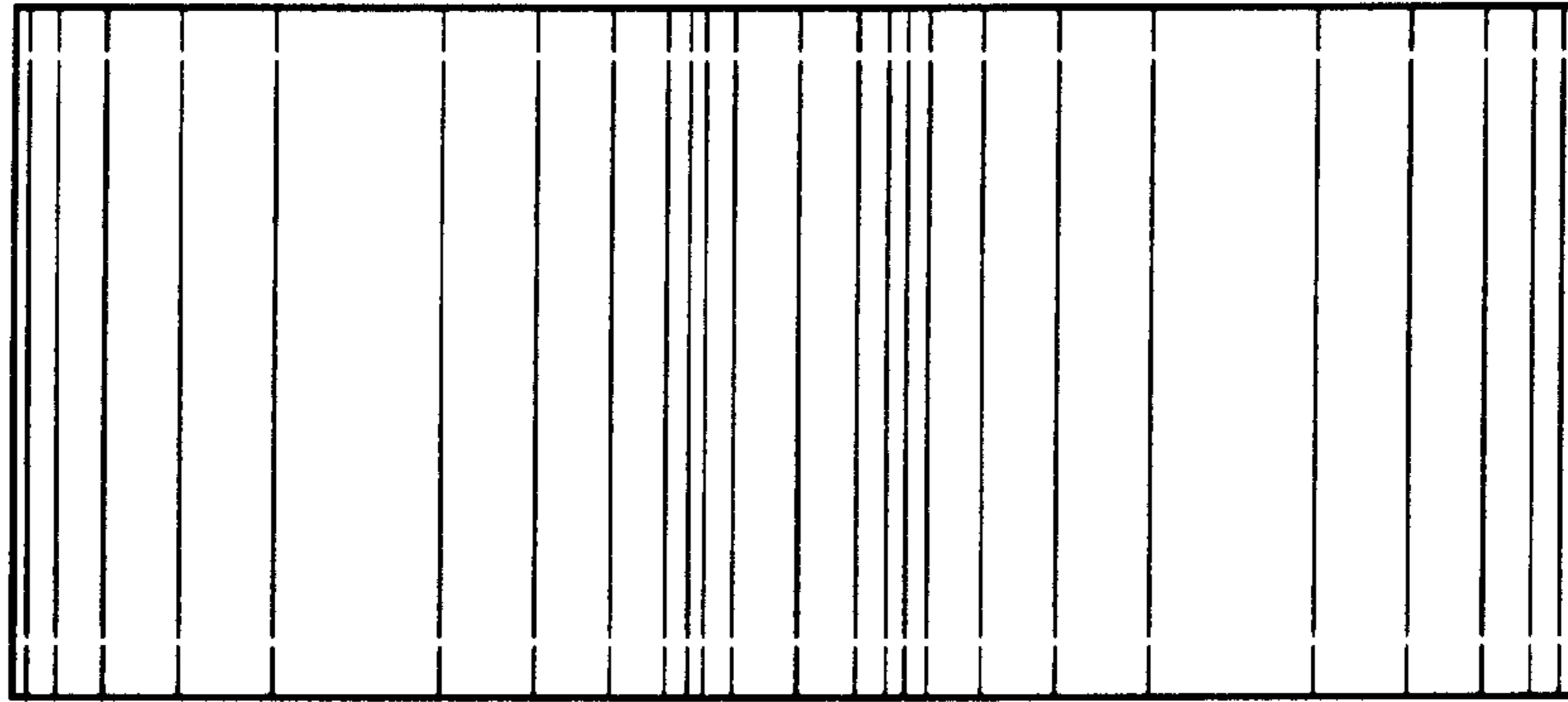


FIG. 3

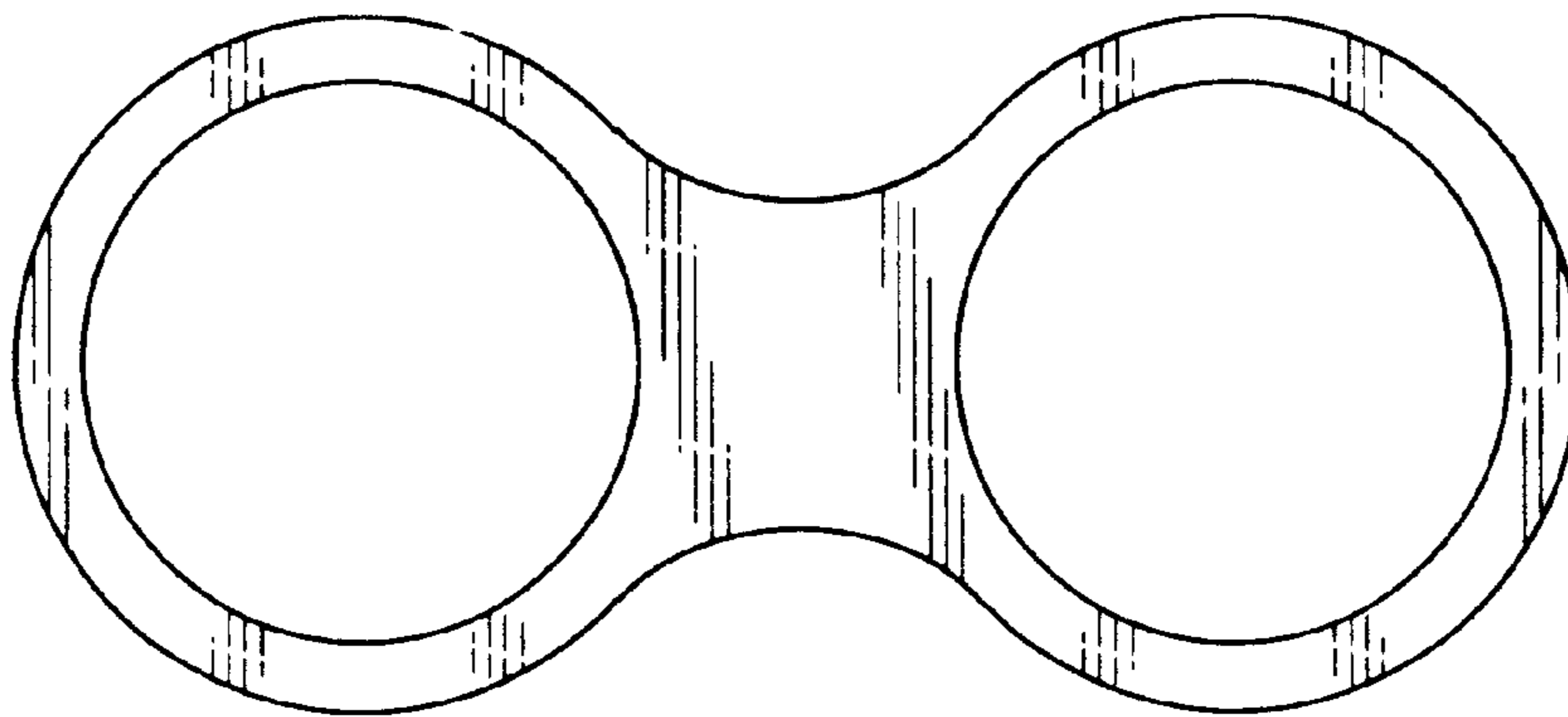


FIG. 4