



US00D488024S

(12) **United States Design Patent**  
**Li**

(10) **Patent No.:** **US D488,024 S**

(45) **Date of Patent:** **\*\* Apr. 6, 2004**

(54) **COFFEE BEAN GRINDER**

D437,523 S \* 2/2001 Glucksman et al. .... D7/373

(76) Inventor: **Yuan-Hong Li**, 235 Chung-Ho Box  
8-24, Taipei (TW)

\* cited by examiner

*Primary Examiner*—Catherine R. Oliver

(\*\*) Term: **14 Years**

(57) **CLAIM**

(21) Appl. No.: **29/163,649**

The ornamental design for a coffee bean grinder, as shown and described.

(22) Filed: **Jul. 11, 2002**

(51) **LOC (7) Cl.** ..... **31-00**

(52) **U.S. Cl.** ..... **D7/373**

(58) **Field of Search** ..... D7/372, 373, 374,  
D7/384, 309–310; 241/100, 249; 99/304,  
306, 286, 586; 248/312.1

**DESCRIPTION**

FIG. 1 is a front view of a coffee bean grinder showing my new design;

FIG. 2 is a rear side view thereof;

FIG. 3 is a left side view thereof;

FIG. 4 is a right view thereof;

FIG. 5 is a top view thereof;

FIG. 6 is a bottom view thereof; and,

FIG. 7 is a perspective view thereof.

(56) **References Cited**

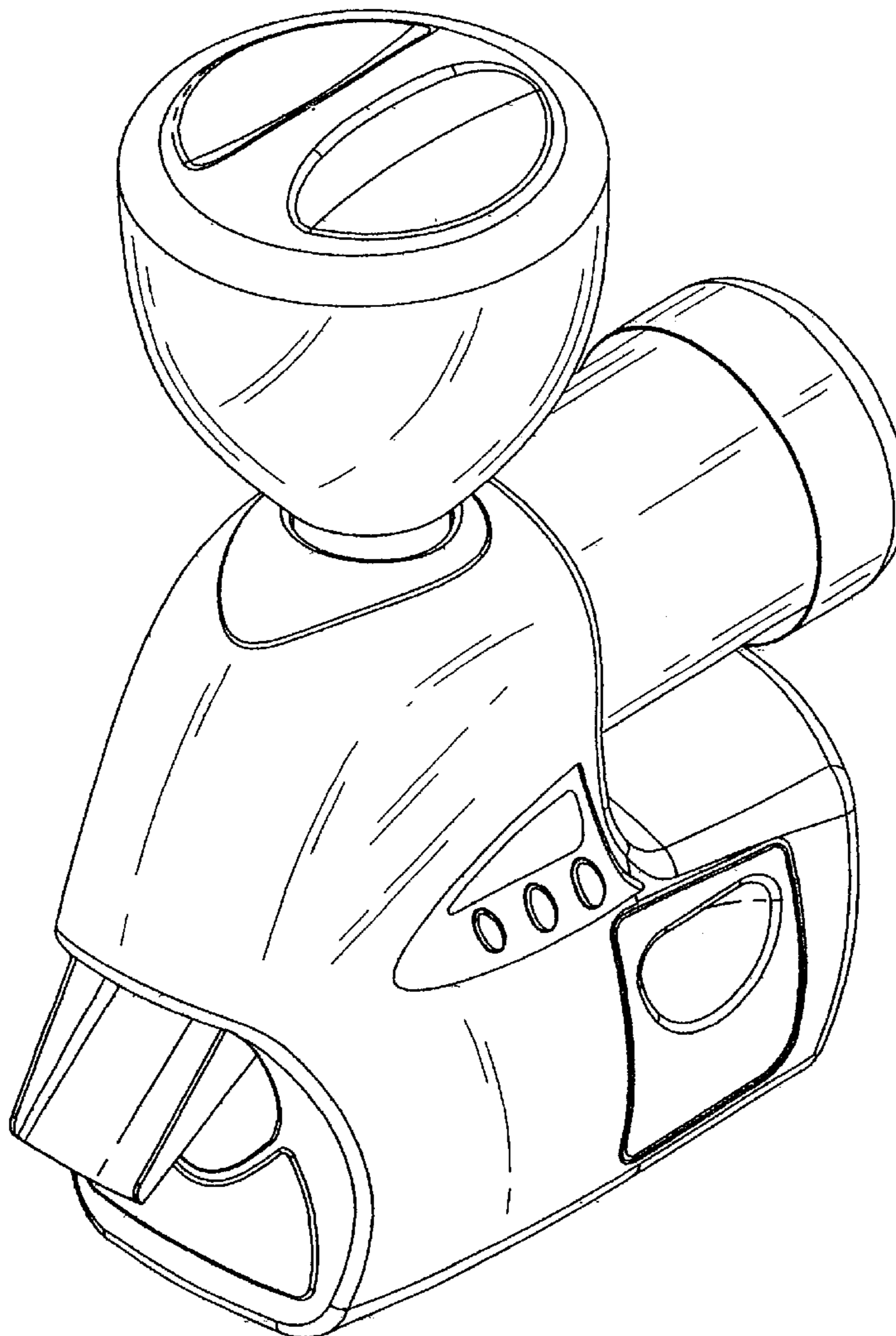
**U.S. PATENT DOCUMENTS**

D353,075 S \* 12/1994 Littmann et al. .... D7/373

D389,010 S \* 1/1998 Joergensen ..... D7/373

D423,870 S \* 5/2000 Pinney ..... D7/373

**1 Claim, 7 Drawing Sheets**



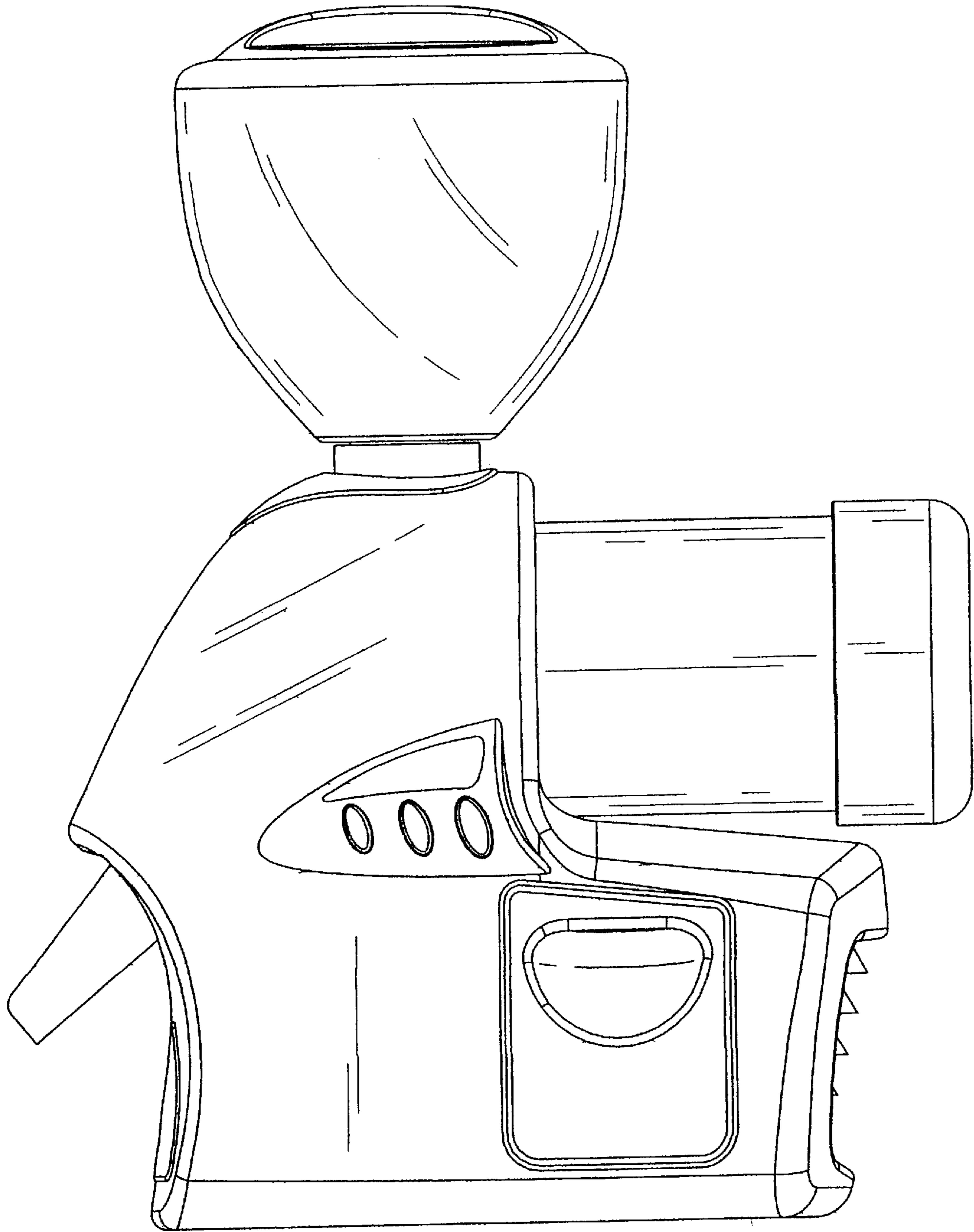


FIG. 1

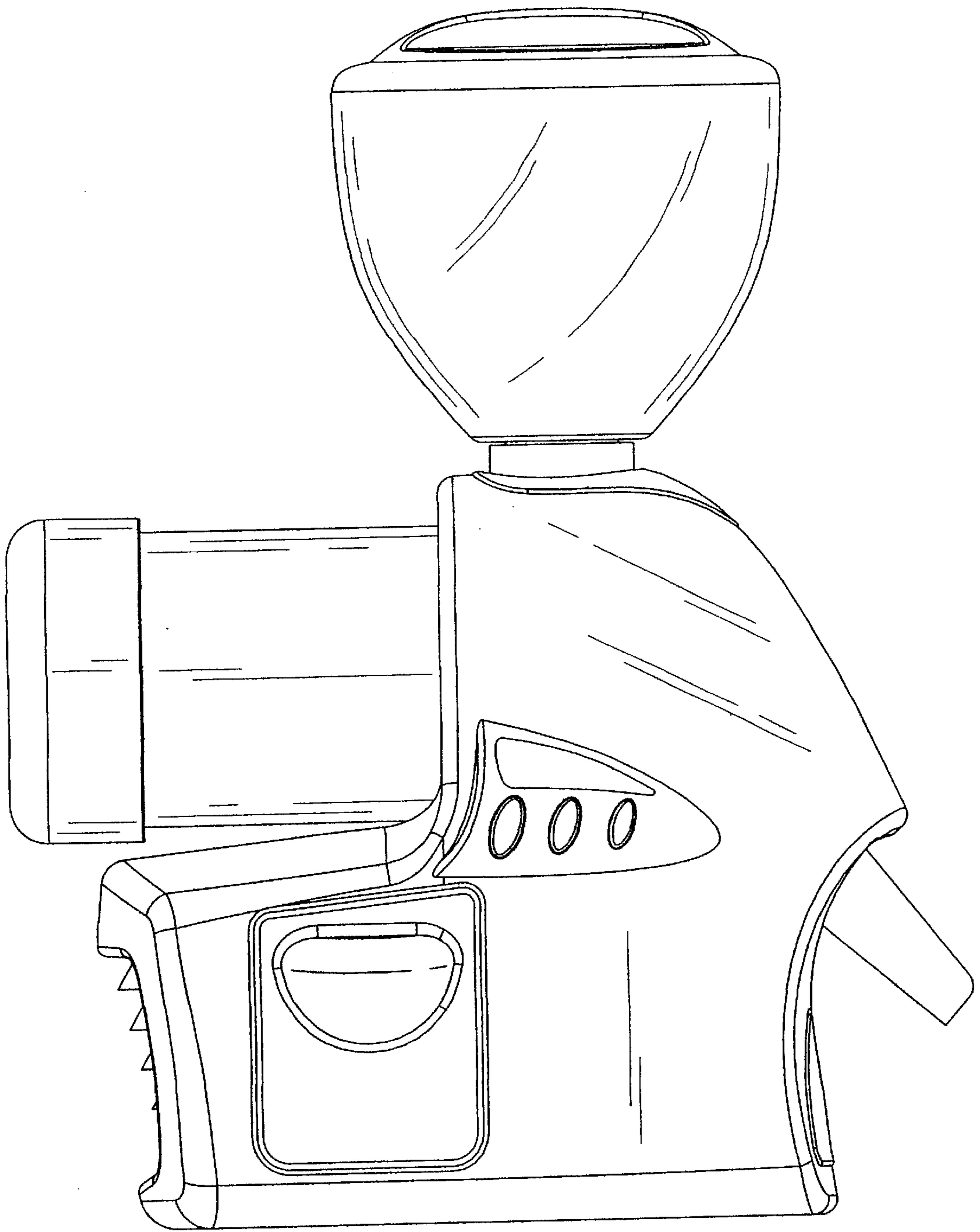


FIG. 2

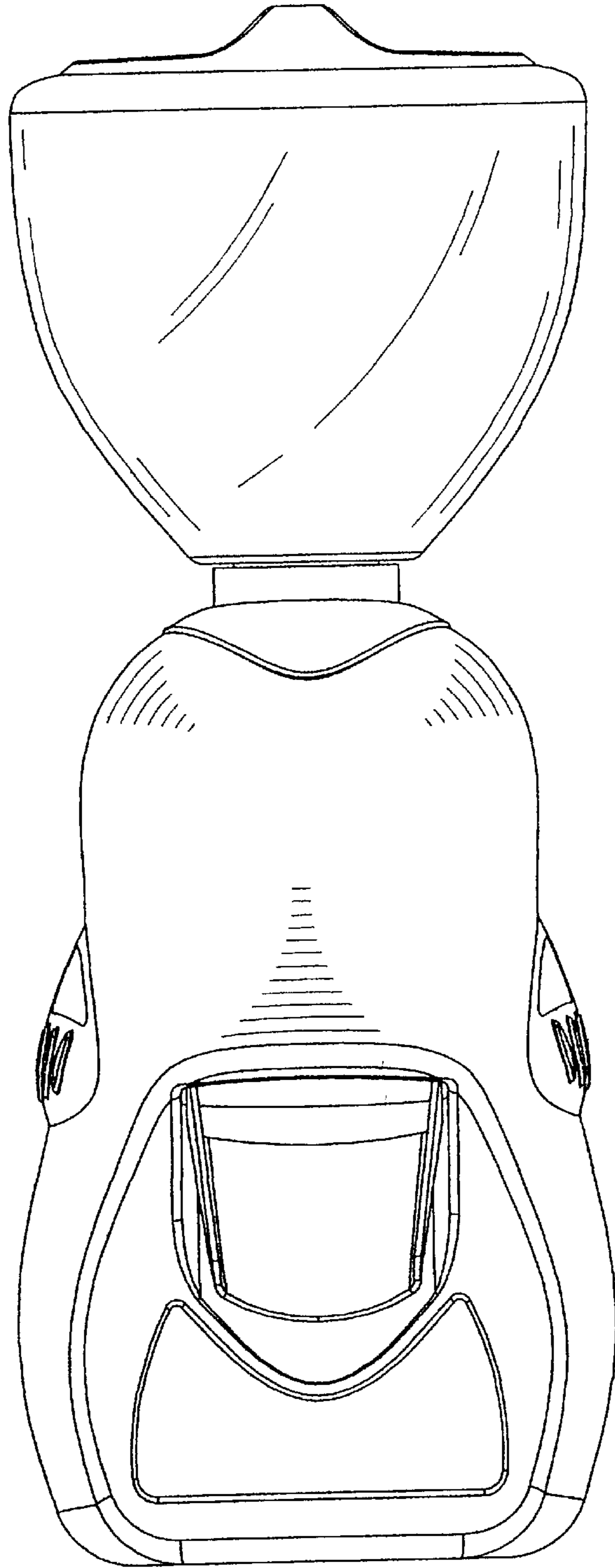


FIG. 3

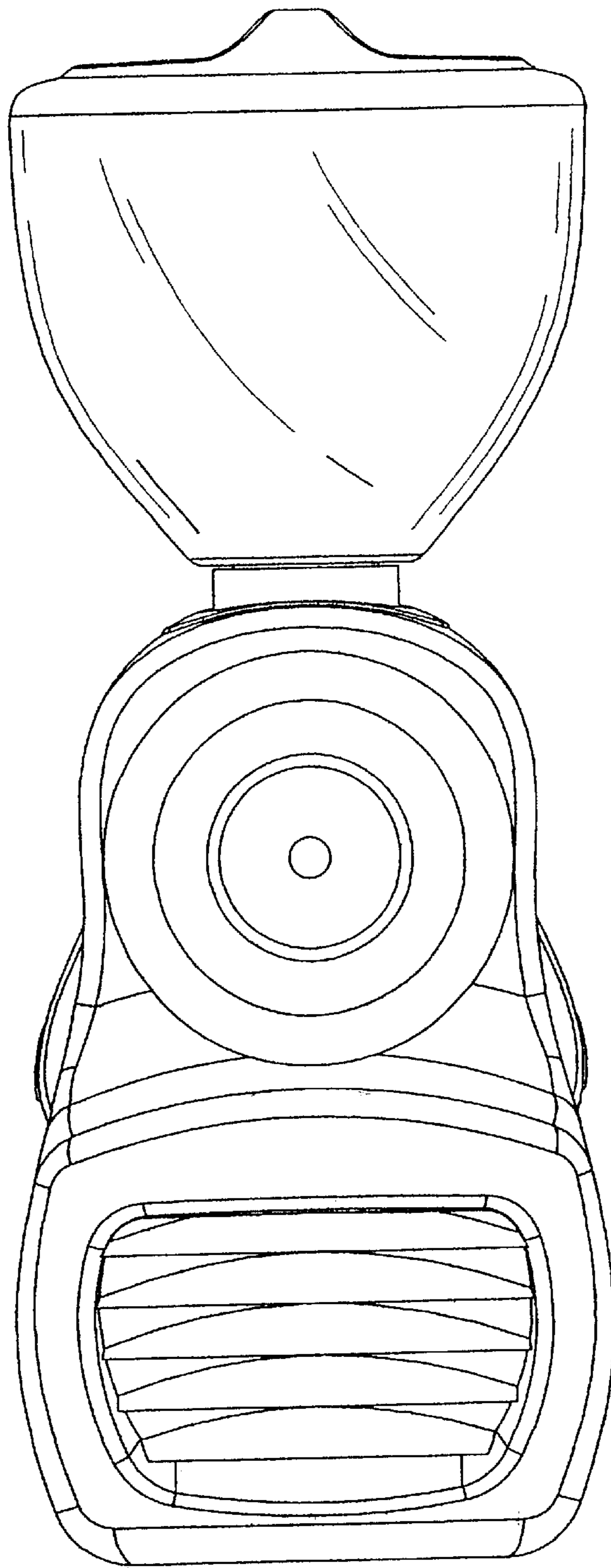


FIG. 4

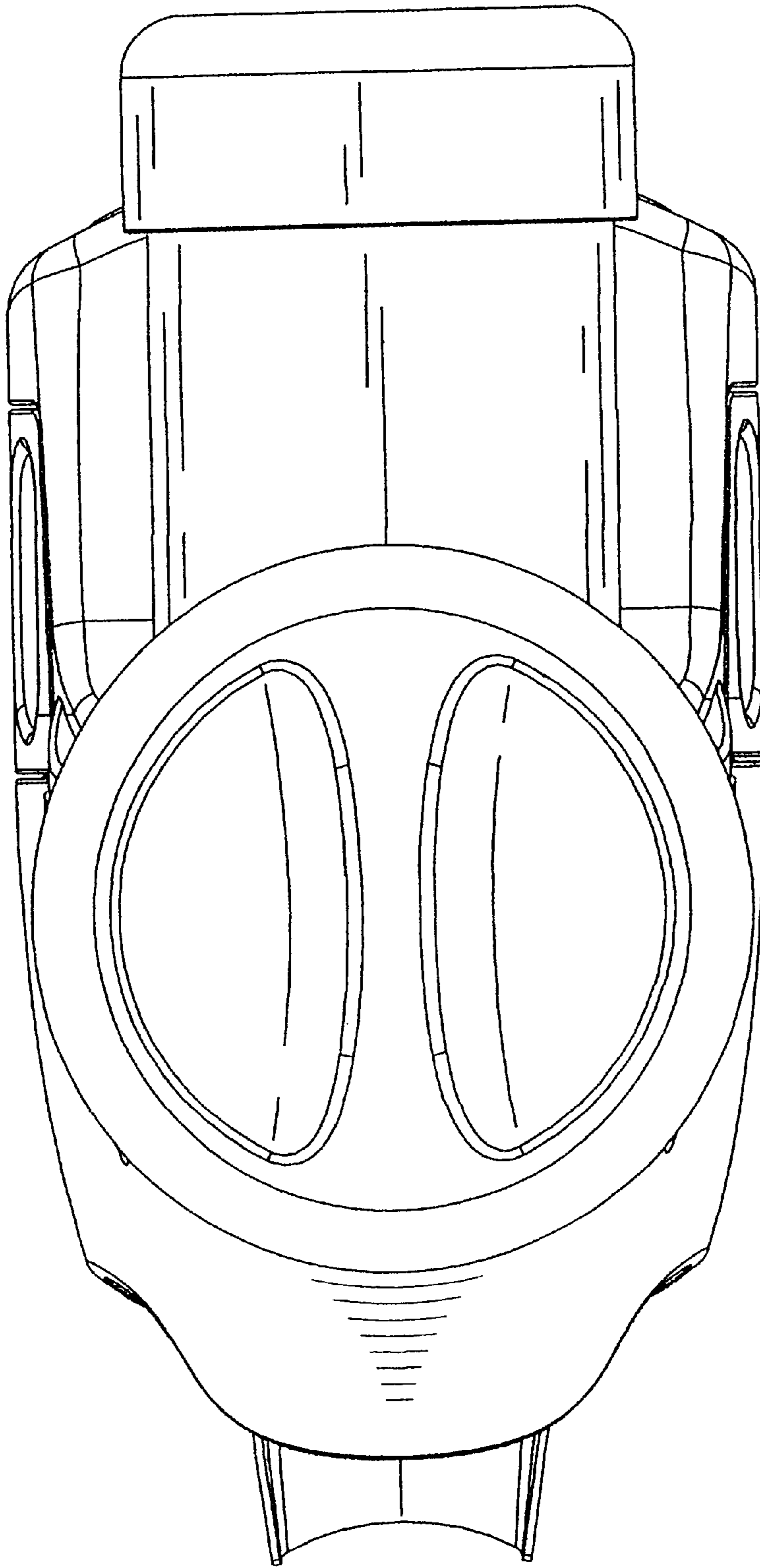


FIG. 5

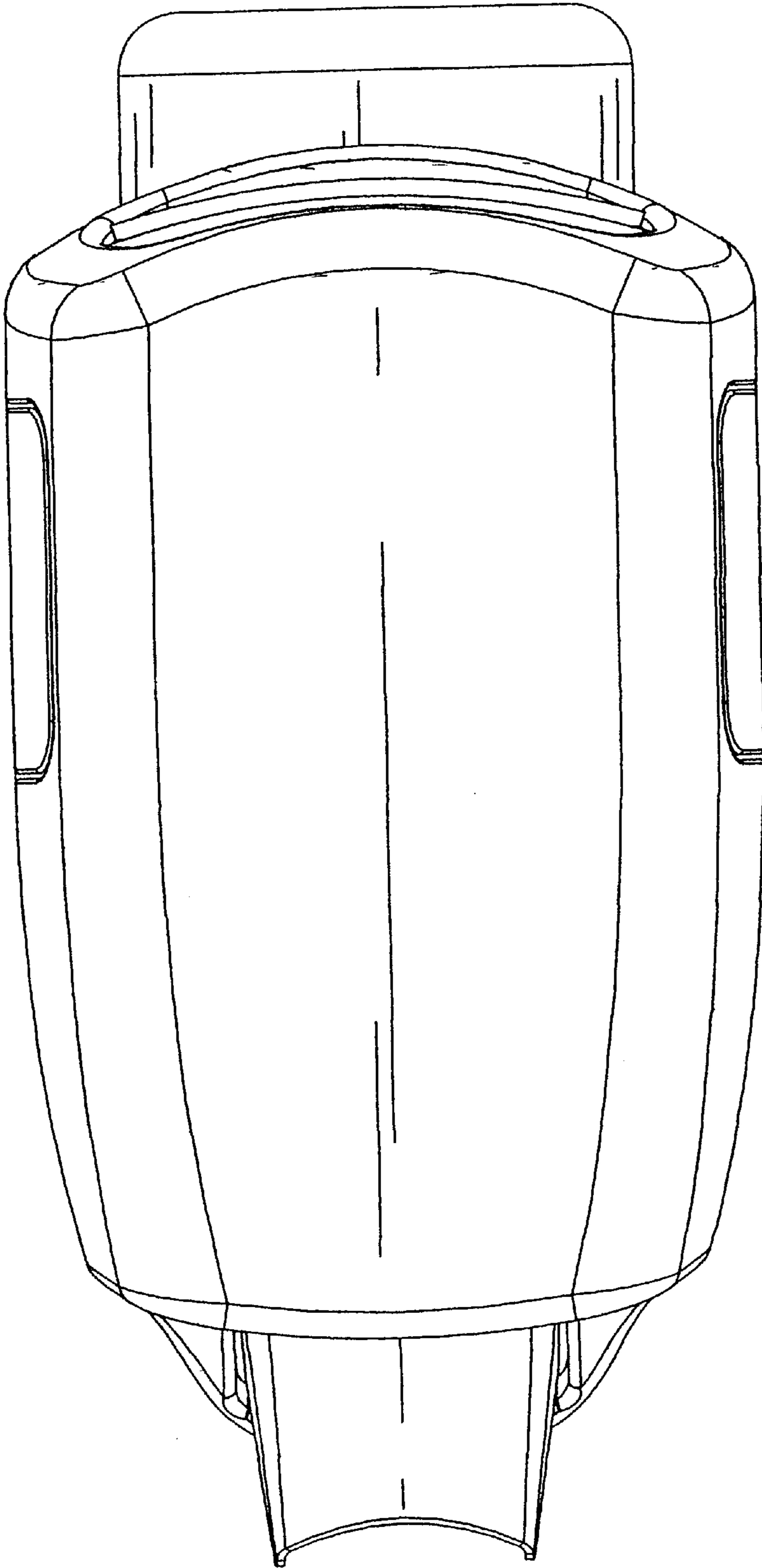


FIG. 6

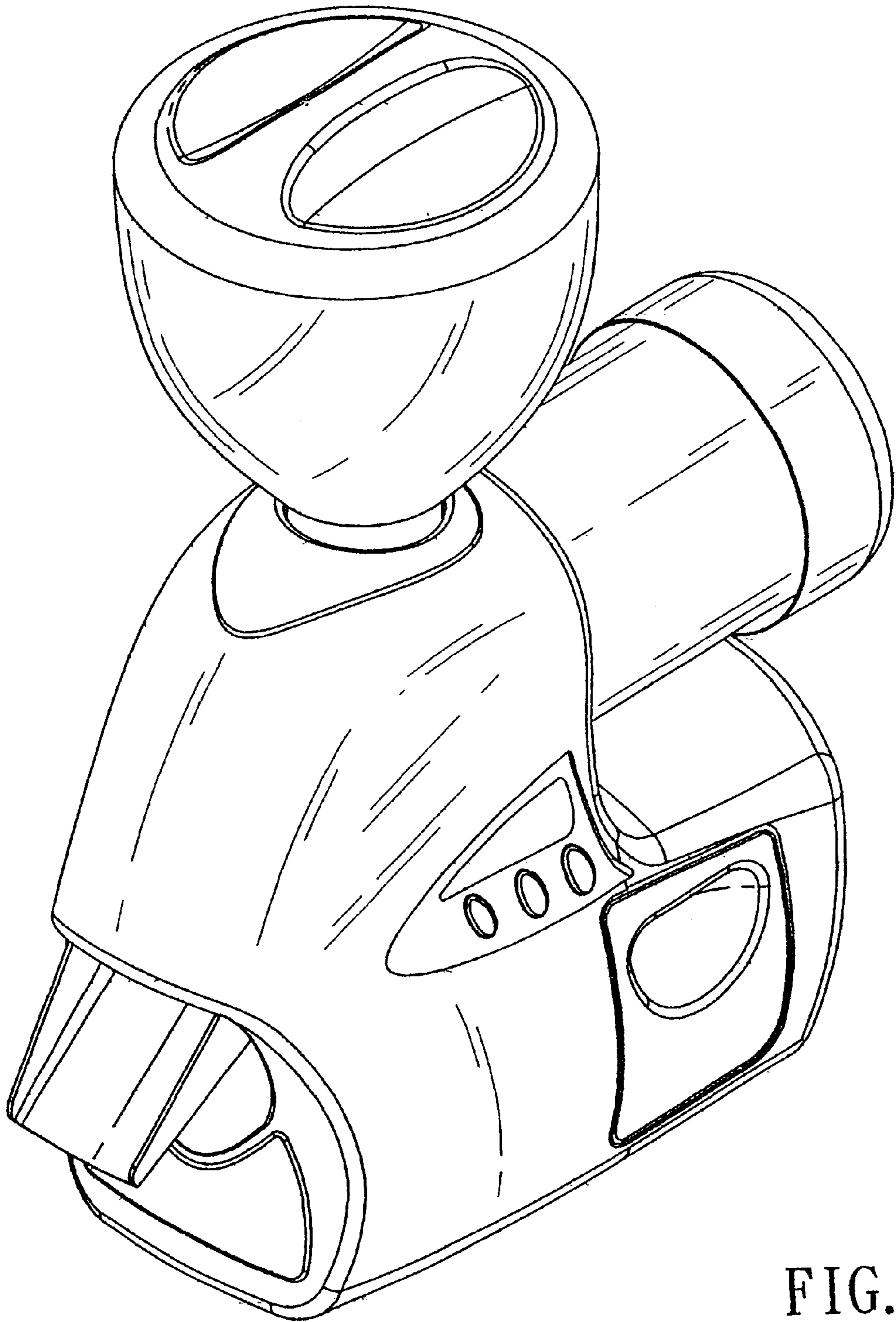


FIG. 7