



US00D488022S

(12) **United States Design Patent**
Chan et al.

(10) **Patent No.:** **US D488,022 S**
(45) **Date of Patent:** **** Apr. 6, 2004**

(54) **BARBEQUE GRILL**

(76) Inventors: **Neil Chan**, 10F. No. 111, Sec. 4,
San-Ho Rd., San-Chung City, Taipei
(TW); **Ader Chen**, 10F. No. 111, Sec.
4, San-Ho Rd., San-Chung City, Taipei
(TW)

(**) Term: **14 Years**

(21) Appl. No.: **29/173,911**

(22) Filed: **Jan. 8, 2003**

Related U.S. Application Data

(63) Continuation-in-part of application No. 29/151,663, filed on
Dec. 5, 2001, now abandoned.

(51) **LOC (7) Cl.** **07-02**

(52) **U.S. Cl.** **D7/334**

(58) **Field of Search** D7/323, 332-337,
D7/354, 402-404; 126/25 R, 25 A, 25 AA,
38, 37 A, 41 R, 40; 99/450, 481-482

(56) **References Cited**

U.S. PATENT DOCUMENTS

4,635,613 A * 1/1987 Tucker et al. 126/25 R
5,076,252 A * 12/1991 Schlosser et al. 126/25 R

D327,390 S * 6/1992 Schlosser et al. D7/334
D358,059 S * 5/1995 Peterson et al. D7/334
D361,466 S * 8/1995 Peterson et al. D7/334
D381,240 S * 7/1997 Home D7/334
D423,274 S * 4/2000 Coleman et al. D7/334
D426,741 S * 6/2000 Pai D7/334
D455,039 S * 4/2002 Pai D7/334
D459,142 S * 6/2002 Wu D7/334
D459,938 S * 7/2002 Pai D7/334

* cited by examiner

Primary Examiner—Ruth McInroy

(74) *Attorney, Agent, or Firm*—Chan Law Group LC

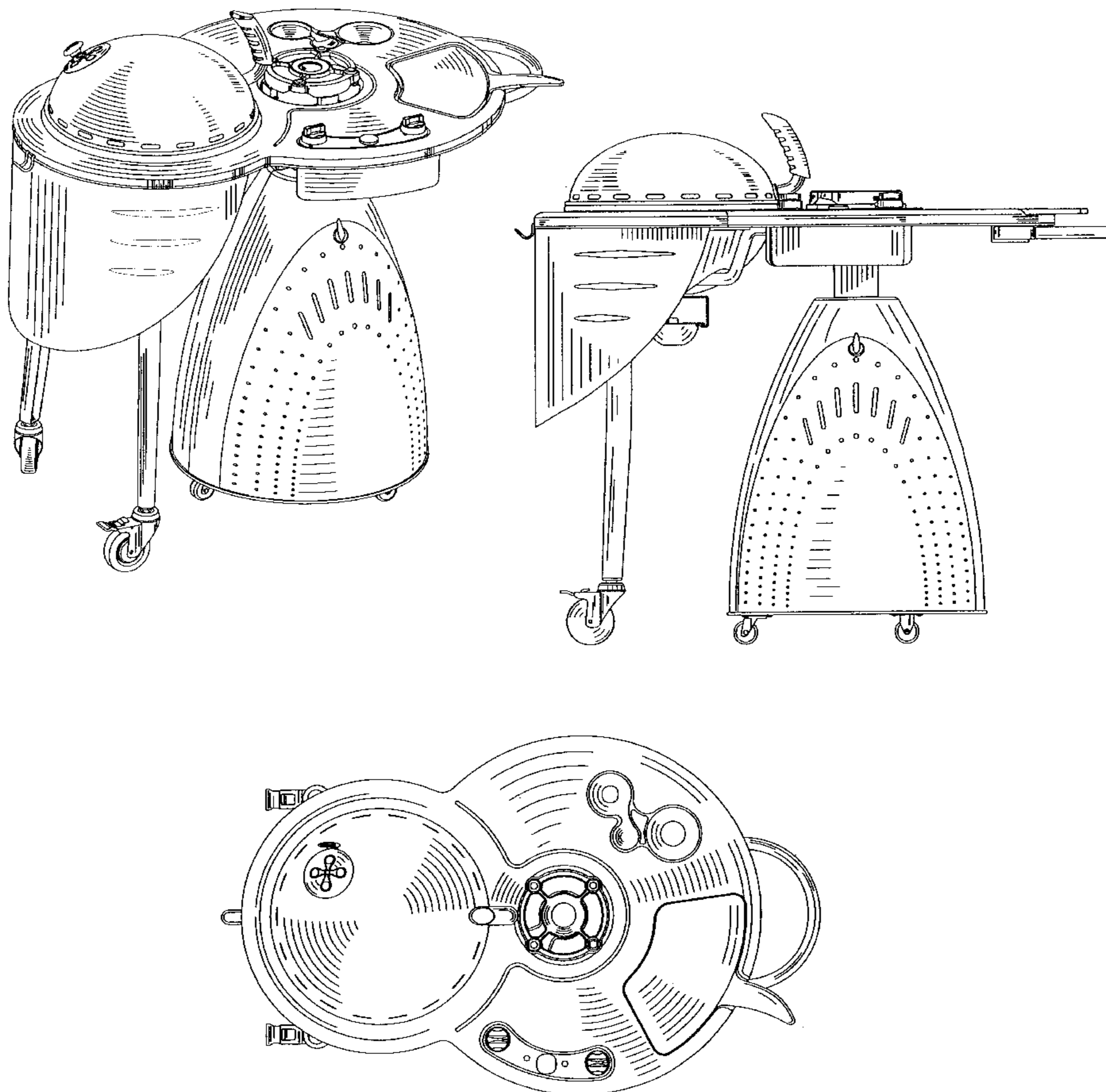
(57) **CLAIM**

The ornamental design for a barbeque grill, as shown and
described.

DESCRIPTION

FIG. 1 is an orthogonal view of a barbeque grill showing our
new design;
FIG. 2 is a left side elevation view thereof;
FIG. 3 is a front elevation view thereof;
FIG. 4 is a back elevation view thereof;
FIG. 5 is a right side elevation view thereof; and,
FIG. 6 is a top plan view thereof.

1 Claim, 6 Drawing Sheets



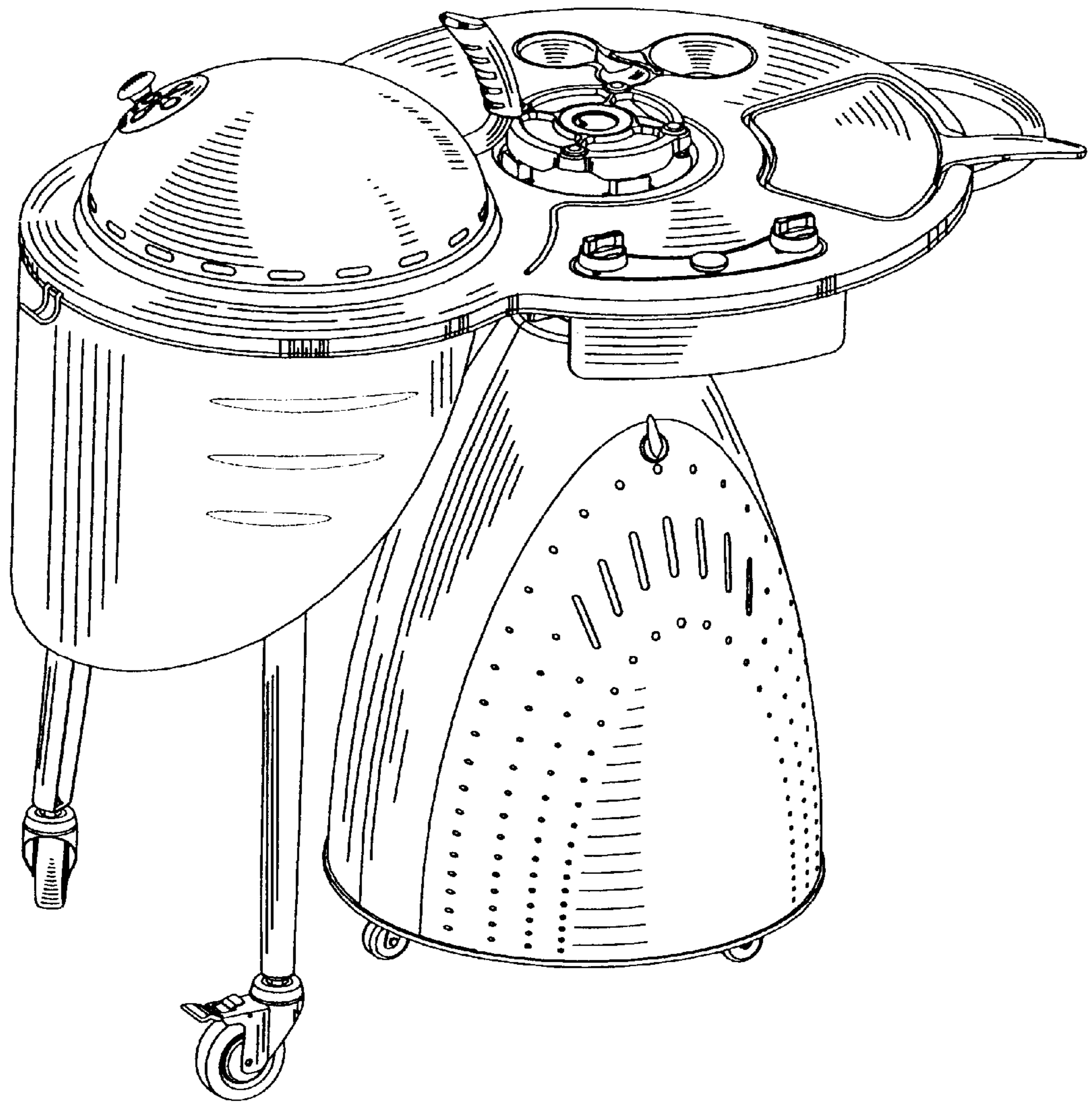


FIG. I

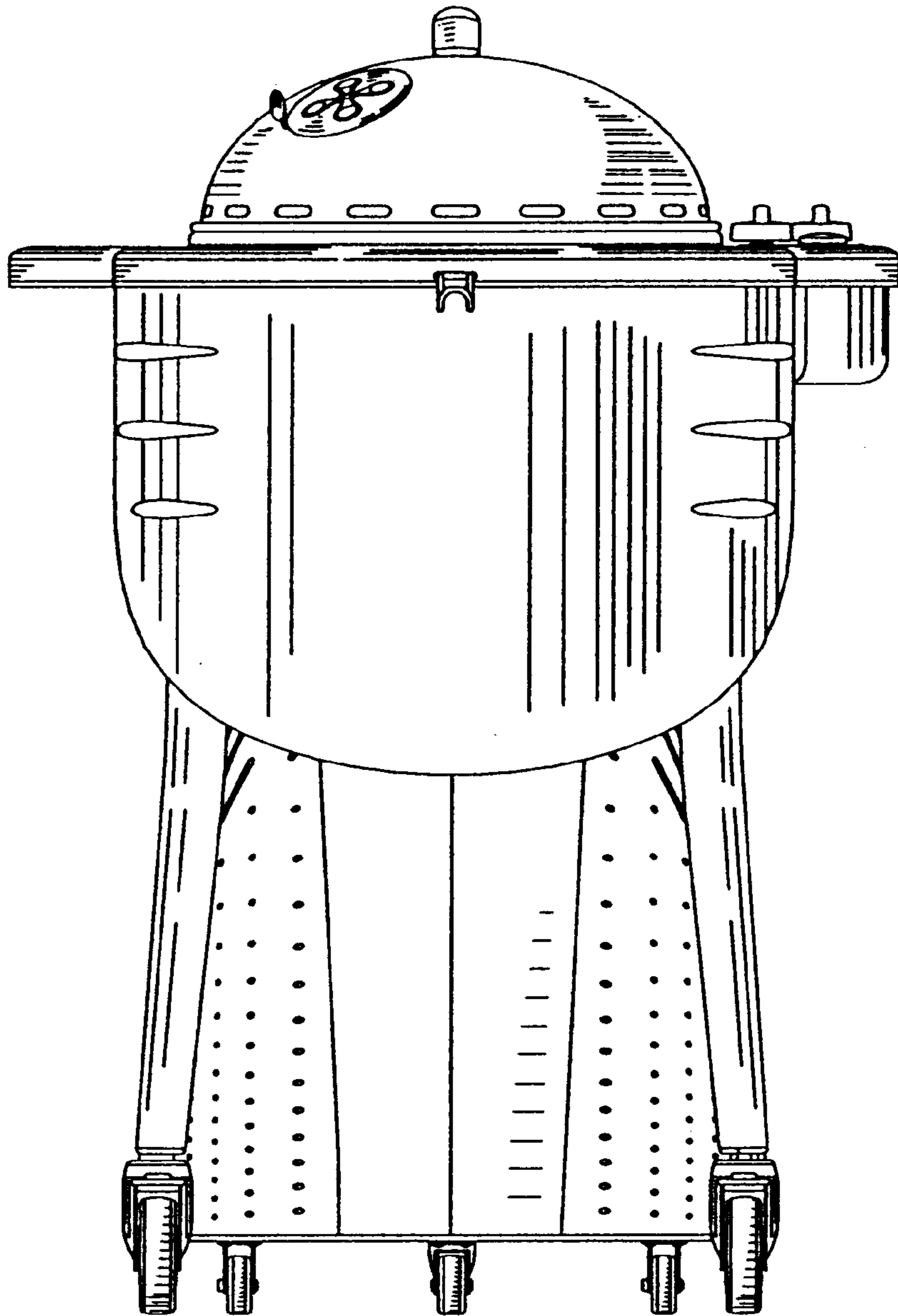


FIG. 2

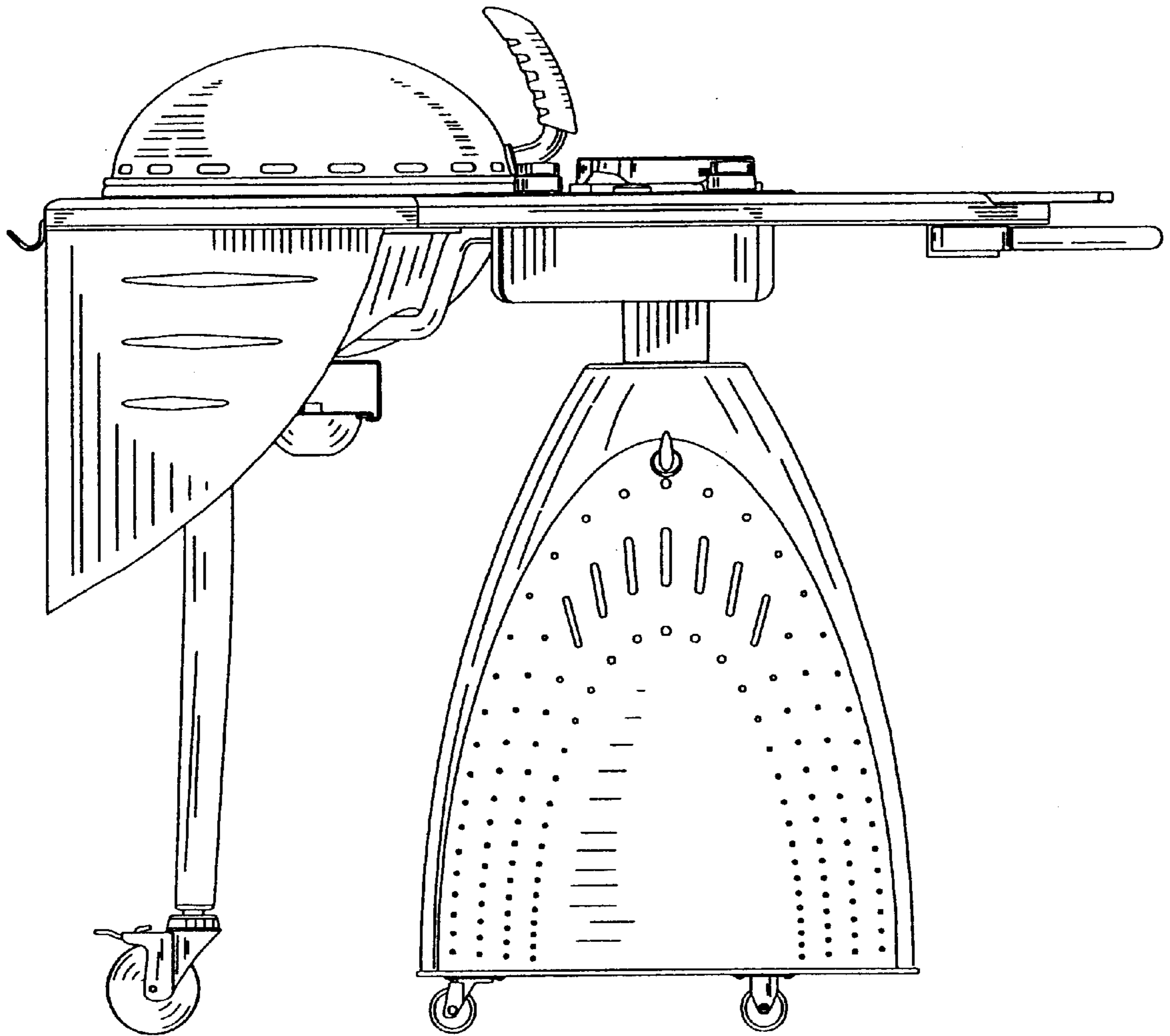


FIG. 3

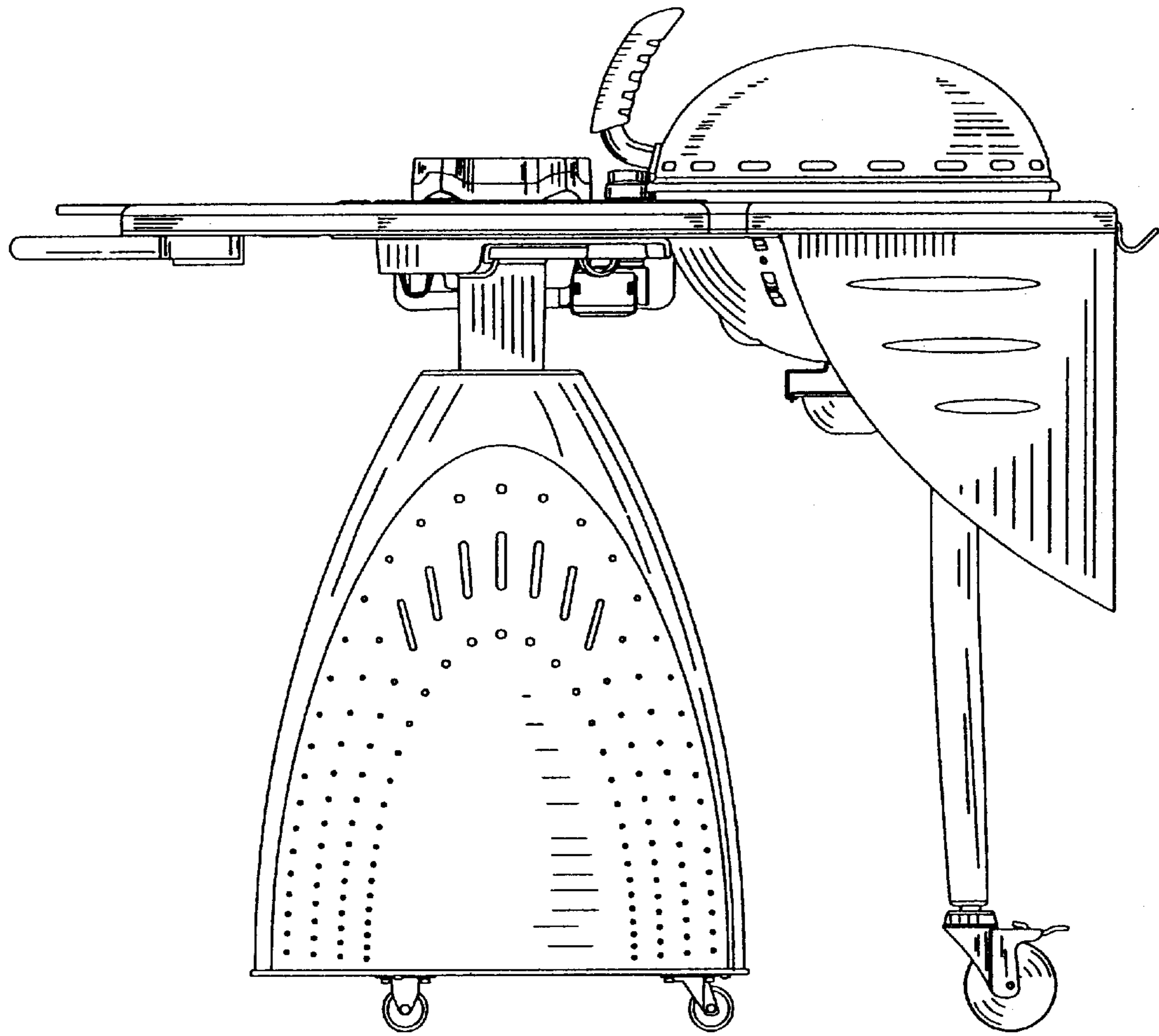


FIG. 4

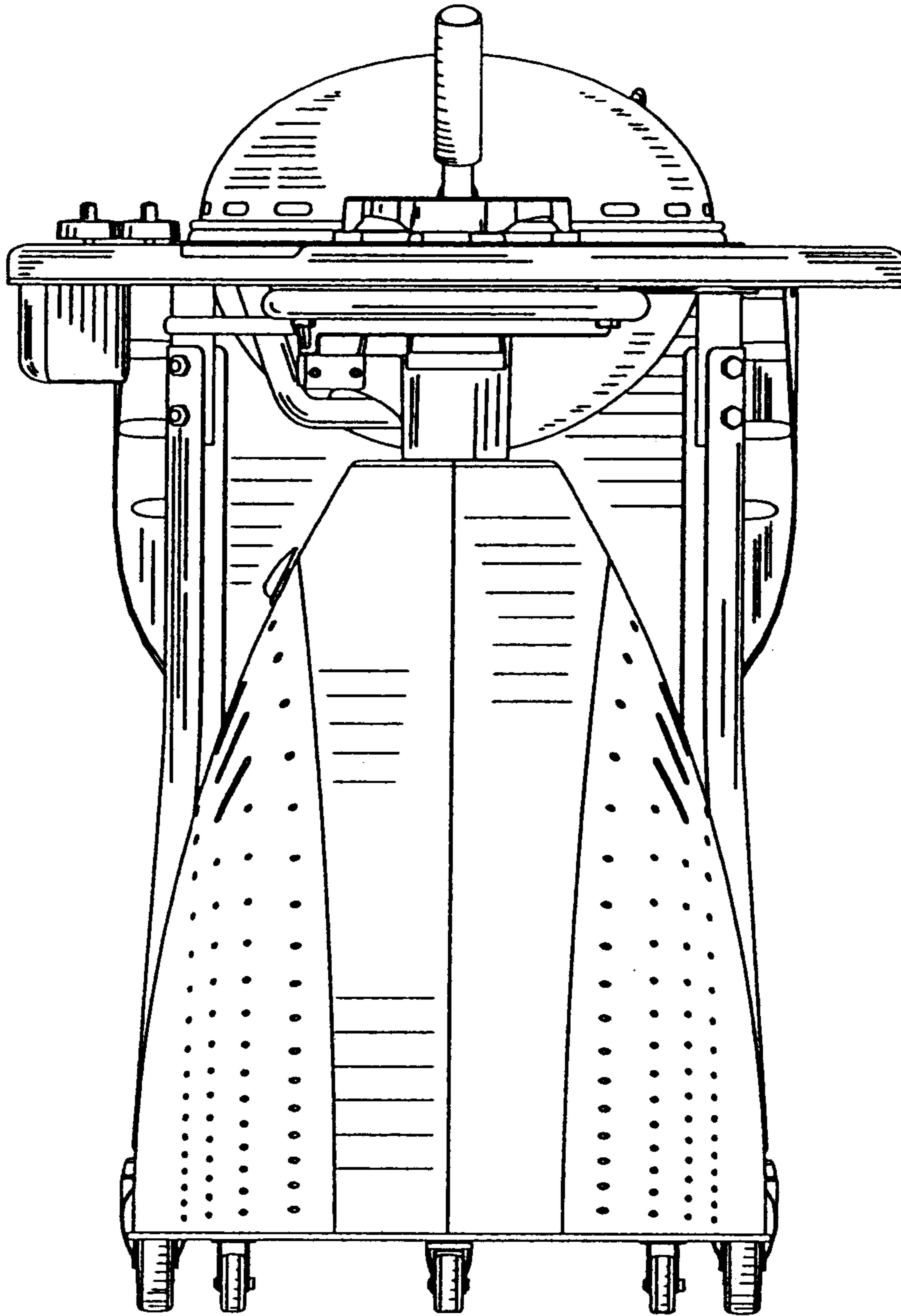


FIG. 5

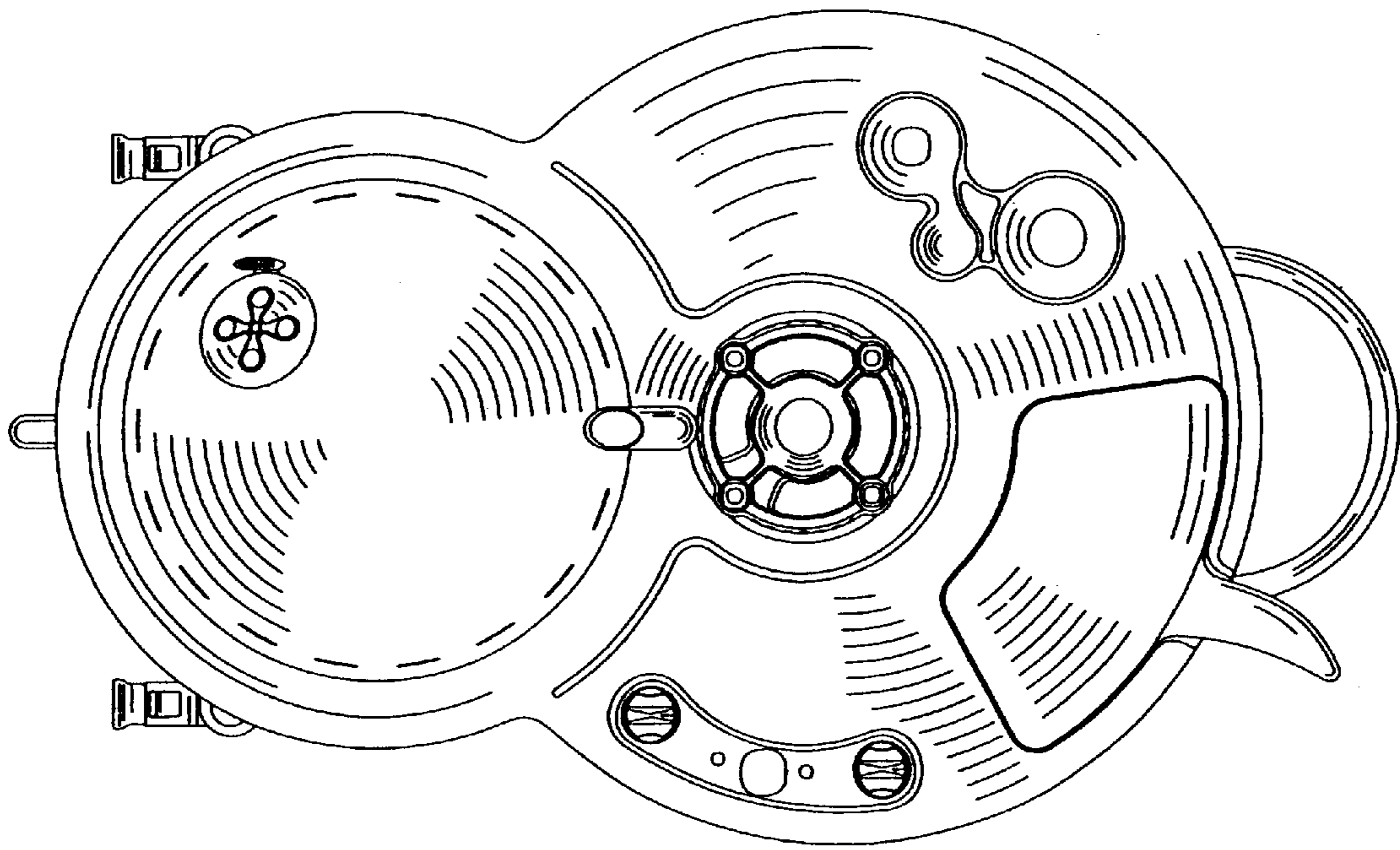


FIG. 6