



US00D488017S

(12) **United States Design Patent**  
**Belokin et al.**

(10) **Patent No.:** **US D488,017 S**

(45) **Date of Patent:** **\*\* Apr. 6, 2004**

(54) **DISPLAY SHELF**

(76) Inventors: **Paul Belokin**, 7801 I-35 North, Denton, TX (US) 76202; **Martin P. Belokin**, 7801 I-35 North, Denton, TX (US) 76202; **Norman P. Belokin**, 1606 Oak Ridge Dr., Corinth, TX (US) 76205

(\*\*) Term: **14 Years**

(21) Appl. No.: **29/179,189**

(22) Filed: **Apr. 7, 2003**

(51) **LOC (7) Cl.** ..... **06-04**

(52) **U.S. Cl.** ..... **D6/574**

(58) **Field of Search** ..... D6/511, 567, 574;  
211/71, 74, 75, 86.01, 88.01, 90.01, 126.1,  
134

(56) **References Cited**

**U.S. PATENT DOCUMENTS**

D392,144 S \* 3/1998 Vogler ..... D6/574  
D394,775 S \* 6/1998 Anderson et al. .... D6/574

D409,035 S \* 5/1999 Belokin et al. .... D6/574  
D412,421 S \* 8/1999 Belokin et al. .... D6/574  
D430,766 S \* 9/2000 Sorensen et al. .... D6/574  
D435,382 S \* 12/2000 Sorensen et al. .... D6/574

\* cited by examiner

*Primary Examiner*—Brian N. Vinson

(74) *Attorney, Agent, or Firm*—Jack A. Kanz

(57) **CLAIM**

The ornamental design disclosed for display shelf.

**DESCRIPTION**

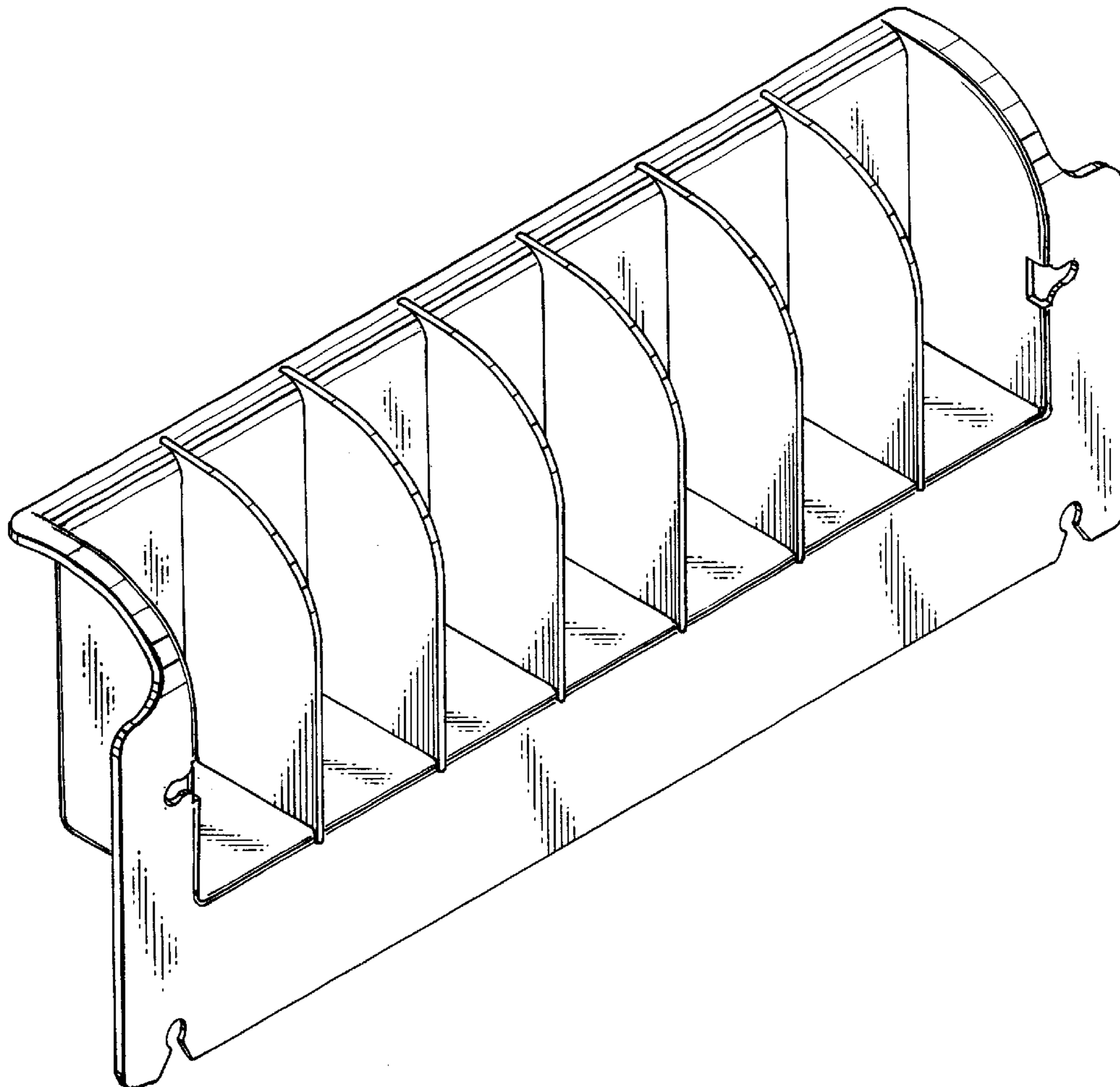
FIG. 1 is a front perspective view of a display shelf showing our new design;

FIG. 2 is a rear elevational view thereof;

FIG. 3 is a side elevational view of the right-hand side thereof, the left-hand side view being a mirror image of FIG. 3; and,

FIG. 4 is a bottom plan view of our new design for a display shelf.

**1 Claim, 2 Drawing Sheets**



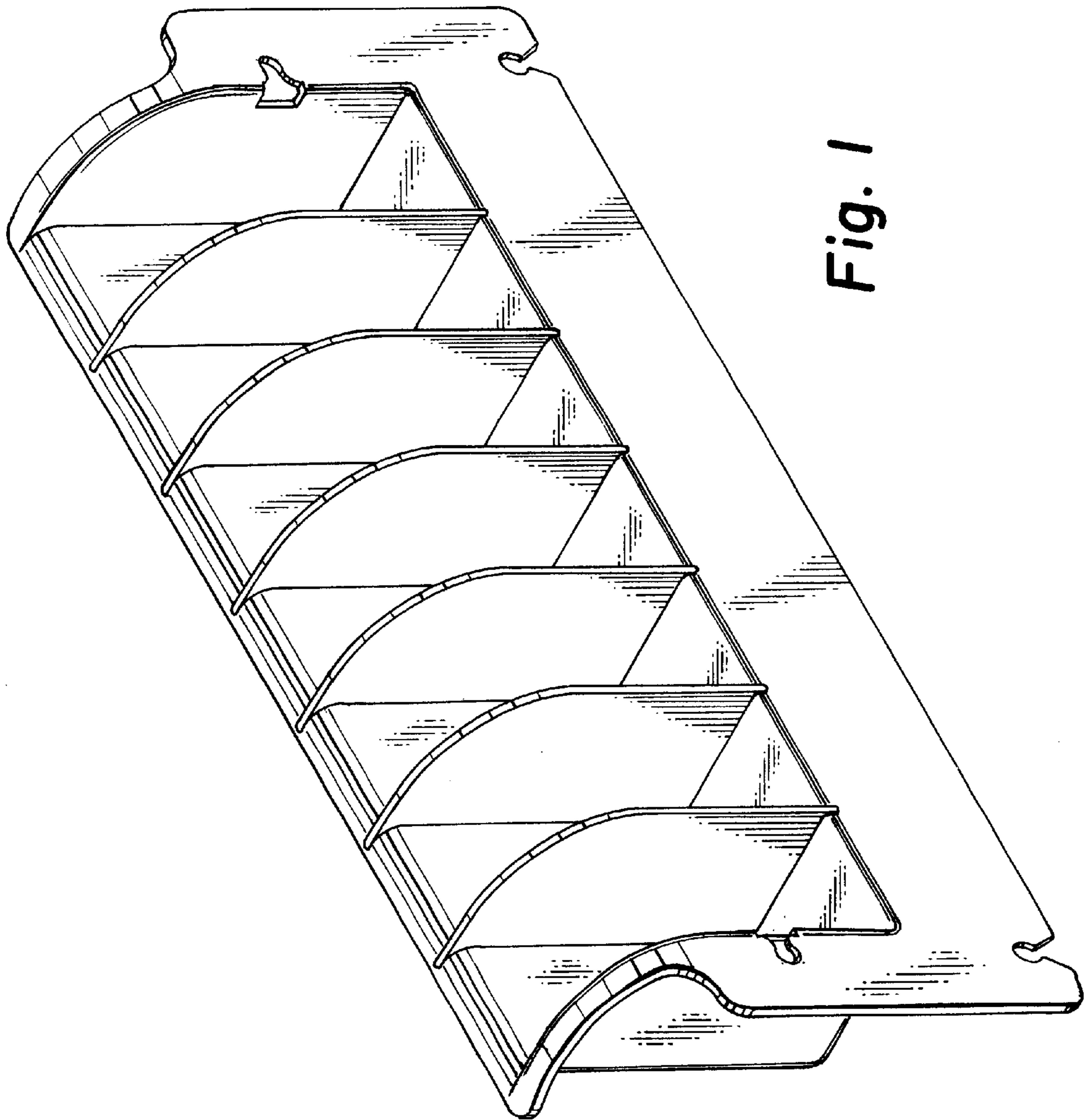


Fig. 1

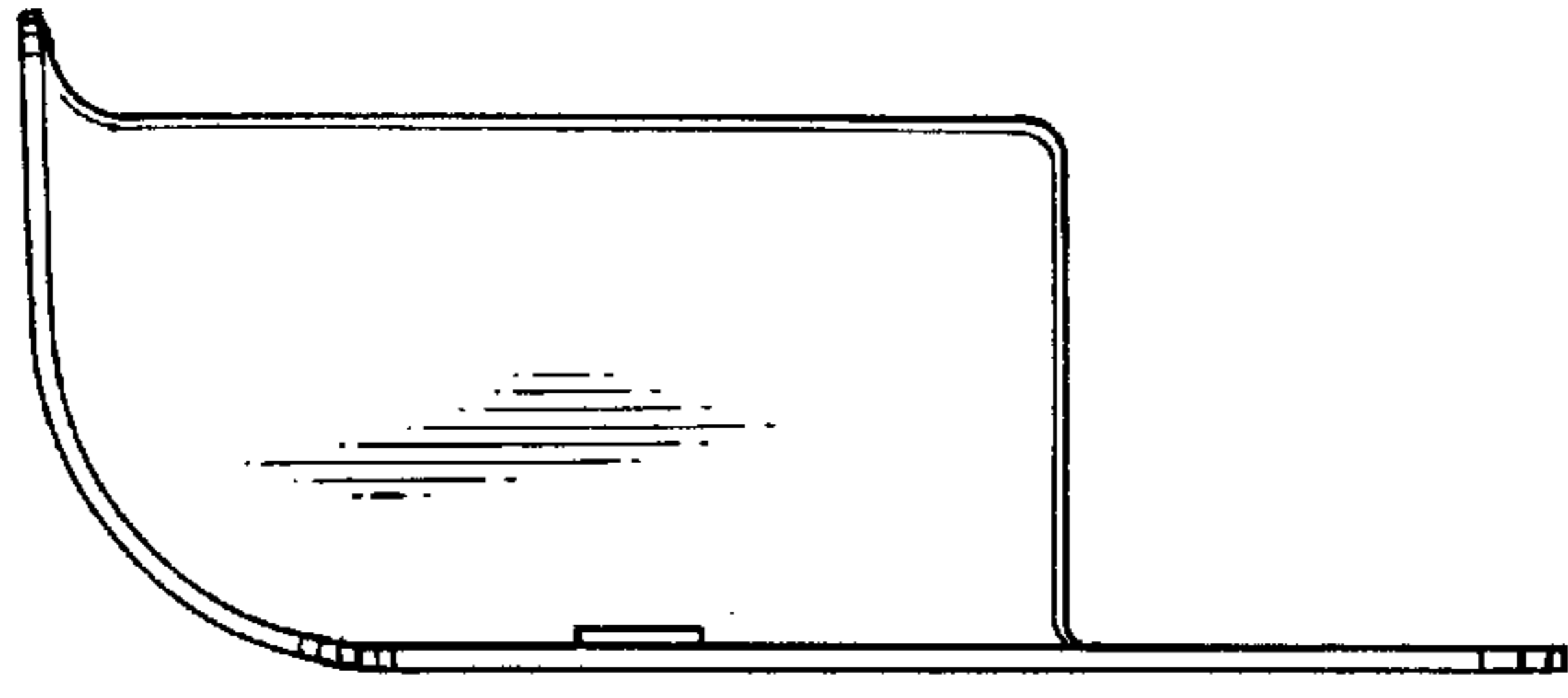


Fig. 3

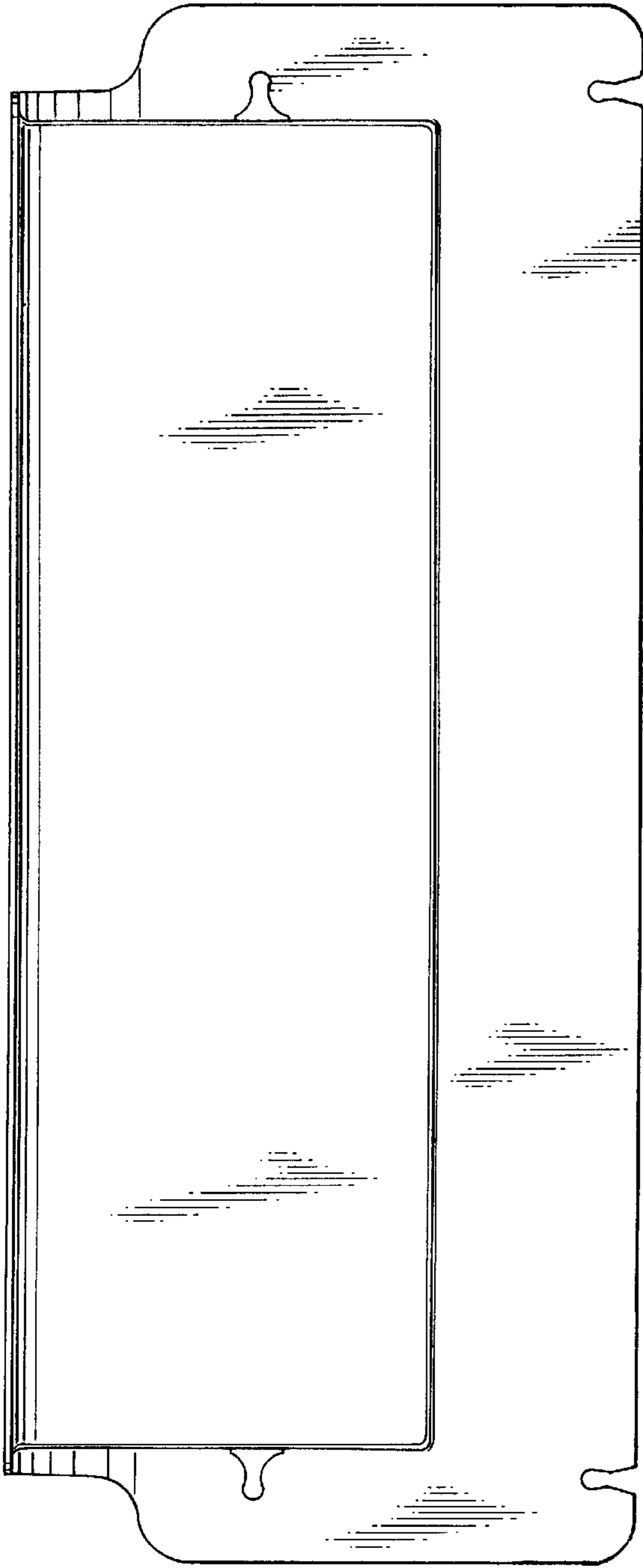


Fig. 2

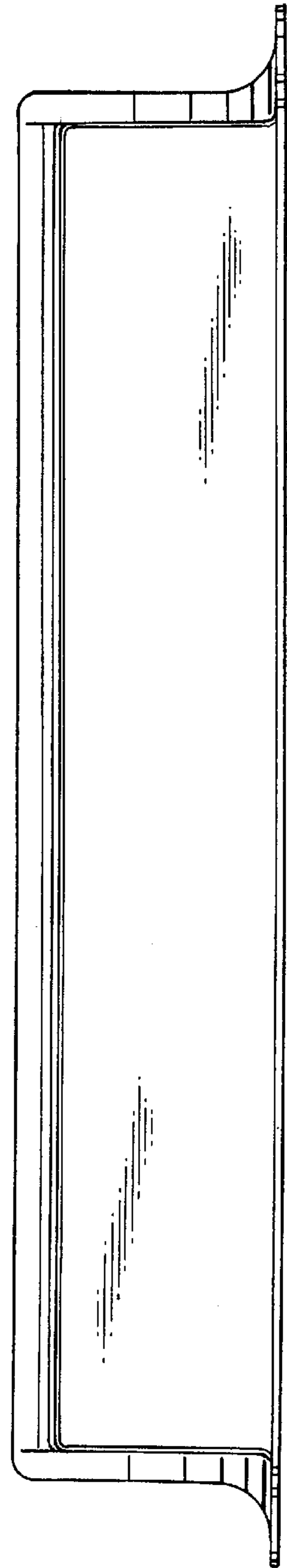


Fig. 4