



US00D488013S

(12) **United States Design Patent**  
**Stanton**

(10) **Patent No.:** **US D488,013 S**

(45) **Date of Patent:** **\*\* Apr. 6, 2004**

(54) **HEADBOARD**

(75) **Inventor:** **Shawn Christopher Stanton**, High Point, NC (US)

(73) **Assignee:** **Thomasville Furniture Industries, Inc.**, Thomasville, NC (US)

(\*\*) **Term:** **14 Years**

(21) **Appl. No.:** **29/181,310**

(22) **Filed:** **May 8, 2003**

(51) **LOC (7) Cl.** ..... **06-06**

(52) **U.S. Cl.** ..... **D6/505**

(58) **Field of Search** ..... D6/389-395, 505-508, D6/503; 5/53.1, 279.1, 280, 281, 907

(56) **References Cited**

**U.S. PATENT DOCUMENTS**

D72,127 S	*	3/1927	Antrobus	.....	D6/393
D152,894 S	*	3/1949	Lubberts et al.	.....	D6/393
D165,074 S	*	11/1951	Herrmann	.....	D6/393
D328,207 S	*	7/1992	White	.....	D6/505
D393,162 S	*	4/1998	Bargagli-Stoffi	.....	D6/505
D416,150 S	*	11/1999	Zaidman	.....	D6/505

**OTHER PUBLICATIONS**

Platform Bed, Attache Collection brochure, Thomasville Furniture Industries, Inc., pp. 2-3,2003.

Horizontal Mirror, Bridges Collection brochure, Thomasville Furniture Industries, Inc., p. 12, 2002.

Panel Headboard, Madison County Collection brochure, Thomasville Furniture Industries, Inc., p. 5, 2001.

\* cited by examiner

*Primary Examiner*—Janice E. Seeger

(74) *Attorney, Agent, or Firm*—Womble Carlyle Sandridge & Rice, PLLC

(57) **CLAIM**

The ornamental design for a headboard, as shown and described.

**DESCRIPTION**

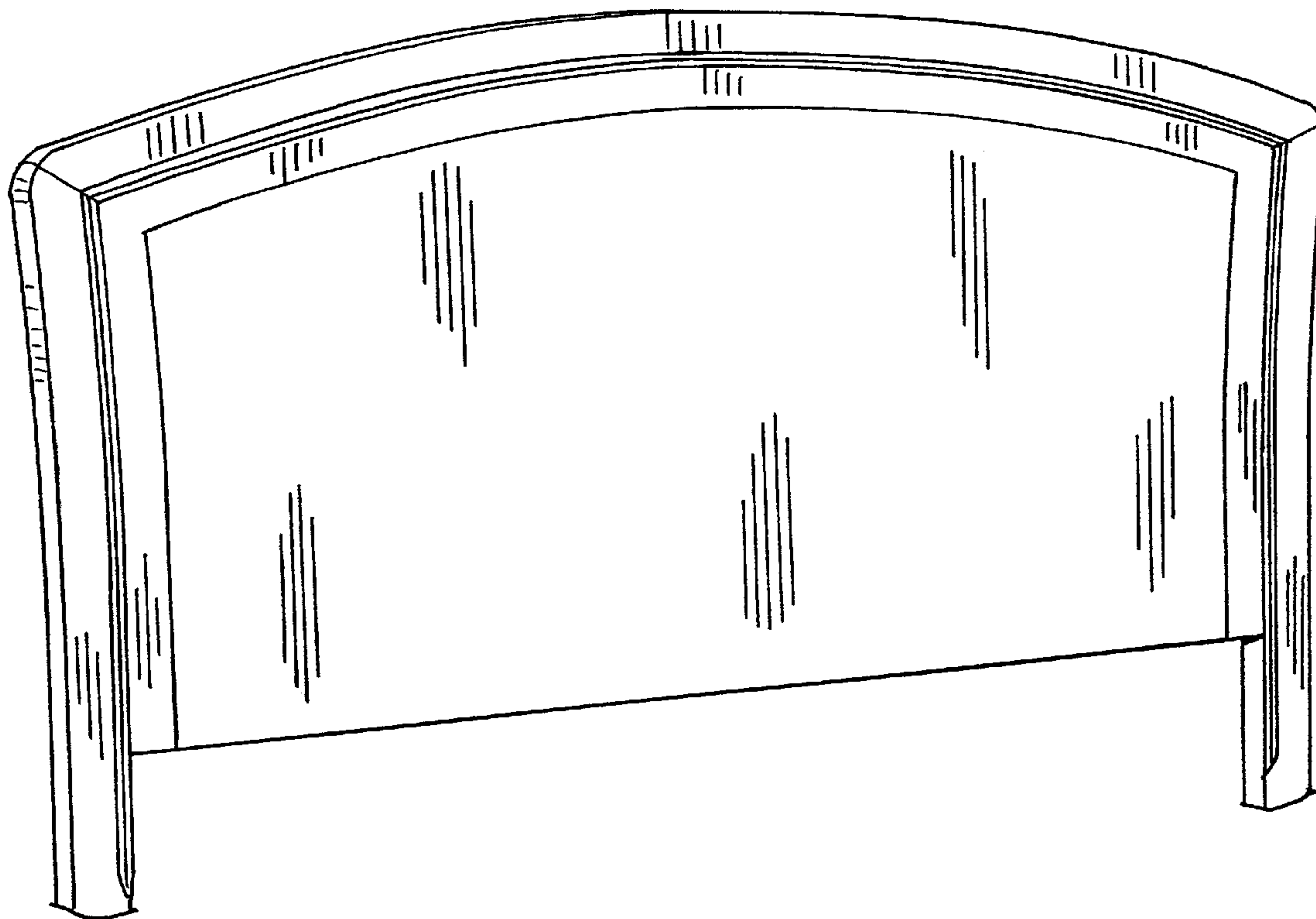
FIG. 1 is a left front perspective view of a headboard showing my new design;

FIG. 2 is a side elevational view, the opposite side being a mirror image thereof; and,

FIG. 3 is a front elevational view thereof.

The views of the headboard not shown form no part of the claimed design.

**1 Claim, 1 Drawing Sheet**



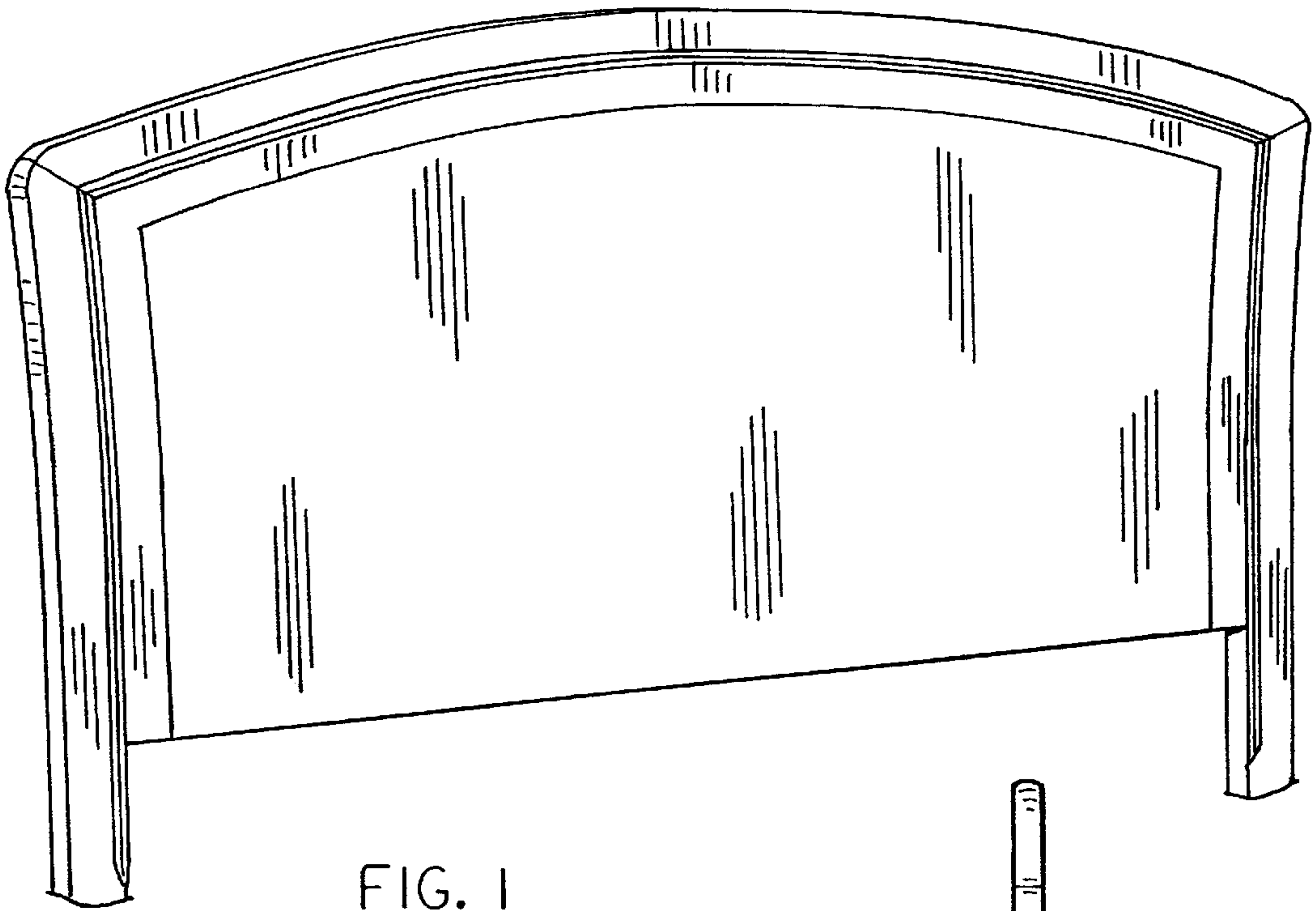


FIG. 1



FIG. 2

FIG. 3

