



US00D488011S

(12) **United States Design Patent**
Chi

(10) **Patent No.:** **US D488,011 S**

(45) **Date of Patent:** **** Apr. 6, 2004**

(54) **ARMREST OF OFFICE CHAIR**

(76) Inventor: **Ching-Hui Chi**, No. 24-2, Hsi Wei Street, San Chung City, Taipei Hsien (TW)

(**) Term: **14 Years**

(21) Appl. No.: **29/179,286**

(22) Filed: **Apr. 9, 2003**

(51) **LOC (7) Cl.** **06-06**

(52) **U.S. Cl.** **D6/501; D6/366**

(58) **Field of Search** D6/334, 335, 364, D6/365, 366, 367, 500, 501, 502; 297/411.2, 411.27, 463.1

(56) **References Cited**

U.S. PATENT DOCUMENTS

- D393,765 S * 4/1998 Chu D6/501
- D398,174 S * 9/1998 Fahnstrom et al. D6/501
- D437,701 S * 2/2001 Bellini et al. D9/366

- D454,270 S * 3/2002 Schultz et al. D6/501
- D472,722 S * 4/2003 Moll D6/366
- D476,513 S * 7/2003 Lee D6/501

* cited by examiner

Primary Examiner—Gary D. Watson

(74) *Attorney, Agent, or Firm*—Rosenberg, Klein & Lee

(57) **CLAIM**

The ornamental design for an armrest of office chair, as shown and described.

DESCRIPTION

FIG. 1 is a perspective view of an armrest of office chair showing my new design;

FIG. 2 is a front elevational view thereof;

FIG. 3 is a rear elevational view thereof;

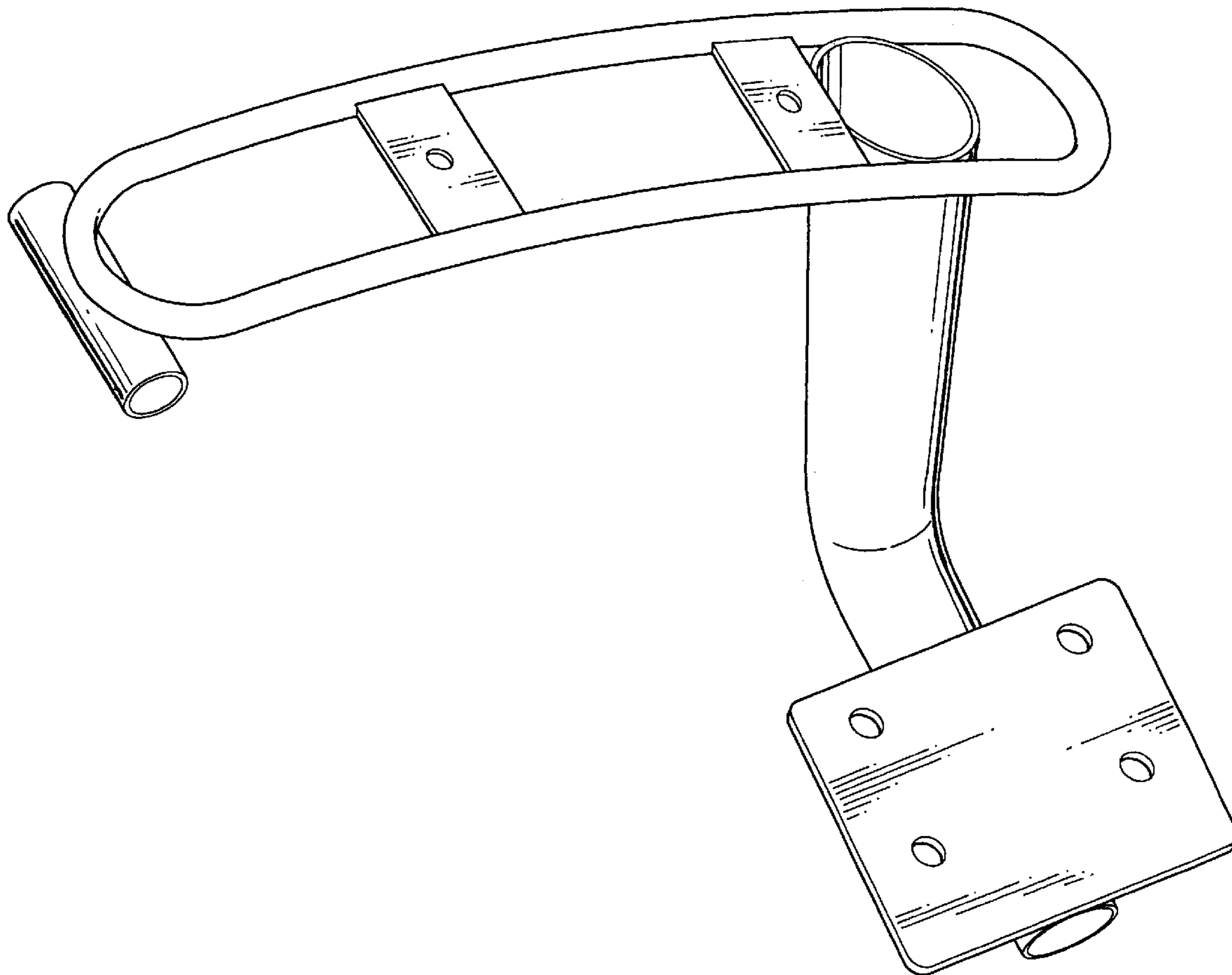
FIG. 4 is a left side elevational view thereof;

FIG. 5 is a right side elevational view thereof;

FIG. 6 is a top plan view thereof; and,

FIG. 7 is a bottom plan view thereof.

1 Claim, 4 Drawing Sheets



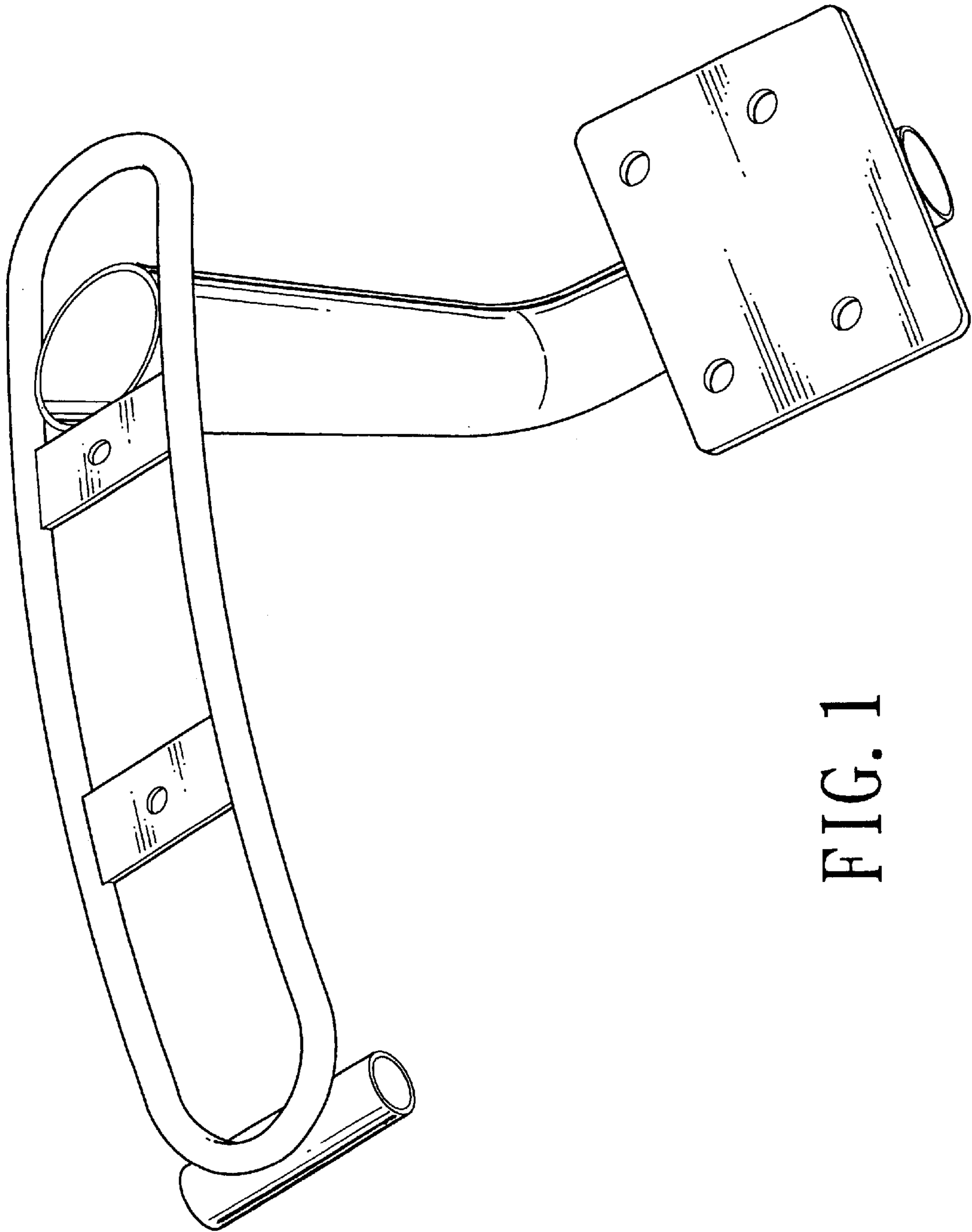


FIG. 1

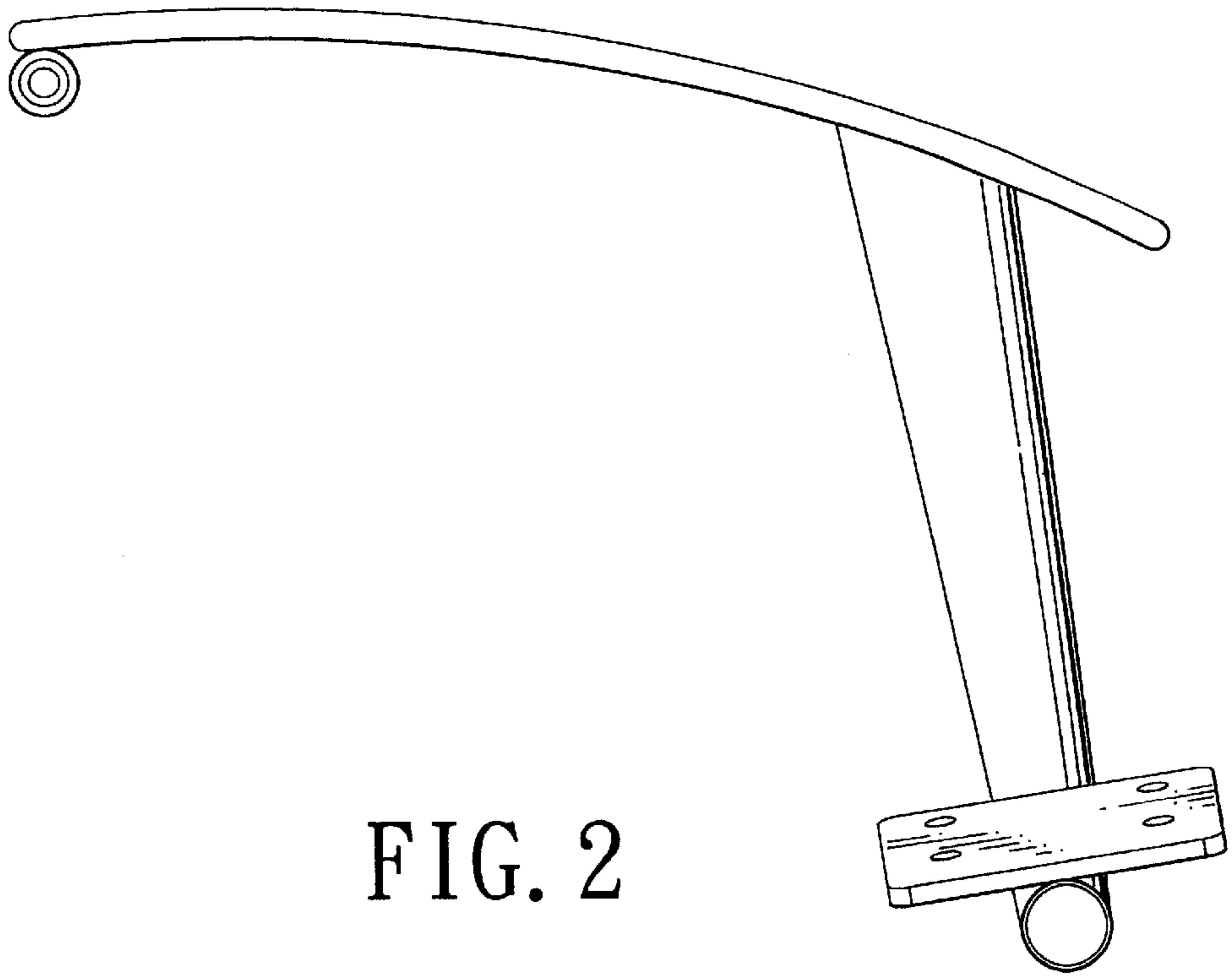


FIG. 2

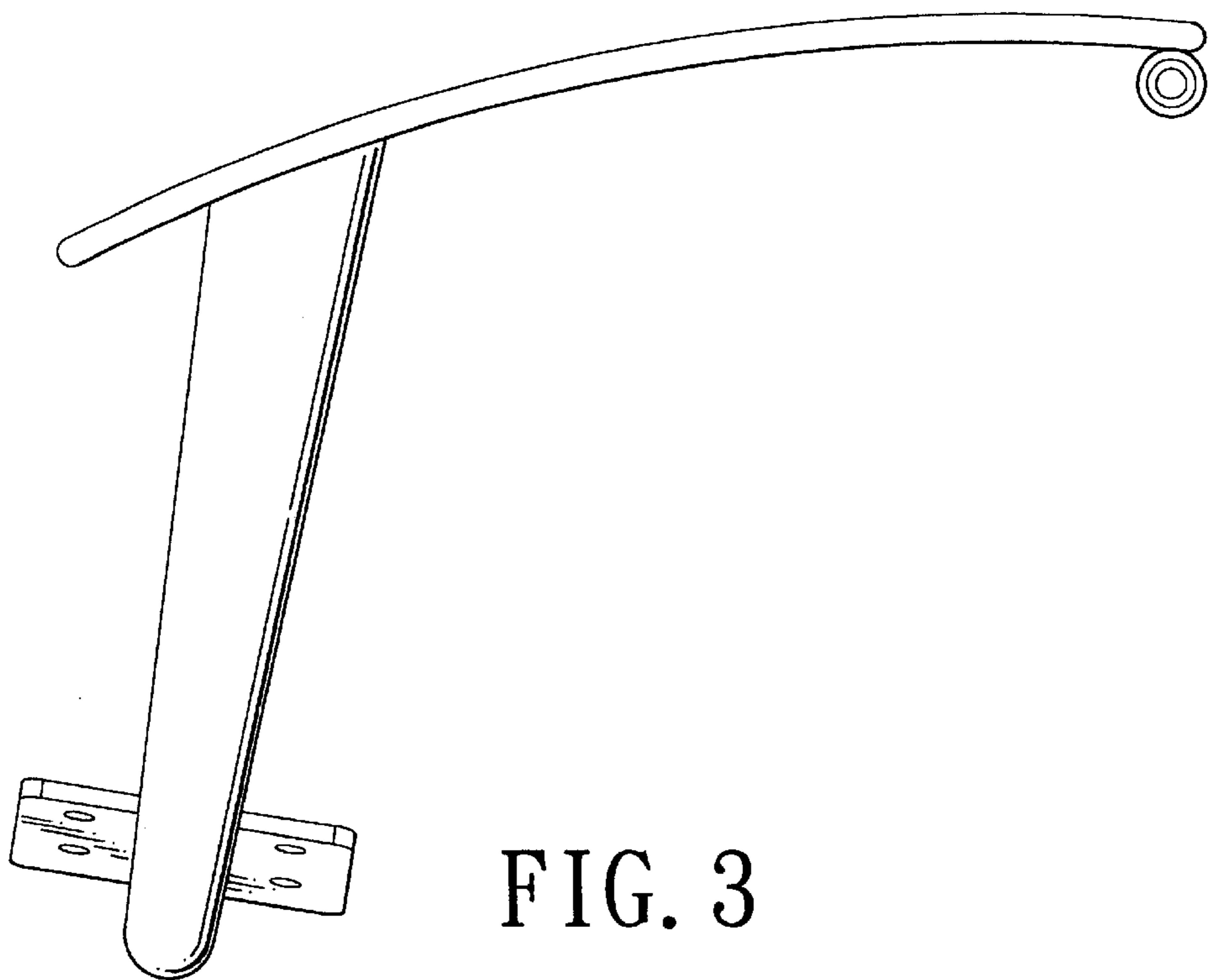


FIG. 3

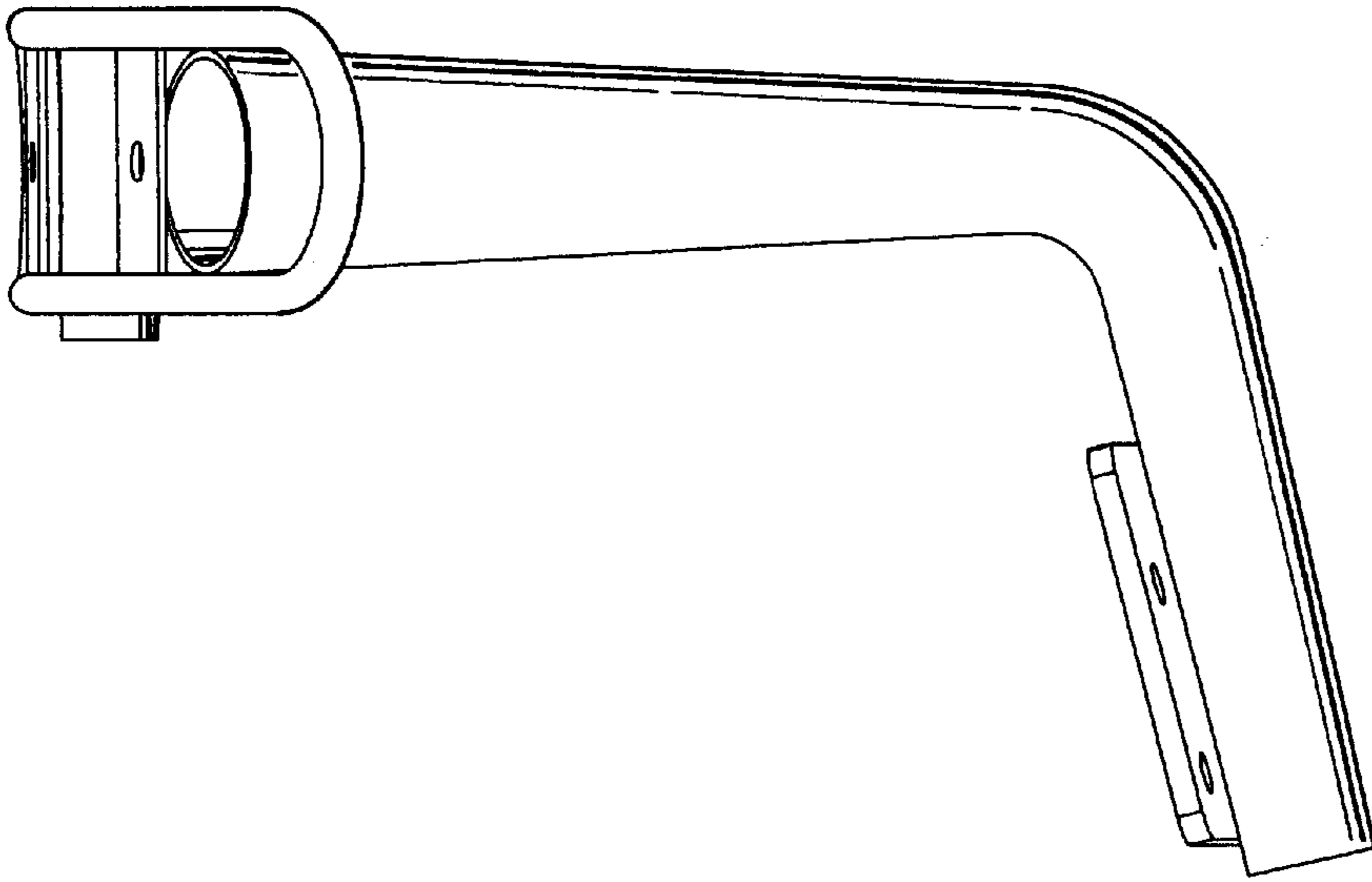


FIG. 5

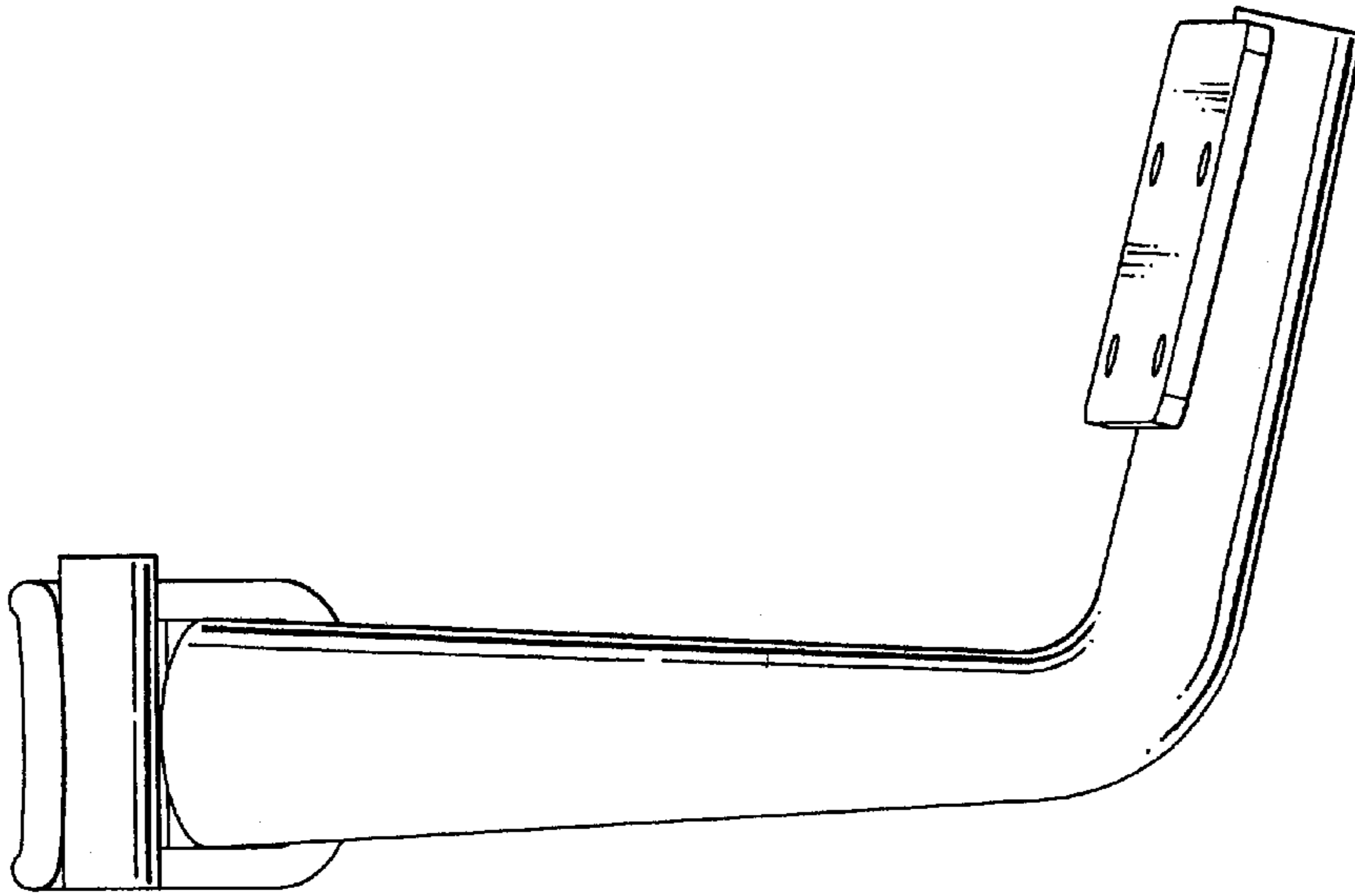


FIG. 4

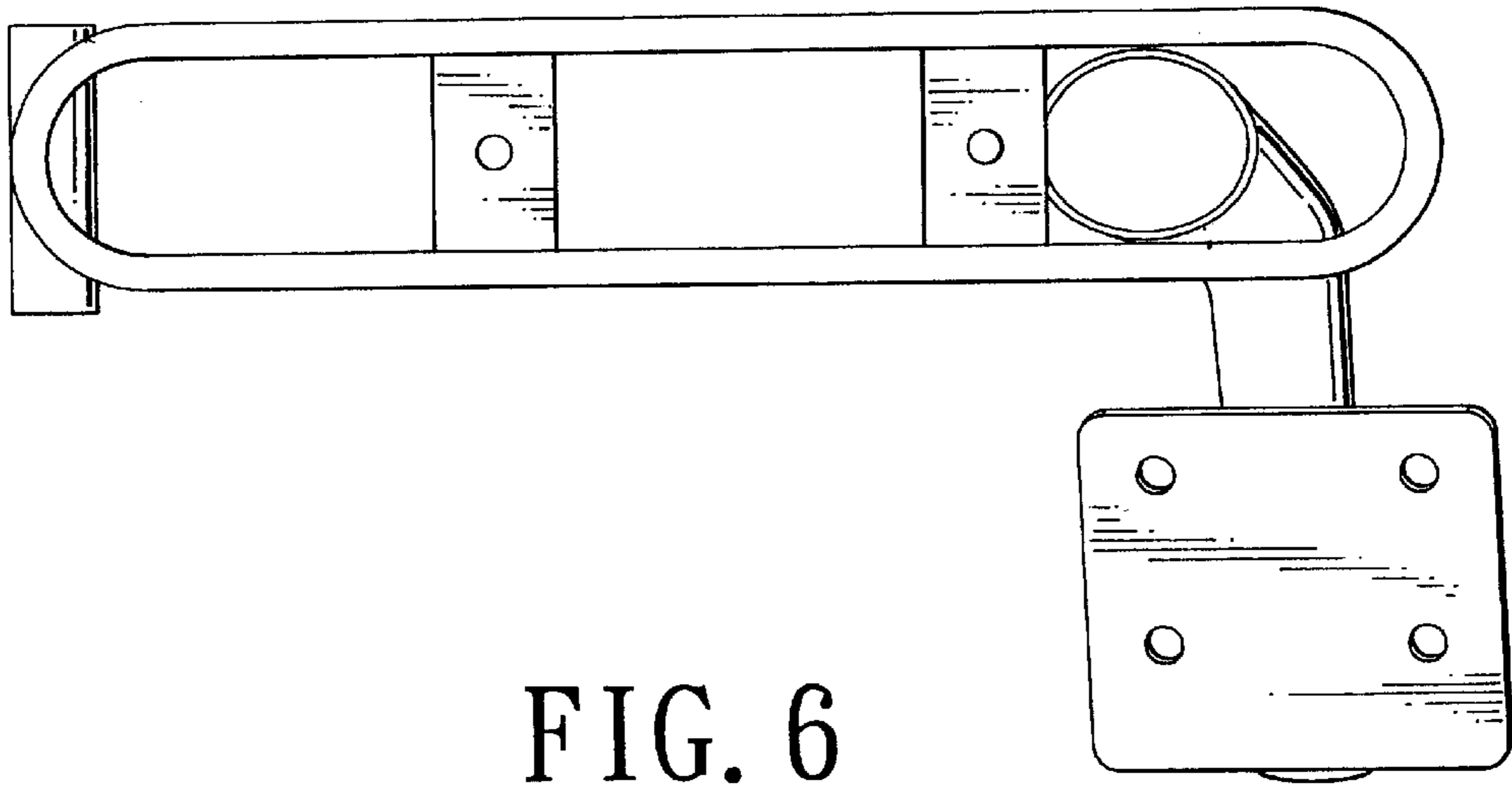


FIG. 6

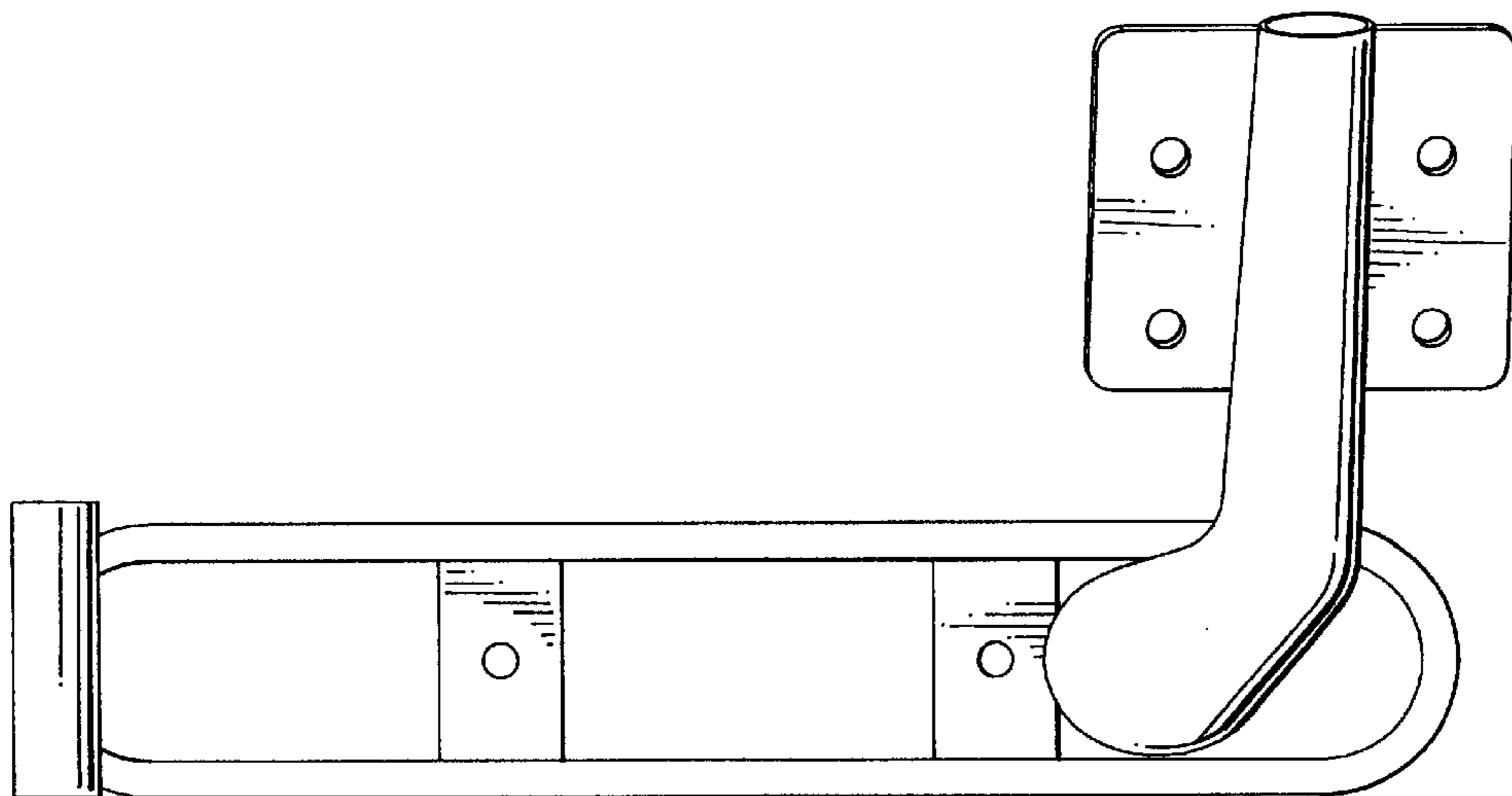


FIG. 7