



US00D488007S

(12) **United States Design Patent**
Cronk et al.

(10) **Patent No.:** **US D488,007 S**

(45) **Date of Patent:** **** Apr. 6, 2004**

(54) **CHAIR BASE**

(75) Inventors: **Jeffrey P. Cronk**, Tulsa, OK (US);
Joseph D. Keitel, Muscatine, IA (US);
James M. Groulx, Muscatine, IA (US);
Randall E. Green, Sr., Muscatine, IA (US)

(73) Assignee: **HON Technology Inc.**, Muscatine, IA (US)

(**) Term: **14 Years**

(21) Appl. No.: **29/156,245**

(22) Filed: **Feb. 26, 2002**

(51) **LOC (7) Cl.** **06-06**

(52) **U.S. Cl.** **D6/495**

(58) **Field of Search** D6/334, 381, 495,
D6/499, 500; 297/445.1; 248/188.1, 188.8

(56) **References Cited**

U.S. PATENT DOCUMENTS

- D190,805 S * 7/1961 Deskey D6/334
- D291,516 S 8/1987 Strousse et al.
- D293,630 S * 1/1988 Stewart D6/334

- D293,631 S * 1/1988 Offredi D6/334
- D358,050 S 5/1995 Koning
- D367,194 S * 2/1996 Hannum D6/495
- D367,841 S 3/1996 Garelick
- D372,610 S 8/1996 Hannum
- D383,926 S 9/1997 Spector
- D418,699 S 1/2000 Burns et al.

* cited by examiner

Primary Examiner—Gary D. Watson

(74) *Attorney, Agent, or Firm*—Jones Day

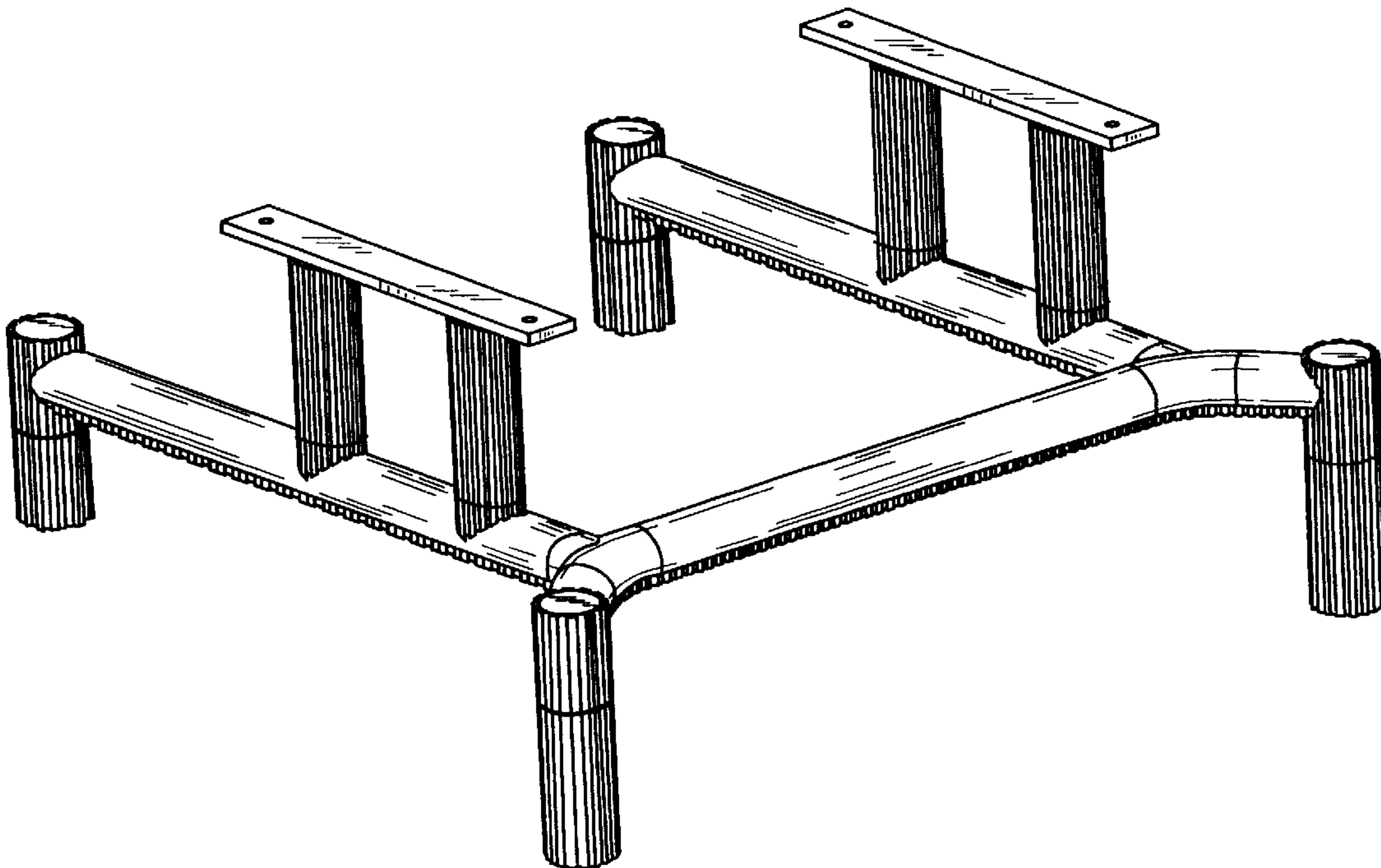
(57) **CLAIM**

The ornamental design for a chair base, as shown.

DESCRIPTION

FIG. 1 is a front right perspective view of the chair base showing the new design;
 FIG. 2 is a front view thereof;
 FIG. 3 is a left side view thereof;
 FIG. 4 is a right side view thereof;
 FIG. 5 is a rear view thereof;
 FIG. 6 is a top view thereof; and,
 FIG. 7 is a bottom view thereof.

1 Claim, 5 Drawing Sheets



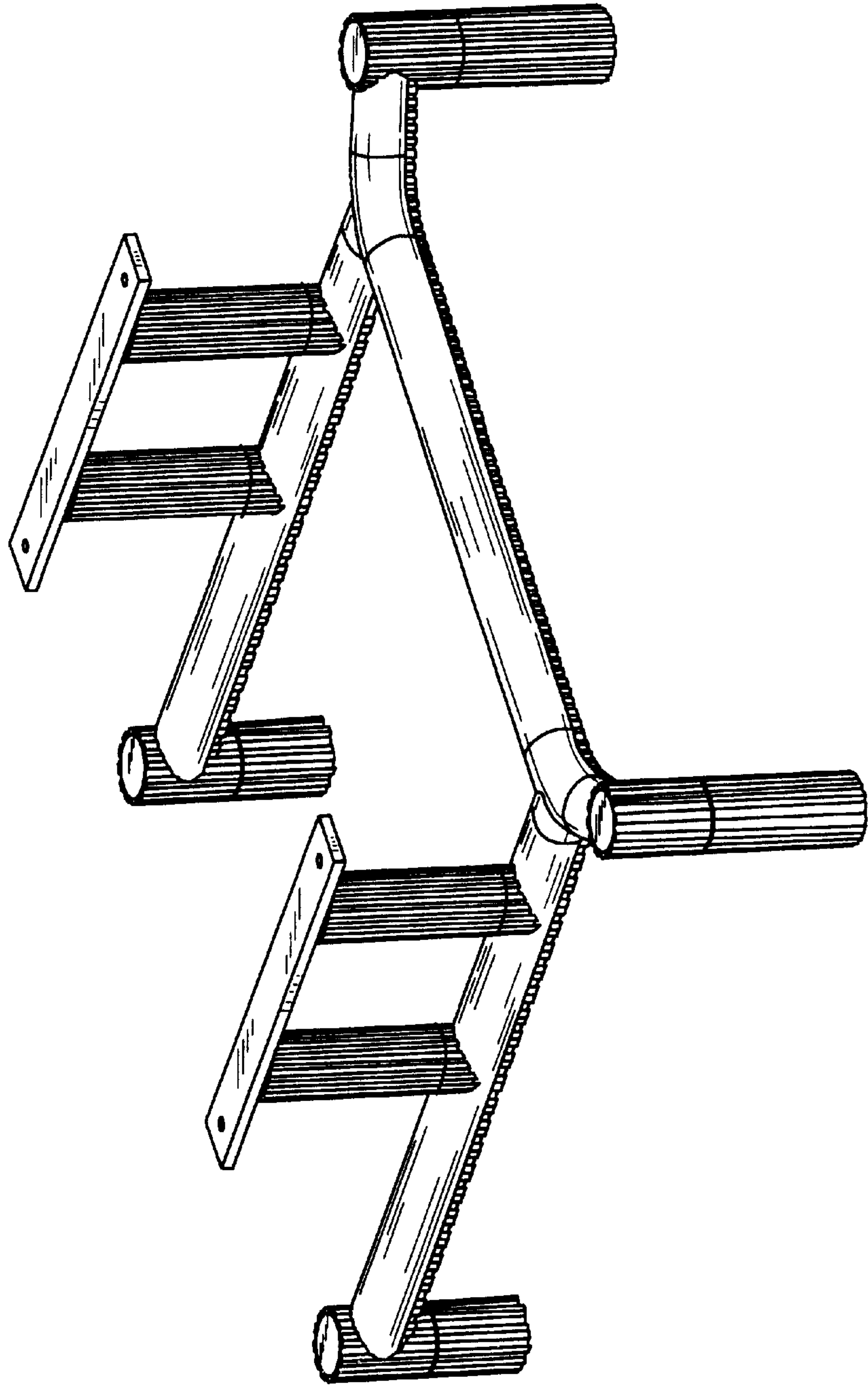


Fig. 1

Fig. 2

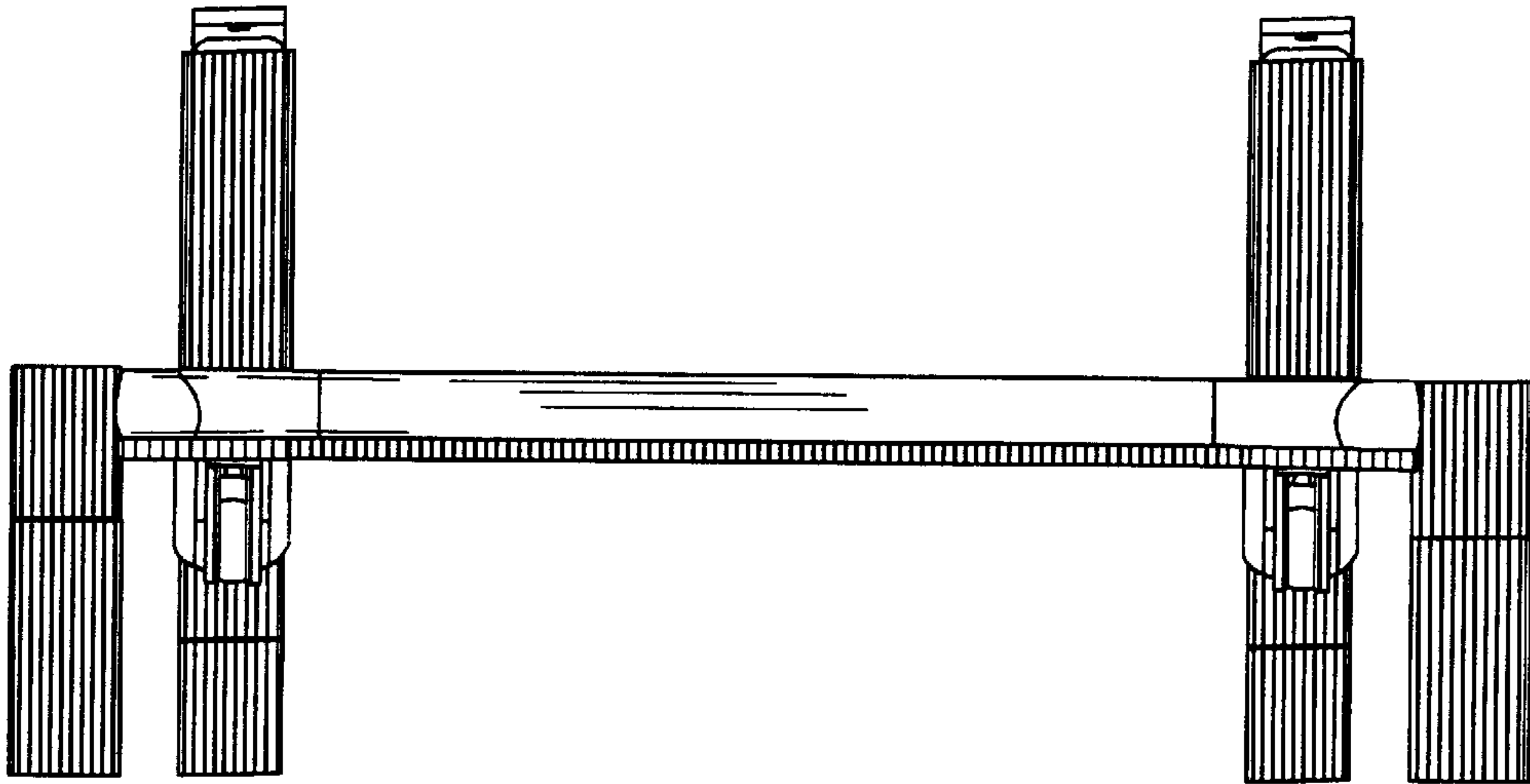


Fig. 3

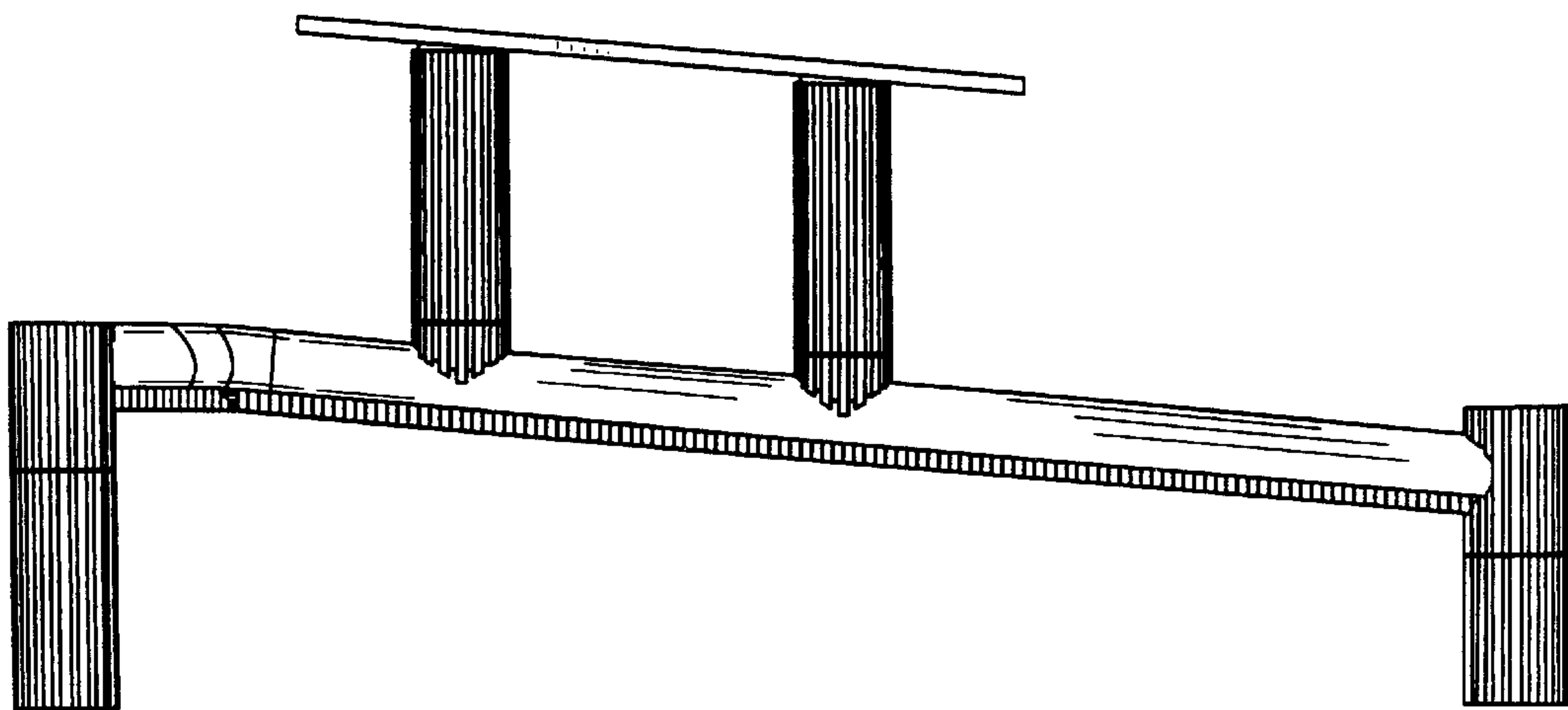


Fig. 4

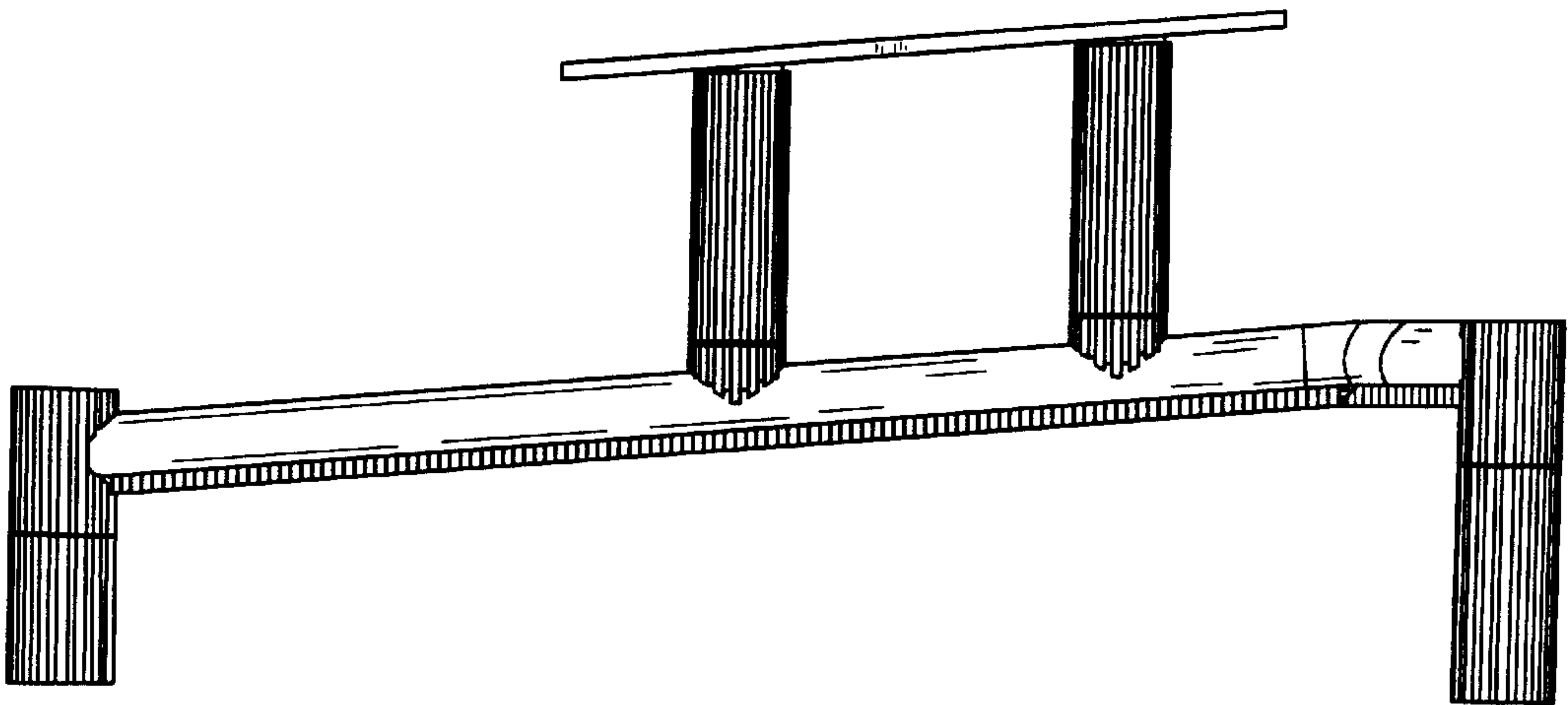


Fig. 5

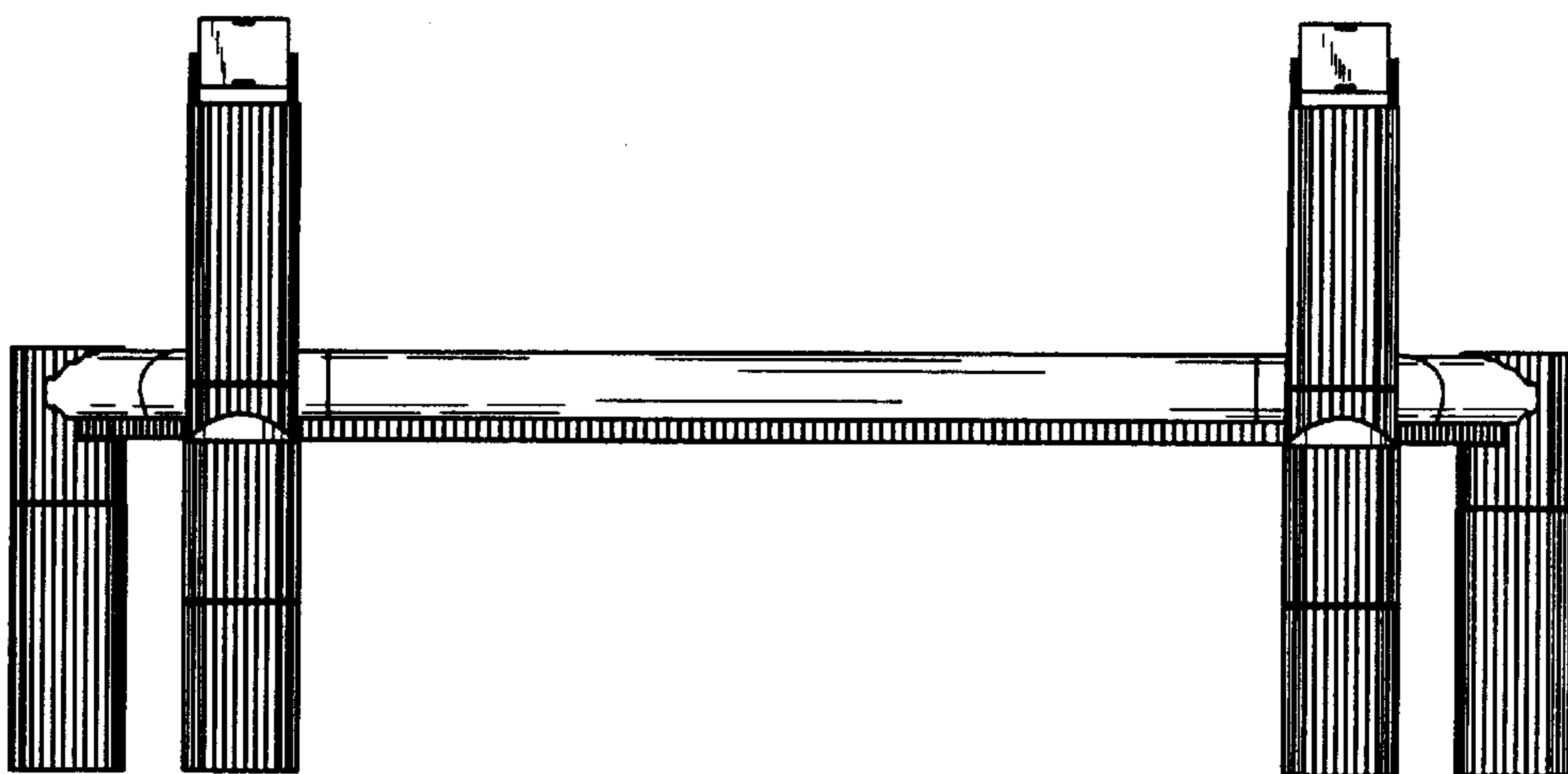


Fig. 6

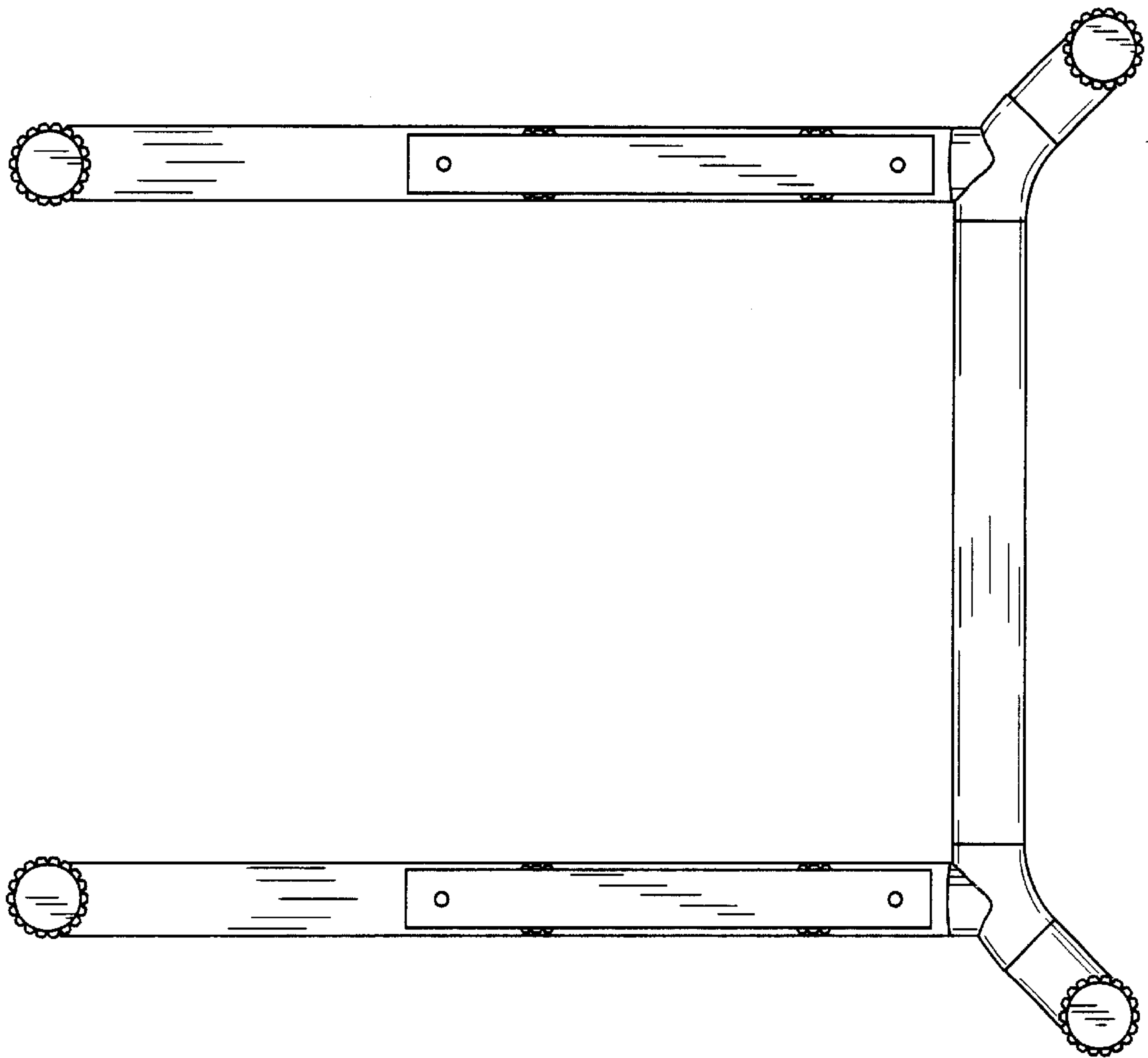


Fig. 7

