



US00D488006S

(12) **United States Design Patent**
Deichmann

(10) **Patent No.:** **US D488,006 S**

(45) **Date of Patent:** **** Apr. 6, 2004**

(54) **PLAYING TABLE**

D389,346 S * 1/1998 Schefcik D6/484
D406,964 S * 3/1999 Lewis D6/477

(75) Inventor: **John Deichmann**, Kolding (DK)

* cited by examiner

(73) Assignee: **Interlego AG**, Baar (CH)

Primary Examiner—Janice E. Seeger

(**) Term: **14 Years**

(74) *Attorney, Agent, or Firm*—Pitney, Hardin, Kipp & Szuch LLP

(21) Appl. No.: **29/177,462**

(57) **CLAIM**

(22) Filed: **Mar. 11, 2003**

The ornamental design for a playing table, as shown and described.

(51) **LOC (7) Cl.** **06-03**

(52) **U.S. Cl.** **D6/484**

(58) **Field of Search** D6/480–489, 495,
D6/511; 108/153.1, 155, 156, 157.1, 161;
248/188, 188.1

DESCRIPTION

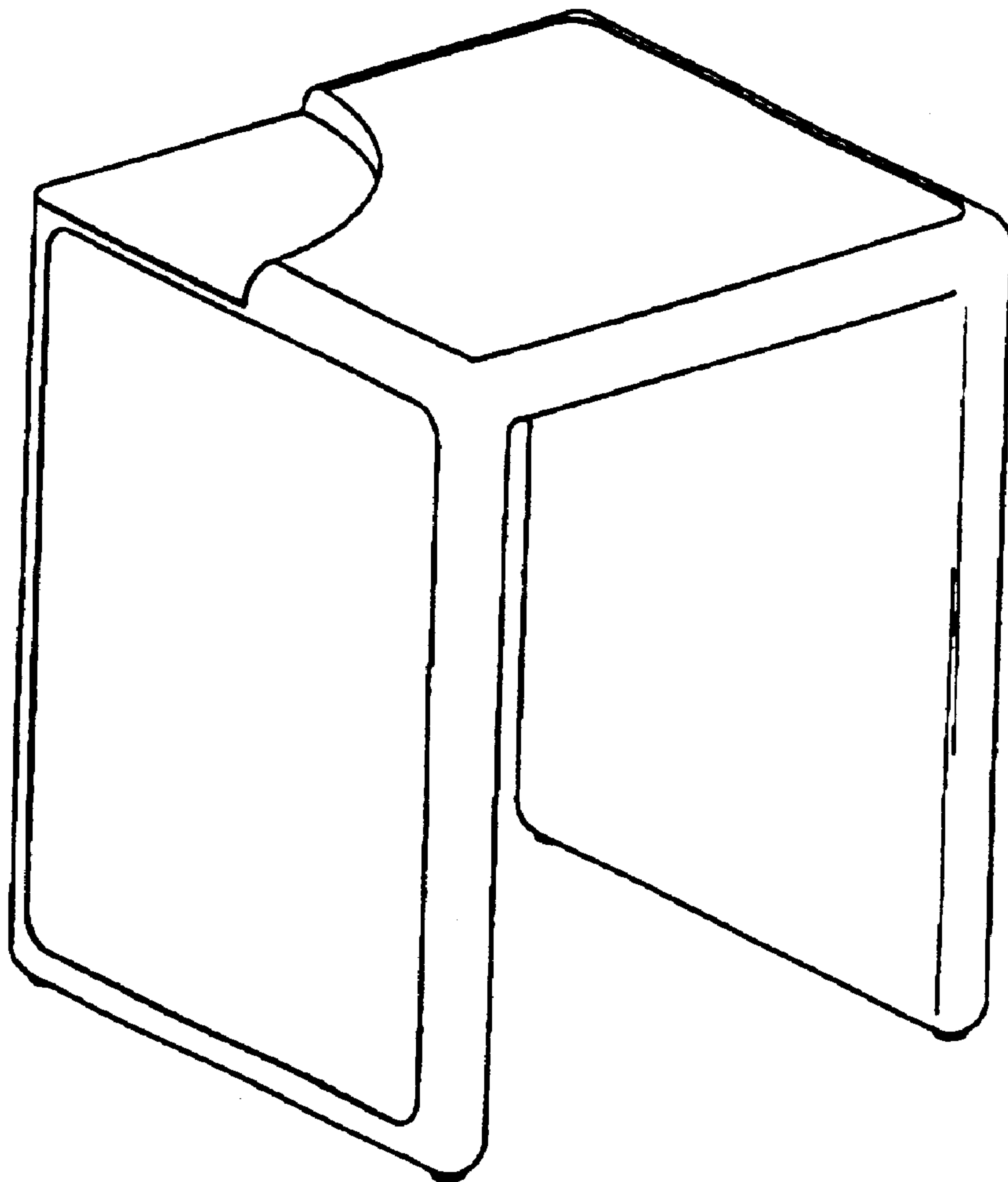
FIG. 1 is a top perspective view of the playing table;
FIG. 2 is a bottom perspective view thereof;
FIG. 3 is a front elevational view thereof;
FIG. 4 is a rear elevational view thereof;
FIG. 5 is a top plan view thereof;
FIG. 6 is a bottom plan view thereof;
FIG. 7 is a left side view thereof; and,
FIG. 8 is a right side view thereof.

(56) **References Cited**

U.S. PATENT DOCUMENTS

D96,148 S * 7/1935 Walker D6/484
D160,107 S * 9/1950 Moffitt D6/426
D296,284 S * 6/1988 Colby D6/487

1 Claim, 2 Drawing Sheets



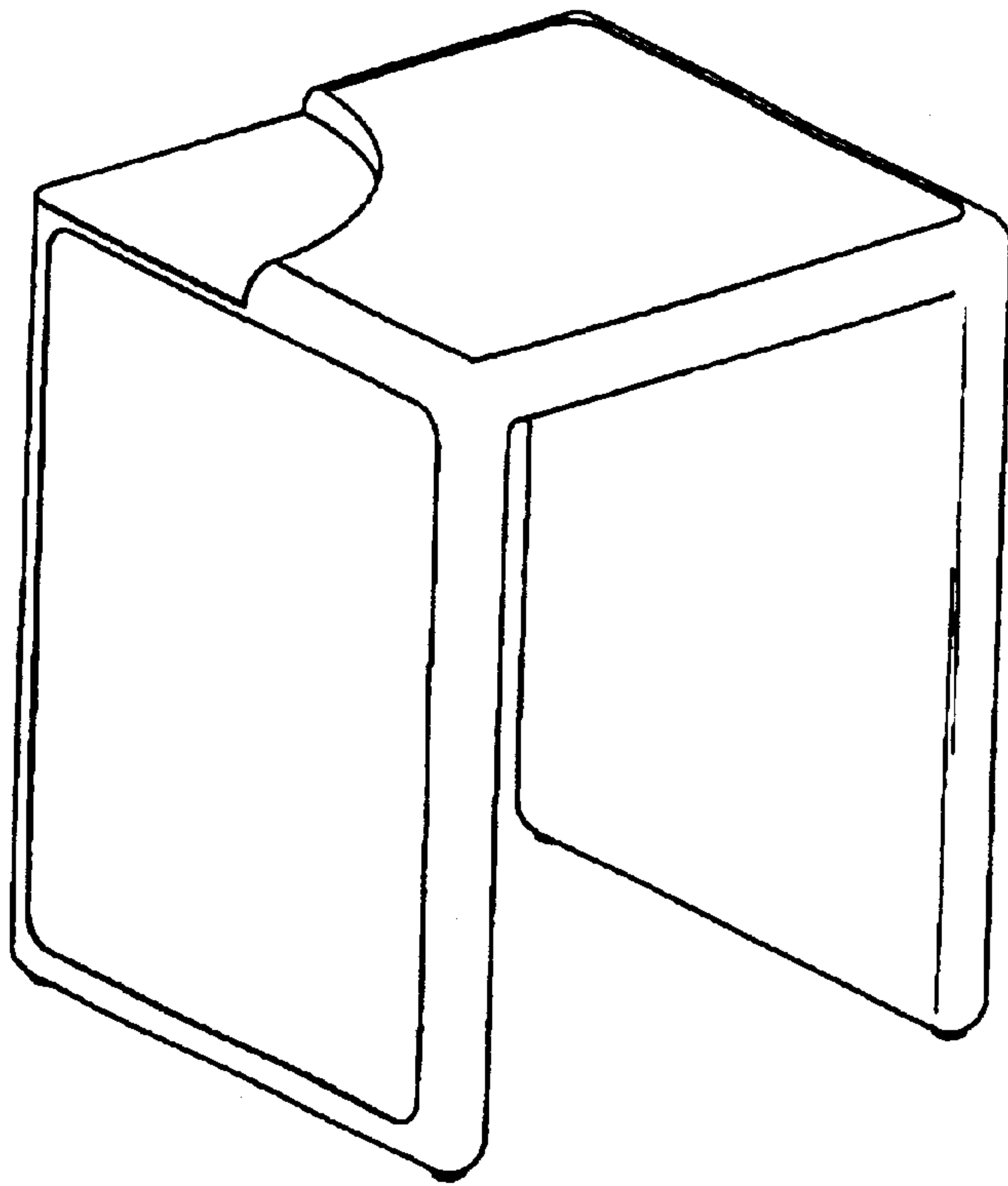


Fig. 1

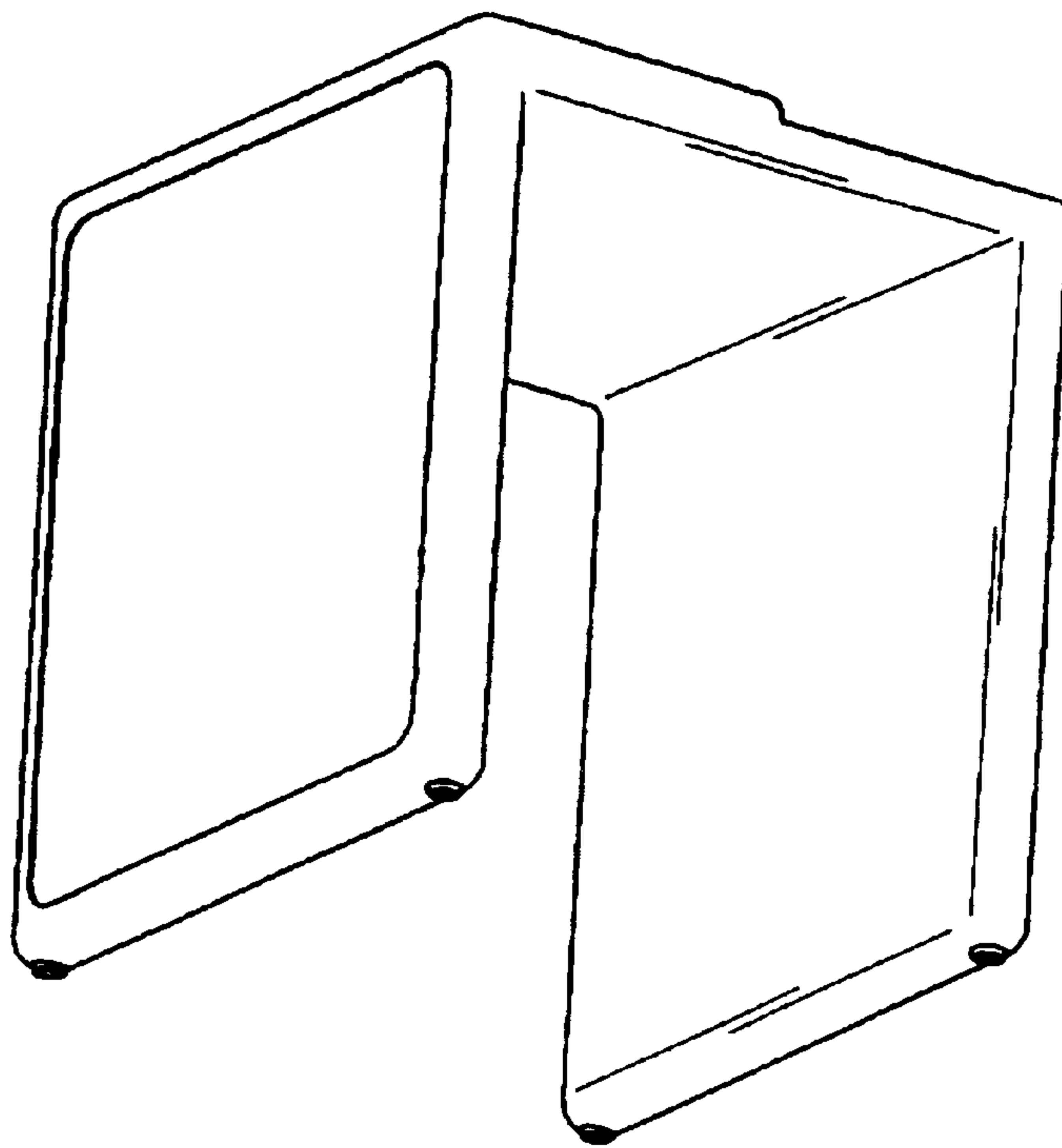


Fig. 2

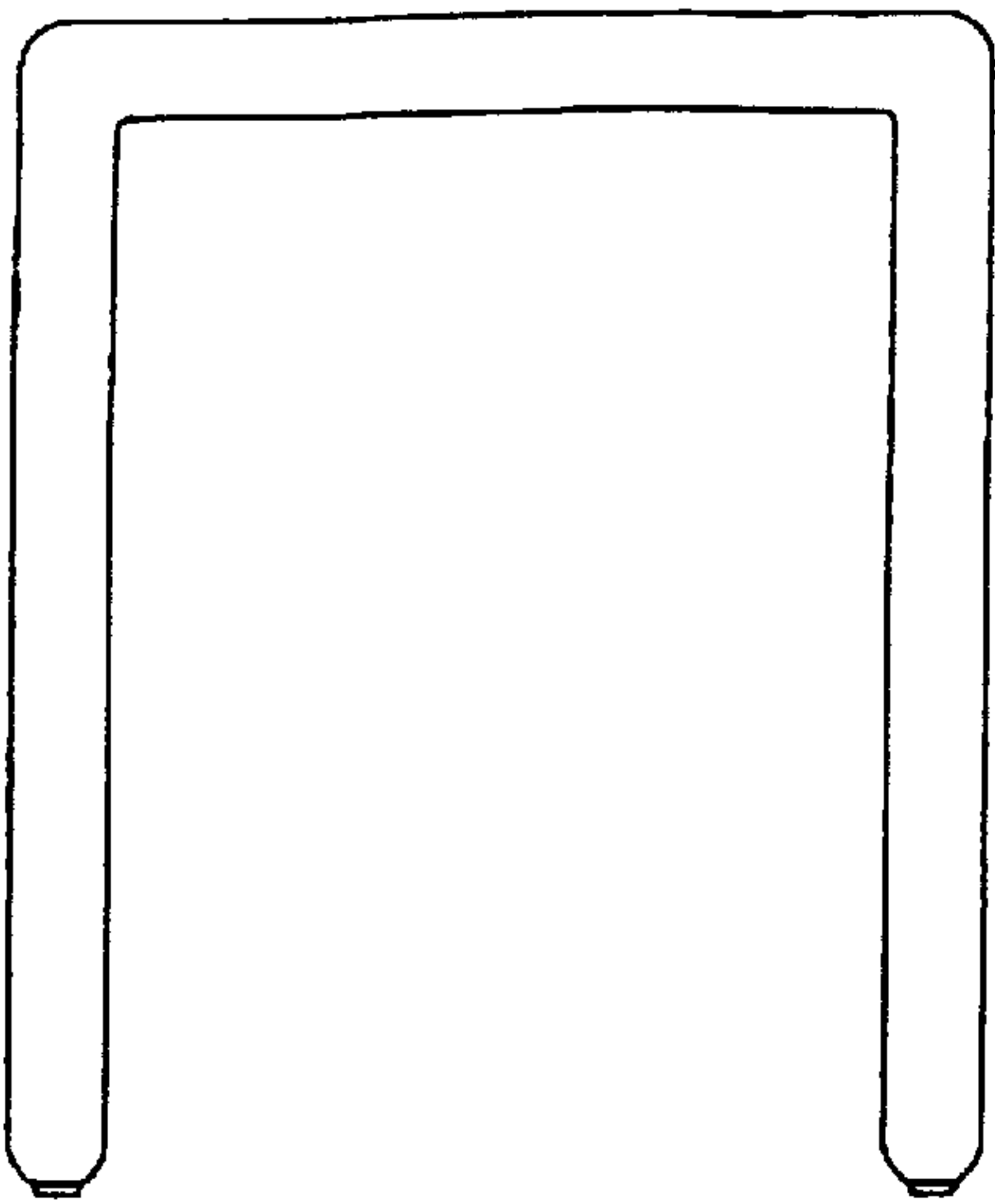


Fig. 3

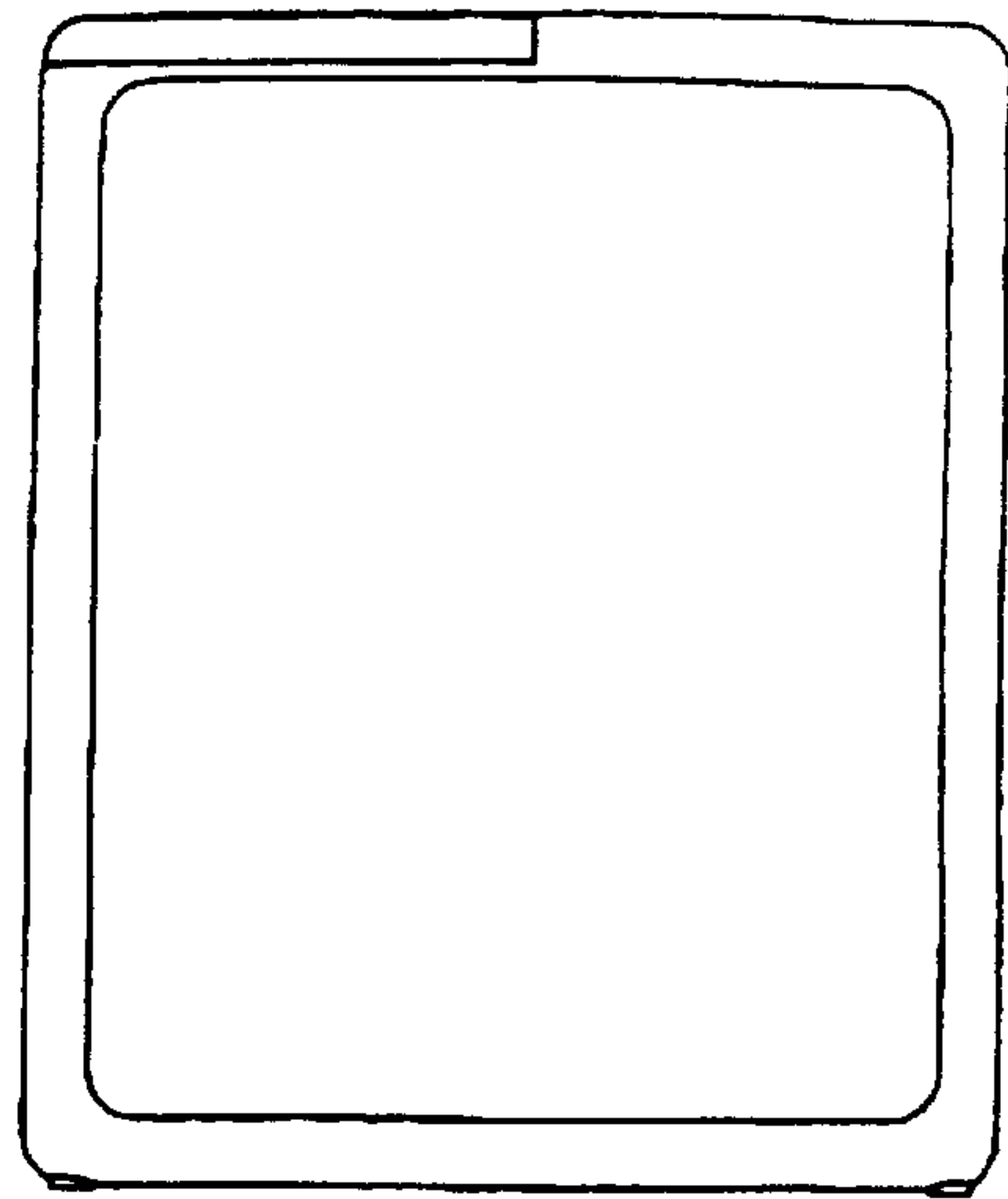


Fig. 7

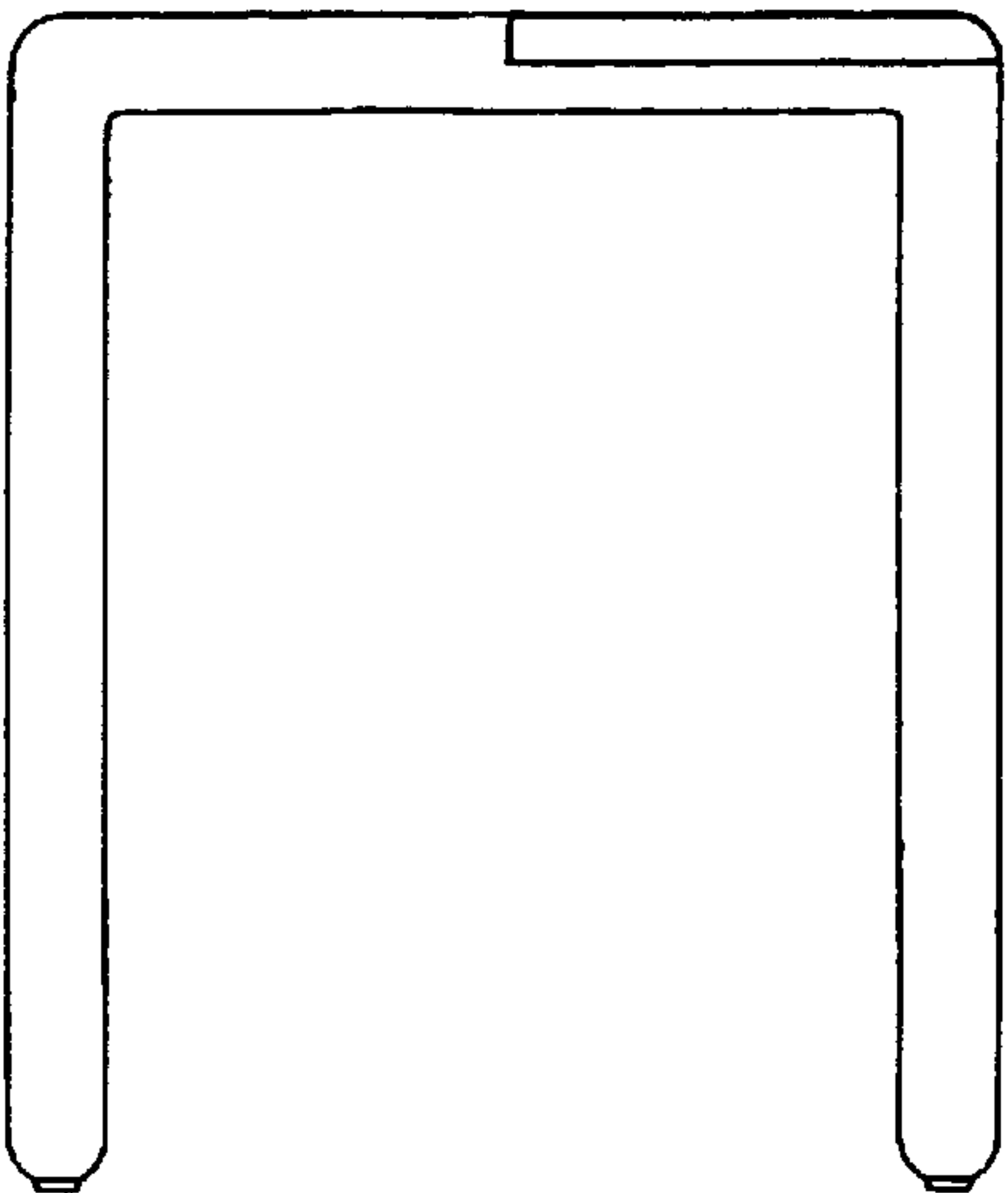


Fig. 4

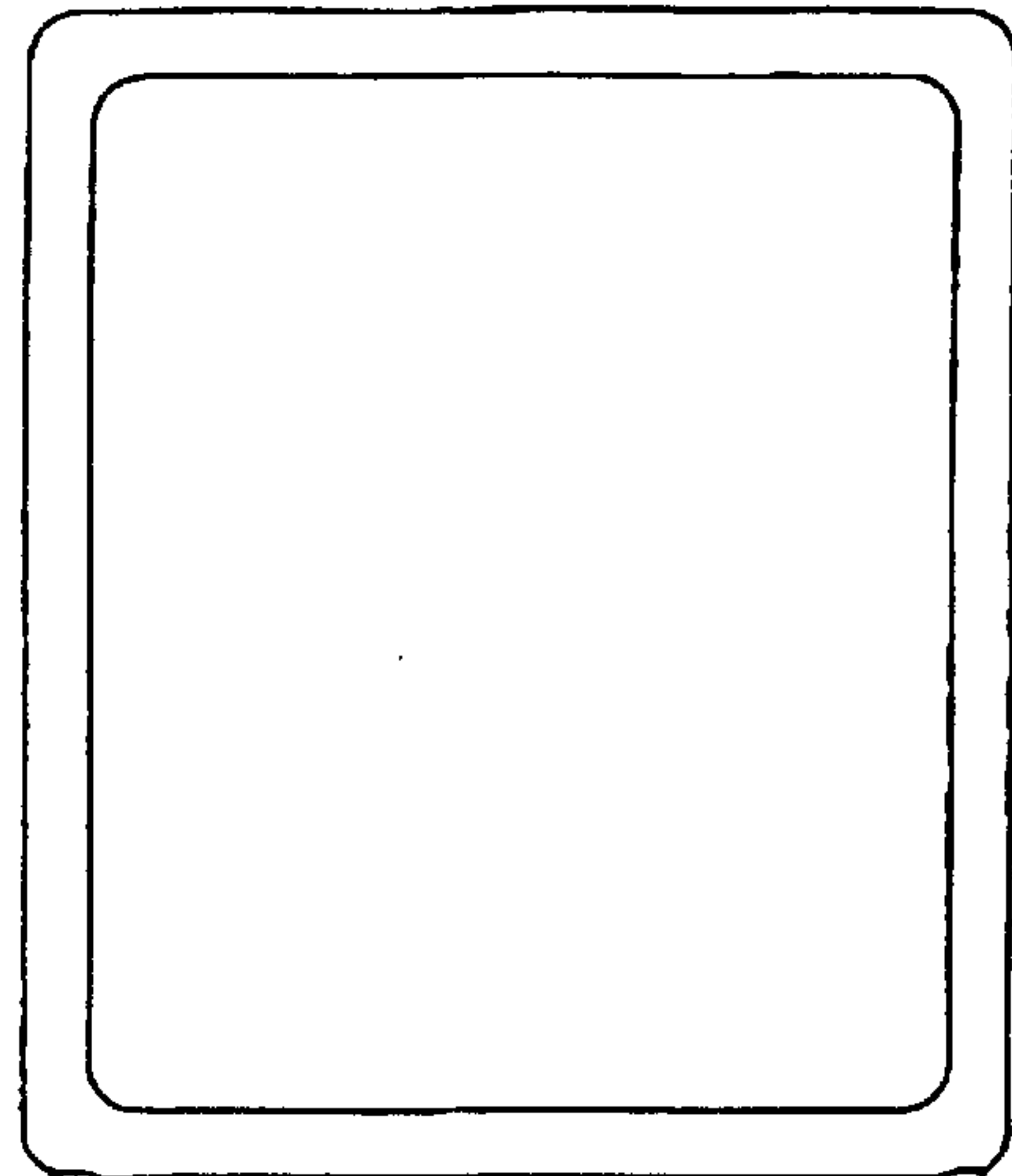


Fig. 8

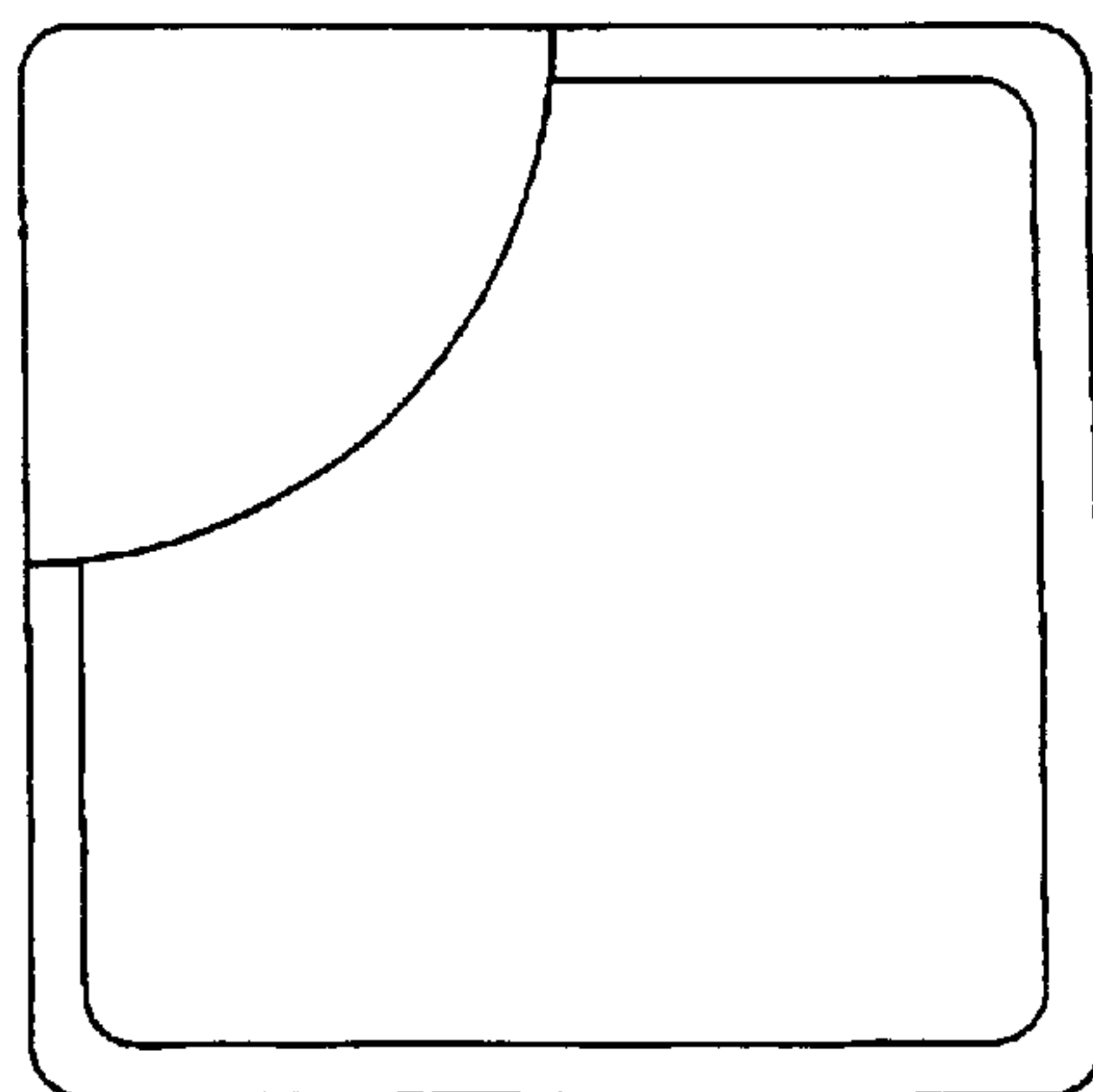


Fig. 5

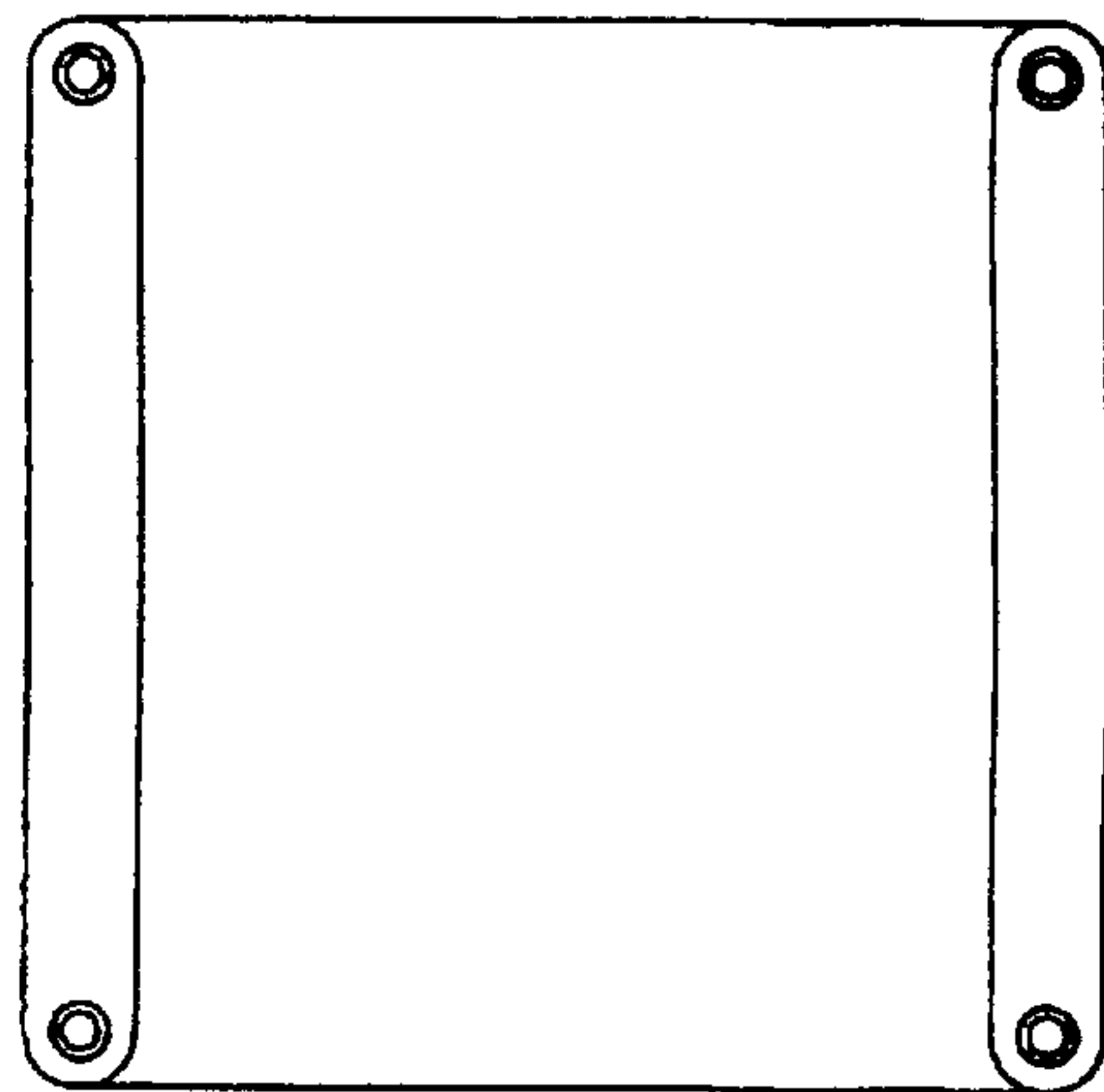


Fig. 6