



US00D488003S

(12) **United States Design Patent**
Malik

(10) **Patent No.:** **US D488,003 S**

(45) **Date of Patent:** **** Apr. 6, 2004**

(54) **SHOE RACK**

D426,977 S 6/2000 White
D431,954 S 10/2000 White
D450,199 S 11/2001 White

(76) Inventor: **Vijay S. Malik**, 4405 Fairmount Ave.,
Kansas City, MO (US) 64111

* cited by examiner

(**) Term: **14 Years**

Primary Examiner—Cathron C. Brooks
(74) *Attorney, Agent, or Firm*—Richard L. Marsh

(21) Appl. No.: **29/177,476**

(22) Filed: **Mar. 11, 2003**

(57) **CLAIM**

The ornamental design for a shoe rack, as shown and described.

Related U.S. Application Data

DESCRIPTION

(60) Division of application No. 29/163,973, filed on Jul. 15, 2002, now Pat. No. Des. 473,733, which is a continuation-in-part of application No. 29/141,800, filed on May 10, 2001, now Pat. No. Des. 461,333.

FIG. 1 is a left upper frontal perspective view of a first embodiment of the design of the shoe rack of this invention. FIG. 2 is a left side elevation view of the design for the shoe rack of FIG. 1, the right side elevation being a mirror image. FIG. 3 is a top plan view of the design for the shoe rack of FIG. 1 and FIG. 8. FIG. 4 is a bottom plan view of the design for the shoe rack of FIG. 1 and FIG. 8. FIG. 5 is a front plan view of the design for the shoe rack of FIG. 1, the rear view being identical. FIG. 6 is a rear plan view of the design for the shoe rack of FIG. 8, the rear view being identical. FIG. 7 is a left side elevation view of the design for the shoe rack of FIG. 8, the right side elevation being a mirror image; and, FIG. 8 is a left frontal perspective view of a second embodiment of the design for a shoe rack of this invention.

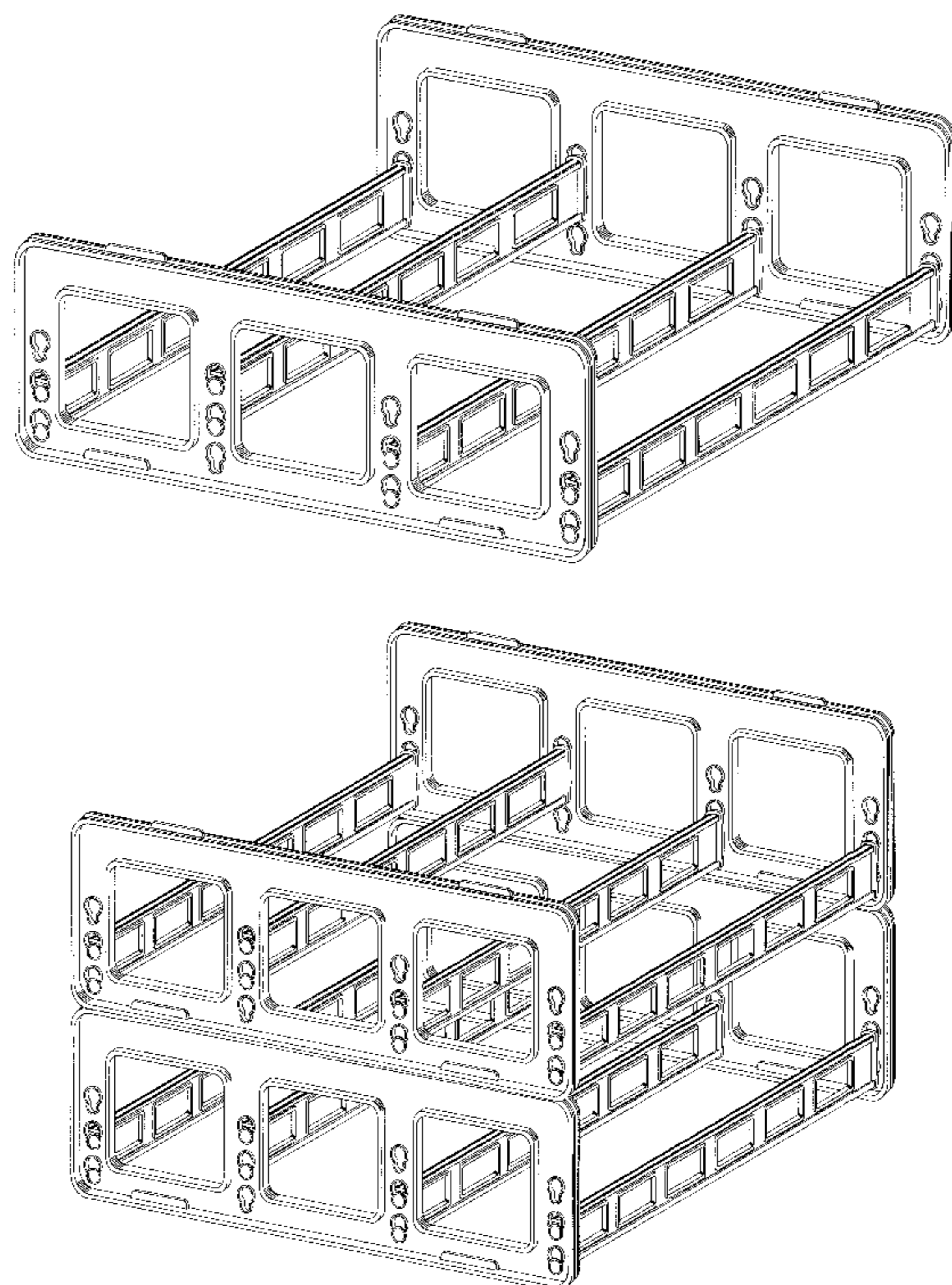
(51) **LOC (7) Cl.** **06-04**
(52) **U.S. Cl.** **D6/465; D6/479; D6/411**
(58) **Field of Search** D6/630, 465, 477,
D6/478, 479, 409-411; 108/1, 3, 59, 60,
93, 94, 96, 147.11, 147.17, 150; 211/85.3,
34, 36, 42, 50, 70, 90.01, 90.04, 115, 144,
163; 312/9.1, 9.47-9.54

(56) **References Cited**

U.S. PATENT DOCUMENTS

D374,359 S * 10/1996 Liu D6/479
D377,728 S * 2/1997 Klein et al. D6/570
5,617,959 A * 4/1997 Klein et al. 211/37
D382,434 S * 8/1997 Klein et al. D6/570
5,992,647 A 11/1999 Malik
D424,320 S * 5/2000 Klein et al. D6/411

1 Claim, 6 Drawing Sheets



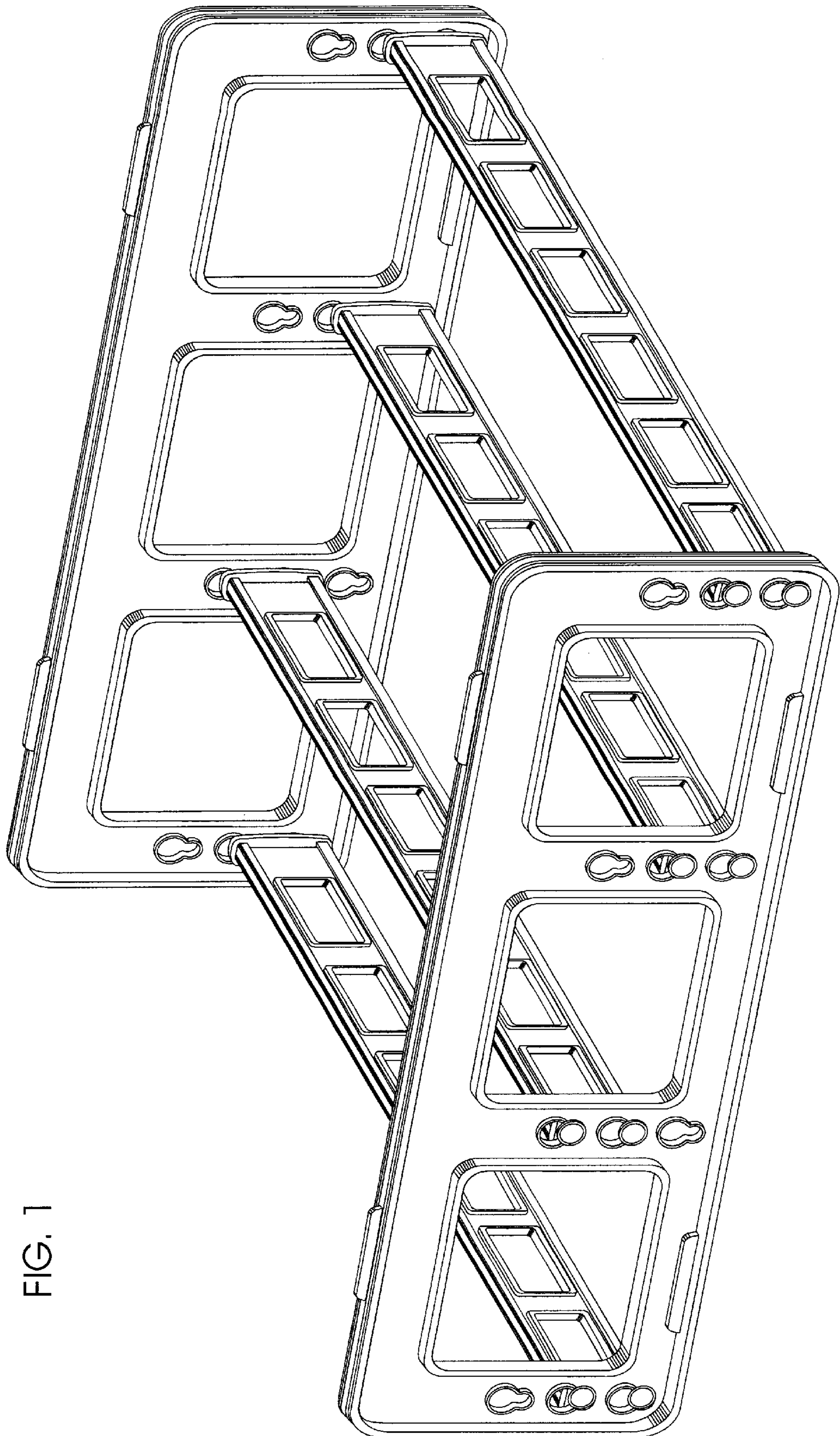
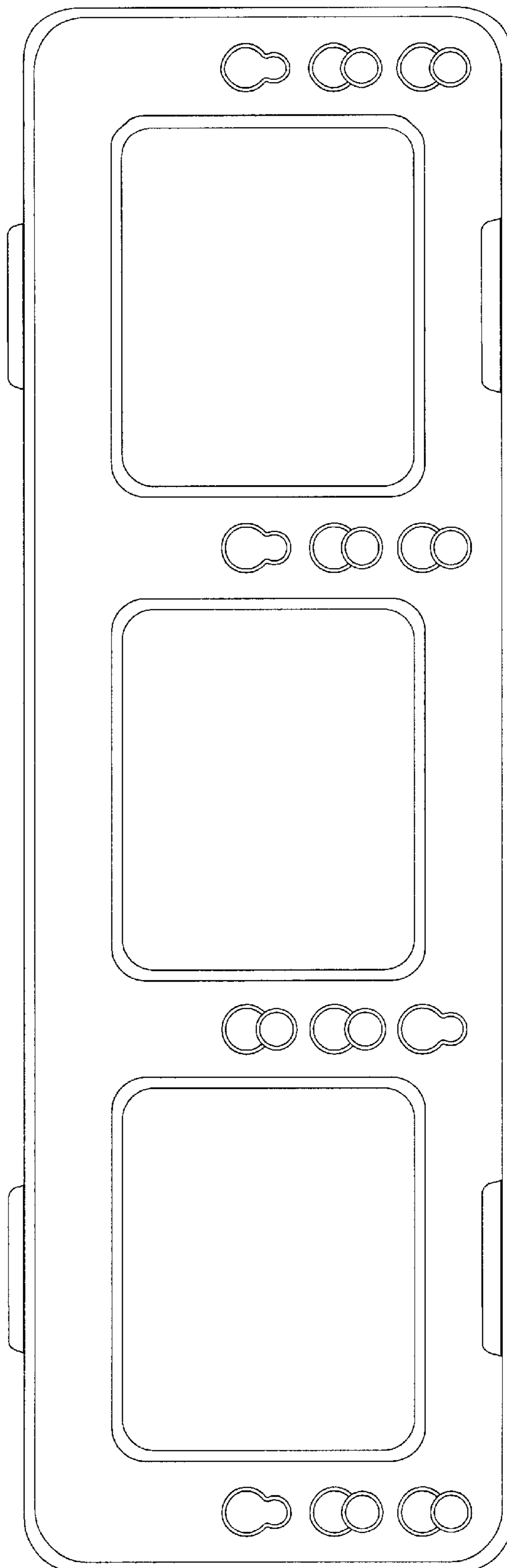


FIG. 1

FIG. 2



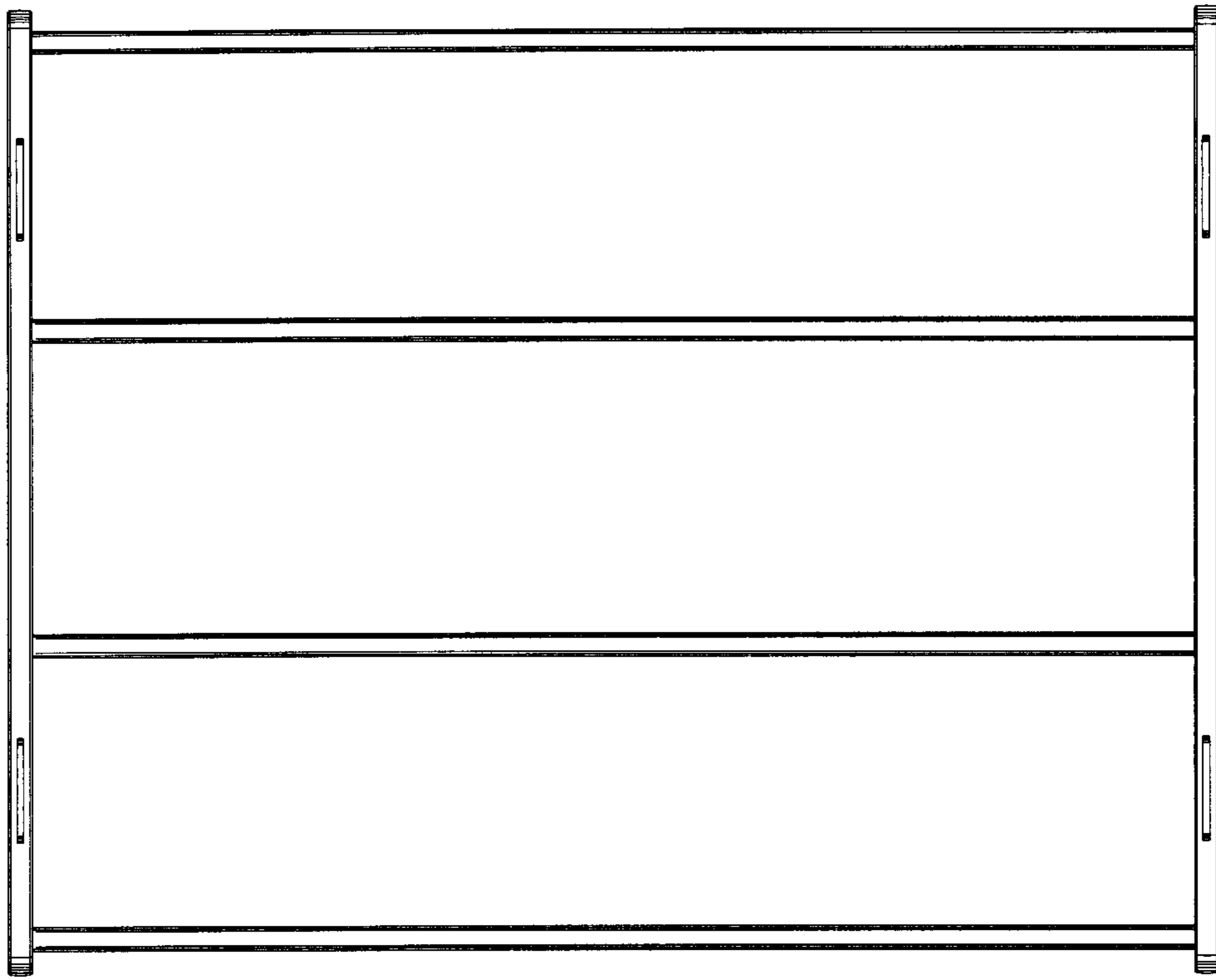


FIG. 3

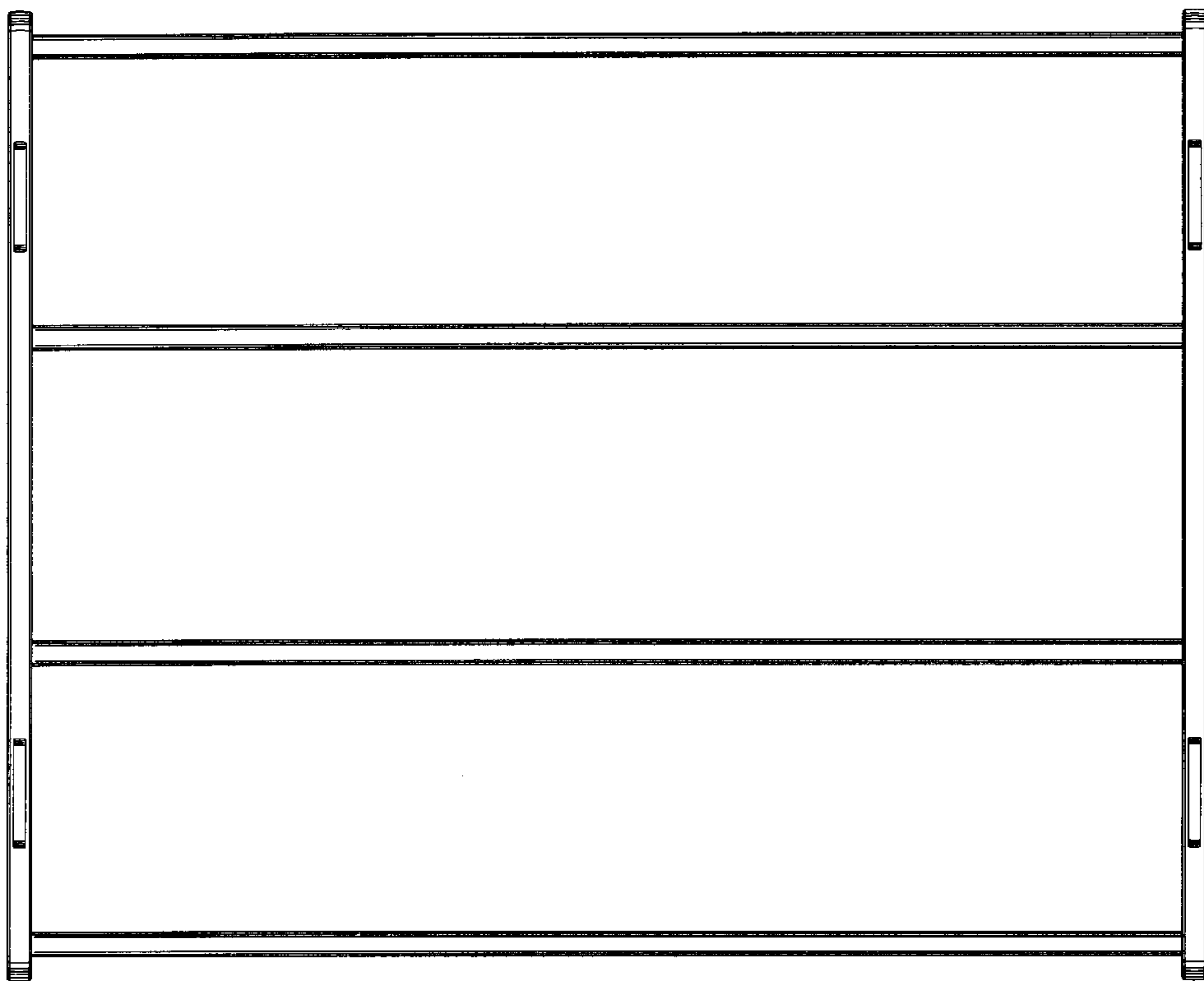


FIG. 4

FIG. 5

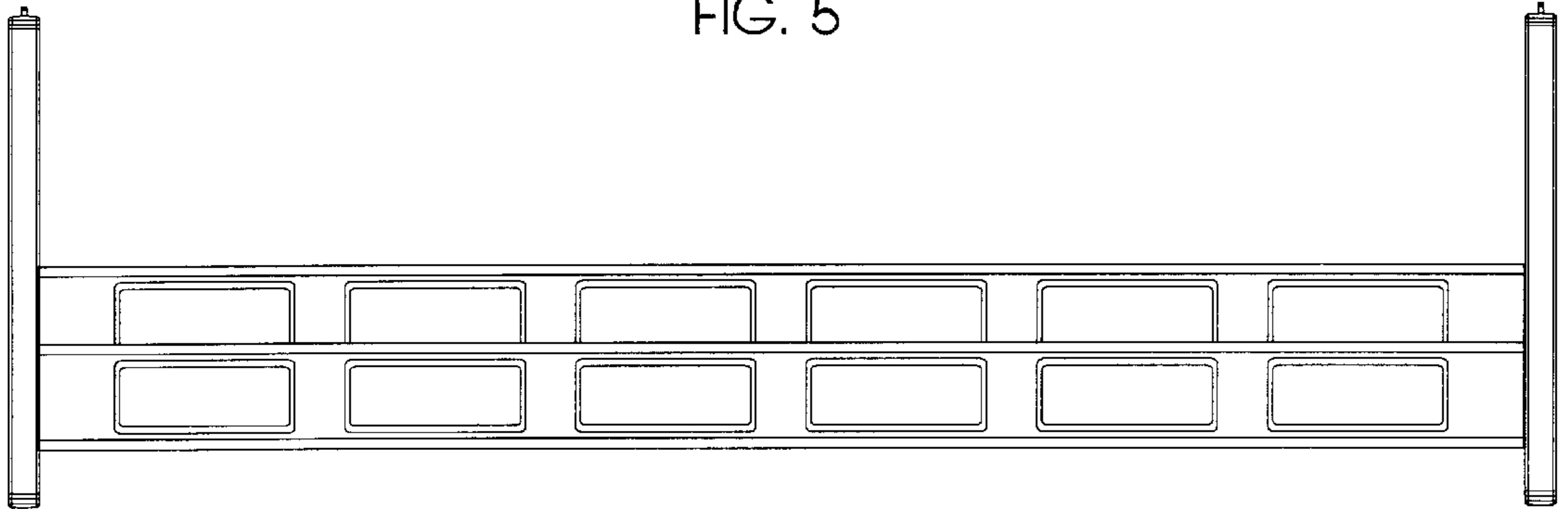


FIG. 6

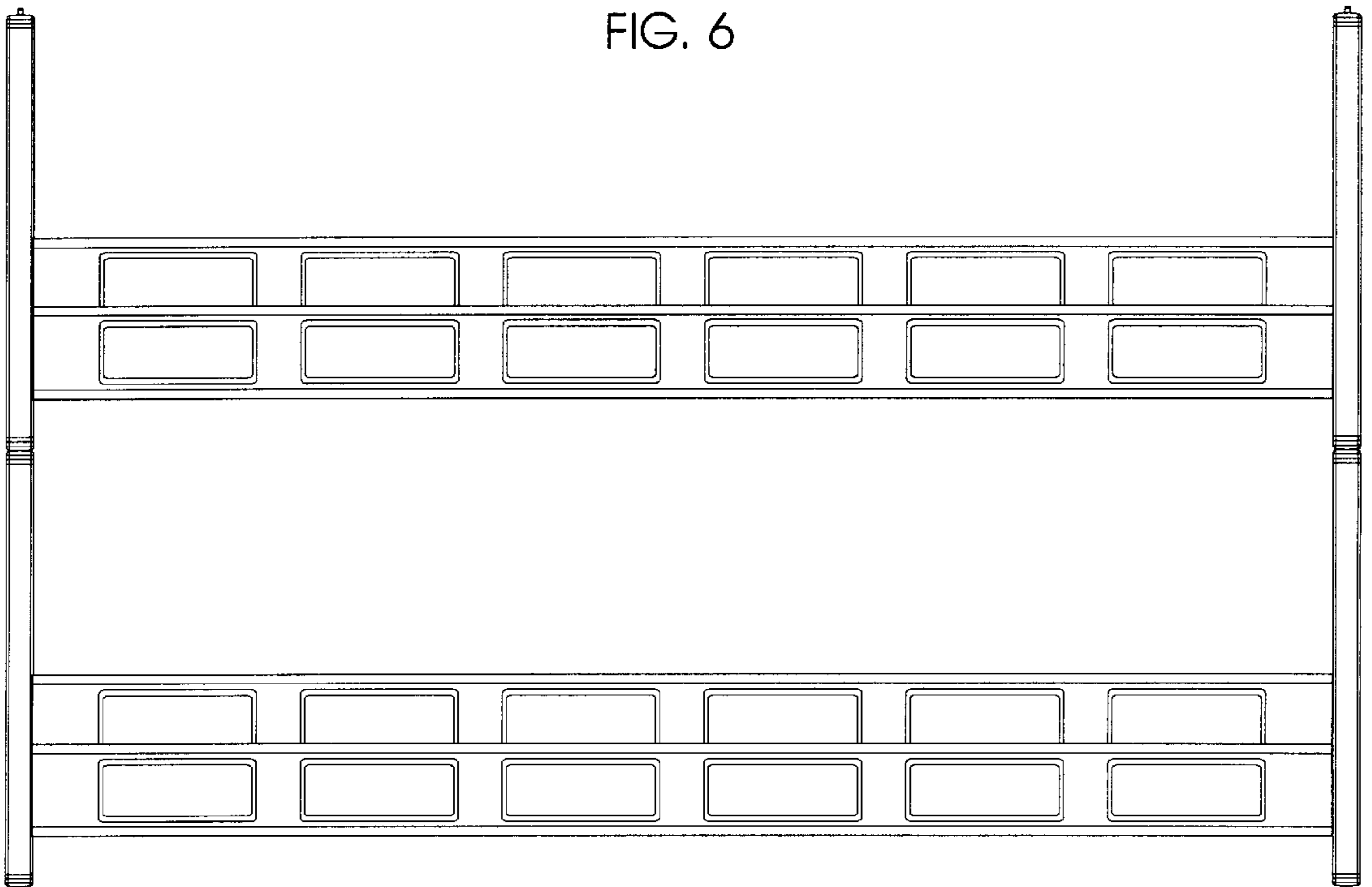
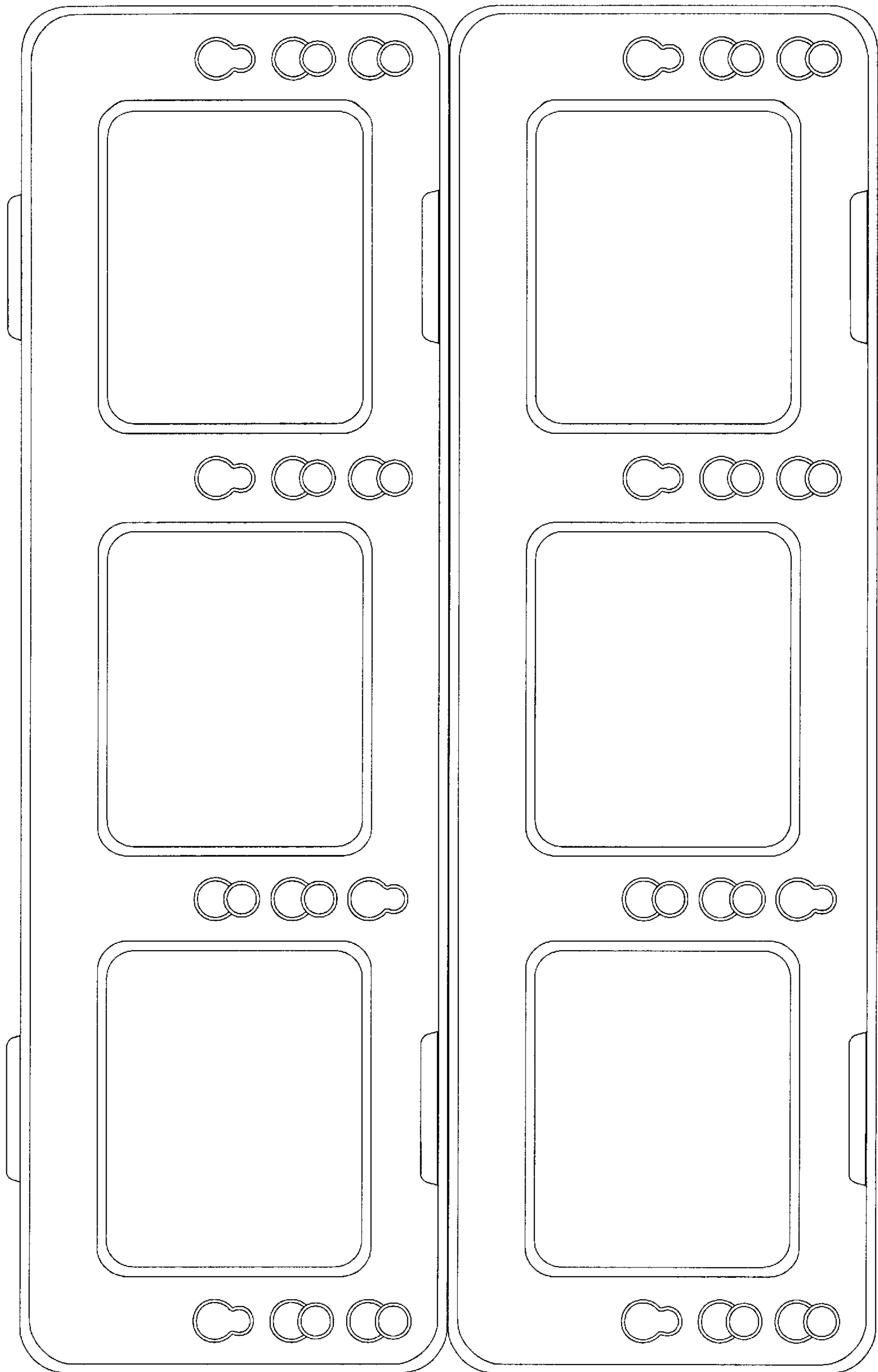


FIG. 7



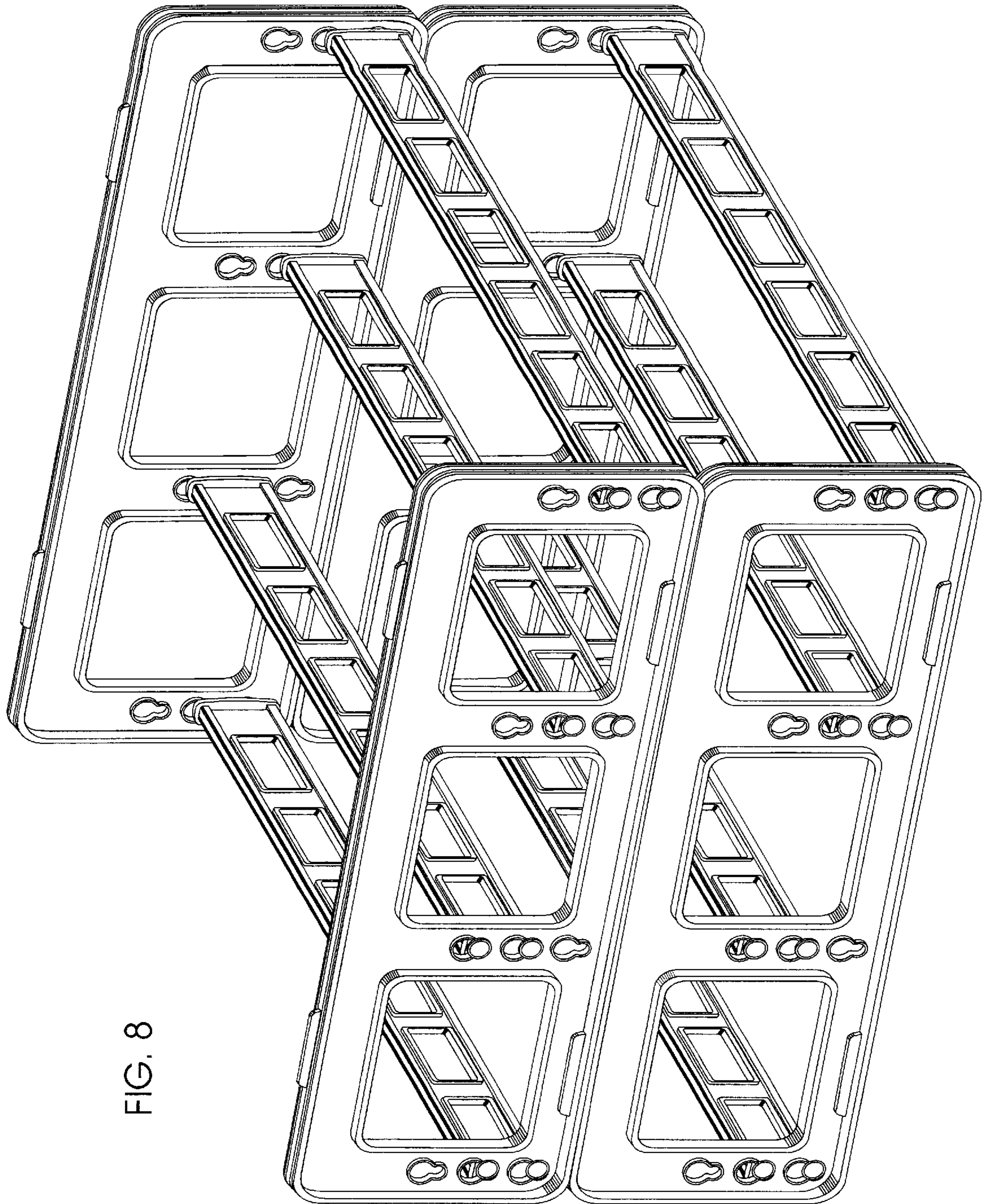


FIG. 8