



US00D487999S

(12) **United States Design Patent**  
**Roser**

(10) **Patent No.:** **US D487,999 S**

(45) **Date of Patent:** **\*\* Apr. 6, 2004**

(54) **BEDSTEAD**

(75) Inventor: **John L. Roser**, High Point, NC (US)

(73) Assignee: **Woodstuff Manufacturing, Inc.**,  
Phoenix, AZ (US)

(\*\*) Term: **14 Years**

(21) Appl. No.: **29/165,205**

(22) Filed: **Aug. 6, 2002**

(51) **LOC (7) Cl.** ..... **06-01**

(52) **U.S. Cl.** ..... **D6/393**

(58) **Field of Search** ..... D6/382-388, 393-395,  
D6/505-508; 5/53.1, 279.1, 280, 281

(56) **References Cited**

**U.S. PATENT DOCUMENTS**

|            |   |         |                 |       |        |
|------------|---|---------|-----------------|-------|--------|
| D366,162 S | * | 1/1996  | Paus            | ..... | D6/393 |
| D418,691 S | * | 1/2000  | O'Hare          | ..... | D6/389 |
| D441,560 S | * | 5/2001  | McDaniel et al. | ..... | D6/393 |
| D458,472 S | * | 6/2002  | Risdon          | ..... | D6/393 |
| D462,847 S | * | 9/2002  | Risdon          | ..... | D6/393 |
| D465,682 S |   | 11/2002 | Prevost         | ..... | D6/505 |

**OTHER PUBLICATIONS**

Poster Headboard and Footboard, Covington Series 8488, Samuel Lawrence Furniture Company, available as of filing date.

\* cited by examiner

*Primary Examiner*—Janice E. Seeger

(74) *Attorney, Agent, or Firm*—Womble Carlyle Sandridge & Rice, PLLC

(57) **CLAIM**

The ornamental design for a bedstead, as shown and described.

**DESCRIPTION**

FIG. 1 is a left front perspective view of a bedstead showing my new design;

FIG. 2 is a front elevational view thereof;

FIG. 3 is a side elevational view of the headboard section, the opposite side being a mirror image thereof;

FIG. 4 is a side elevational view of the footboard section, the opposite side being a mirror image thereof;

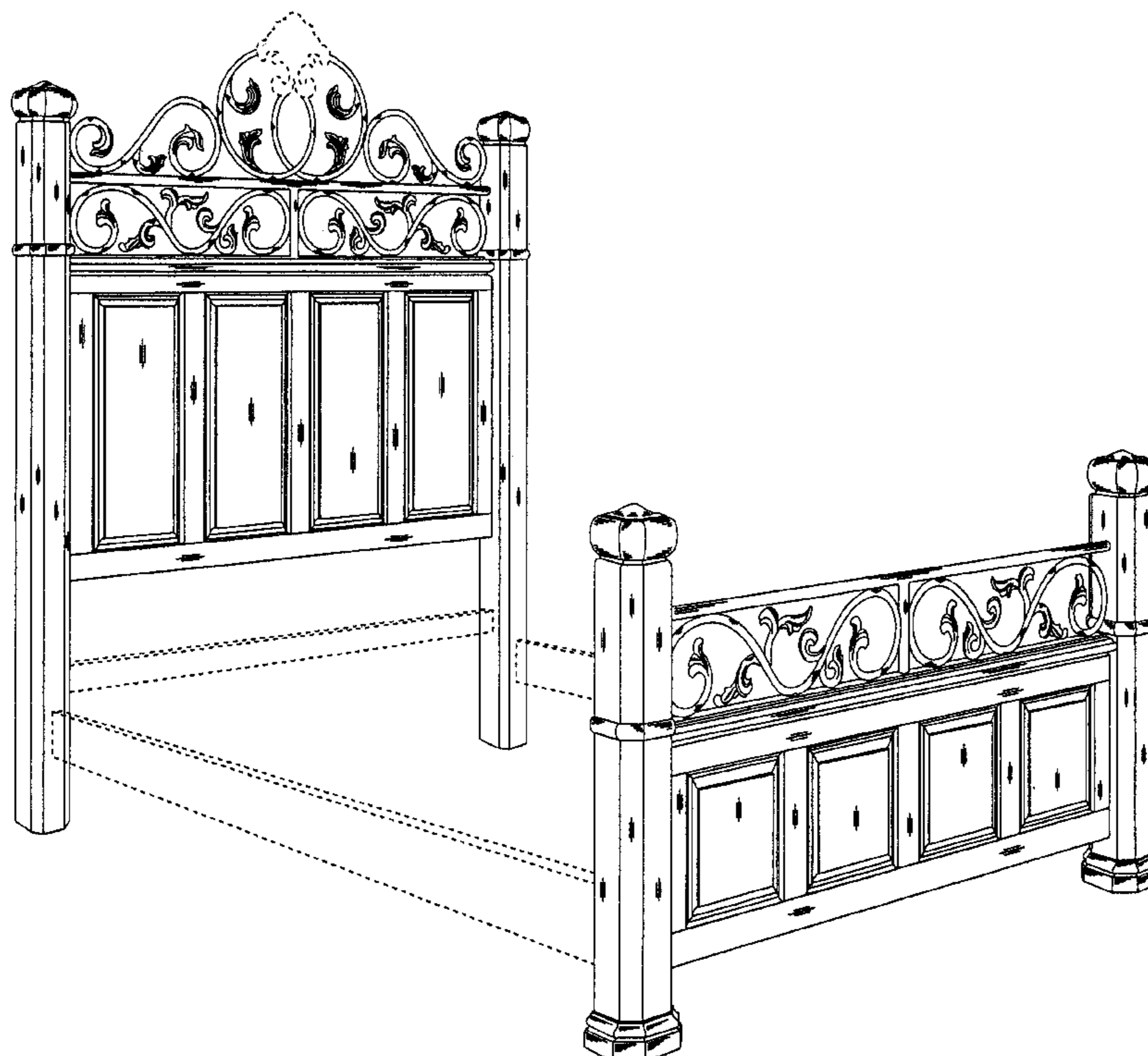
FIG. 5 is a top view of the footboard section thereof;

FIG. 6 is a rear perspective view of the footboard section thereof; and,

FIG. 7 is a front elevational view of the headboard section thereof.

The views of the bedstead not shown form no part of the claimed design. The dashed lines depicting ornamental elements in headboard and bed rails represent environmental elements only and form no part of the claimed design.

**1 Claim, 6 Drawing Sheets**



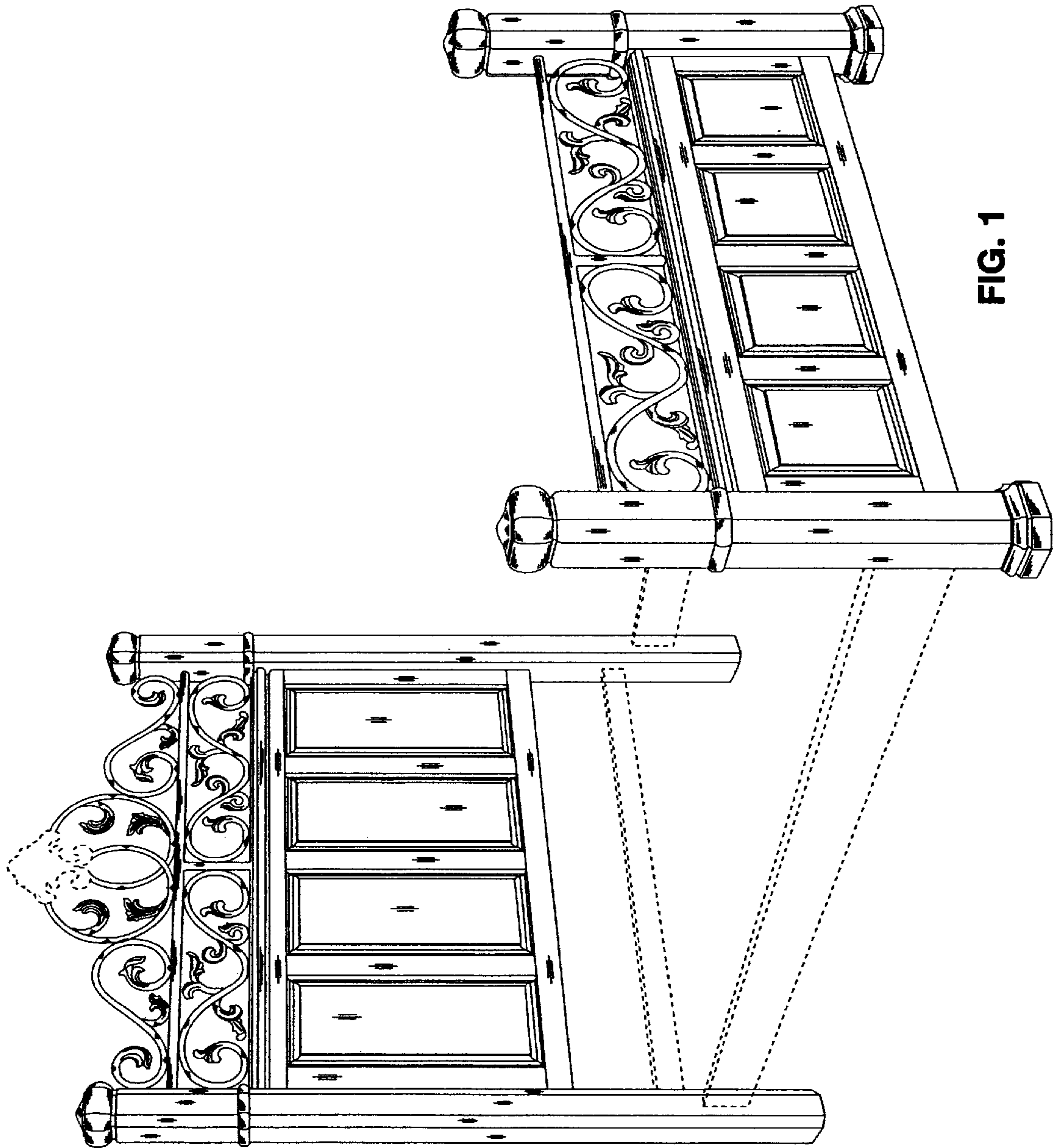


FIG. 1

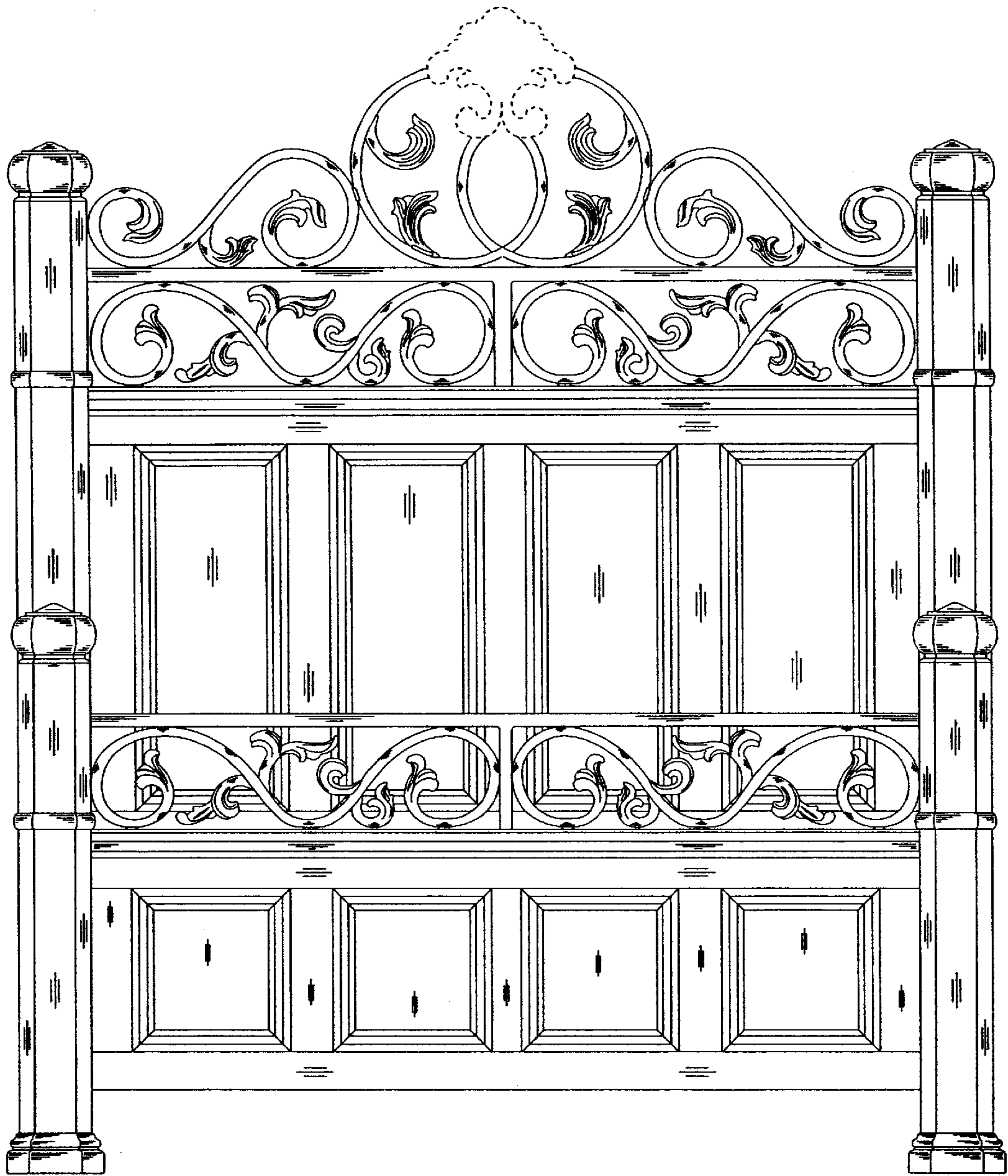


FIG. 2

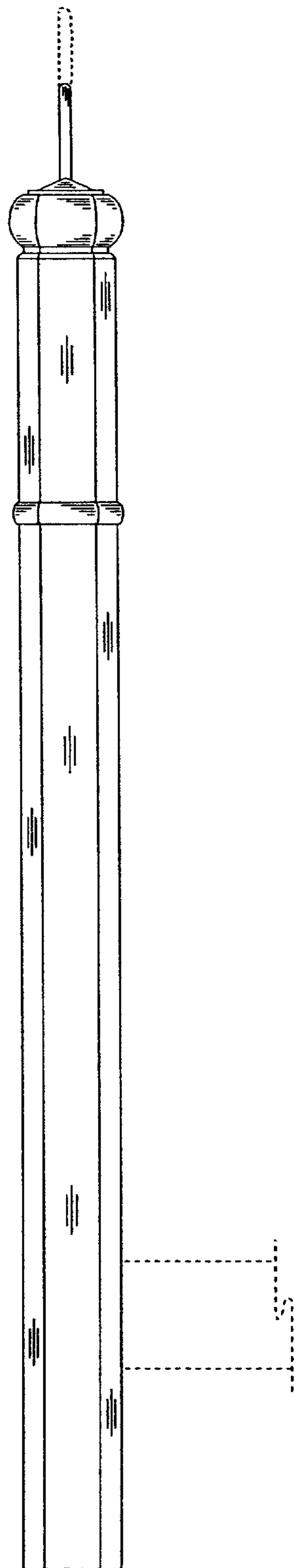


FIG. 3

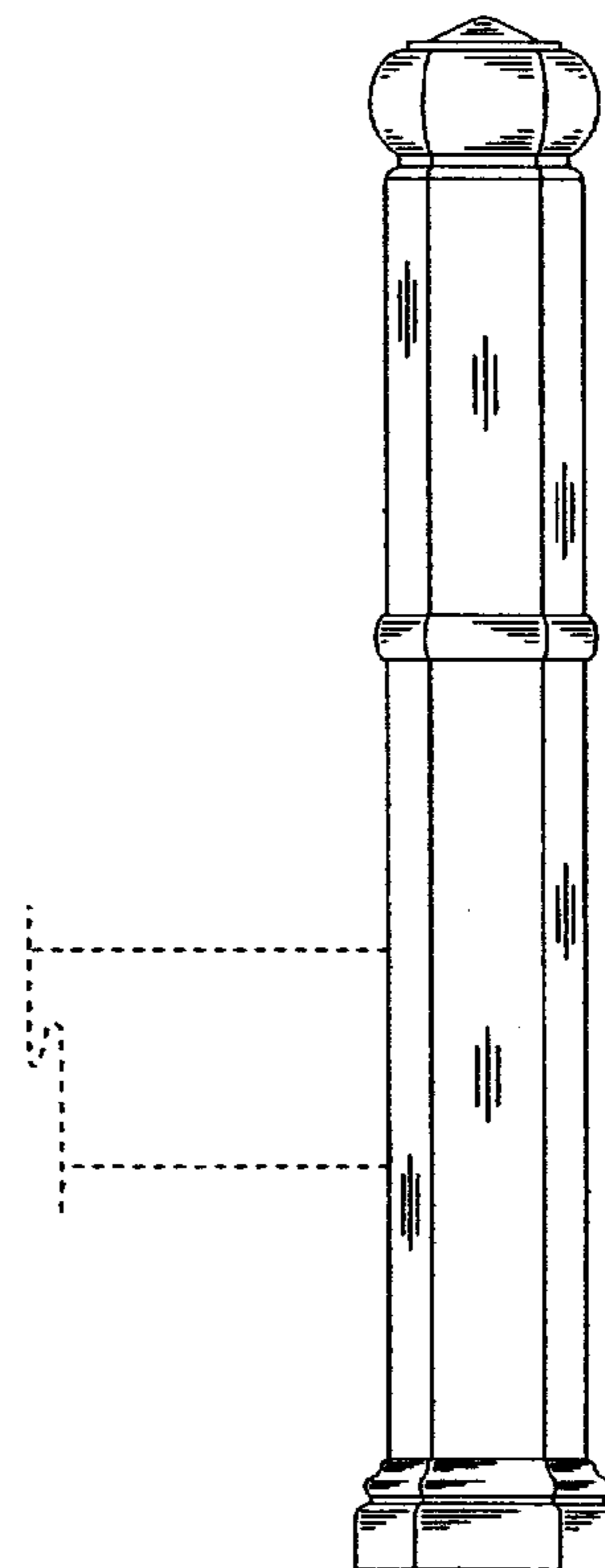


FIG. 4



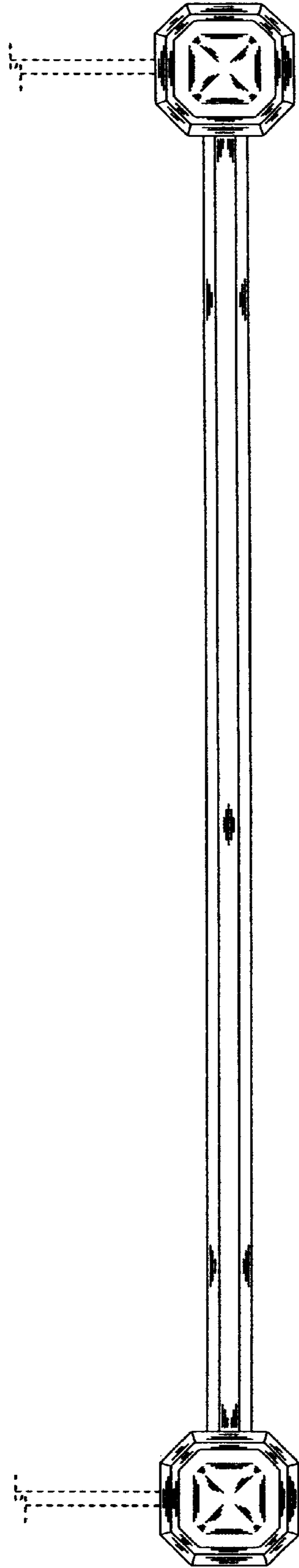


FIG. 5

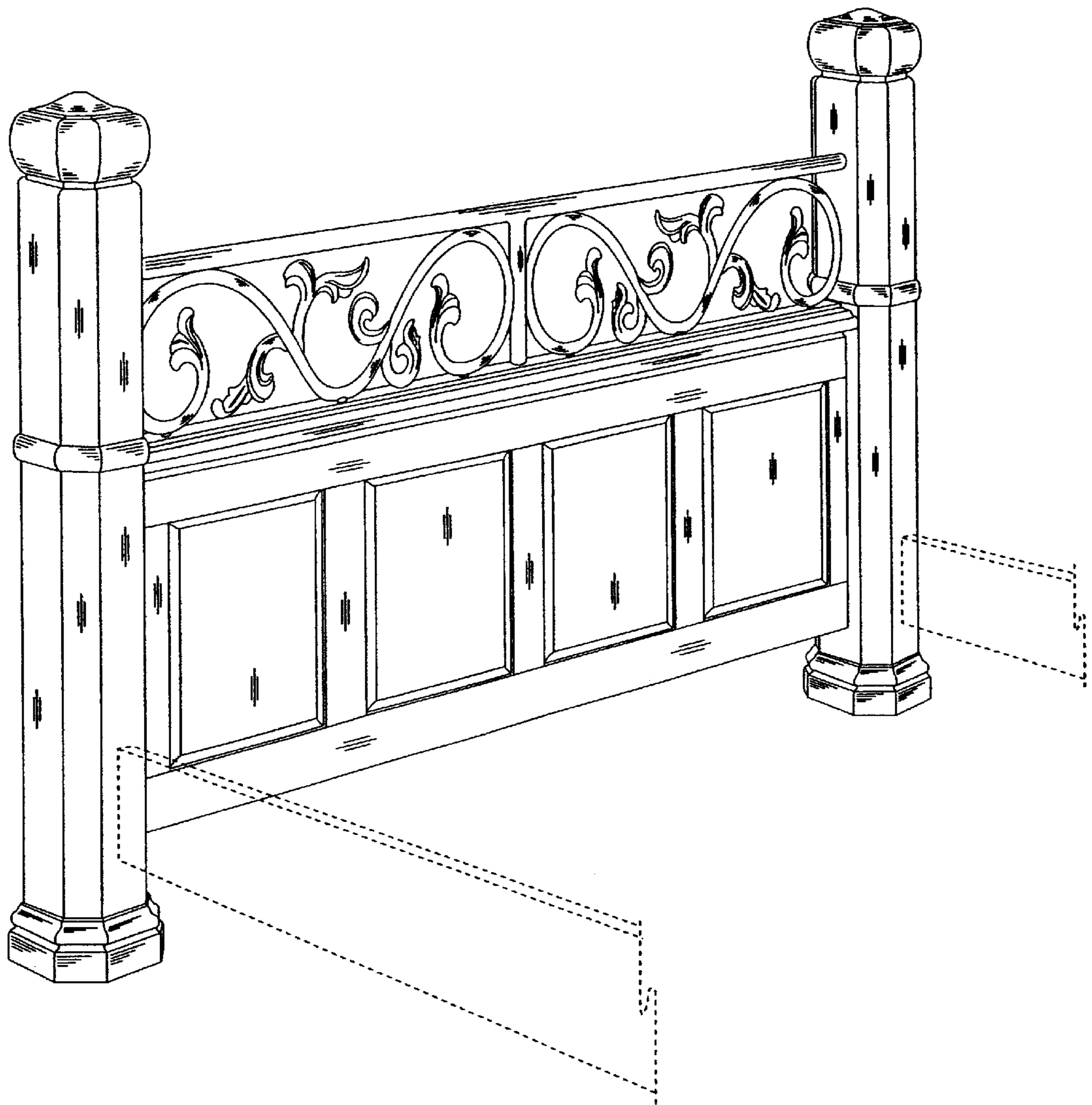


FIG. 6

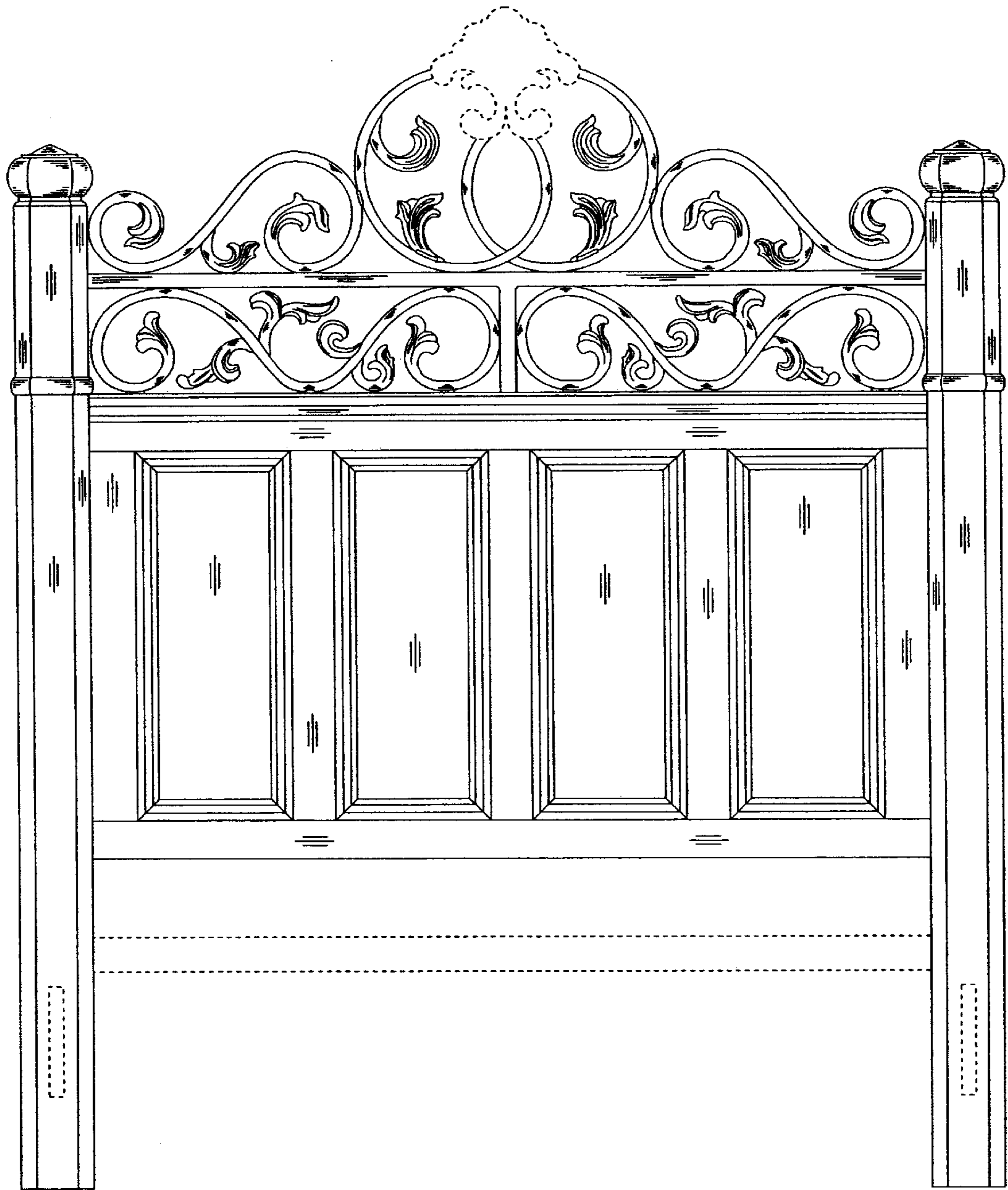


FIG. 7