



US00D487983S

(12) **United States Design Patent**  
**Muller**

(10) **Patent No.:** **US D487,983 S**

(45) **Date of Patent:** **\*\* Apr. 6, 2004**

(54) **BARSTOOL**

(75) **Inventor:** **Carl Muller**, Huntington Beach, CA  
(US)

(73) **Assignee:** **Elite Manufacturing Corp.**, Santa Fe  
Springs, CA (US)

(\*\*) **Term:** **14 Years**

(21) **Appl. No.:** **29/182,384**

(22) **Filed:** **May 22, 2003**

(51) **LOC (7) Cl.** ..... **06-01**

(52) **U.S. Cl.** ..... **D6/360**

(58) **Field of Search** ..... D6/334, 335, 360,  
D6/364, 374, 379, 500, 501, 502; 297/445.1,  
451.4, 451.5, 461

(56) **References Cited**

**U.S. PATENT DOCUMENTS**

D59,223 S \* 10/1921 Headley ..... D6/374  
D182,174 S \* 2/1958 Gelman ..... D6/379

D313,896 S \* 1/1991 Kaye ..... D6/365  
D444,636 S \* 7/2001 Ooyama ..... D6/360  
D455,303 S \* 4/2002 Ooyama ..... D6/500  
D457,006 S \* 5/2002 Ooyama ..... D6/360

\* cited by examiner

*Primary Examiner*—Gary D. Watson

(74) *Attorney, Agent, or Firm*—George W. Finch

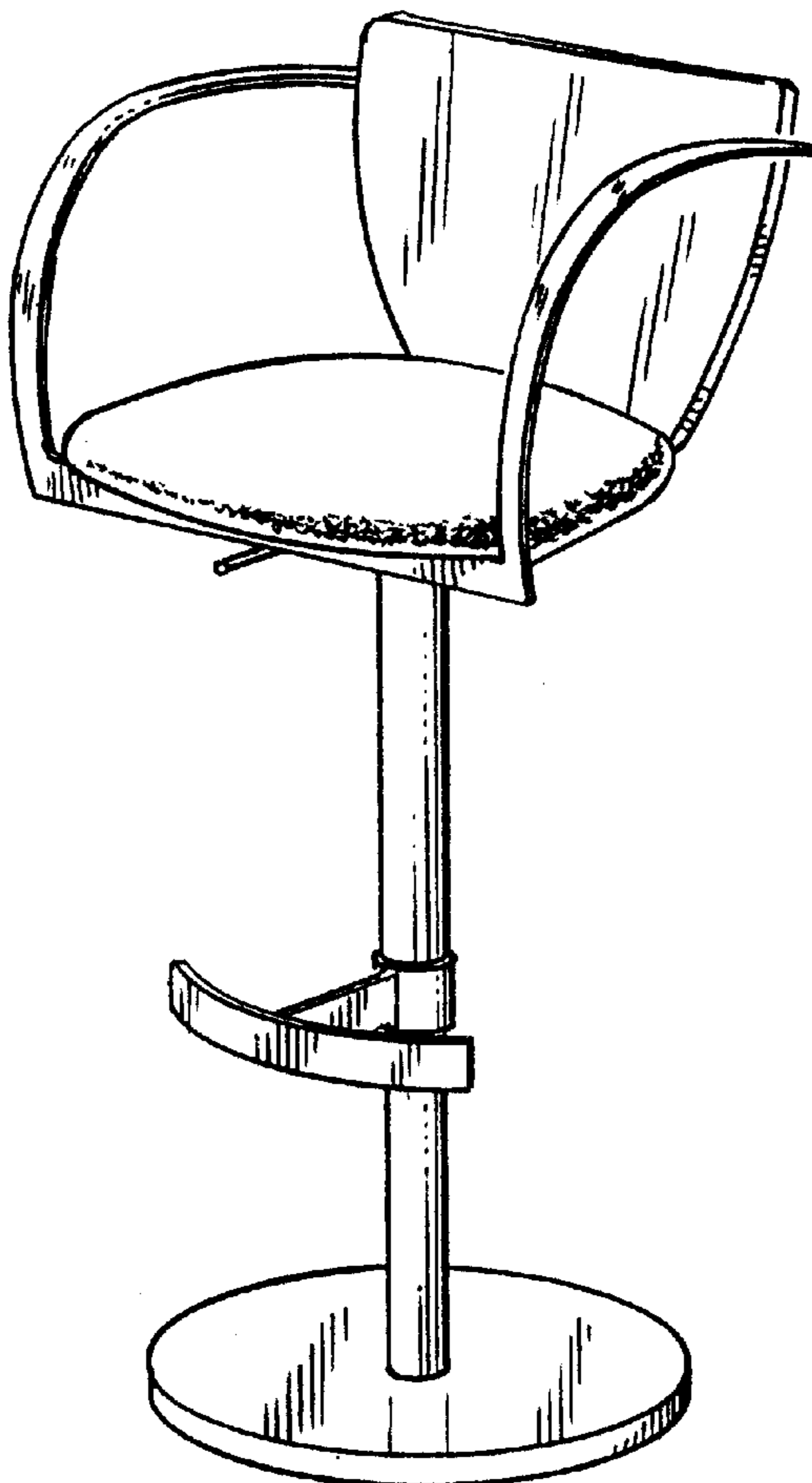
(57) **CLAIM**

The ornamental design for a barstool, as shown.

**DESCRIPTION**

FIG. 1 is a perspective view showing the front side, left side, and top of the ornamental design;  
FIG. 2 is a front elevational view of the same;  
FIG. 3 is a back view of the same;  
FIG. 4 is a right side elevational view of the same;  
FIG. 5 is a left side elevational view of the same;  
FIG. 6 is a top plan view of the same; and,  
FIG. 7 is an underside view of the same.

**1 Claim, 2 Drawing Sheets**



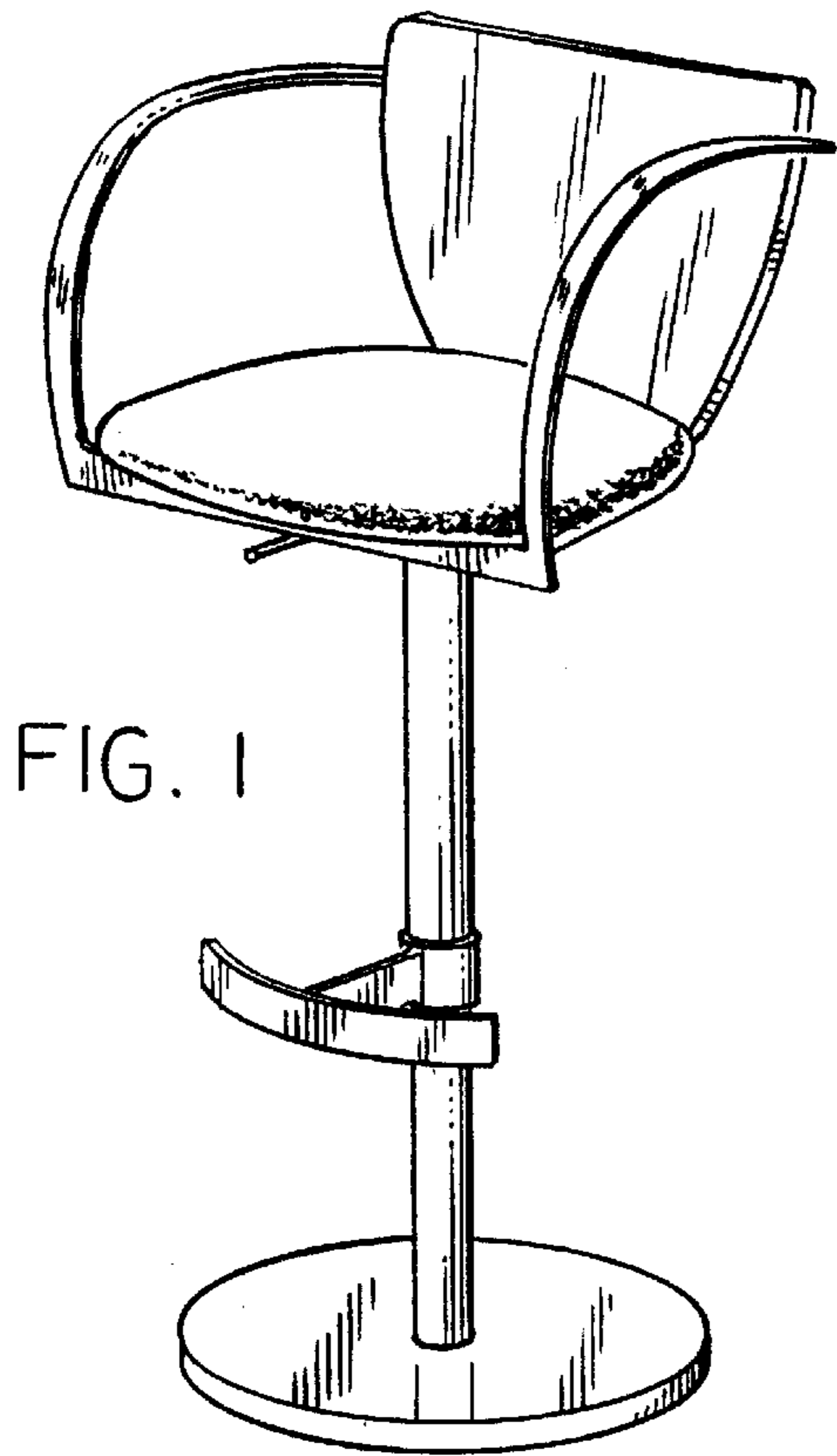


FIG. 1

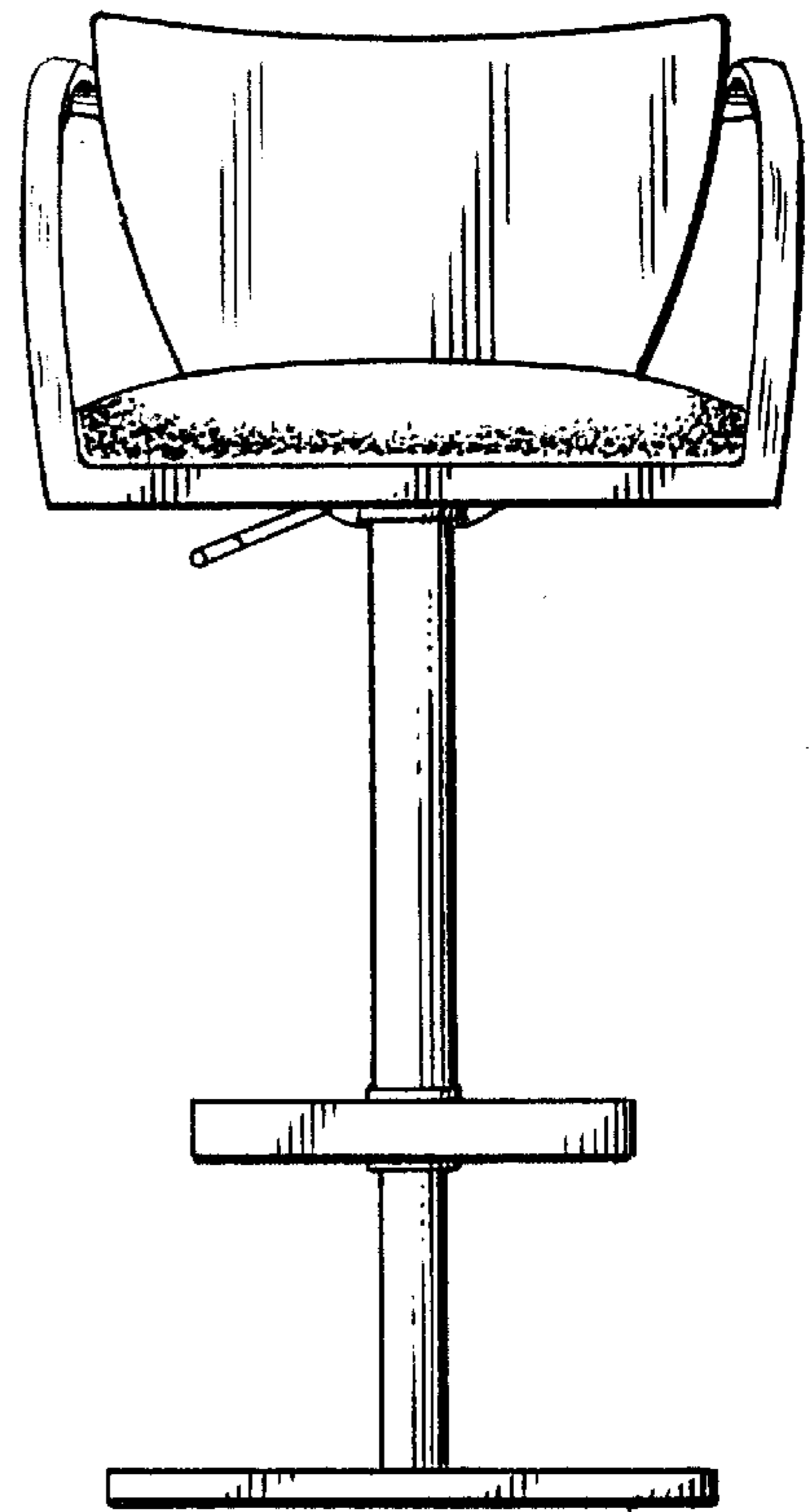


FIG. 2

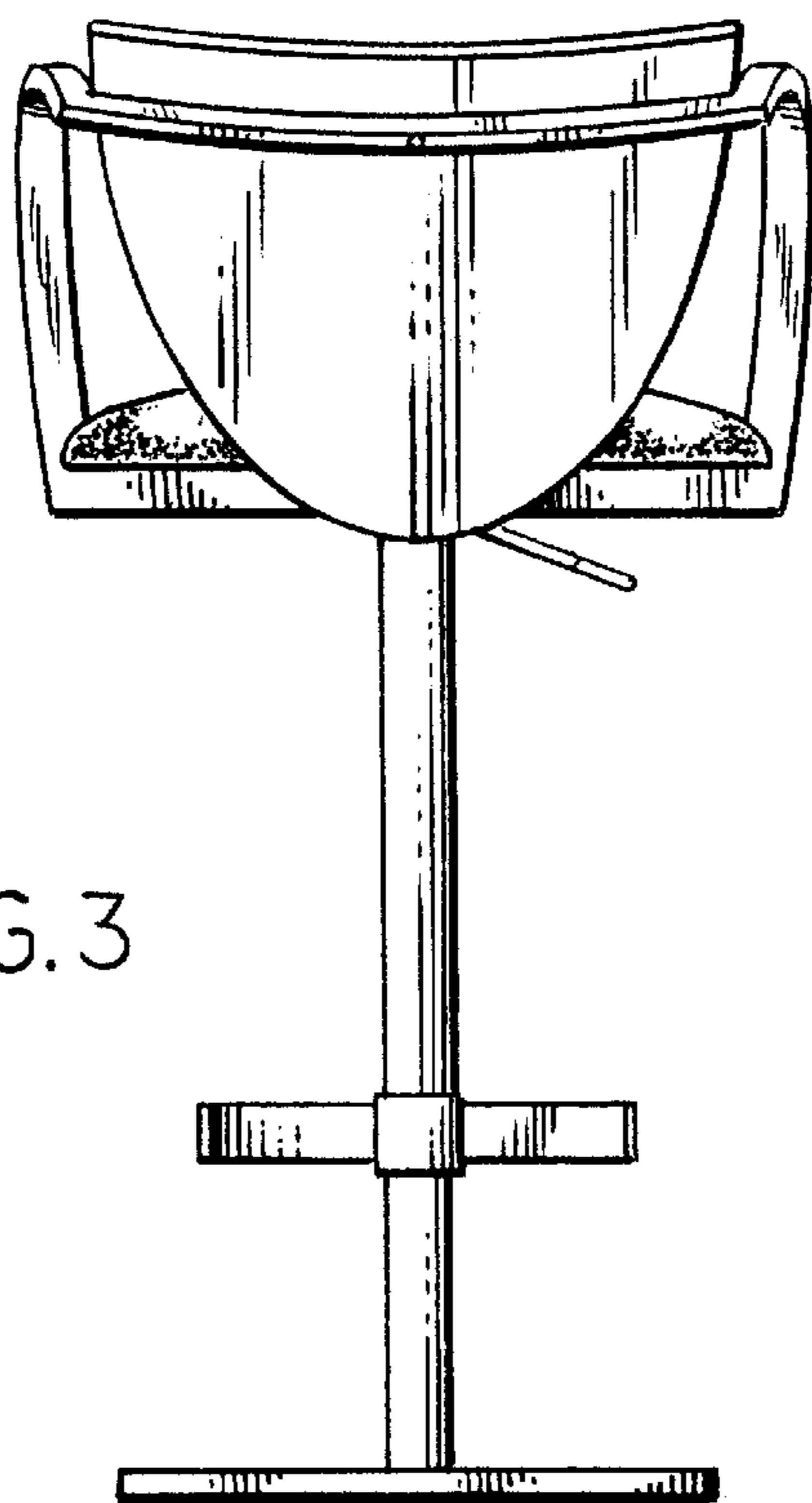


FIG. 3

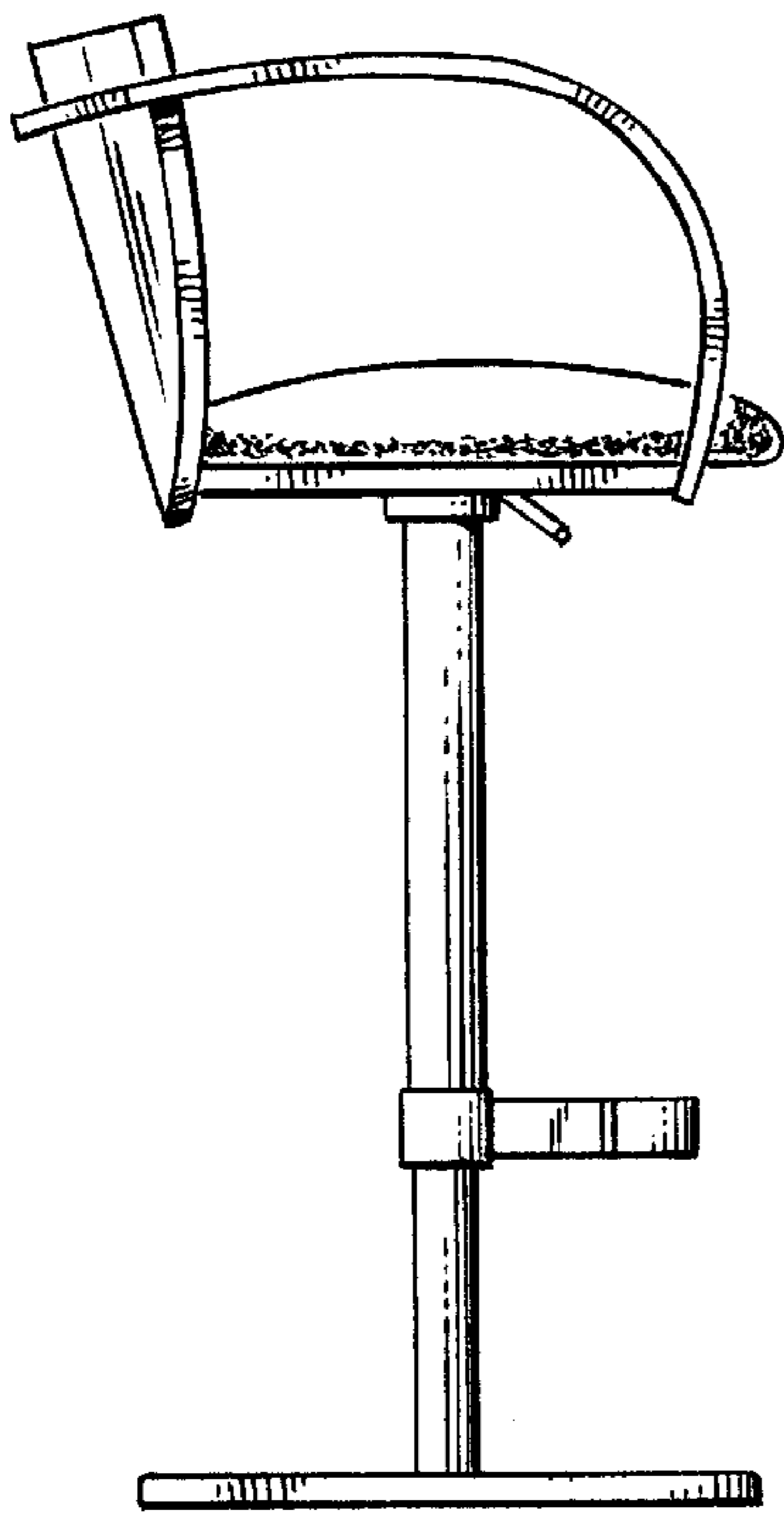


FIG. 4

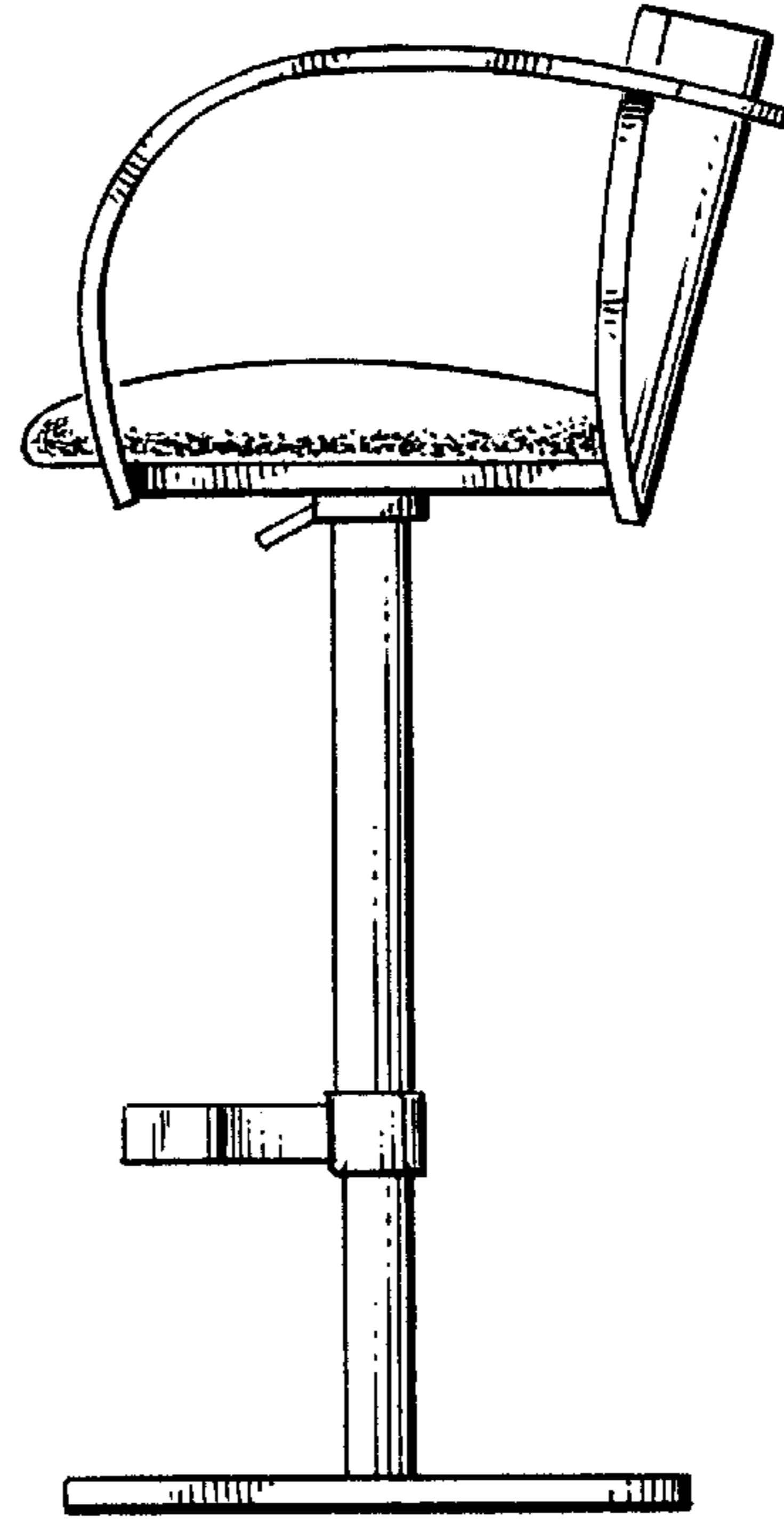


FIG. 5

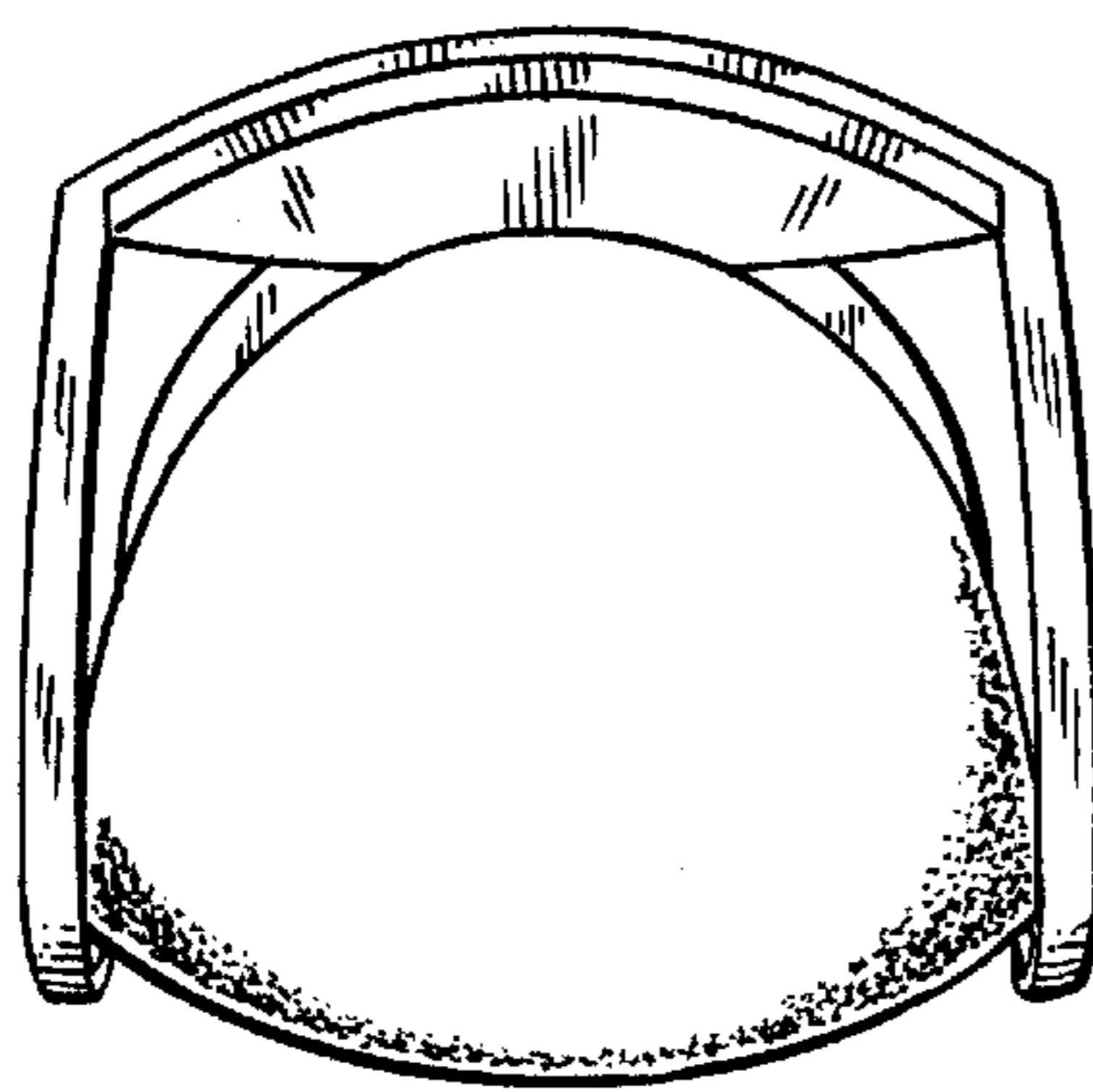


FIG. 6

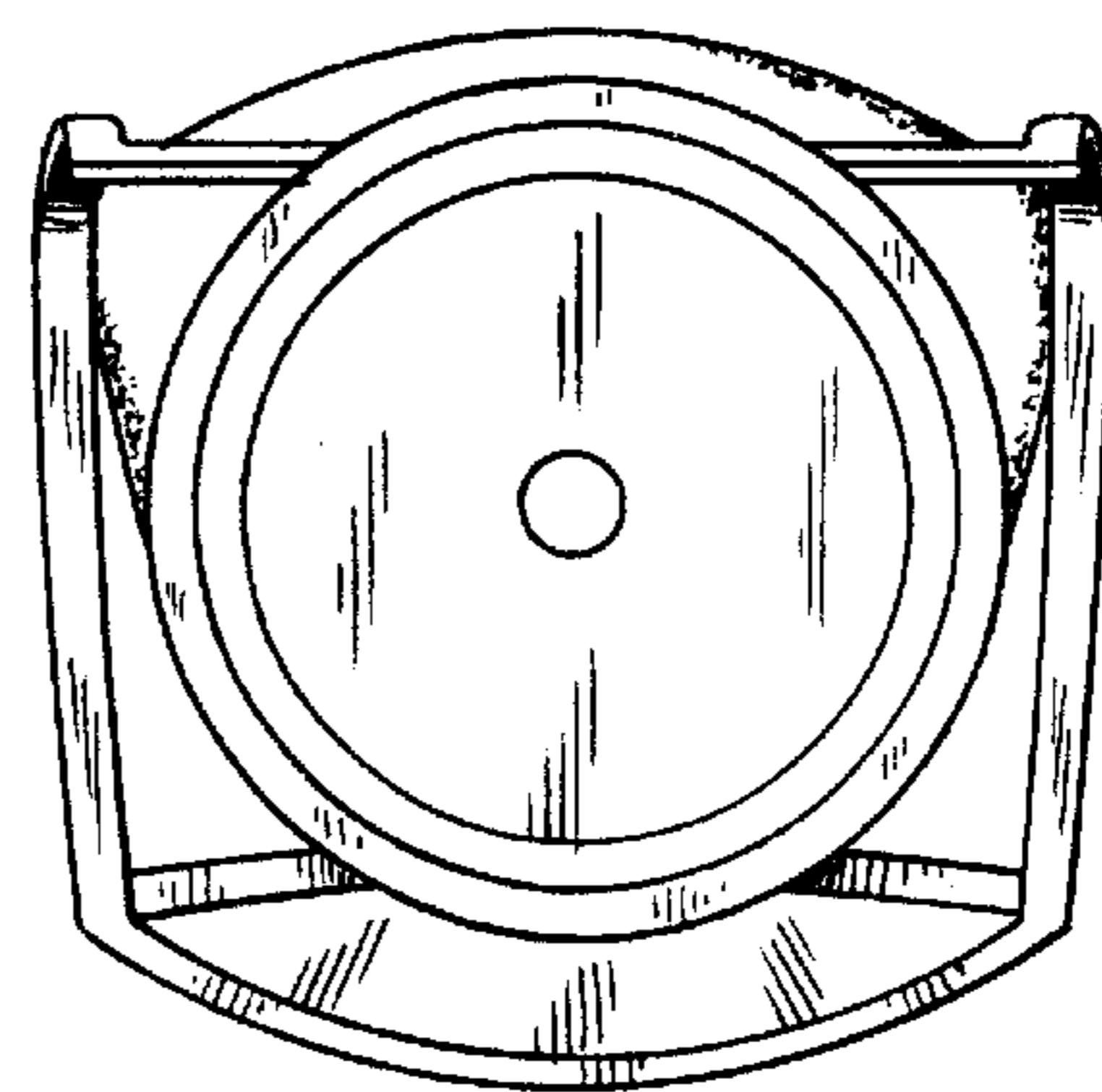


FIG. 7