



US00D487973S

(12) **United States Design Patent**
Vosbikian

(10) **Patent No.:** **US D487,973 S**

(45) **Date of Patent:** **** Apr. 6, 2004**

(54) **PUSHBROOM**

(75) Inventor: **David Vosbikian**, Moorestown, NJ
(US)

(73) Assignee: **Quickie Manufacturing Corporation**,
Cinnaminson, NJ (US)

(**) Term: **14 Years**

(21) Appl. No.: **29/185,482**

(22) Filed: **Jun. 27, 2003**

(51) **LOC (7) Cl.** **04-01**

(52) **U.S. Cl.** **D4/132; D4/138; D32/50**

(58) **Field of Search** **D4/132, 135, 138,**
D4/199; D32/50, 51; 15/145, 146, 159.1,
160, 171, 175; 16/440

(56) **References Cited**

U.S. PATENT DOCUMENTS

D181,211	S	*	10/1957	Lindstrom	D32/50
2,922,179	A	*	1/1960	Lundgren	15/146
5,772,354	A	*	6/1998	Finn	15/175 X
6,134,739	A	*	10/2000	Gonzalez	15/175
D445,227	S	*	7/2001	Tintelnot	D32/50 X

OTHER PUBLICATIONS

Harper Brush, Fairfield, IA; Floor Brush on inside of cover.*

* cited by examiner

Primary Examiner—Alan P. Douglas

Assistant Examiner—Lavone D. Tabor

(74) *Attorney, Agent, or Firm*—Stuart M. Goldstein

(57) **CLAIM**

The ornamental design for a pushbroom, as shown and described.

DESCRIPTION

FIG. 1 is a front view of the pushbroom design of the present invention.

FIG. 2 is rear view of the pushbroom design of the present invention.

FIG. 3 is the top view of the pushbroom design of the present invention.

FIG. 4 is the bottom view of the pushbroom design of the present invention.

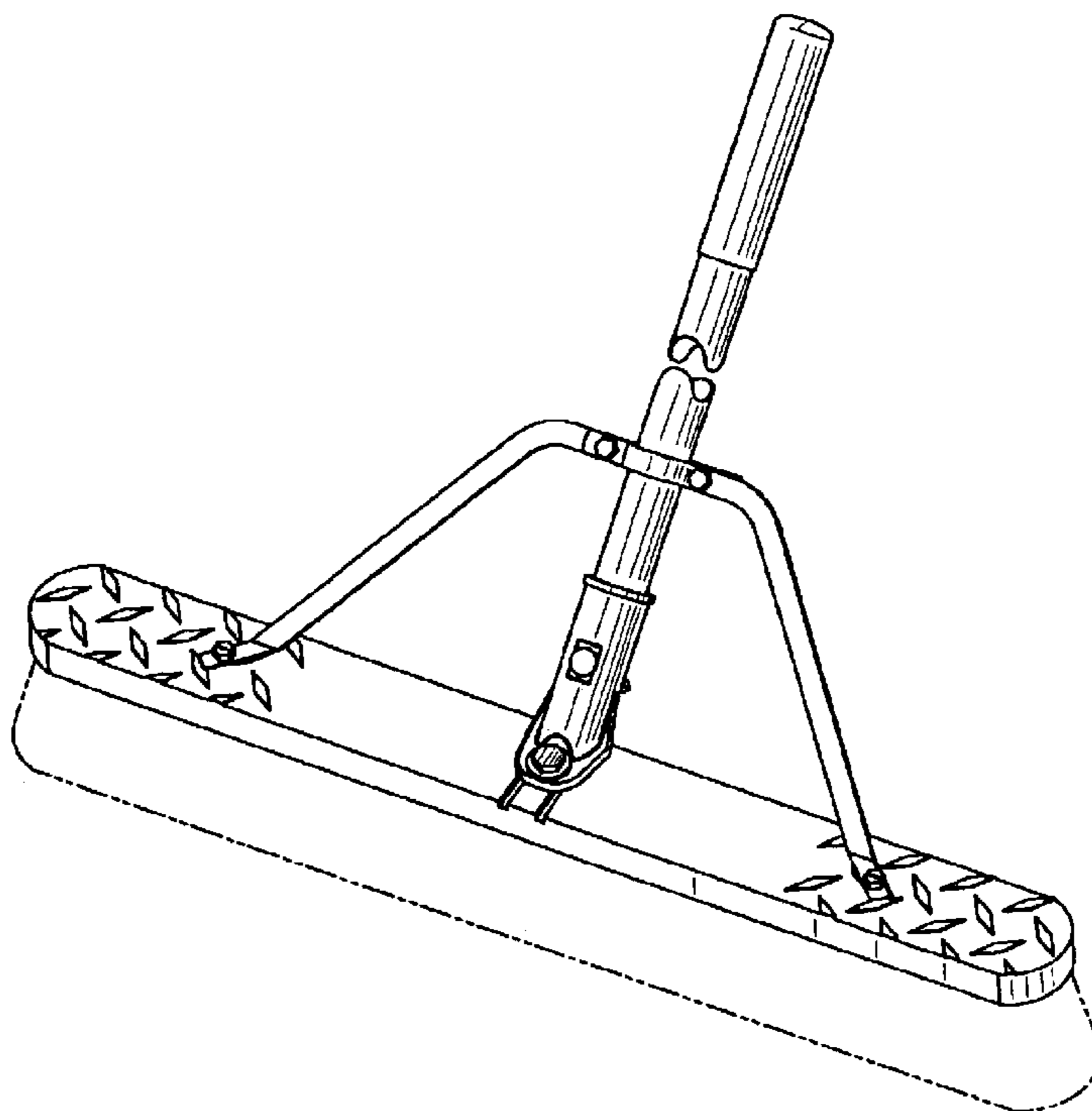
FIG. 5 is a side view of the pushbroom design of the present invention.

FIG. 6 is the opposite side view of the pushbroom design of the present invention; and,

FIG. 7 is an isometric view of the pushbroom design of the present invention.

The handle is shown broken away to indicate an unspecified length. The broken-line structure shown in all of the views is for illustrative purposes only and forms no part of the claimed design.

1 Claim, 4 Drawing Sheets



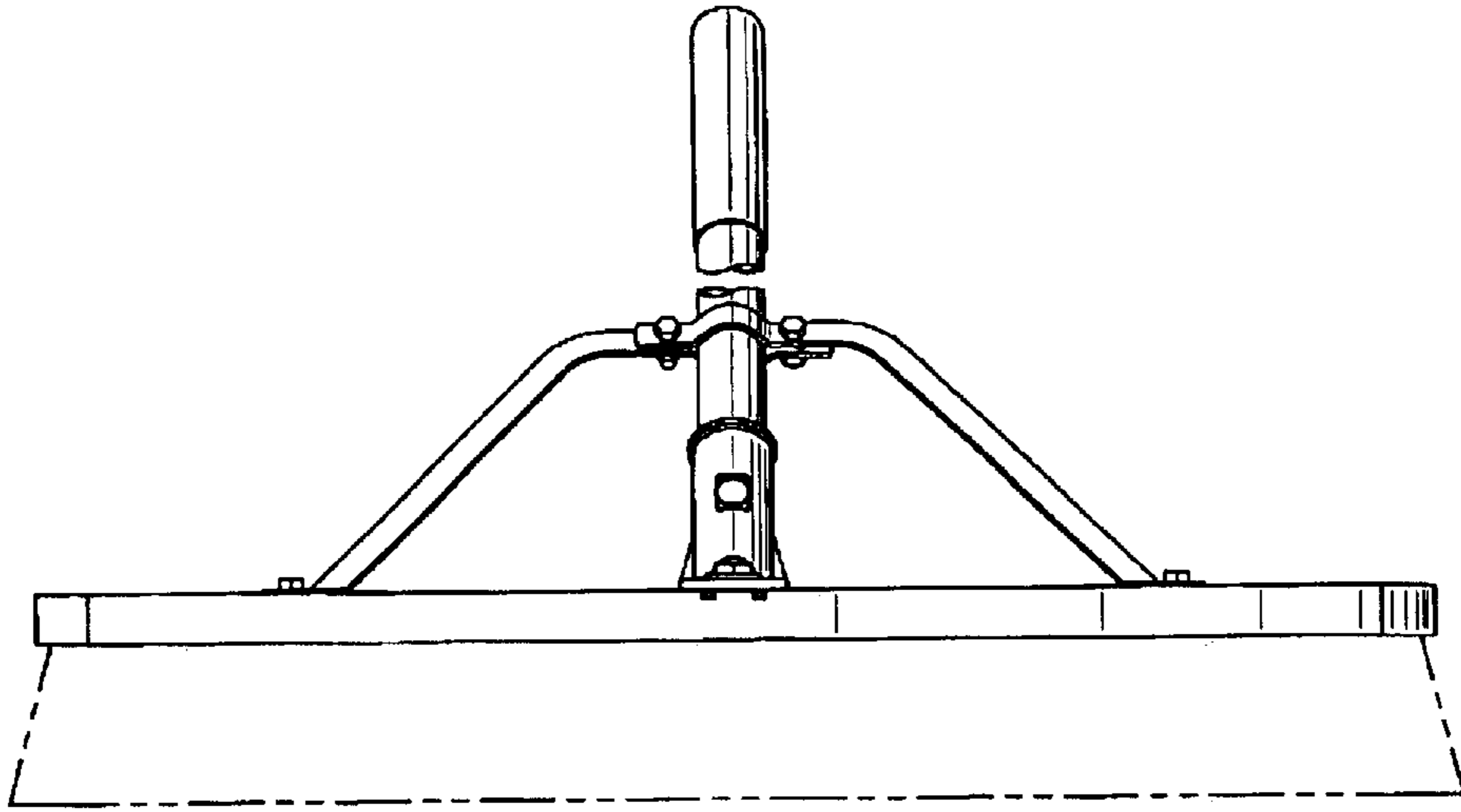


FIG. 1

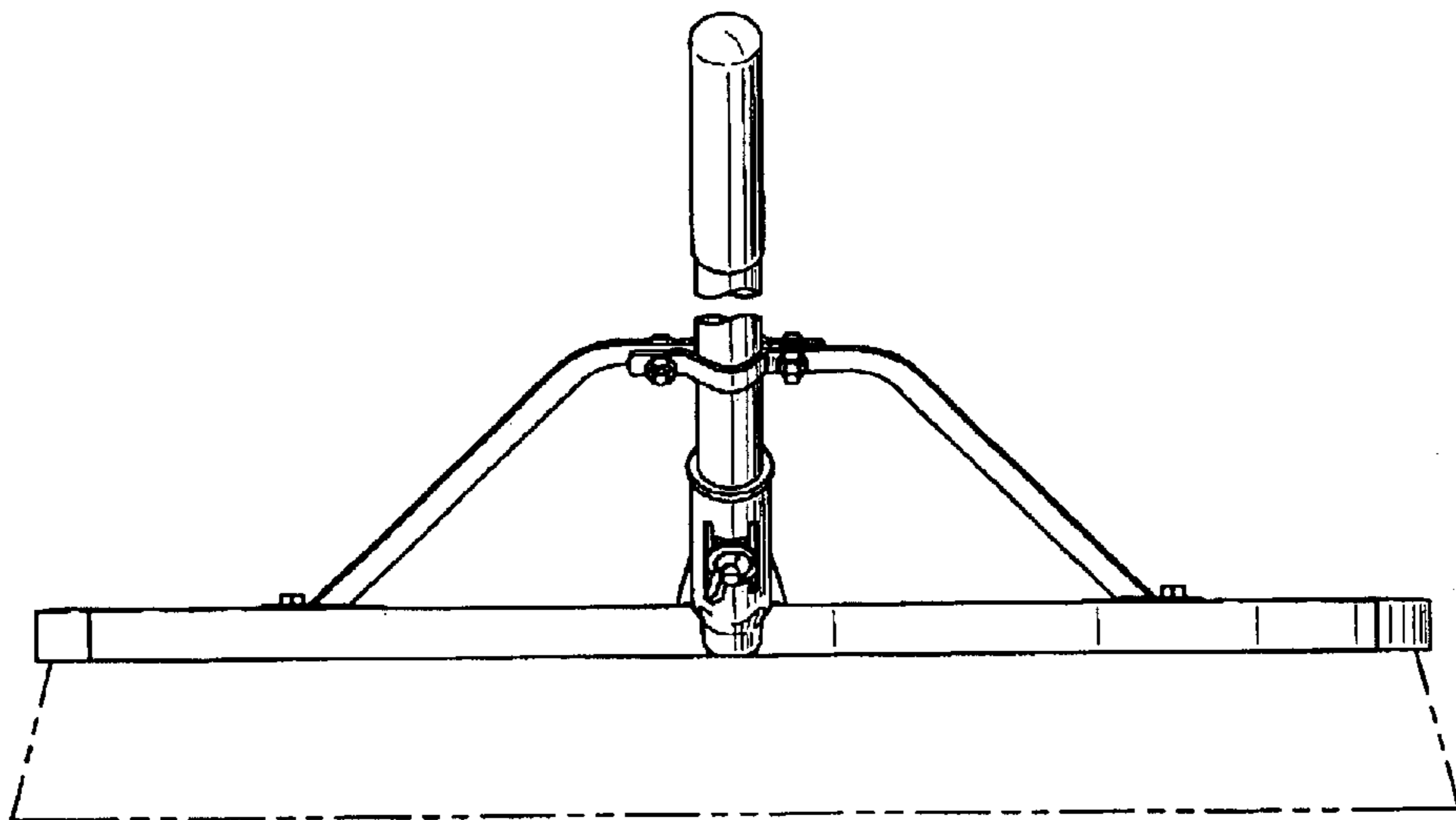


FIG. 2

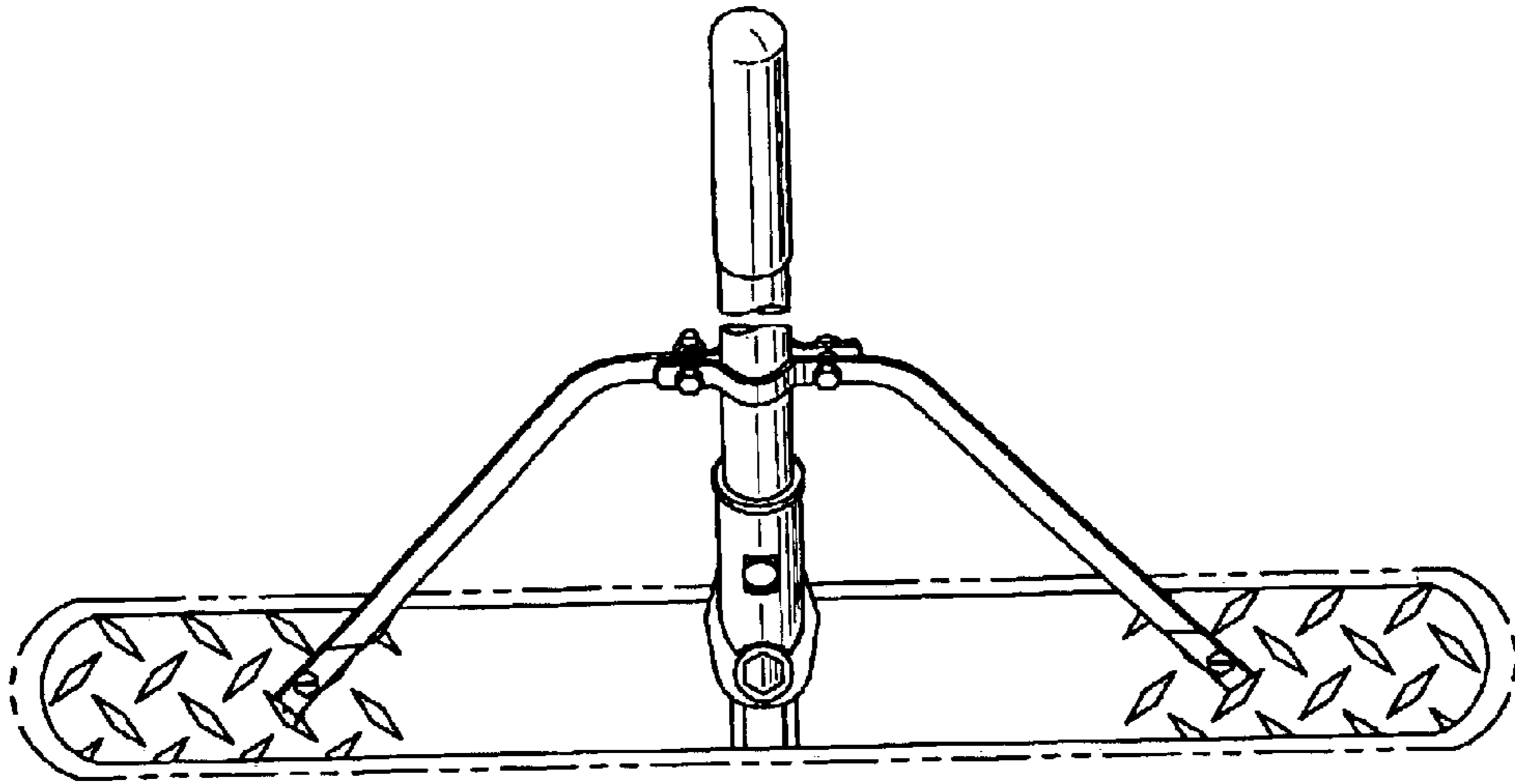


FIG. 3

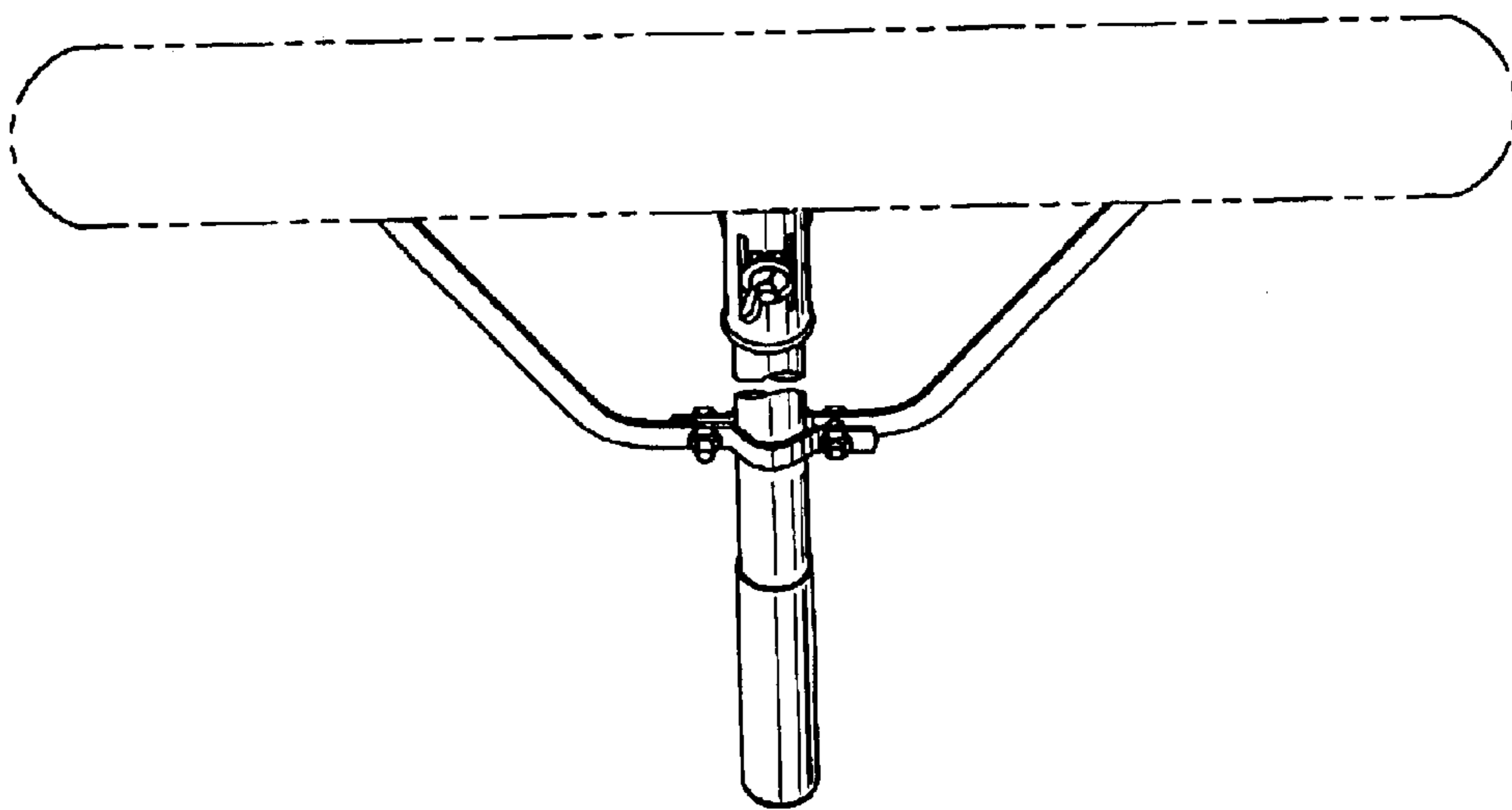


FIG. 4

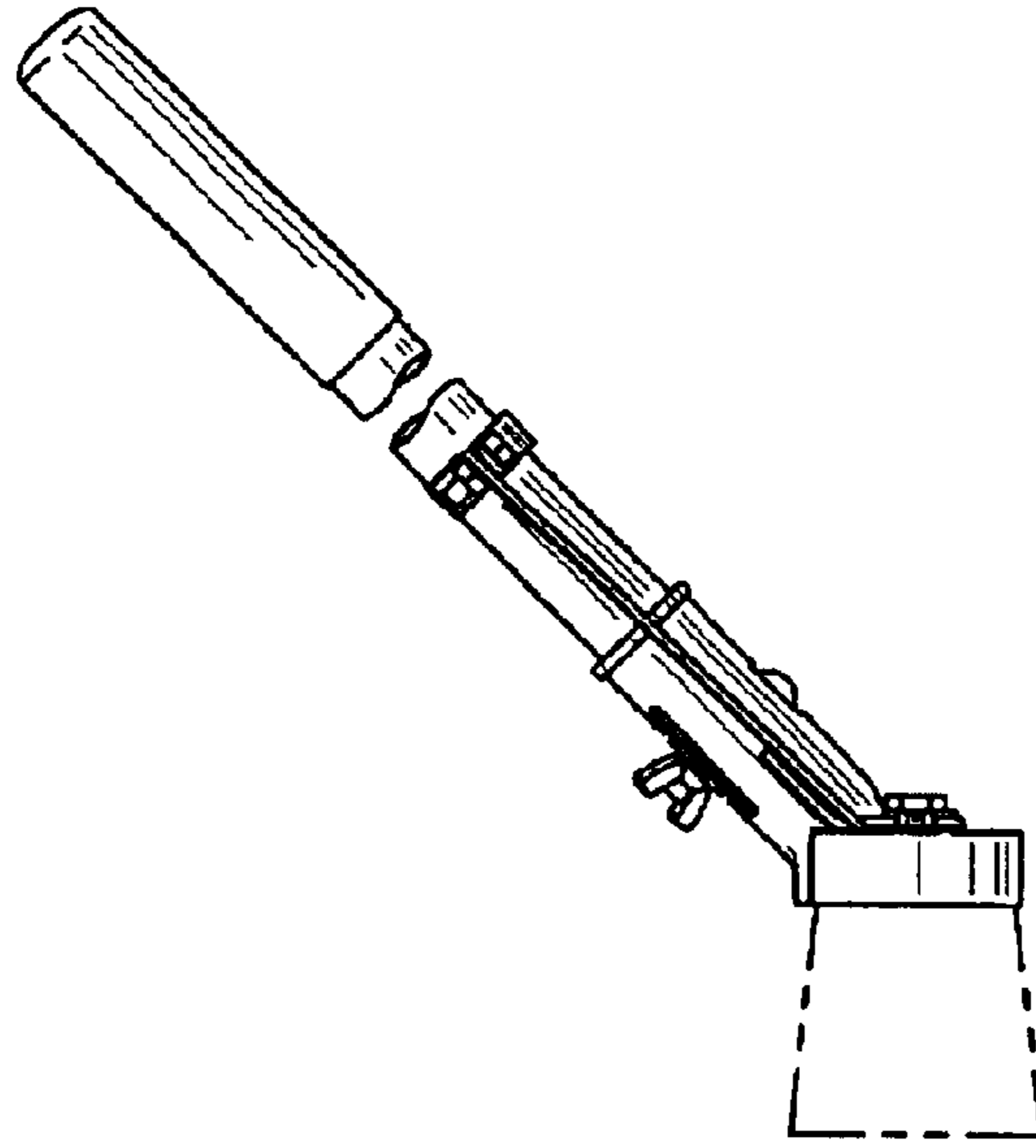


FIG. 5

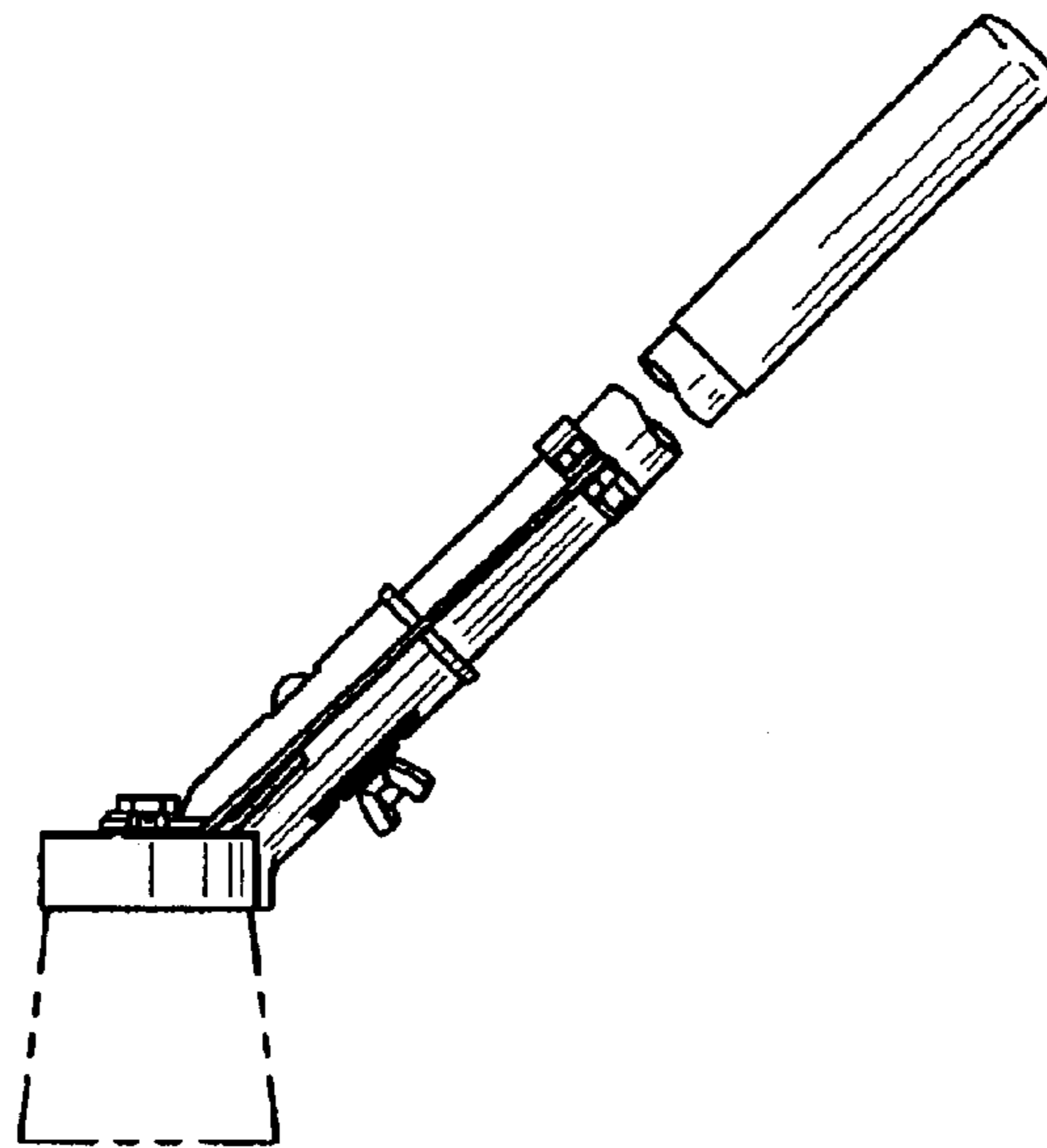


FIG. 6

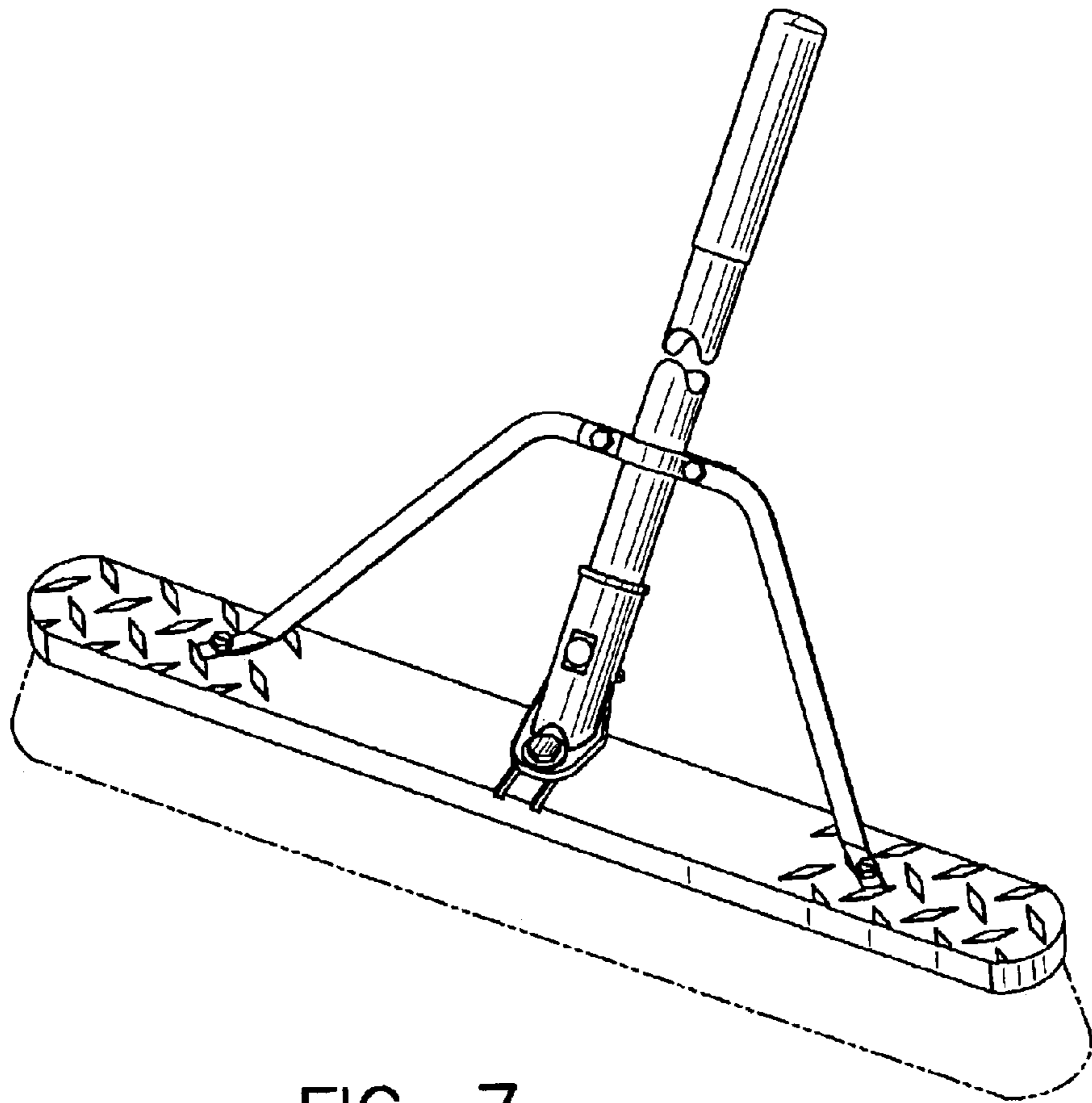


FIG. 7