



US00D487970S

(12) **United States Design Patent**  
**Meier et al.**

(10) **Patent No.:** **US D487,970 S**

(45) **Date of Patent:** **\*\* Apr. 6, 2004**

(54) **TOOL CASE**

(75) Inventors: **Sven Meier**, Kernen (DE); **Vitus Müller-Chorus**, Winnenden (DE); **Horst Garbrecht**, Ostelsheim (DE)

(73) Assignee: **Atlas Copco Electric Tool GmbH**, Winnenden (DE)

(\*\*) Term: **14 Years**

(21) Appl. No.: **29/145,997**

(22) Filed: **Aug. 1, 2001**

(30) **Foreign Application Priority Data**

Feb. 1, 2001 (DE) ..... 4 01 00 879

(51) **LOC (7) Cl.** ..... **03-01**

(52) **U.S. Cl.** ..... **D3/281; D3/276**

(58) **Field of Search** ..... D3/273, 276, 281, D3/282, 291, 294, 905; 206/349, 272, 373, 503, 508; 190/110, 111, 112

(56) **References Cited**

**U.S. PATENT DOCUMENTS**

D311,819 S \* 11/1990 Takeuchi ..... D3/292  
D353,048 S \* 12/1994 VanSkiver et al. .... D3/273

D364,957 S \* 12/1995 Turbowitz ..... D3/276  
D369,240 S \* 4/1996 Newby, Sr. .... D3/263  
5,806,673 A \* 9/1998 Sanderson ..... 190/115  
D413,202 S \* 8/1999 Schmitt et al. .... D3/276  
D417,338 S \* 12/1999 Main ..... D3/276  
D429,884 S \* 8/2000 Zurwelle et al. .... D3/276  
D439,407 S \* 3/2001 Parker ..... D3/276

\* cited by examiner

*Primary Examiner*—Philip S. Hyder

(74) *Attorney, Agent, or Firm*—Gudrun E. Hockett

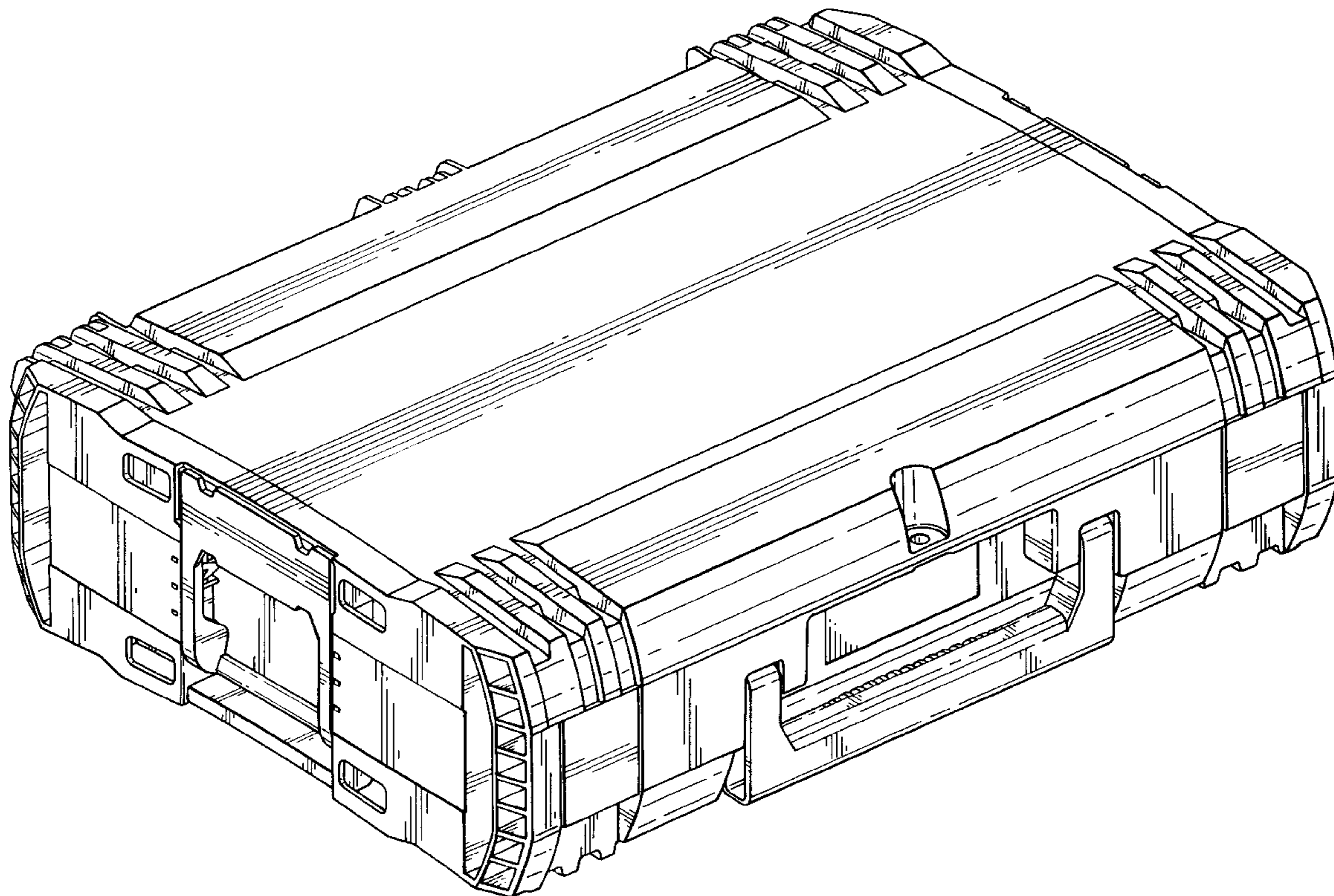
(57) **CLAIM**

The ornamental design for a tool case, as shown.

**DESCRIPTION**

FIG. 1 is a perspective top view of our novel tool case;  
FIG. 2 is a top plan view of our novel tool case;  
FIG. 3 is a front view of our novel tool case;  
FIG. 4 is a rear view of our novel tool case;  
FIG. 5 is a side view of the left side, when viewed from the front, of our novel tool case;  
FIG. 6 is a side of the right side, when viewed from the front, of our novel tool case; and,  
FIG. 7 is a bottom plan view of our novel tool case.

**1 Claim, 5 Drawing Sheets**



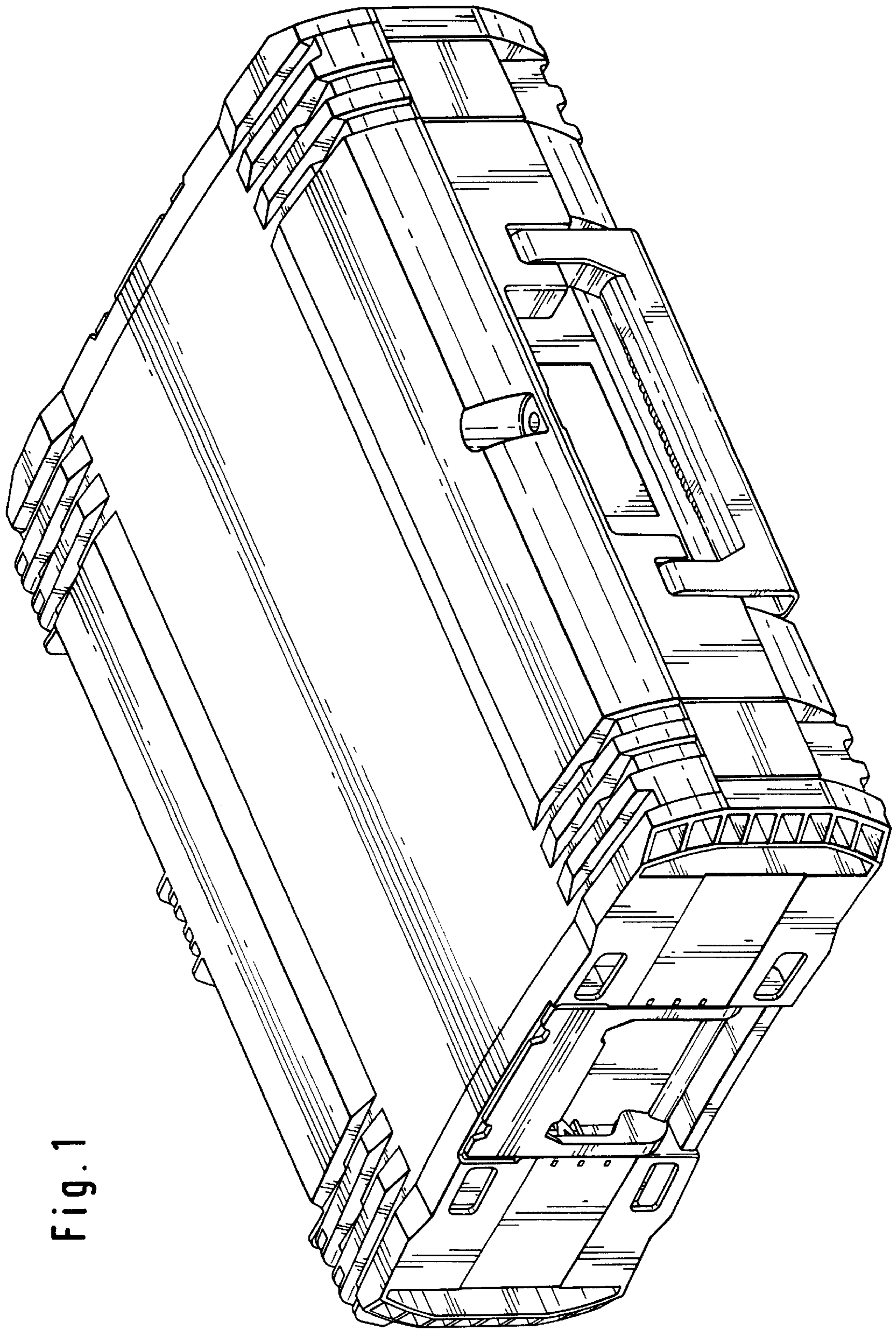


Fig. 1

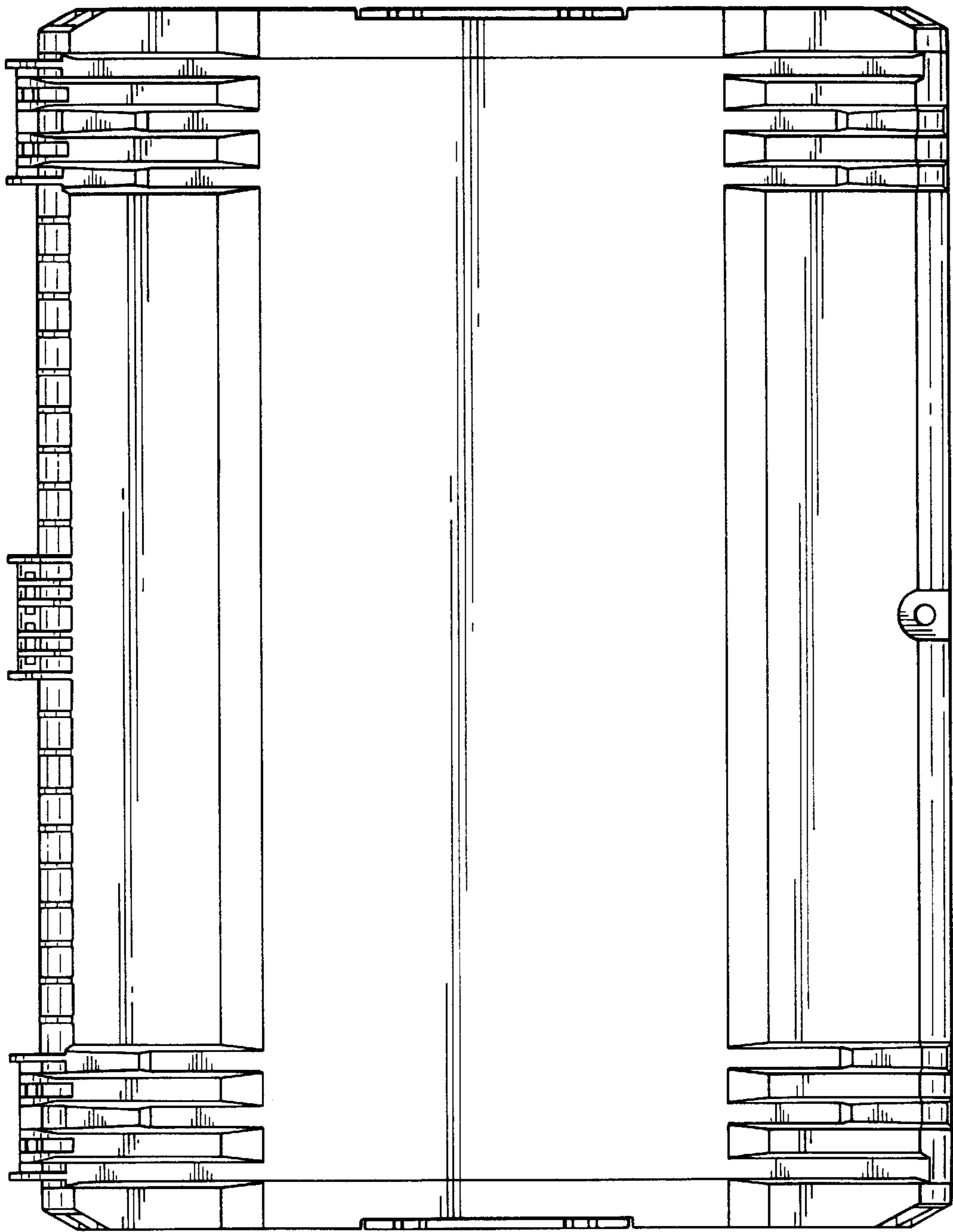


Fig. 2

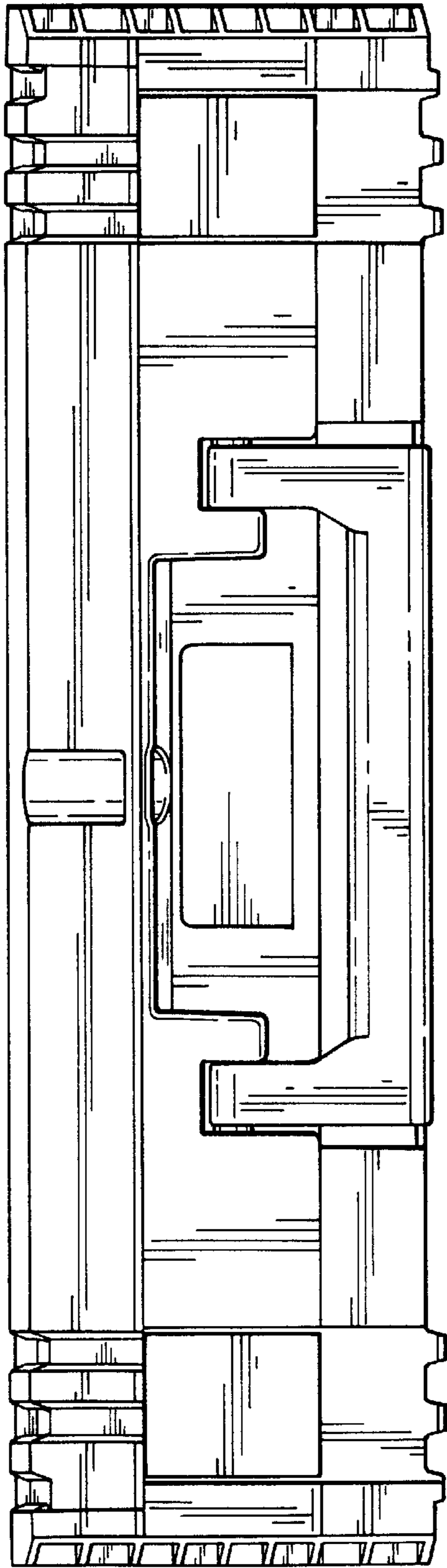


Fig. 3

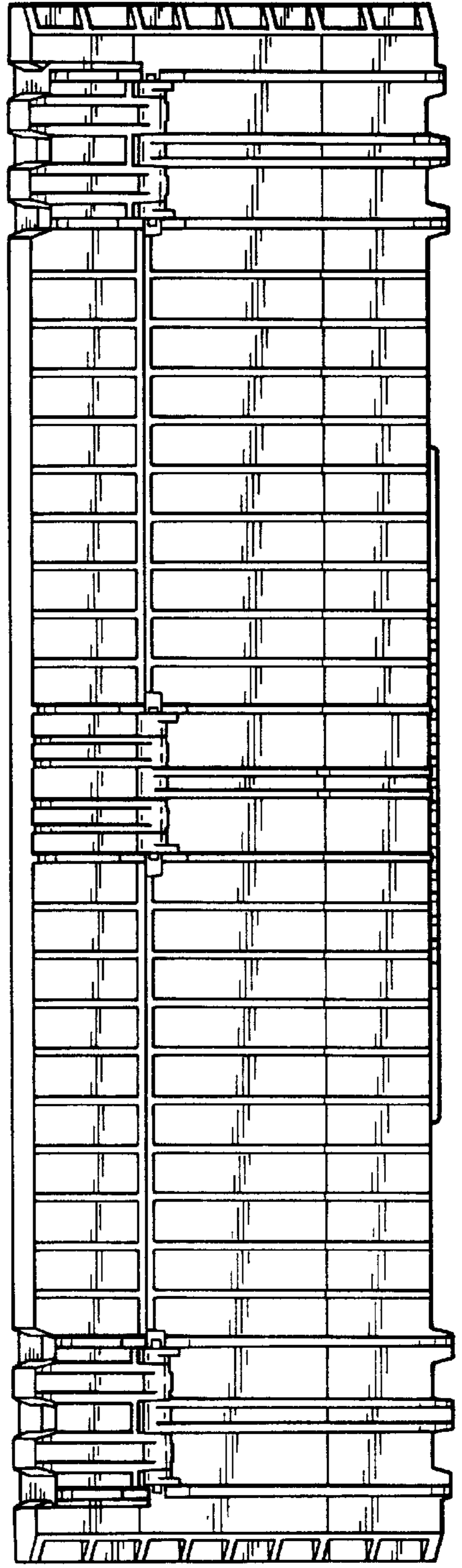


Fig. 4

Fig. 5

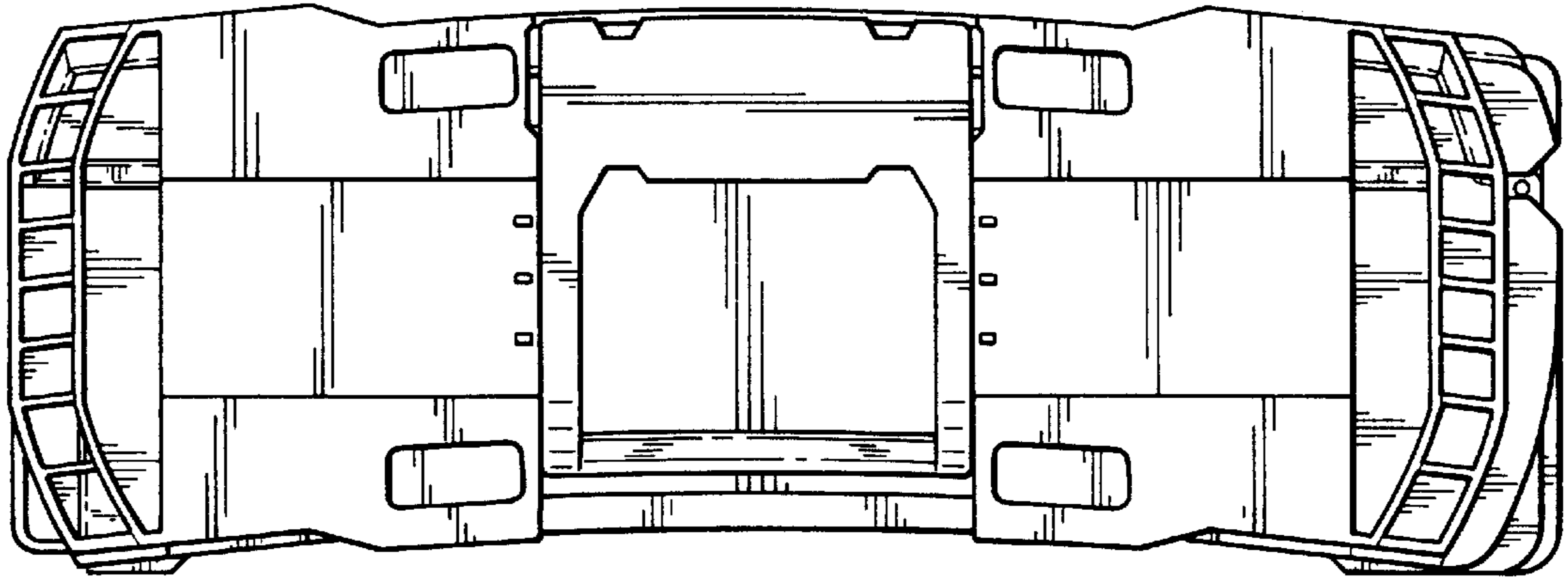
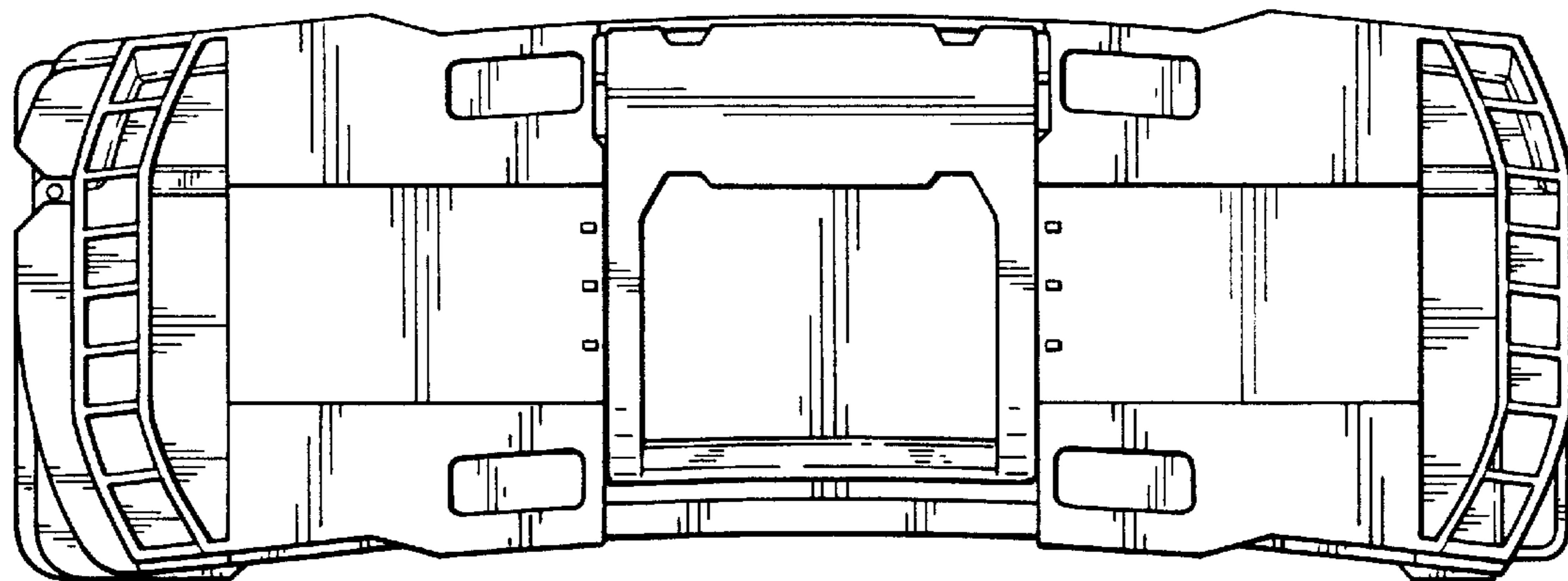


Fig. 6



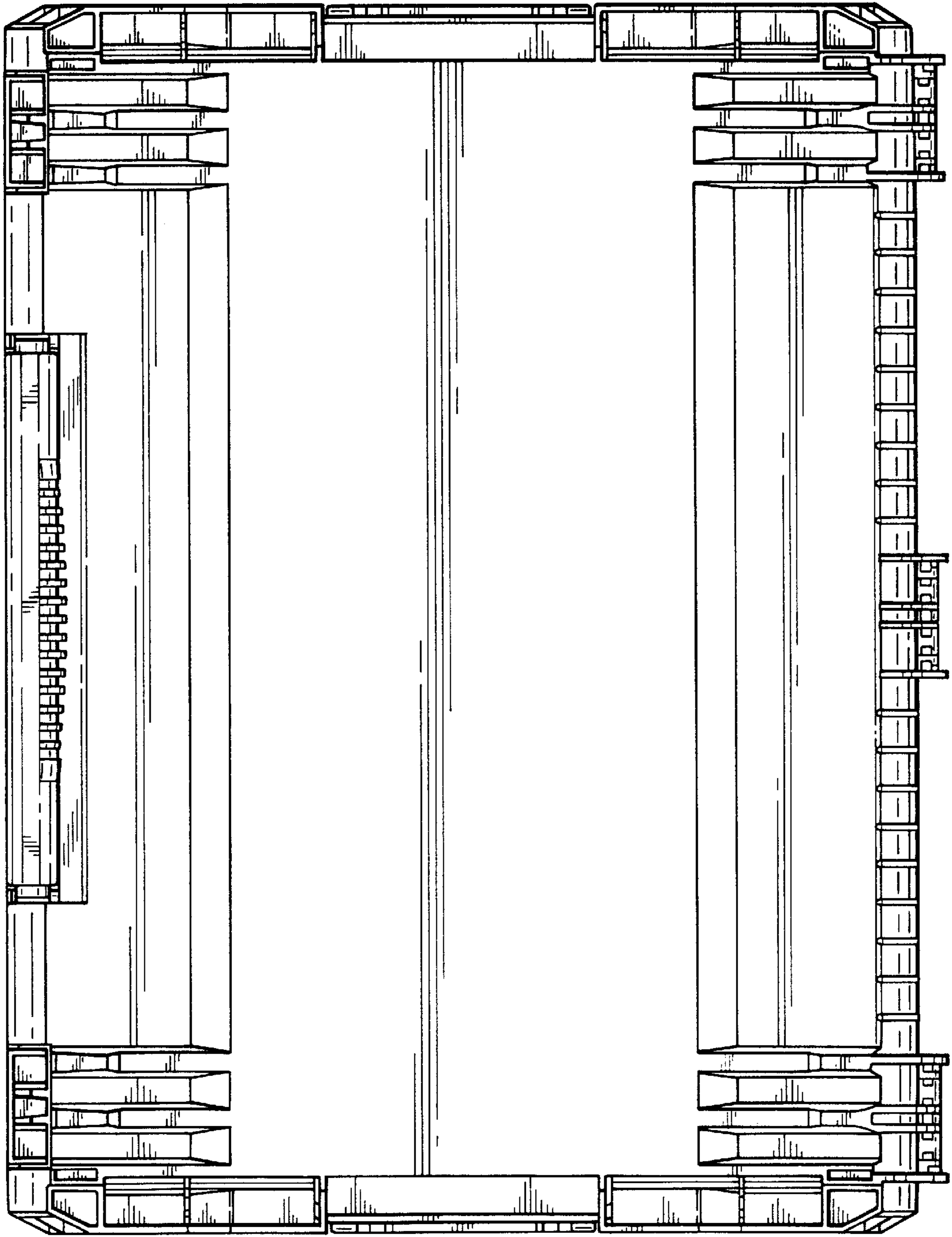


Fig. 7