



US00D487968S

(12) **United States Design Patent**
Begg et al.

(10) **Patent No.:** **US D487,968 S**

(45) **Date of Patent:** **** Apr. 6, 2004**

(54) **BAG**

(75) Inventors: **John D. Begg**, Forestville (AU);
Rebecca A. Wilkins, Lane Cove (AU);
Peter J. Ayre, Crows Nest (AU); **David Jones**, Epping (AU)

(73) Assignee: **Ventracor Limited** (AU)

(**) Term: **14 Years**

(21) Appl. No.: **29/180,427**

(22) Filed: **Apr. 23, 2003**

(30) **Foreign Application Priority Data**

Nov. 29, 2002 (AU) 3750/2002

(51) **LOC (7) Cl.** **03-01**

(52) **U.S. Cl.** **D3/243**

(58) **Field of Search** D3/215, 216, 217,
D3/231, 232, 233, 242, 243, 245, 246,
303; 150/100, 106, 108; 383/6, 97; 224/151,
191, 576, 578, 579, 580

(56) **References Cited**

U.S. PATENT DOCUMENTS

4,018,369 A * 4/1977 Jaeger D3/217 X

5,676,293 A * 10/1997 Farris 224/576
6,189,750 B1 * 2/2001 Von Neumann 224/153
D451,274 S * 12/2001 Kegels D3/217
D480,866 S * 10/2003 Alfons et al. D3/217
2003/0024960 A1 * 2/2003 Greenstein et al. 224/153

* cited by examiner

Primary Examiner—Louis S. Zarfes

Assistant Examiner—Monica A. Weingart

(74) *Attorney, Agent, or Firm*—Stetina Brunda Garred & Brucker

(57) **CLAIM**

The ornamental design for a bag, as shown and described.

DESCRIPTION

FIG. 1 is perspective view of the bag of this invention showing the front, one side and bottom of the bag;

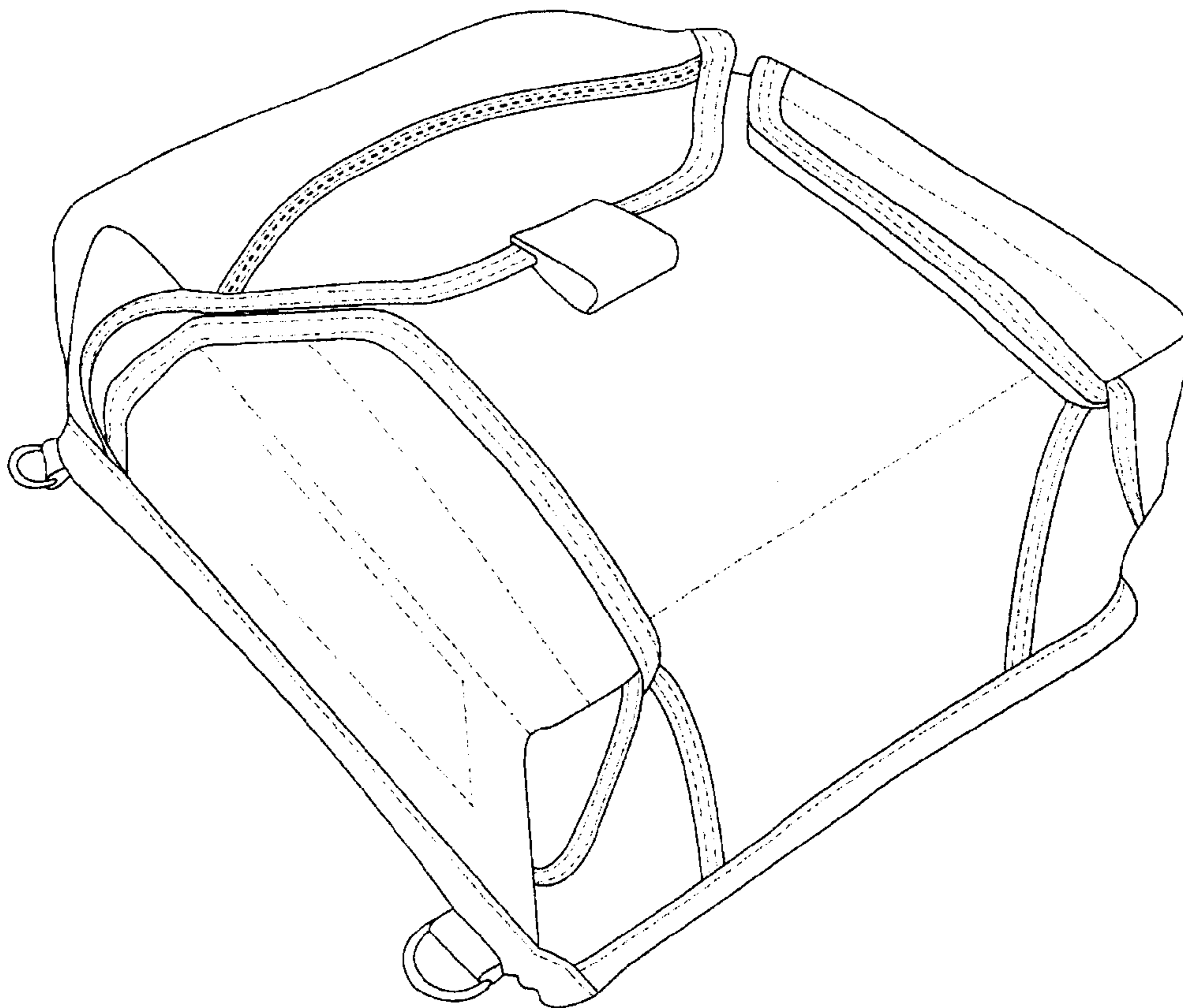
FIG. 2 is a side plan view of the bag of FIG. 1, with the opposite plan view being the mirror image thereof;

FIG. 3 is a front plan view of the bag of FIG. 1;

FIG. 4 is a back plan view of the bag of FIG. 1; and,

FIG. 5 is a top plan view of the bag of FIG. 1.

1 Claim, 3 Drawing Sheets



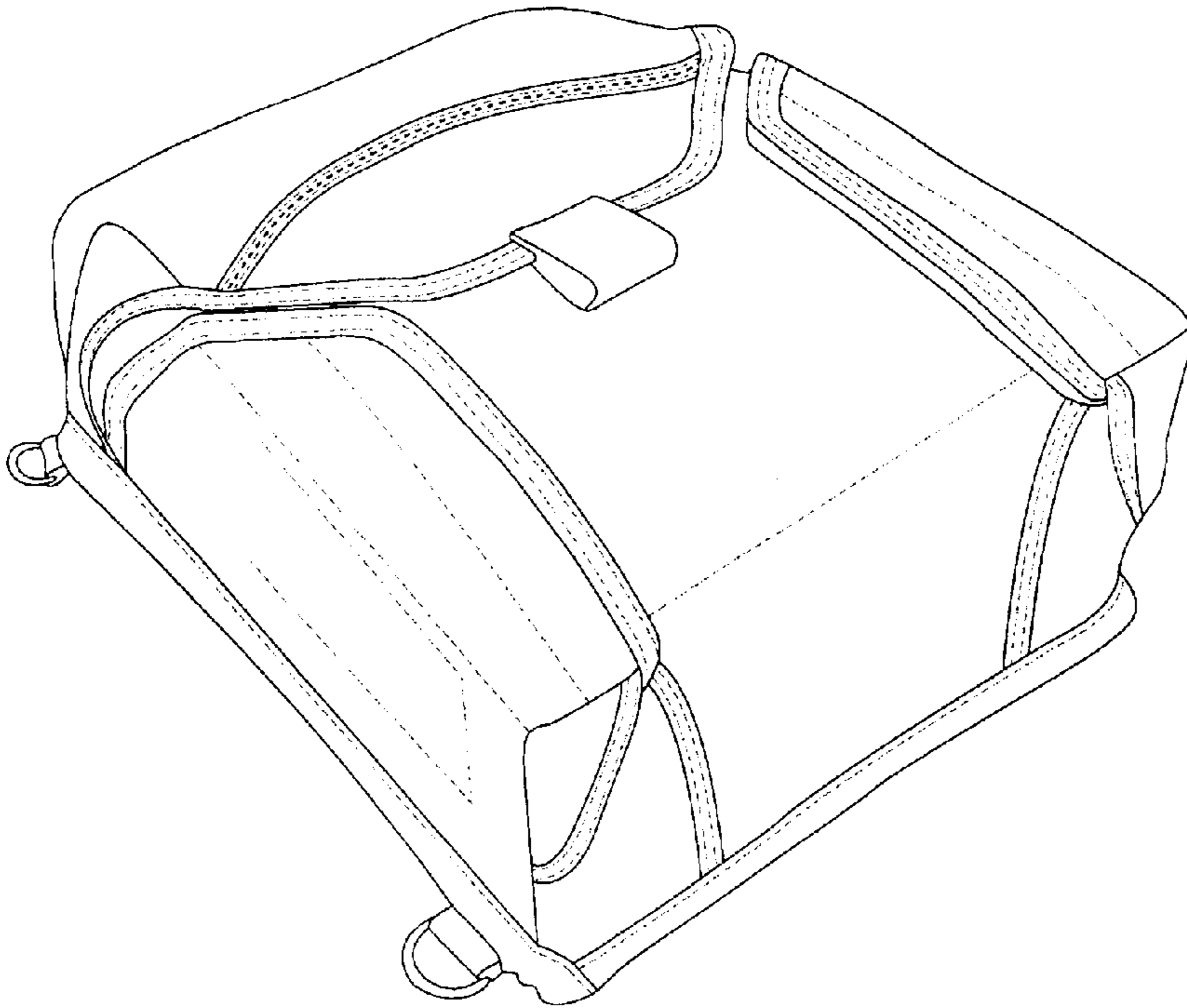


Figure 1

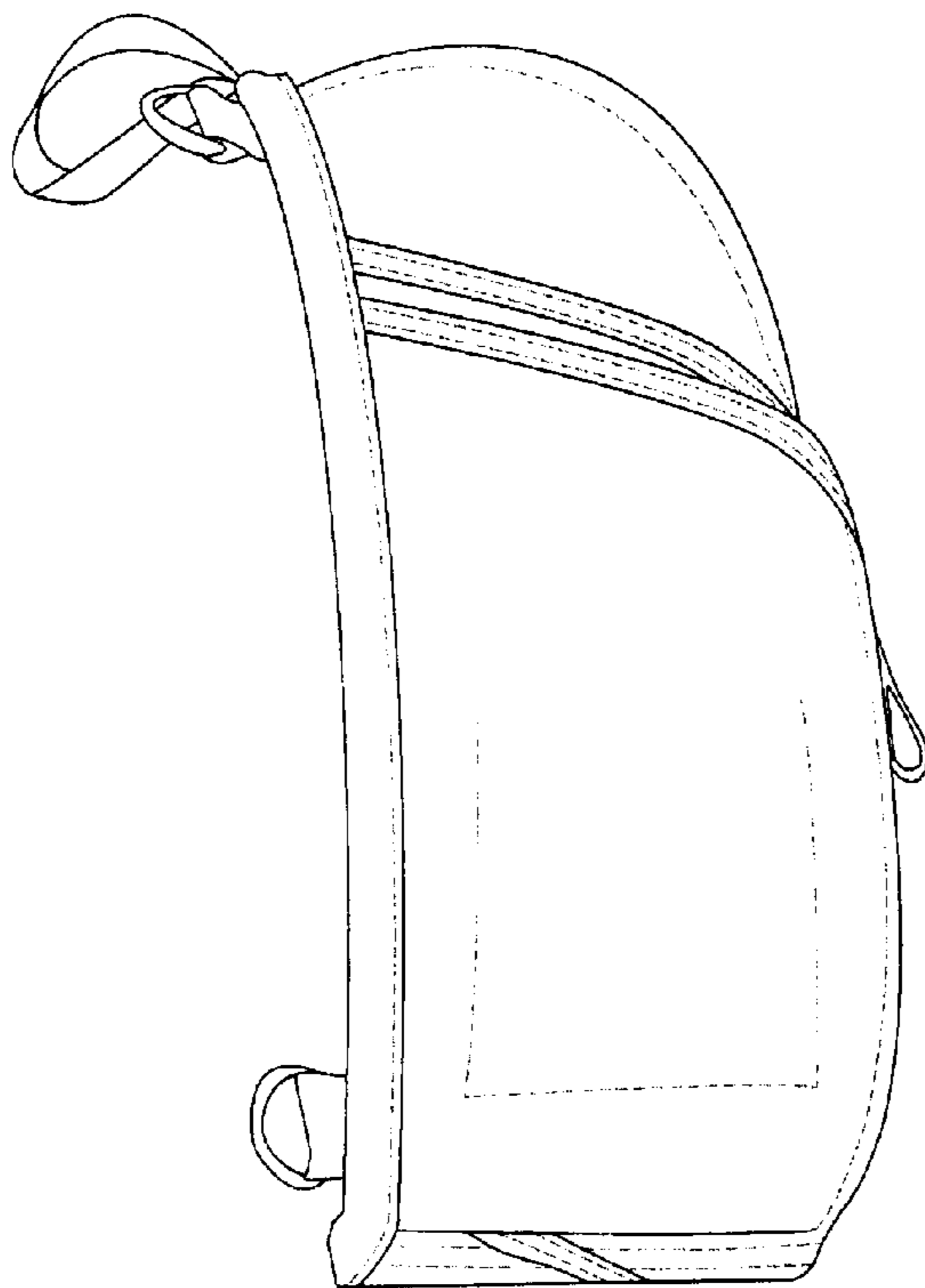


Figure 2

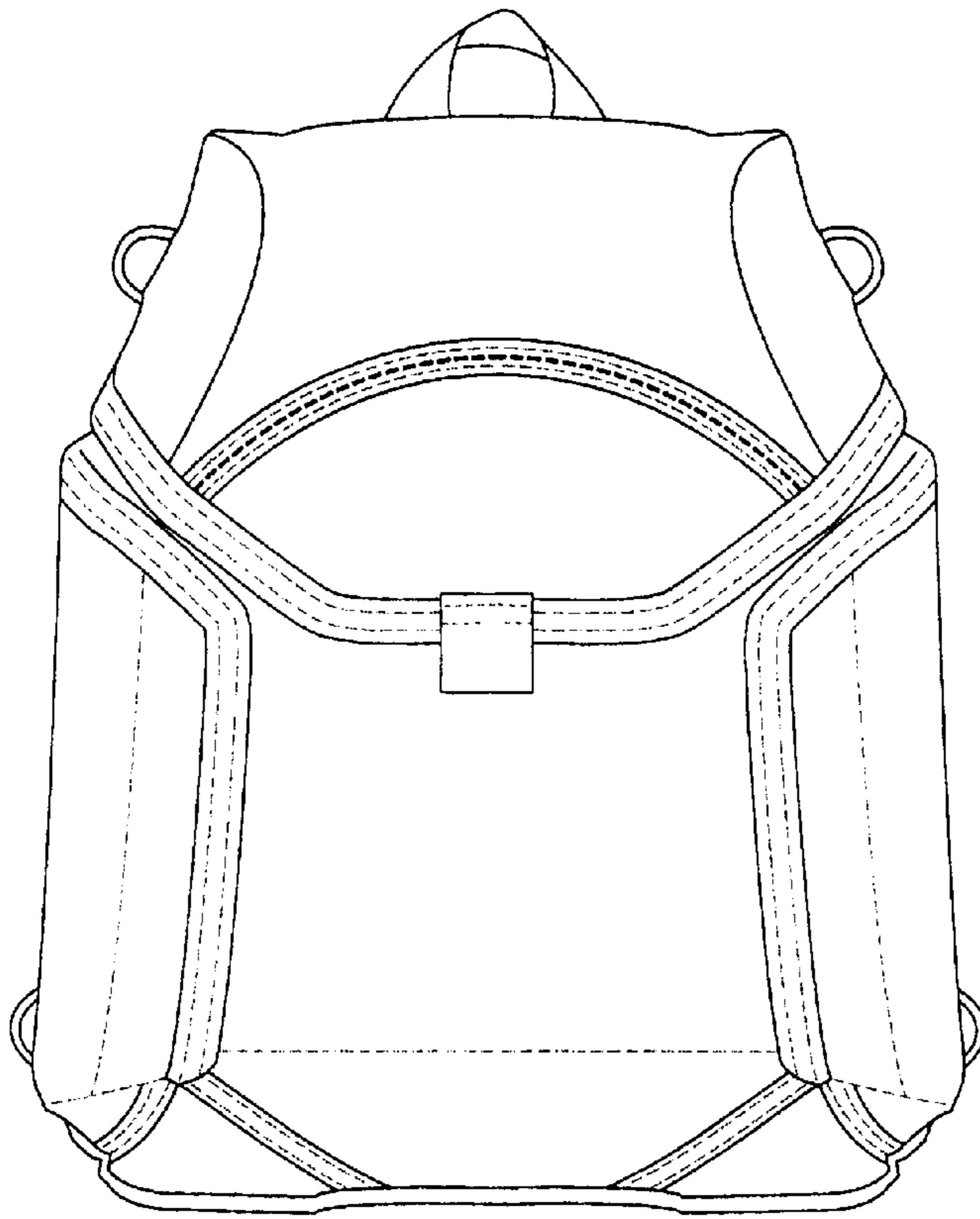


Figure 3

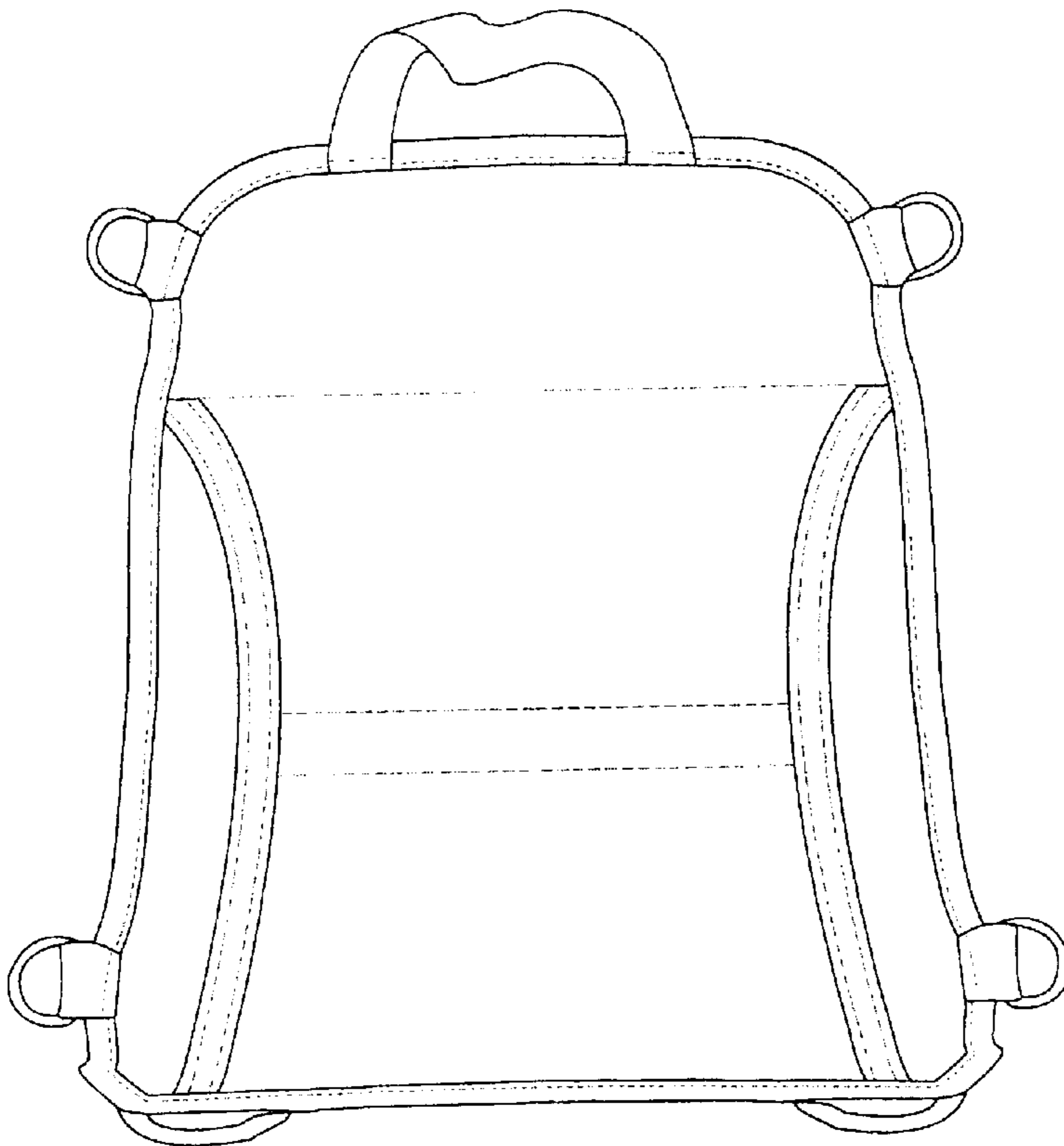


Figure 4

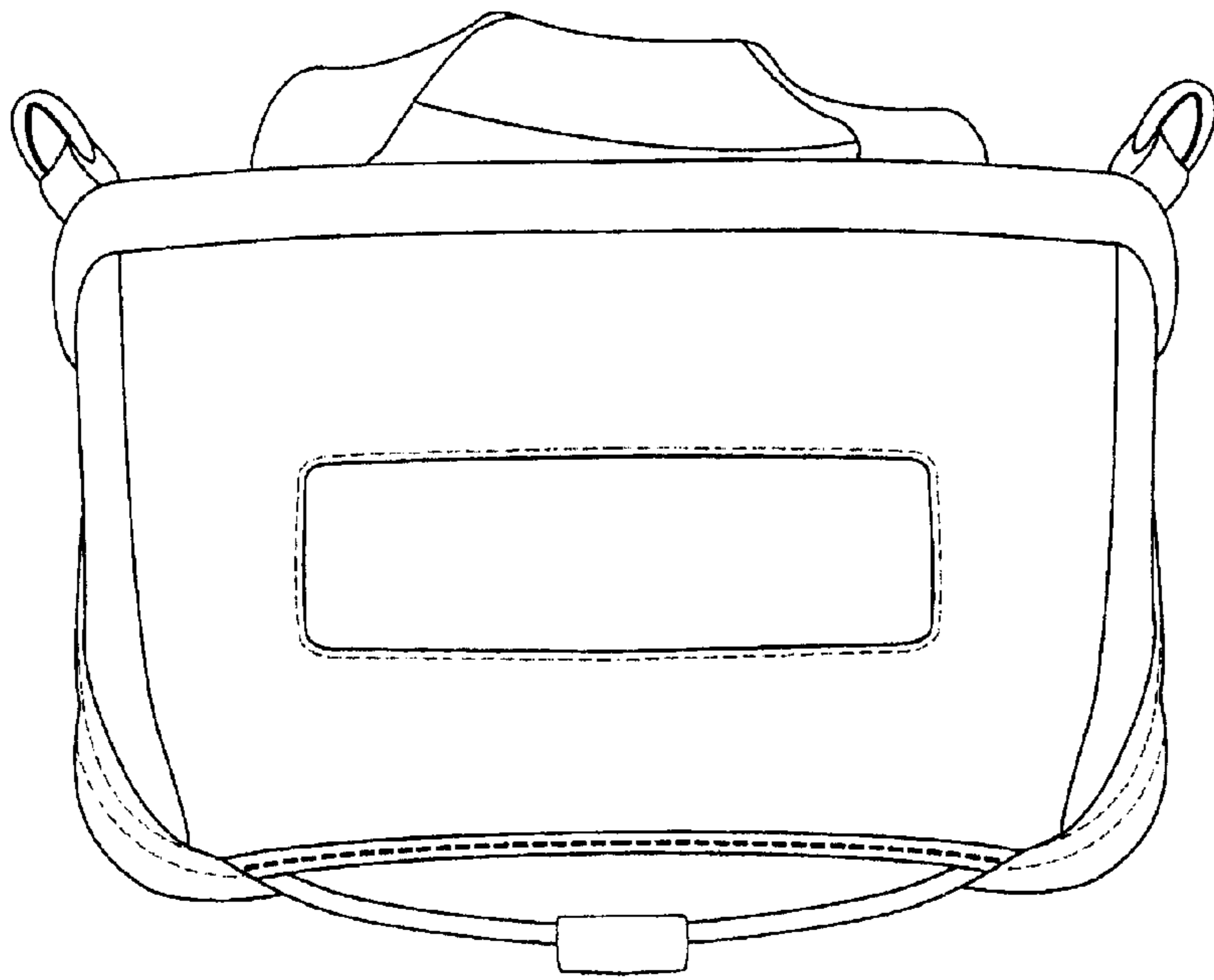


Figure 5