



US00D487967S

(12) **United States Design Patent**
Kodsi et al.

(10) **Patent No.:** **US D487,967 S**

(45) **Date of Patent:** **** Apr. 6, 2004**

(54) **WINE GLASS HOLDER**

(75) Inventors: **Andi Shawn Kodsi**, Boca Raton, FL (US); **Michael Kodsi**, Boca Raton, FL (US)

(73) Assignee: **The Mobile Grape, Inc.**, Boca Raton, FL (US)

(**) Term: **14 Years**

(21) Appl. No.: **29/179,725**

(22) Filed: **Apr. 14, 2003**

(51) **LOC (7) Cl.** **03-01**

(52) **U.S. Cl.** **D3/229; D7/620**

(58) **Field of Search** D7/619.1, 620, D7/708.1; D3/229, 202; 224/148.1-148.6; 211/74; 248/311.2

(56) **References Cited**

U.S. PATENT DOCUMENTS

D329,964 S	*	10/1992	Dobbins et al.	D7/619.1
D347,734 S	*	6/1994	Patterson et al.	D3/229
5,413,261 A	*	5/1995	Wu	224/148.4
D388,604 S	*	1/1998	Castro	D3/229
D397,550 S	*	9/1998	Coughlin	D3/229
5,890,635 A	*	4/1999	Wu et al.	224/148.4

* cited by examiner

Primary Examiner—Terry A. Wallace
(74) *Attorney, Agent, or Firm*—Lott & Friedland, P.A.

(57) **CLAIM**

The ornamental design for a wine glass holder, substantially as shown and described.

DESCRIPTION

FIG. 1 is a front view of a wine glass holder showing my ornamental design with the figure of a body, a wine glass and an attachment string shown in dotted lines that form no part of the claimed invention;

FIG. 2 is a perspective view of a wine glass holder showing my ornamental design;

FIG. 3 is a rear view of a wine glass holder showing my ornamental design;

FIG. 4 is a front view of a wine glass holder showing my ornamental design;

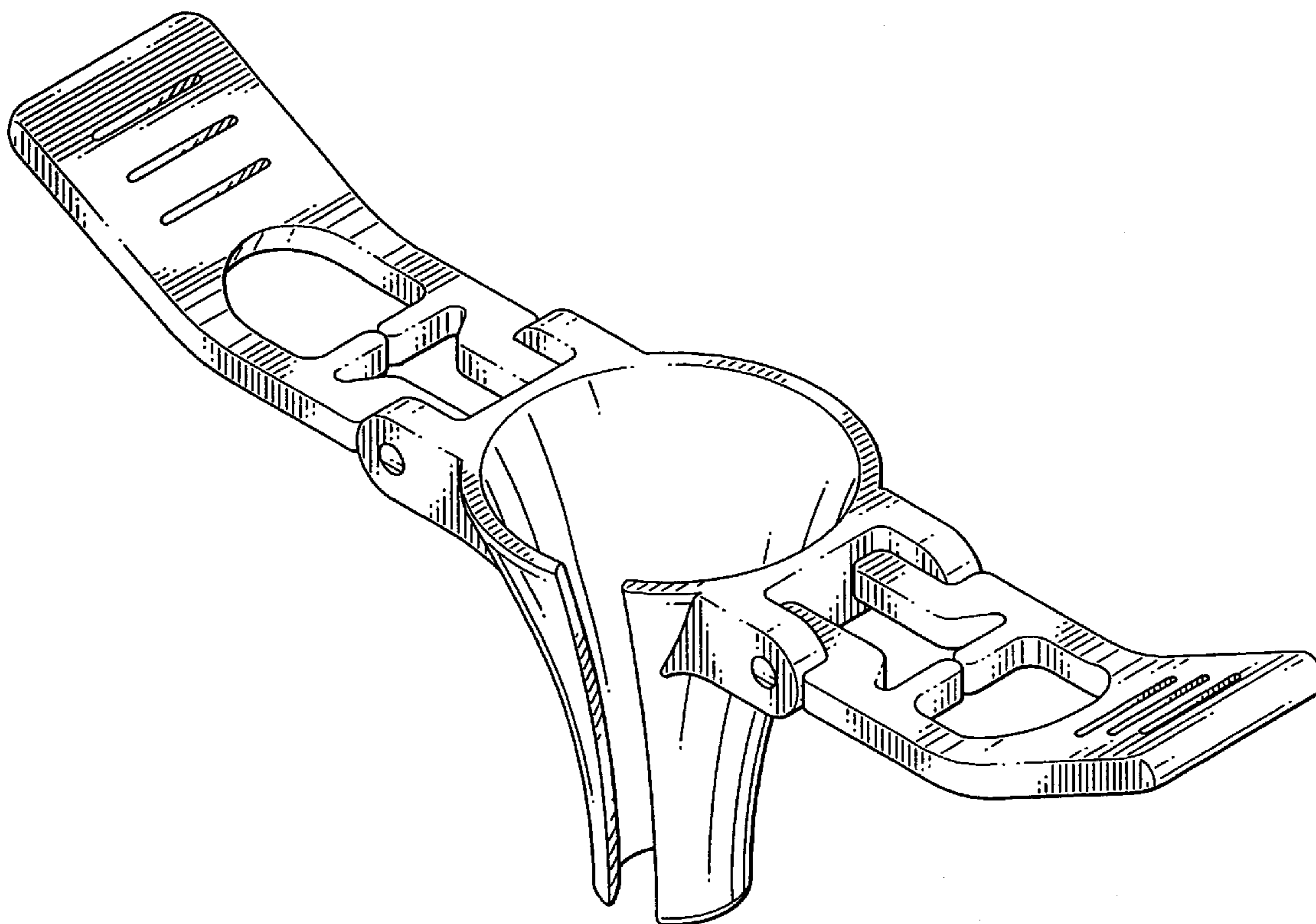
FIG. 5 is a top view of a wine glass holder showing my ornamental design;

FIG. 6 is a bottom view of a wine glass holder showing my ornamental design;

FIG. 7 is a left side view of a wine glass holder showing my ornamental design; and,

FIG. 8 is a right side view of a wine glass holder showing my ornamental design.

1 Claim, 7 Drawing Sheets



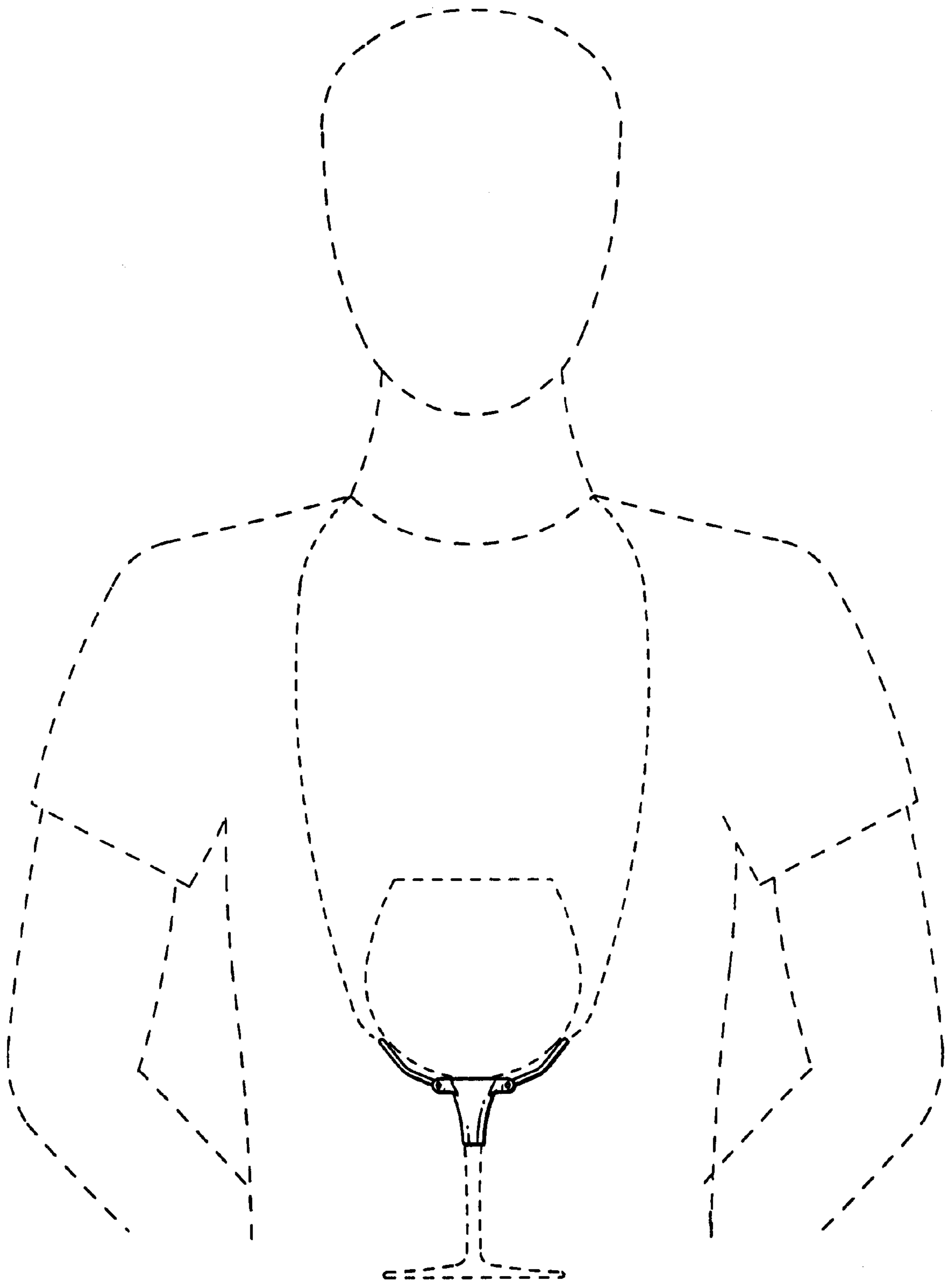


FIG. 1

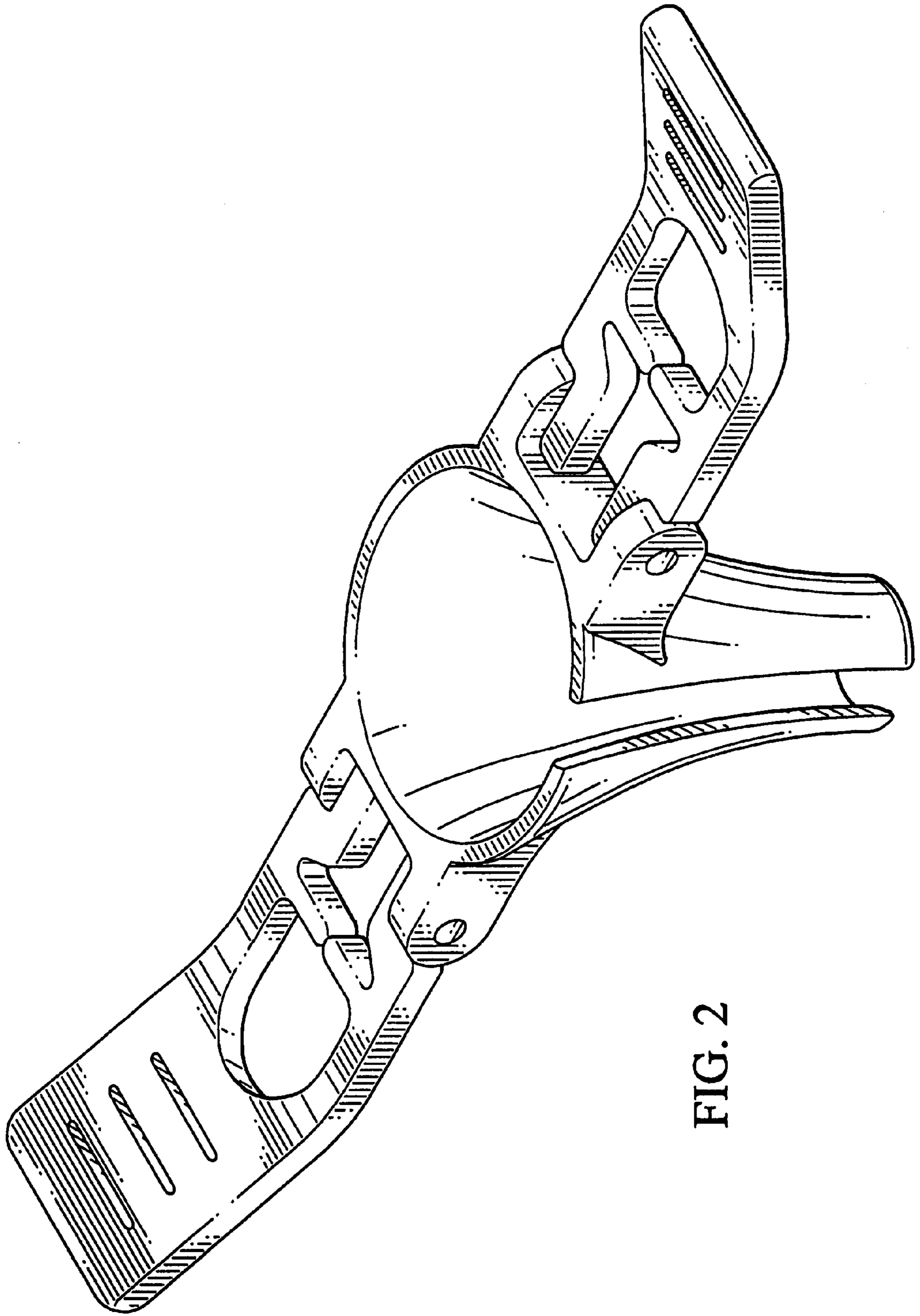


FIG. 2

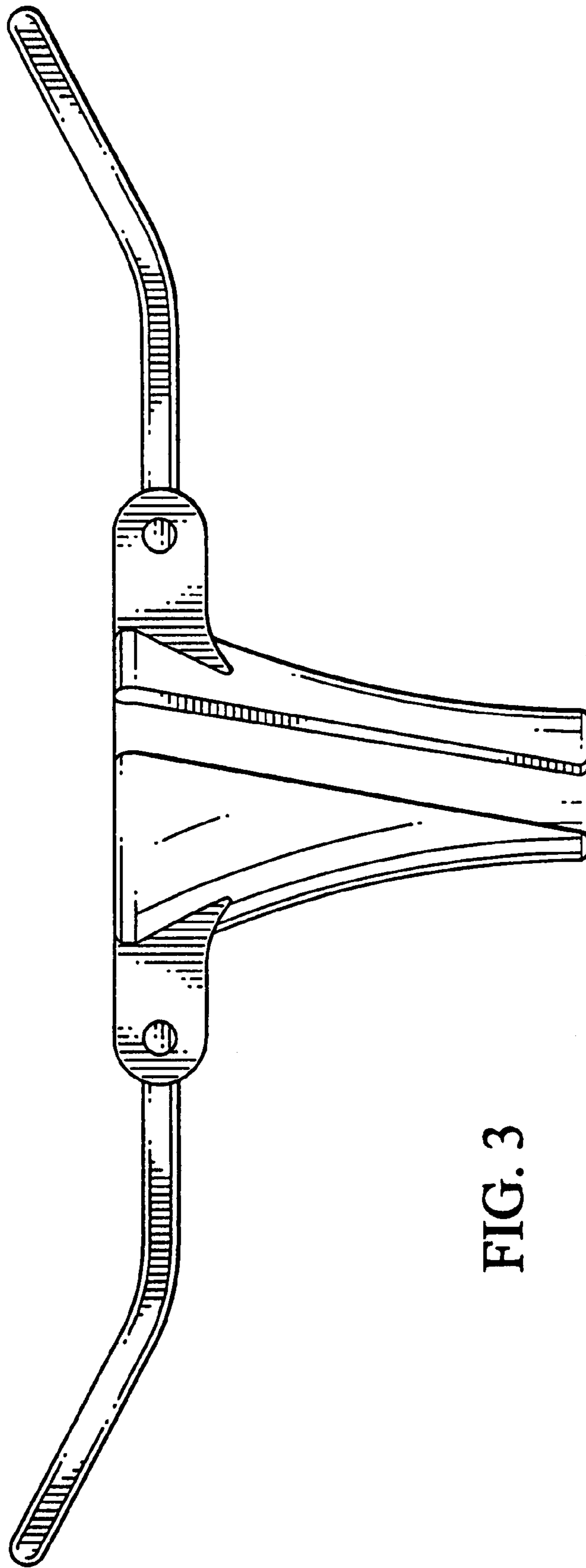


FIG. 3

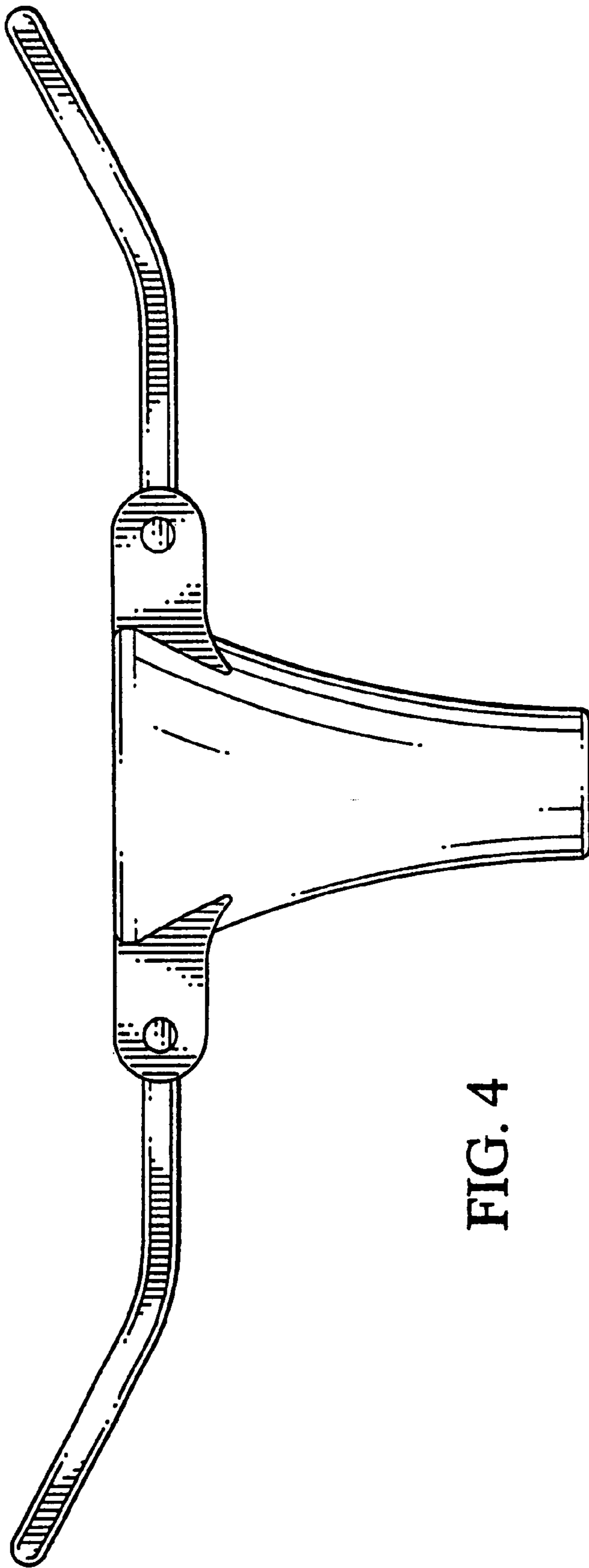


FIG. 4

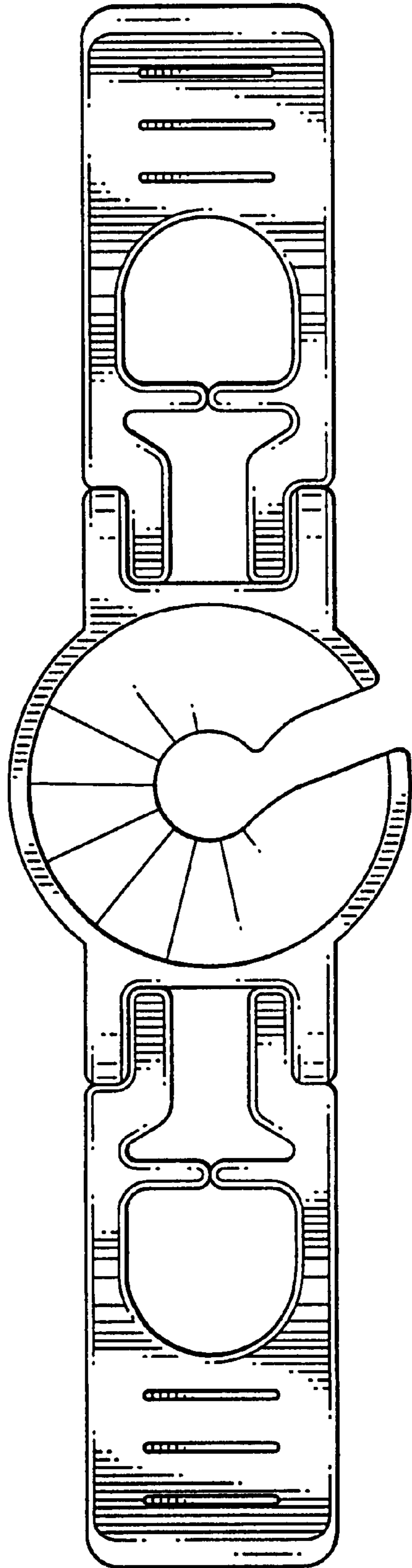


FIG. 5

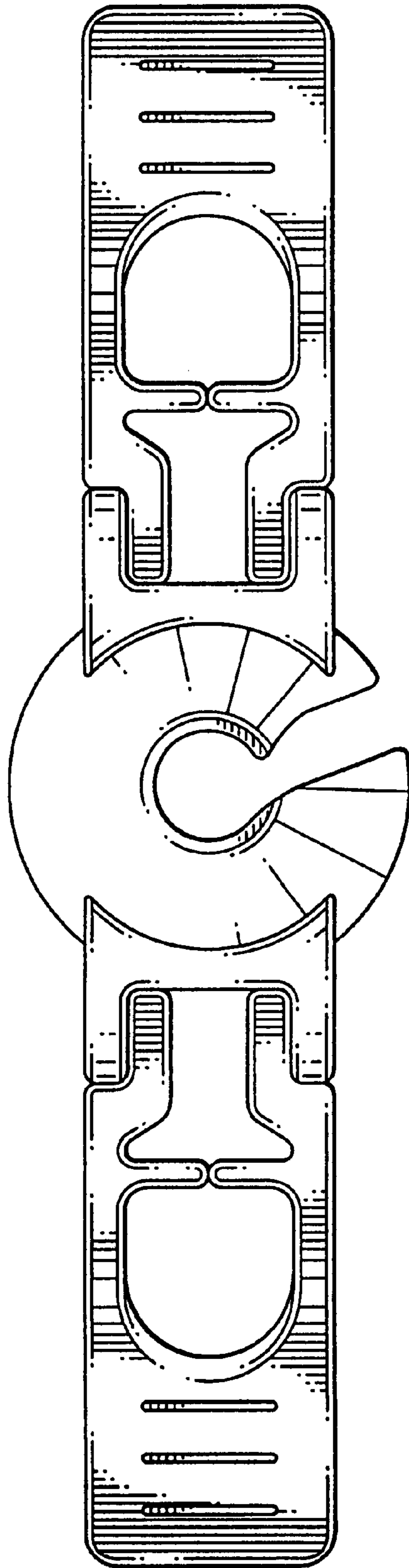


FIG. 6

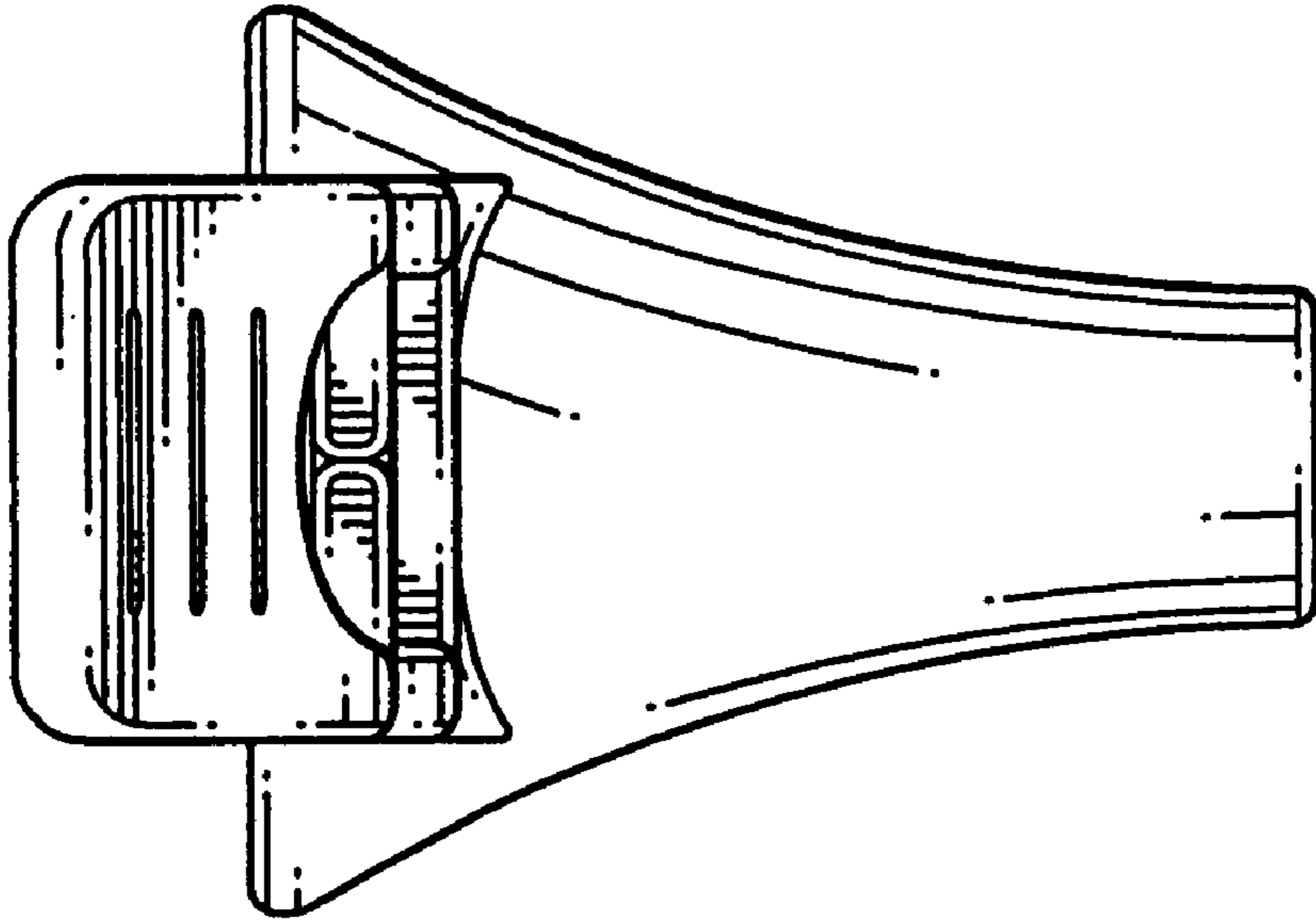


FIG. 8

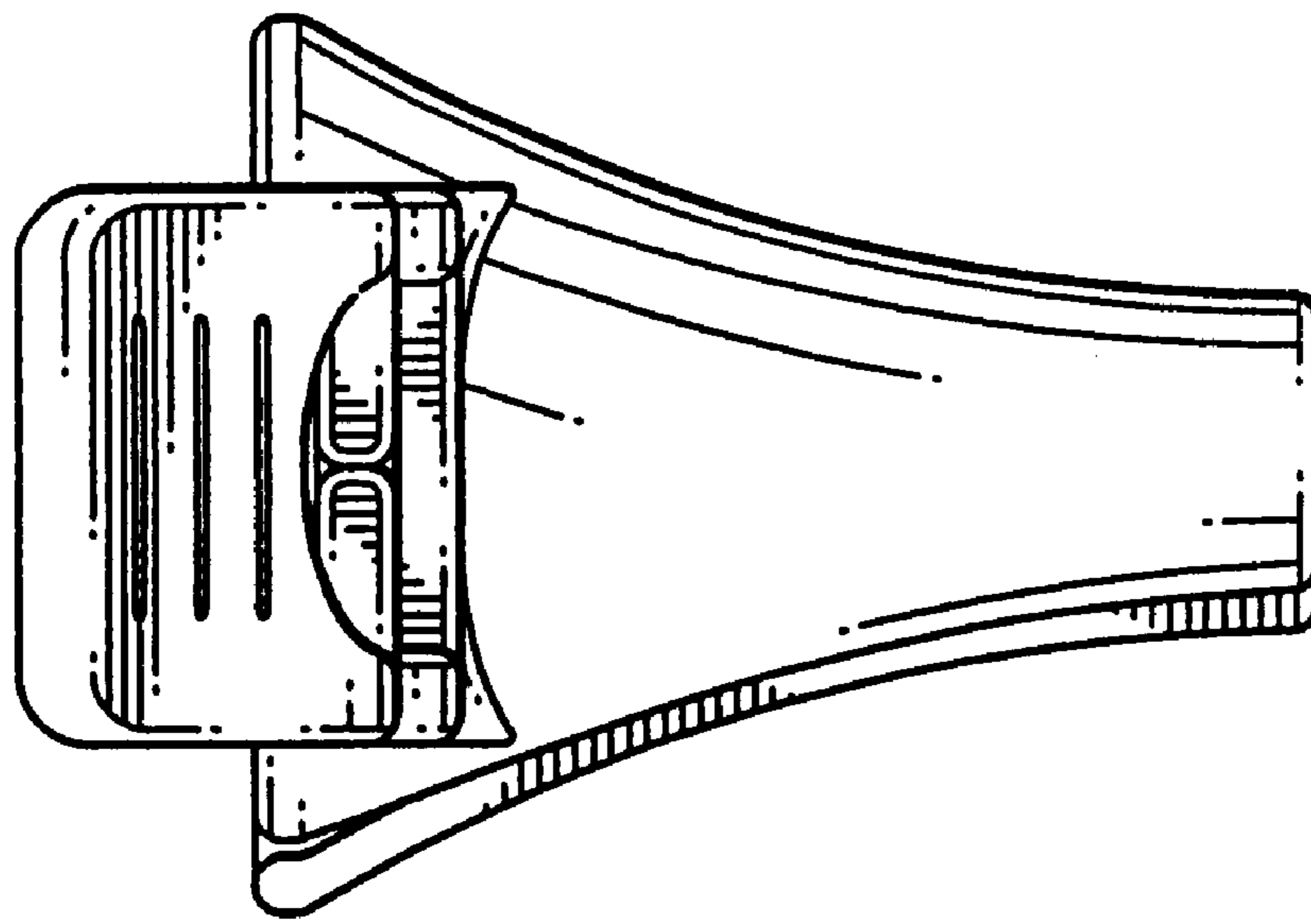


FIG. 7