



US00D487953S

(12) **United States Design Patent**  
**Trudeau**

(10) **Patent No.:** **US D487,953 S**

(45) **Date of Patent:** **\*\* Apr. 6, 2004**

(54) **HAT**

(76) **Inventor:** **Ronald J. Trudeau**, 4042 Albatross St.  
#35, San Diego, CA (US) 92103

(\*\*) **Term:** **14 Years**

(21) **Appl. No.:** **29/172,480**

(22) **Filed:** **Dec. 11, 2002**

(51) **LOC (7) Cl.** ..... **02-03**

(52) **U.S. Cl.** ..... **D2/886**

(58) **Field of Search** ..... D2/865, 866, 871,  
D2/873, 874, 875, 884, 886, 887; 2/171,  
175.1, 175.2, 175.3, 175.5, 175.8, 175.9,  
181, 183, 195.1, 209.13

(56) **References Cited**

**U.S. PATENT DOCUMENTS**

78,036 A	*	5/1868	White	2/175.1
213,008 A	*	3/1879	Thomas	2/175.8
1,071,374 A	*	8/1913	Veider	2/175.8
1,342,132 A	*	6/1920	Peters	2/175.1

1,490,565 A	*	4/1924	Hunter	2/175.3
2,769,272 A	*	11/1956	Goldman	2/175.3
5,488,740 A	*	2/1996	Garza	2/175.1
6,163,888 A	*	12/2000	Park	2/183
6,216,277 B1	*	4/2001	Cheng	2/175.5

\* cited by examiner

*Primary Examiner*—Robert M. Spear

*Assistant Examiner*—Mimosa De

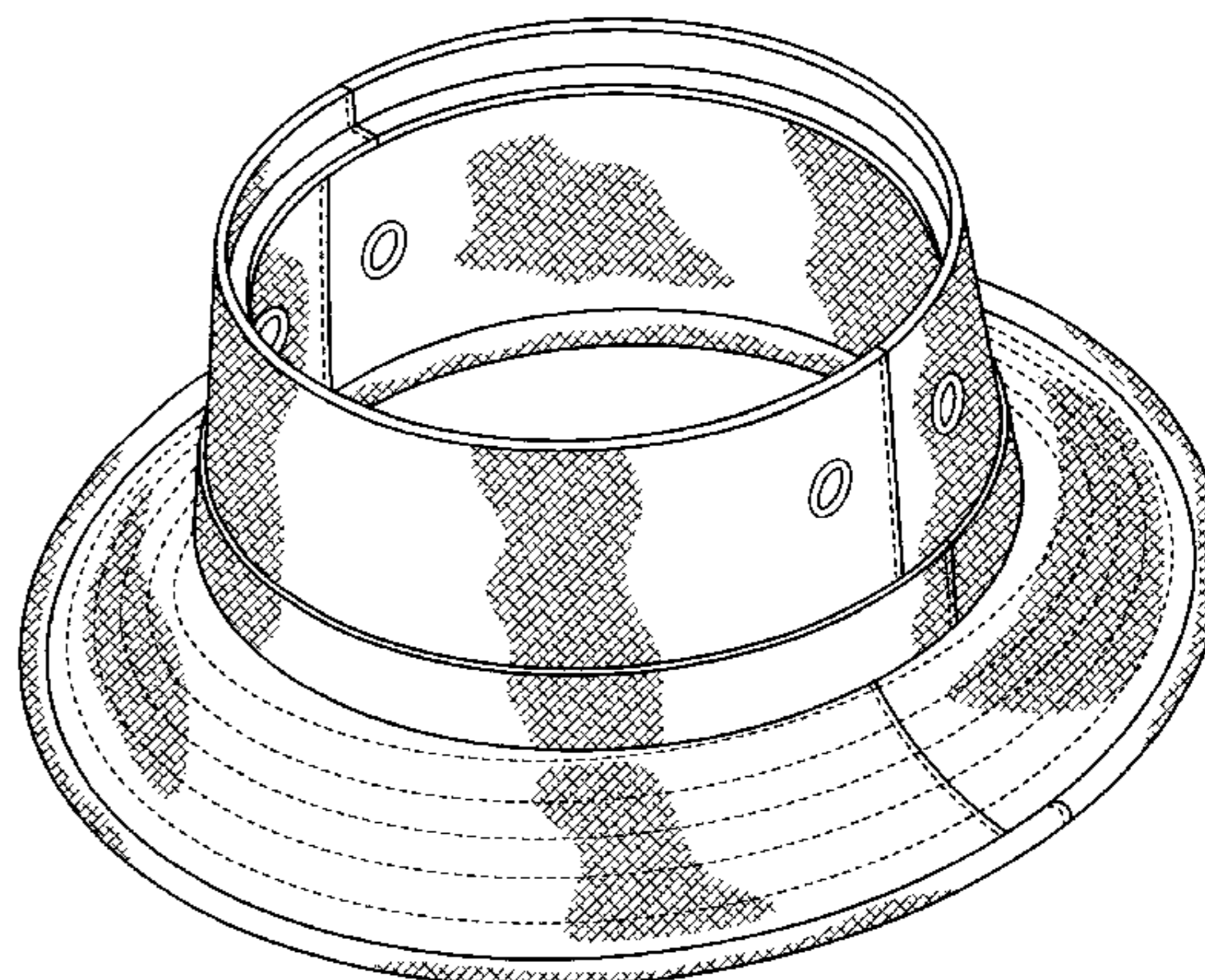
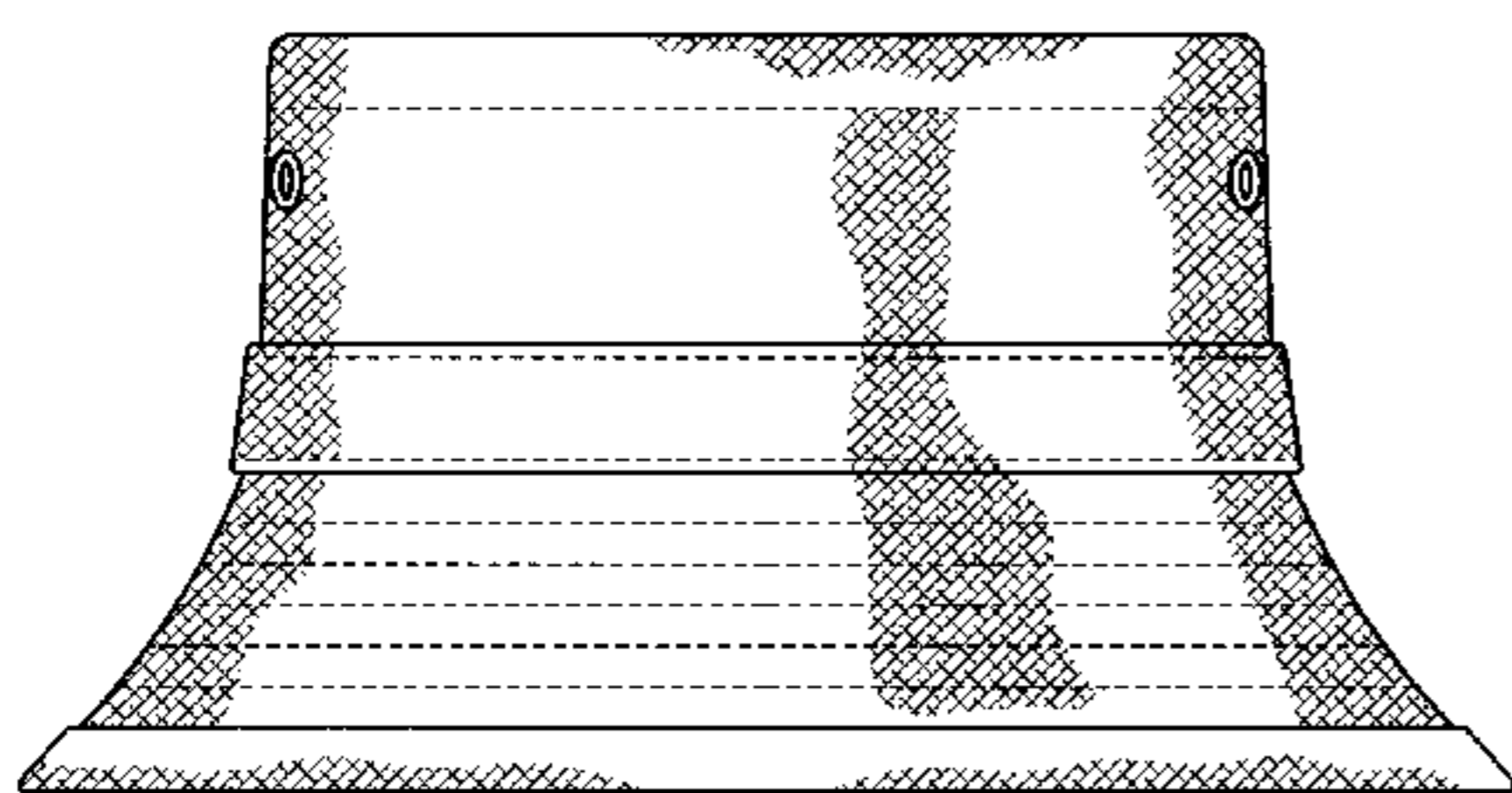
(57) **CLAIM**

The ornamental design for a hat, as shown and described.

**DESCRIPTION**

FIG. 1 is a front elevational view of a hat showing my new design, the rear elevational view being the same thereas; FIG. 2 is a side view, taken from the left side of FIG. 1, the right side view being a mirror image thereof; FIG. 3 is a top plan view thereof; FIG. 4 is a bottom plan view thereof; and, FIG. 5 is a perspective view thereof.

**1 Claim, 4 Drawing Sheets**



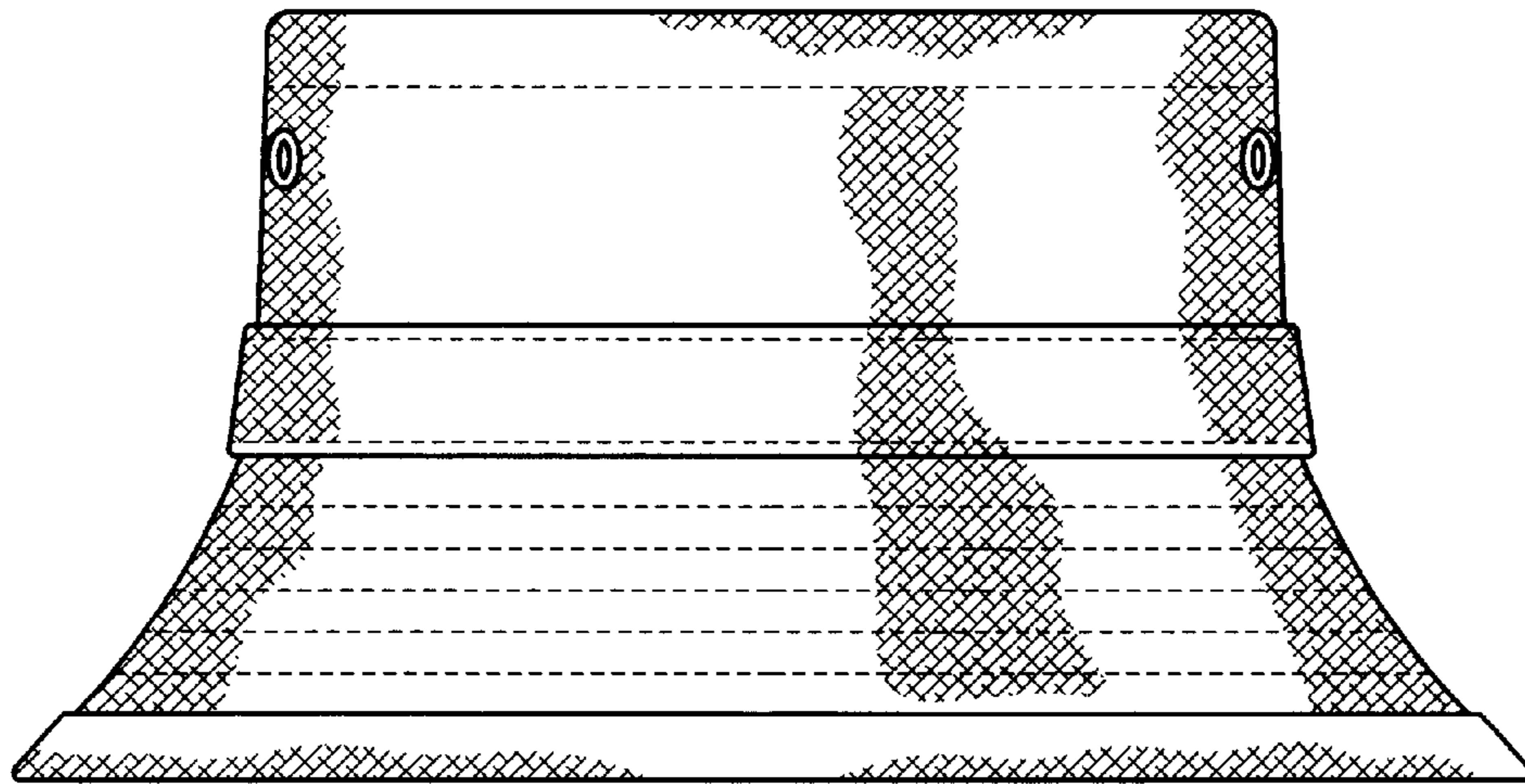


FIG. 1

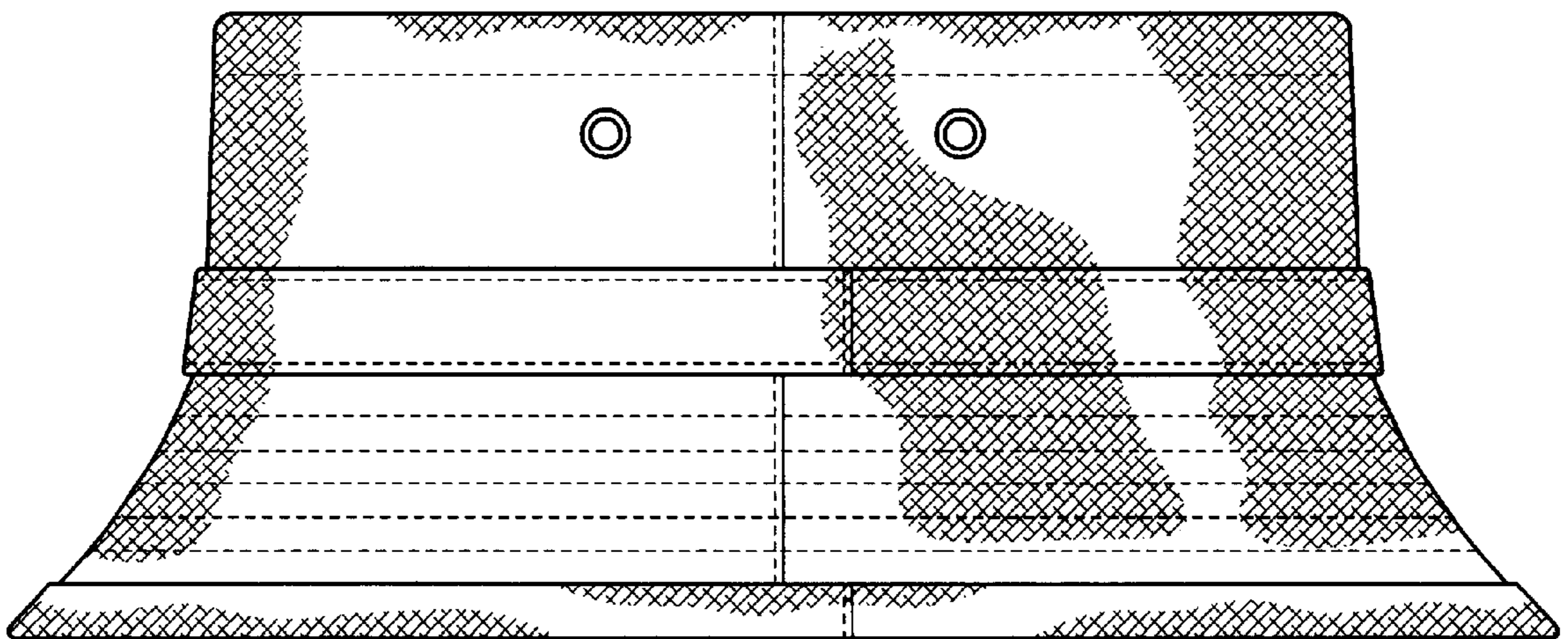


FIG. 2

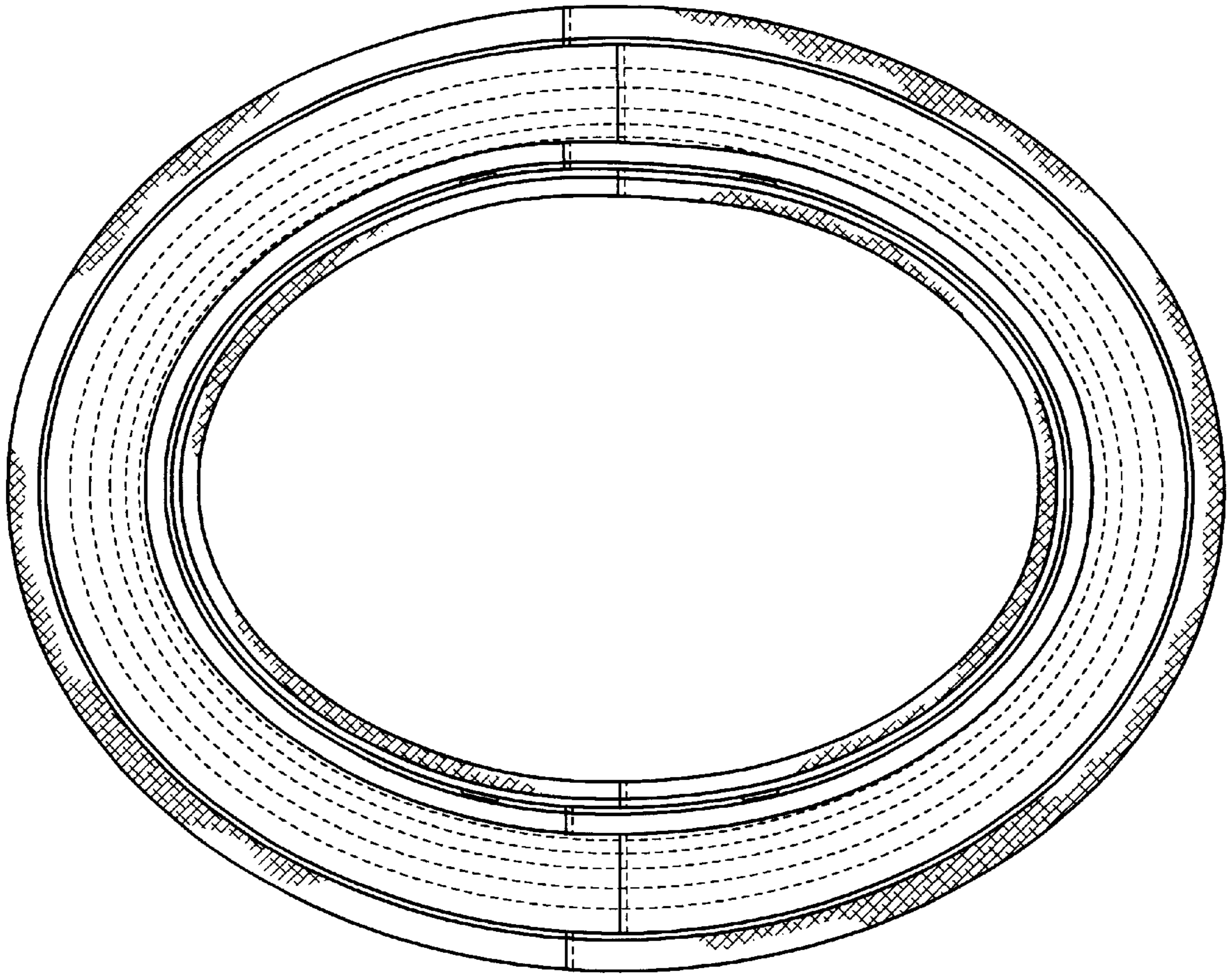


FIG.3

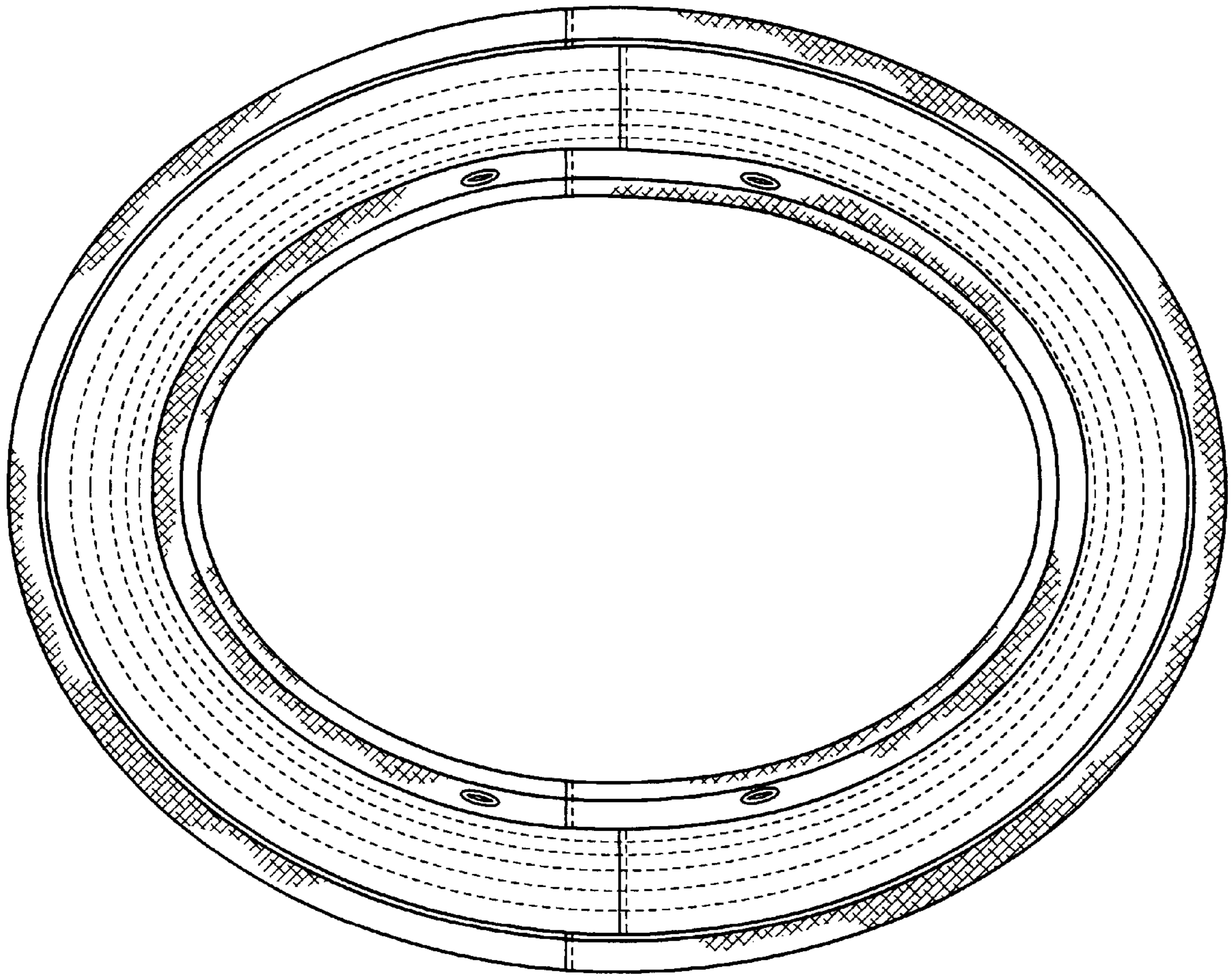


FIG.4

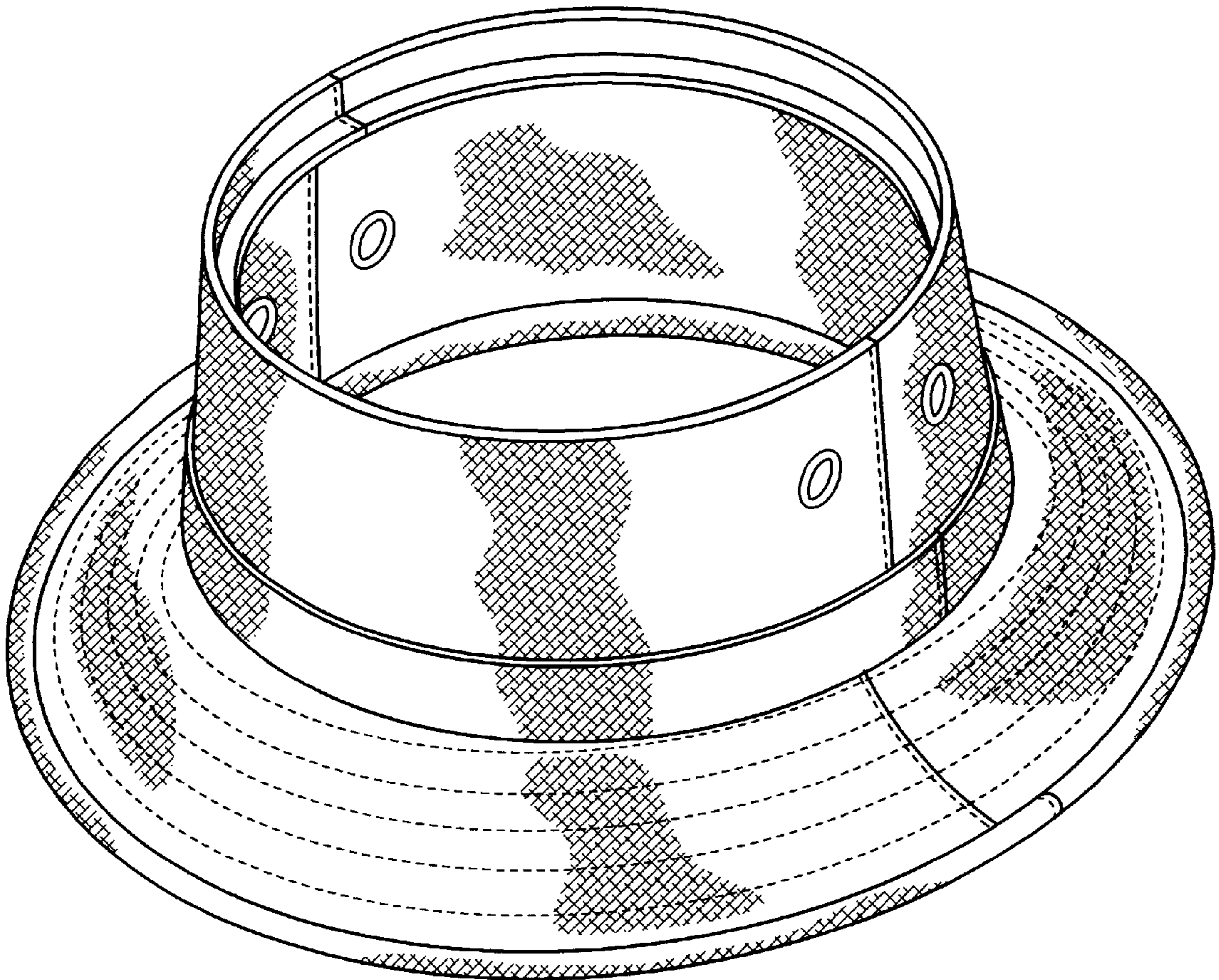


FIG.5