



US00D487952S

(12) **United States Design Patent**  
**Wyatt**

(10) **Patent No.:** **US D487,952 S**

(45) **Date of Patent:** **\*\* Apr. 6, 2004**

(54) **SCARF**

JP 10-158913 6/1998

(76) Inventor: **Joyce M. Wyatt**, 1405 N. 64<sup>th</sup> Dr.,  
Kansas City, KS (US) 66102

\* cited by examiner

(\*\*) Term: **14 Years**

*Primary Examiner*—Paula A. Mortimer  
(74) *Attorney, Agent, or Firm*—David E Herron, II

(21) Appl. No.: **29/162,139**

(57) **CLAIM**

(22) Filed: **Jun. 11, 2002**

I claim an ornamental design for a scarf, as shown and described.

(51) **LOC (7) Cl.** ..... **02-05**

**DESCRIPTION**

(52) **U.S. Cl.** ..... **D2/500**

(58) **Field of Search** ..... D2/500, 501, 502,  
D2/600, 605, 860, 861; 2/171.1, 202, 203,  
207, 48, 50, 91, 88

FIG. 1 is a plan view showing my ornamental design for a scarf;

(56) **References Cited**

**U.S. PATENT DOCUMENTS**

2,308,449	A	*	1/1943	Katzman et al. ....	D2/500 X
2,452,972	A	*	11/1948	Von Rodenstein .....	2/91
2,665,425	A	*	1/1954	Cody .....	2/48
2,804,626	A	*	9/1957	Rossiter .....	2/91
3,470,566	A	*	10/1969	Battaglia et al. ....	2/48
4,280,227	A	*	7/1981	Brock .....	2/88
4,615,047	A	*	10/1986	Matsuoka .....	2/50
D368,571	S		4/1996	Worku	
D382,685	S		8/1997	Mayer et al.	
5,802,618	A		9/1998	Mustata	
D400,335	S		11/1998	Metcalf	
5,950,235	A	*	9/1999	Tata .....	2/48
6,065,156	A		5/2000	Murphy	
6,226,799	B1		5/2001	Lane	
D443,753	S		6/2001	Vasquez	
D445,993	S		8/2001	Raol	

FIG. 2 is a plan view showing my ornamental design for a scarf, shown with the scarf folded along a first diagonal;

FIG. 3 is a plan view showing my ornamental design for a scarf, shown with the scarf folded along a second diagonal;

FIG. 4 is a front perspective view showing my ornamental design for a scarf, shown as the scarf would be worn by a user; and,

FIG. 5 is a rear perspective view showing my ornamental design for a scarf, shown as the scarf would be worn by a user.

The human figure shown in phantom in FIGS. 4 and 5 is shown for illustrative purposes only, and forms no part of the claimed design. Additionally, FIG. 4 is shown in combination with a scarf ring, also shown in phantom. The scarf ring is shown for illustrative purposes only, and does not form part of the claimed ornamental design.

The scarf is generally made from a fabric having substantially uniform thickness. Therefore, side or edge views would not assist in the understanding of the inventive design.

**FOREIGN PATENT DOCUMENTS**

JP 10-121311 5/1998

**1 Claim, 3 Drawing Sheets**

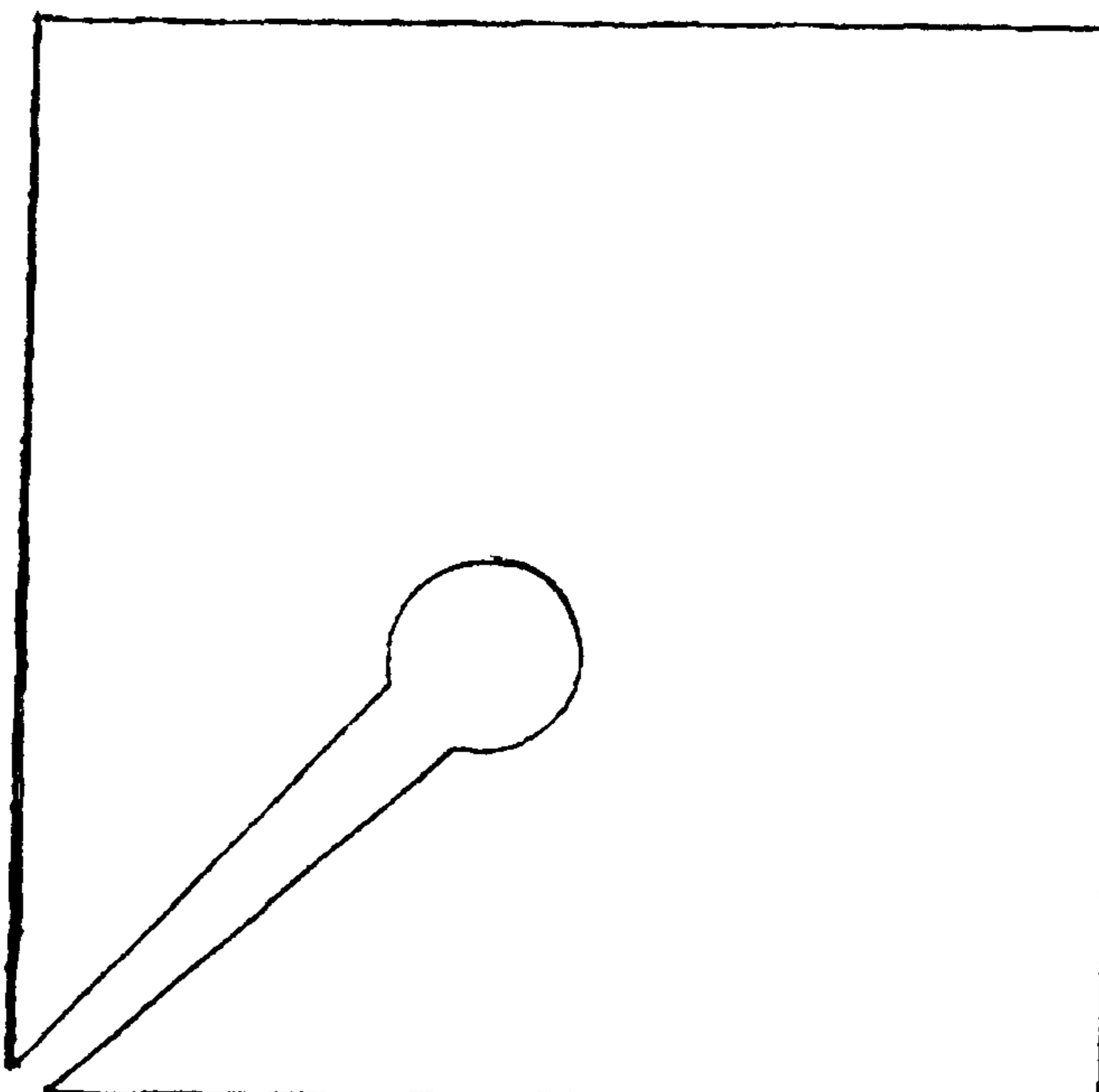


Fig. 1

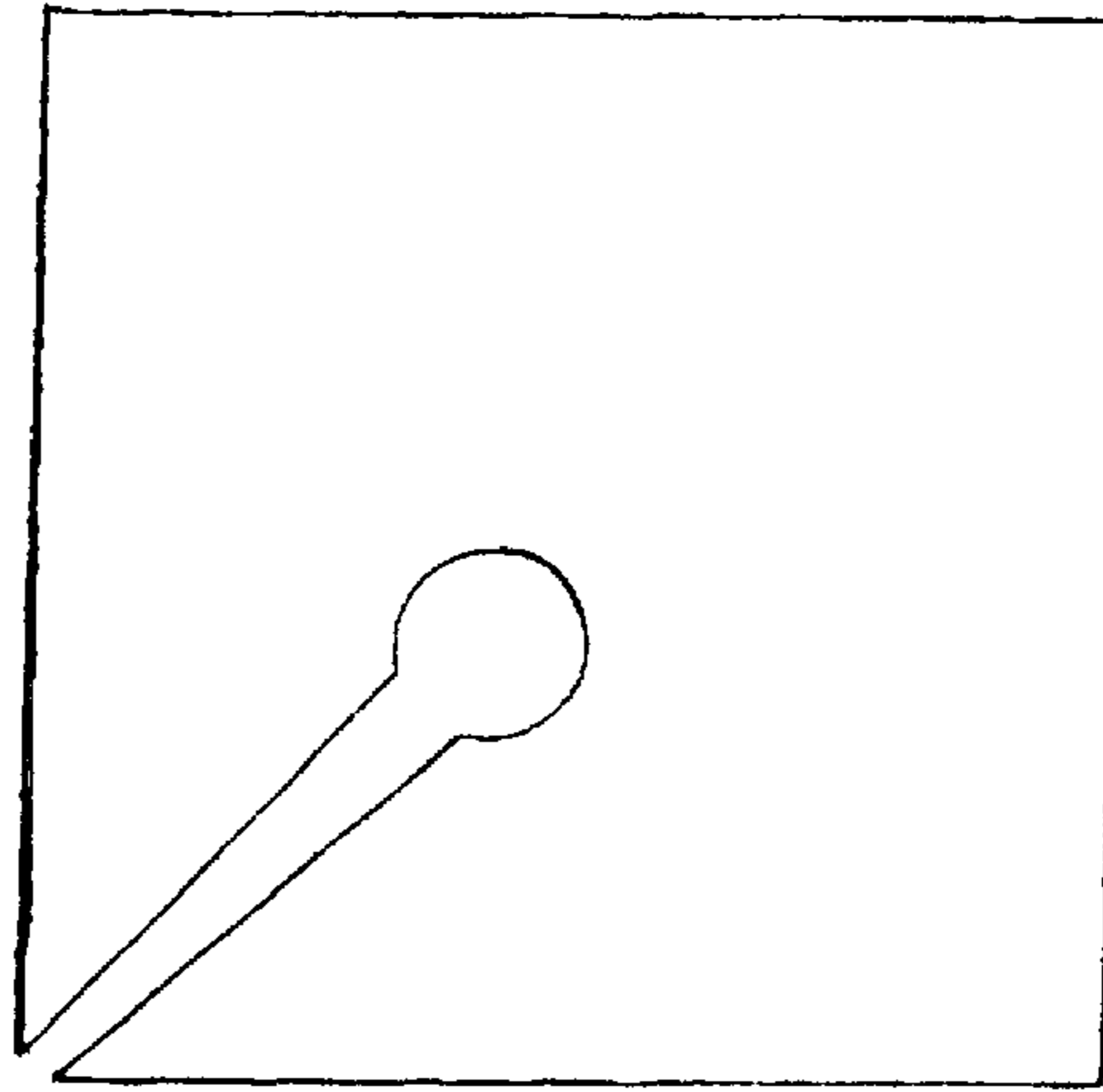


Fig. 2

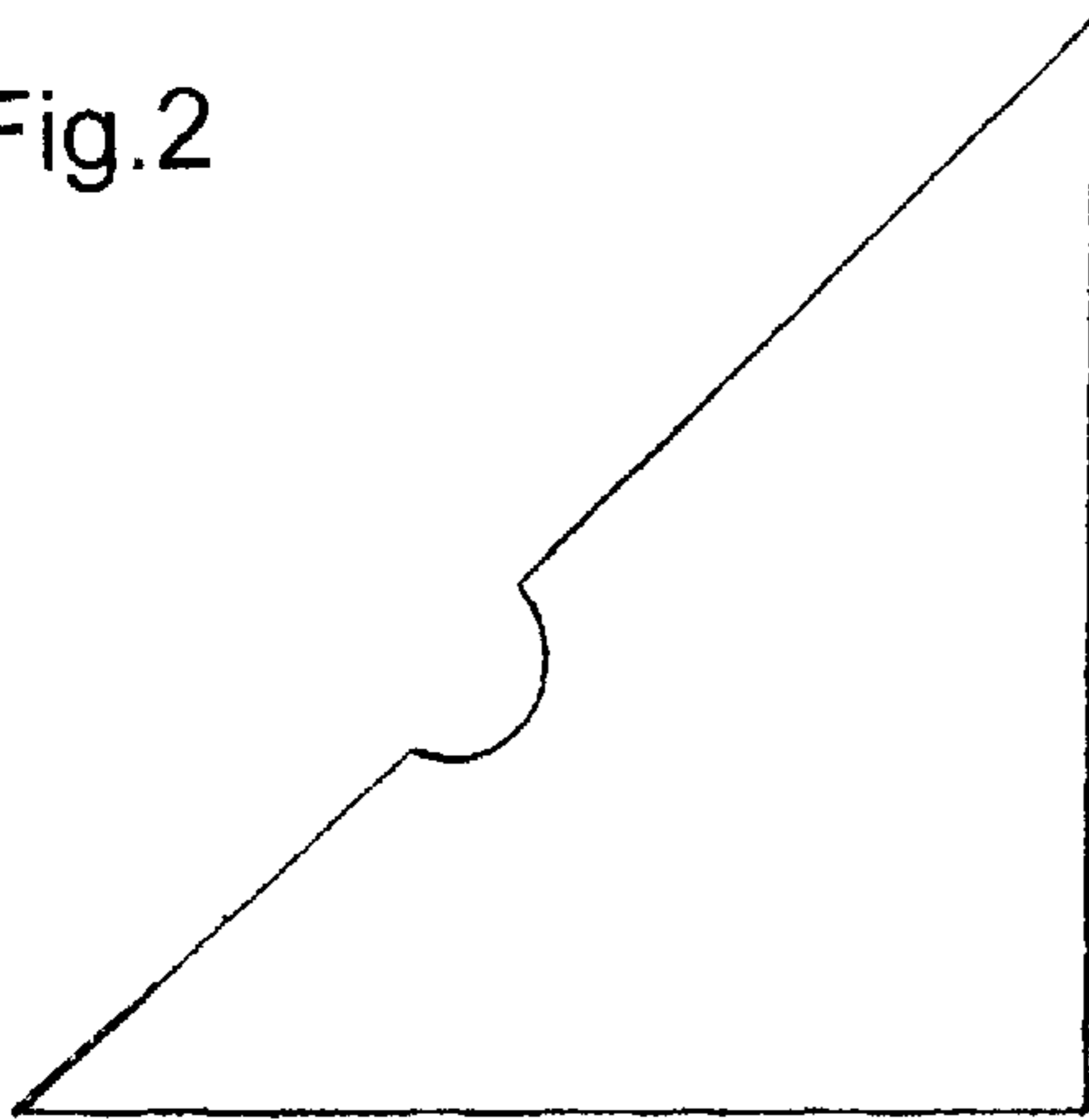
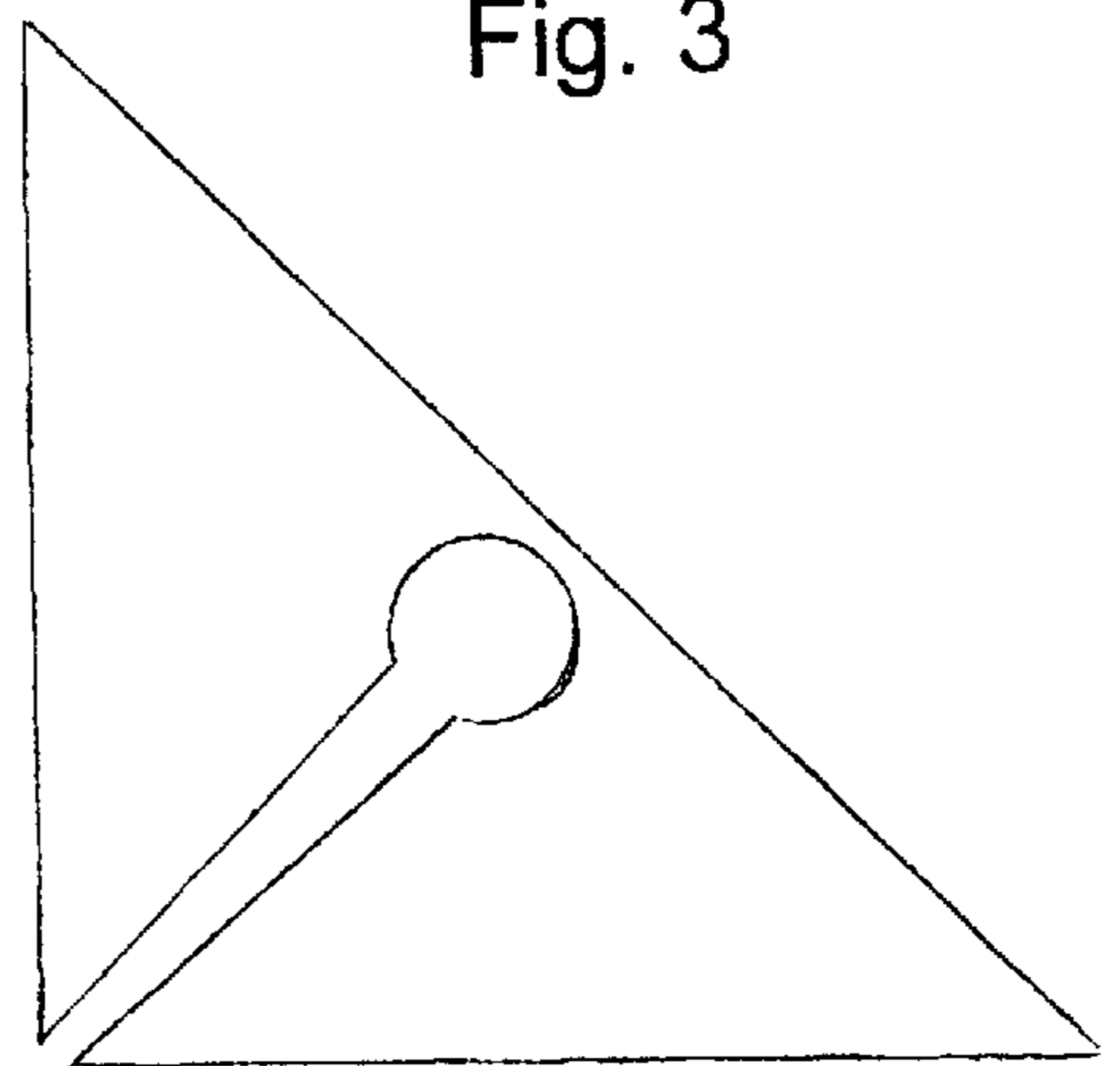


Fig. 3



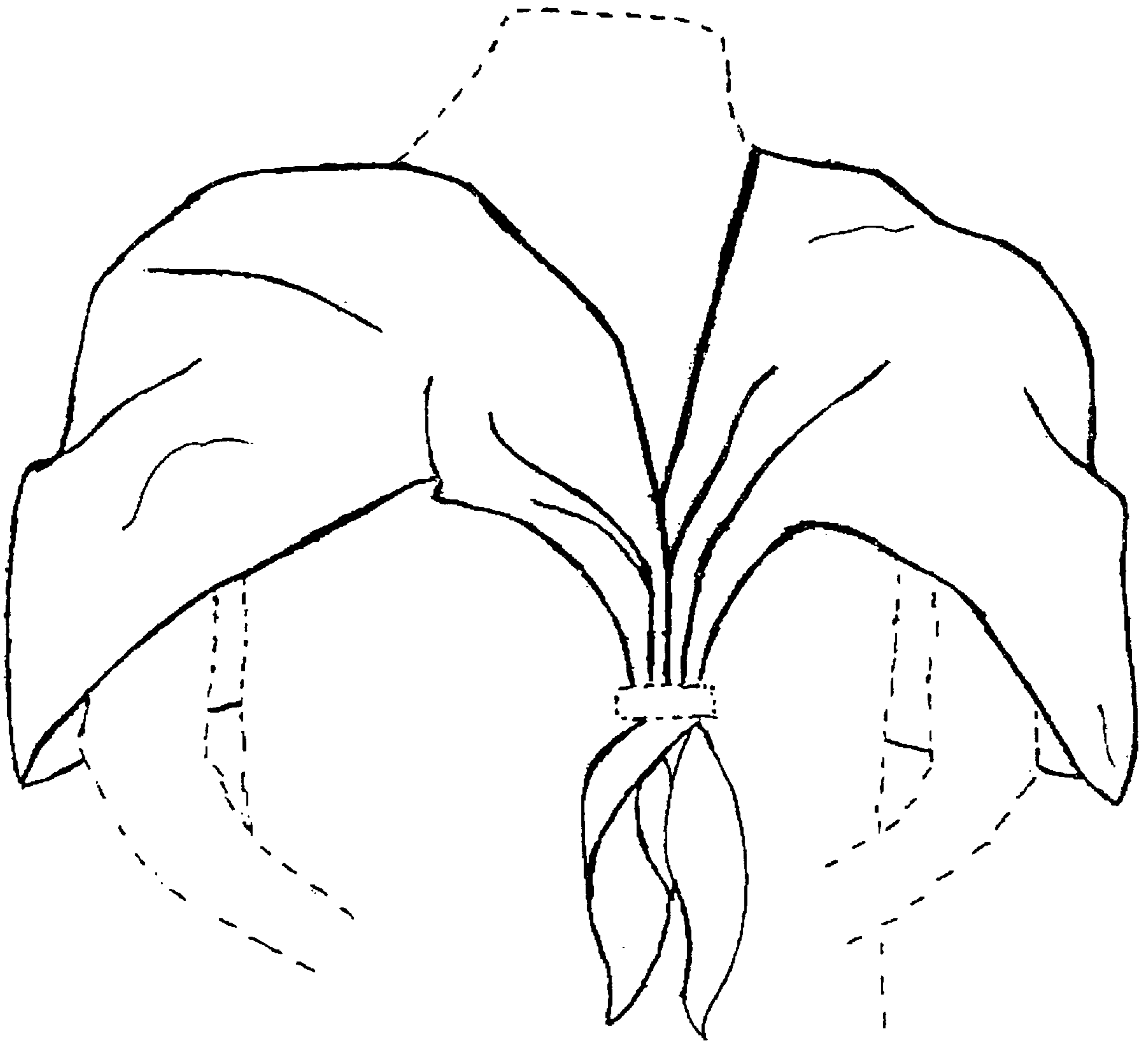


Fig. 4

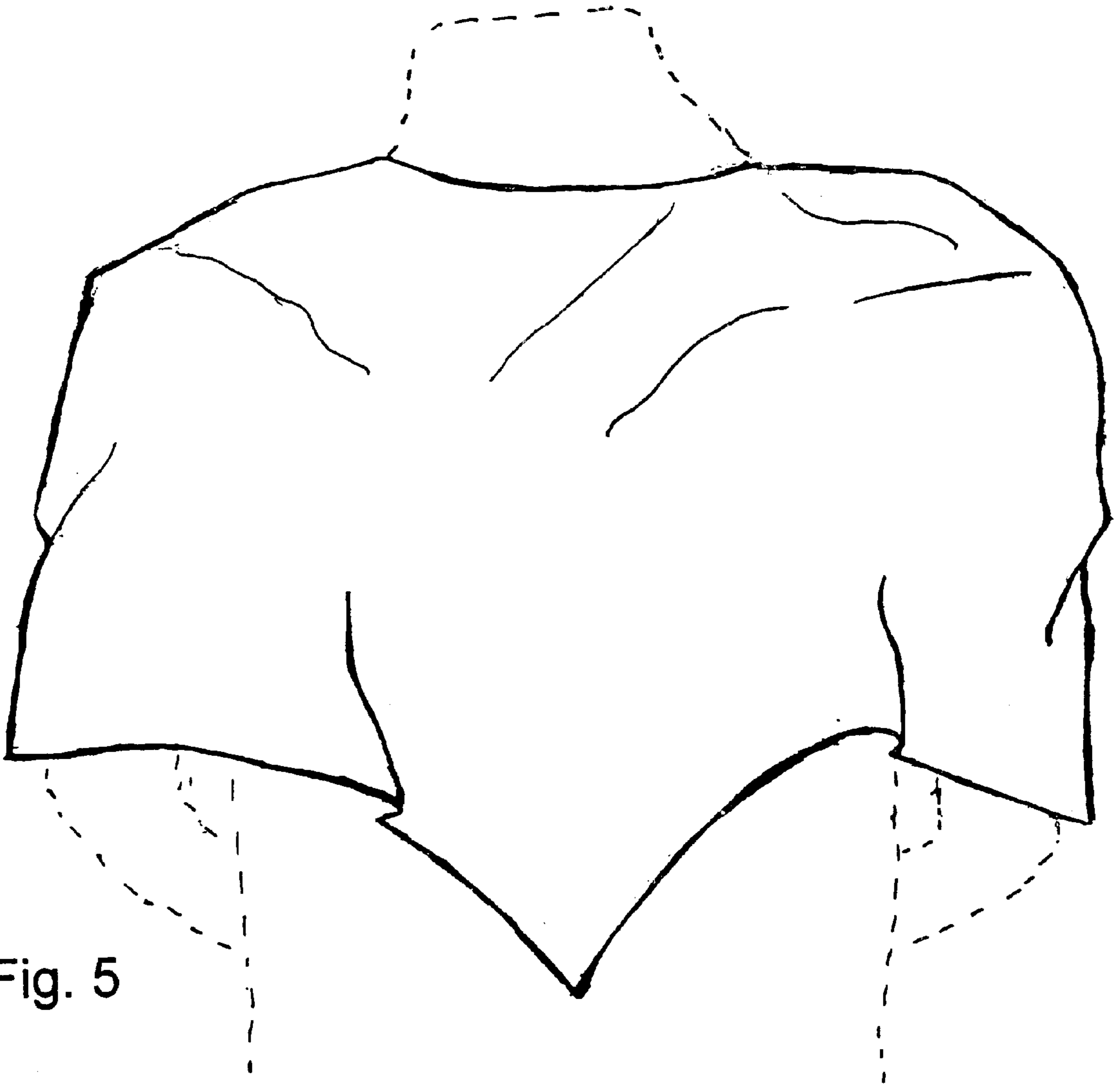


Fig. 5