



US00D487950S

(12) **United States Design Patent** (10) **Patent No.:** **US D487,950 S**
Scordo (45) **Date of Patent:** **** Mar. 30, 2004**

(54) **SUPPORT STAND FOR SELF-SERVICE VEHICLE WASHING PUMP CONSOLE**

(76) Inventor: **Donald W. Scordo**, 251 Pebble Beach Trail, Webster, NY (US) 14580

(**) Term: **14 Years**

(21) Appl. No.: **29/172,021**

(22) Filed: **Dec. 4, 2002**

Related U.S. Application Data

(63) Continuation-in-part of application No. 29/153,567, filed on Jan. 9, 2002, now Pat. No. Des. 470,640.

(51) **LOC (7) Cl.** **12-02**

(52) **U.S. Cl.** **D34/25**

(58) **Field of Search** D34/24, 25; 134/57 R; 194/3; 222/1; 239/104, 61, 67, 112, 124, 172, 280, 288, 304

(56) **References Cited**

U.S. PATENT DOCUMENTS

4,327,866 A 5/1982 Mason
D343,938 S * 2/1994 Liverman D34/25

* cited by examiner

Primary Examiner—Antoine Duval Davis

(74) *Attorney, Agent, or Firm*—Brian B. Shaw, Esq.; Donna P. Suchy, Esq.; Harter, Secrest & Emery LLP

(57) **CLAIM**

The design for a support stand for self-service vehicle washing pump console, as shown and described.

DESCRIPTION

FIG. 1 is a perspective view of a further configuration of support stand for self-service vehicle washing pump console;

FIG. 2 is a top plan view of the support stand for self-service vehicle washing pump console as shown in FIG. 1;

FIG. 3 is a bottom plan view of the support stand for self-service vehicle washing pump console as shown in FIG. 1;

FIG. 4 is a left side elevational view of the support stand for self-service vehicle washing pump console as shown in FIG. 1;

FIG. 5 is a right side elevational view of the support stand for self-service vehicle washing pump console as shown in FIG. 1;

FIG. 6 is a front elevational view of the support stand for self-service vehicle washing pump console as shown in FIG. 1;

FIG. 7 is a rear elevational view of the support stand for self-service vehicle washing pump console as shown in FIG. 1;

FIG. 8 is a perspective view of a further configuration of the embodiment of the support stand for self-service vehicle washing pump console;

FIG. 9 is a top plan view of the support stand for self-service vehicle washing pump console as shown in FIG. 8;

FIG. 10 is a bottom plan view of the support stand for self-service vehicle washing pump console as shown in FIG. 8;

FIG. 11 is a left side elevational view of the support stand for self-service vehicle washing pump console as shown in FIG. 8;

FIG. 12 is a right side elevational view of the support stand for self-service vehicle washing pump console as shown in FIG. 8;

FIG. 13 is a front elevational view of the support stand for self-service vehicle washing pump console as shown in FIG. 8;

FIG. 14 is a rear elevational view of the support stand for self-service vehicle washing pump console as shown in FIG. 8;

FIG. 15 is a perspective view of a further configuration of the support stand for self-service vehicle washing pump console;

FIG. 16 is a top plan view of the support stand for self-service vehicle washing pump console as shown in FIG. 15;

FIG. 17 is a bottom plan view of the support stand for self-service vehicle washing pump console as shown in FIG. 15;

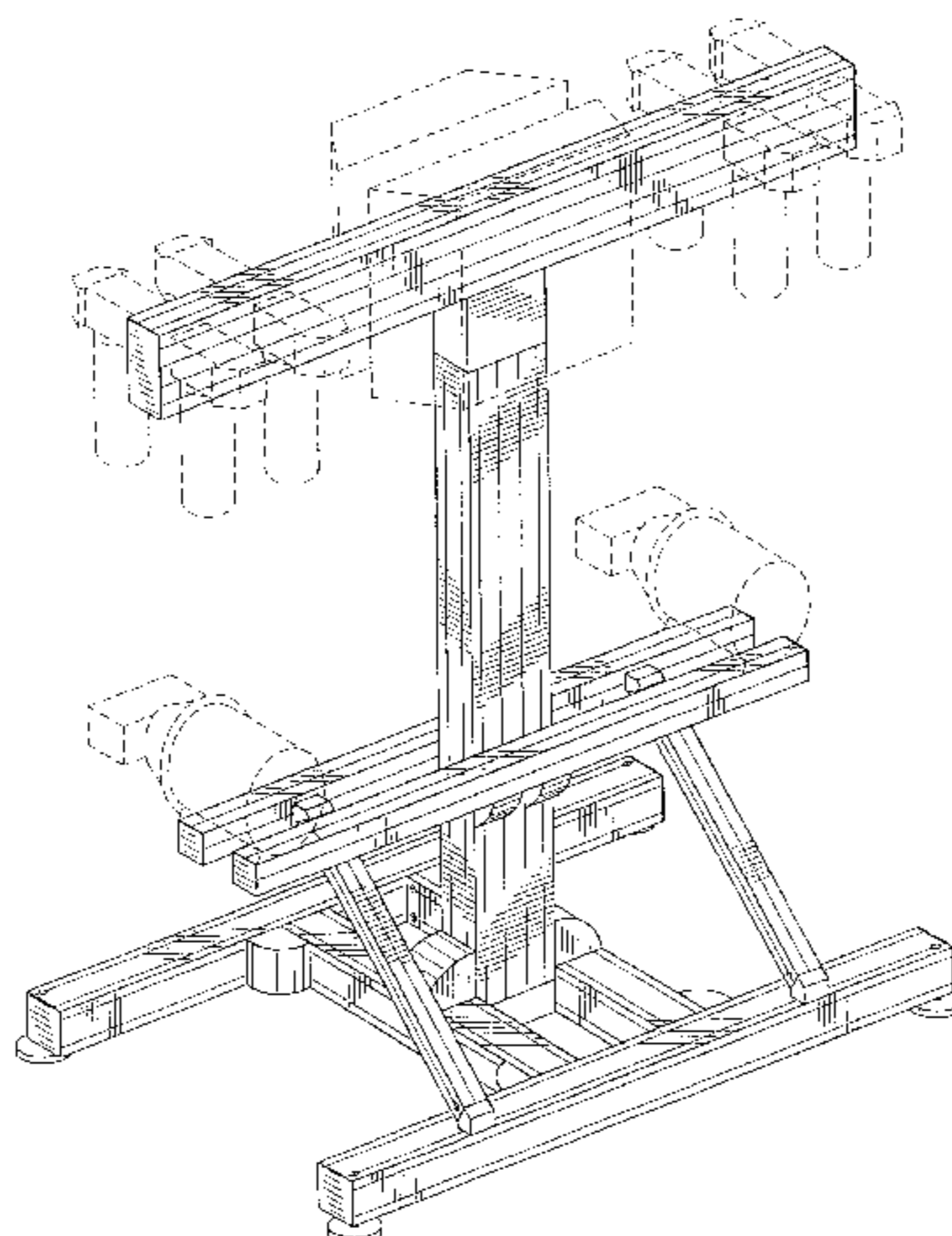


FIG. 18 is a left side elevational view of the support stand for self-service vehicle washing pump console as shown in FIG. 15;

FIG. 19 is a right side elevational view of the support stand for self-service vehicle washing pump console as shown in FIG. 15;

FIG. 20 is a front elevational view of the support stand for self-service vehicle washing pump console as shown in FIG. 15;

FIG. 21 is a rear elevational view of the support stand for self-service vehicle washing pump console as shown in FIG. 15;

FIG. 22 is a perspective view of a further configuration of the support stand for self-service vehicle washing pump console;

FIG. 23 is a top plan view of the support stand for self-service vehicle washing pump console as shown in FIG. 22;

FIG. 24 is a bottom plan view of the support stand for self-service vehicle washing pump console as shown in FIG. 22;

FIG. 25 is a left side elevational view of the support stand for self-service vehicle washing pump console as shown in FIG. 22;

FIG. 26 is a right side elevational view of the support stand for self-service vehicle washing pump console as shown in FIG. 22;

FIG. 27 is a front elevational view of the support stand for self-service vehicle washing pump console as shown in FIG. 22; and,

FIG. 28 is a rear elevational view of the support stand for self-service vehicle washing pump console as shown in FIG. 22.

1 Claim, 28 Drawing Sheets

FIG. 1

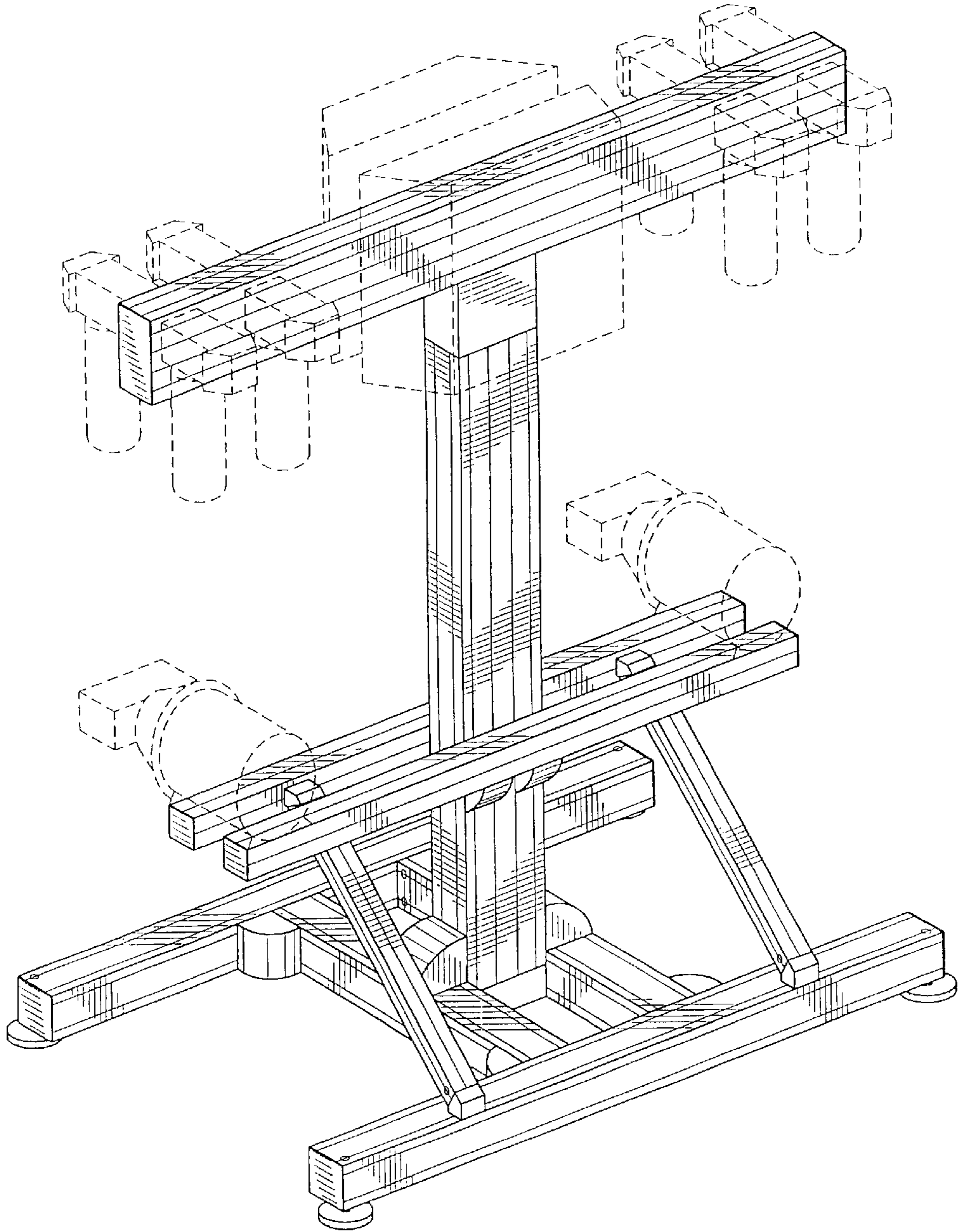


FIG. 2

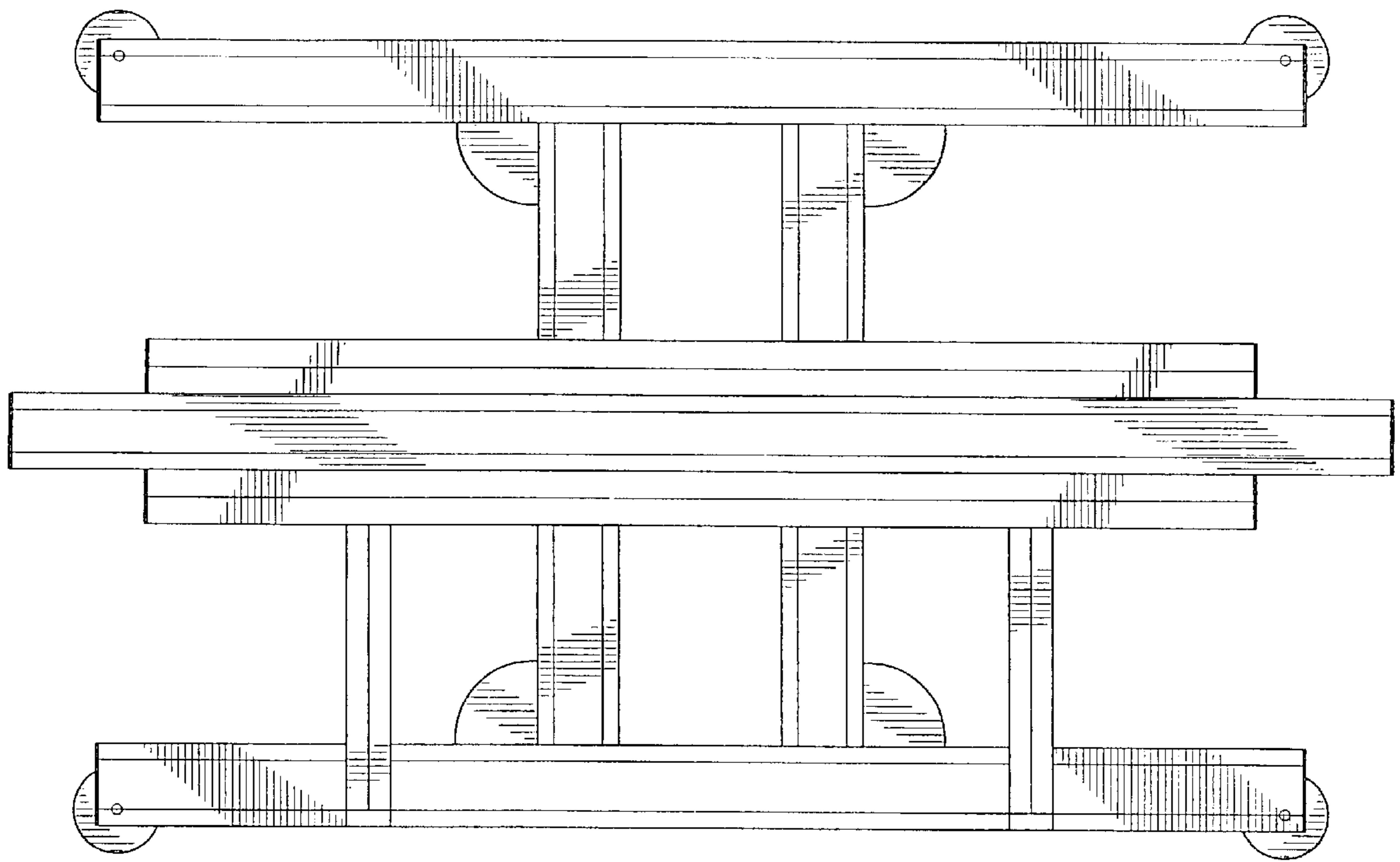


FIG. 3

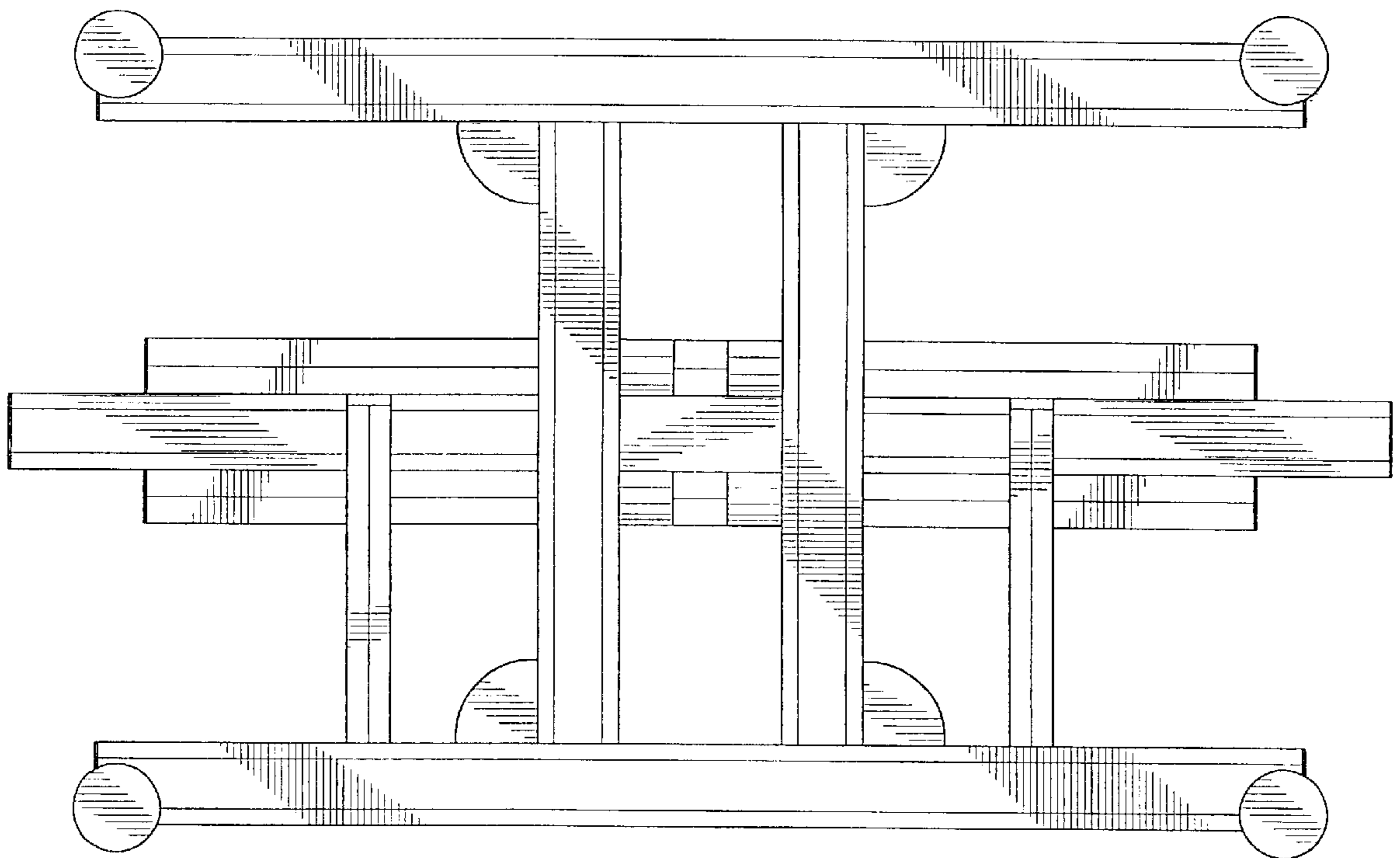


FIG. 4

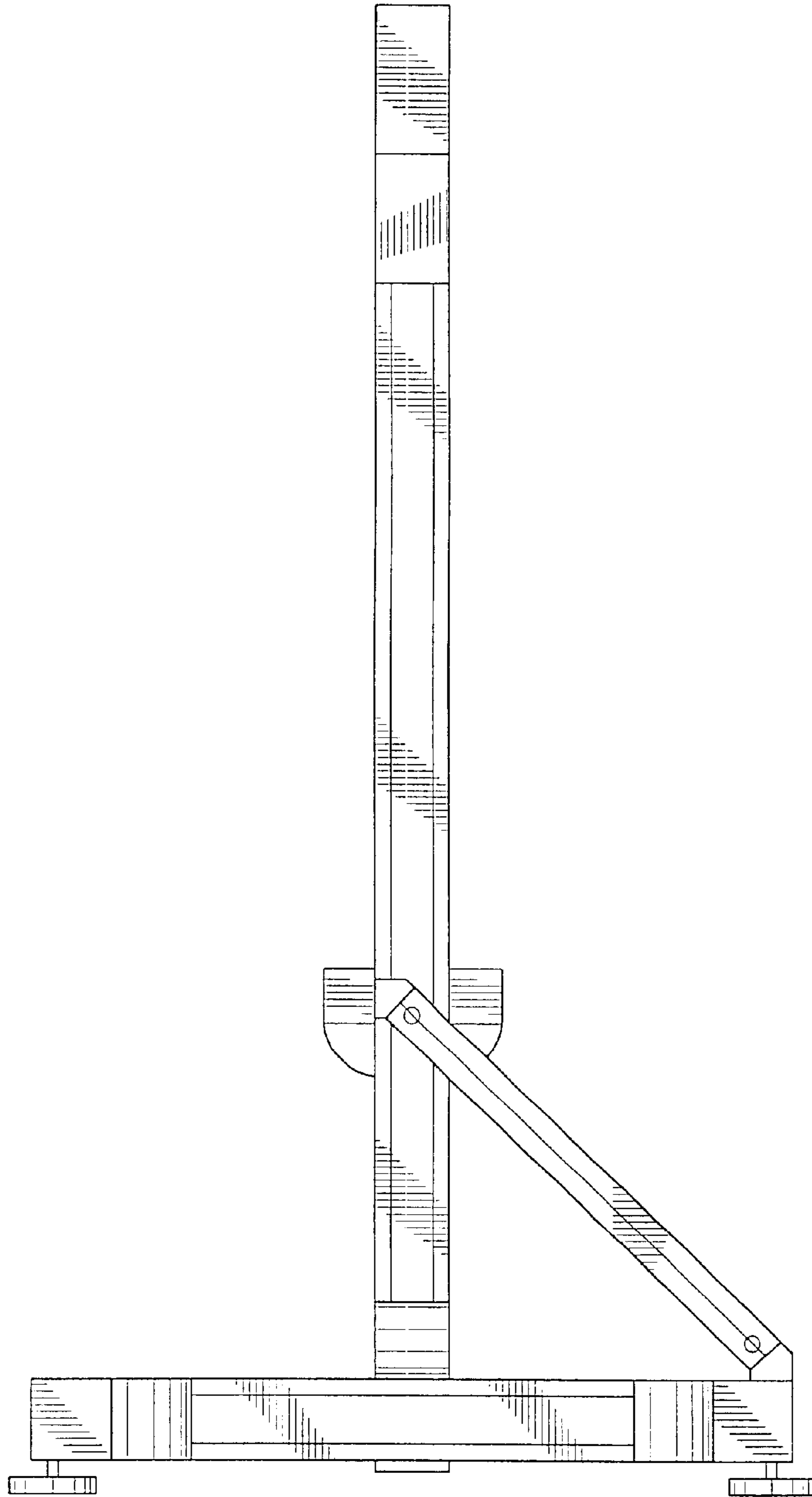


FIG. 5

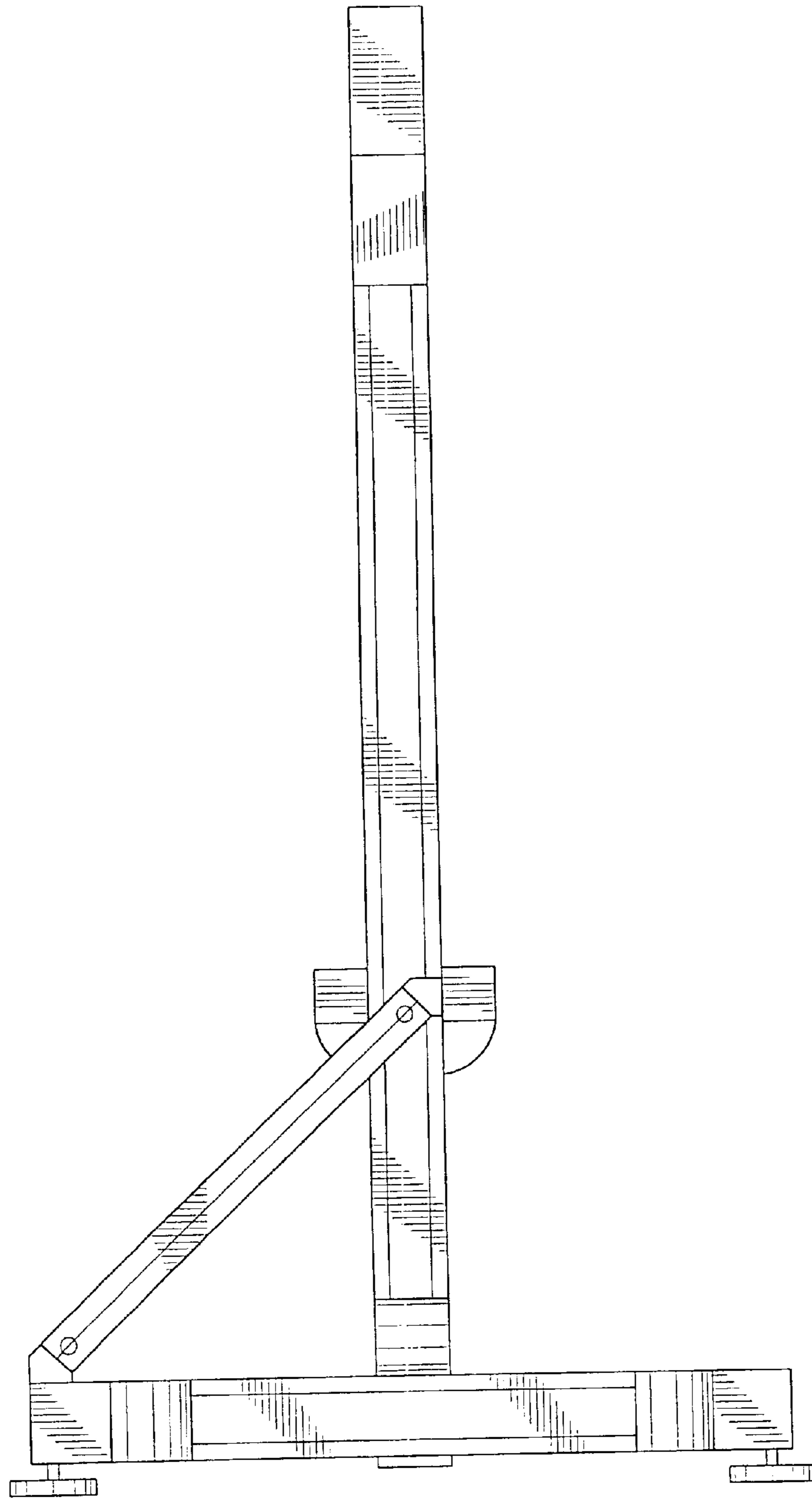


FIG. 6

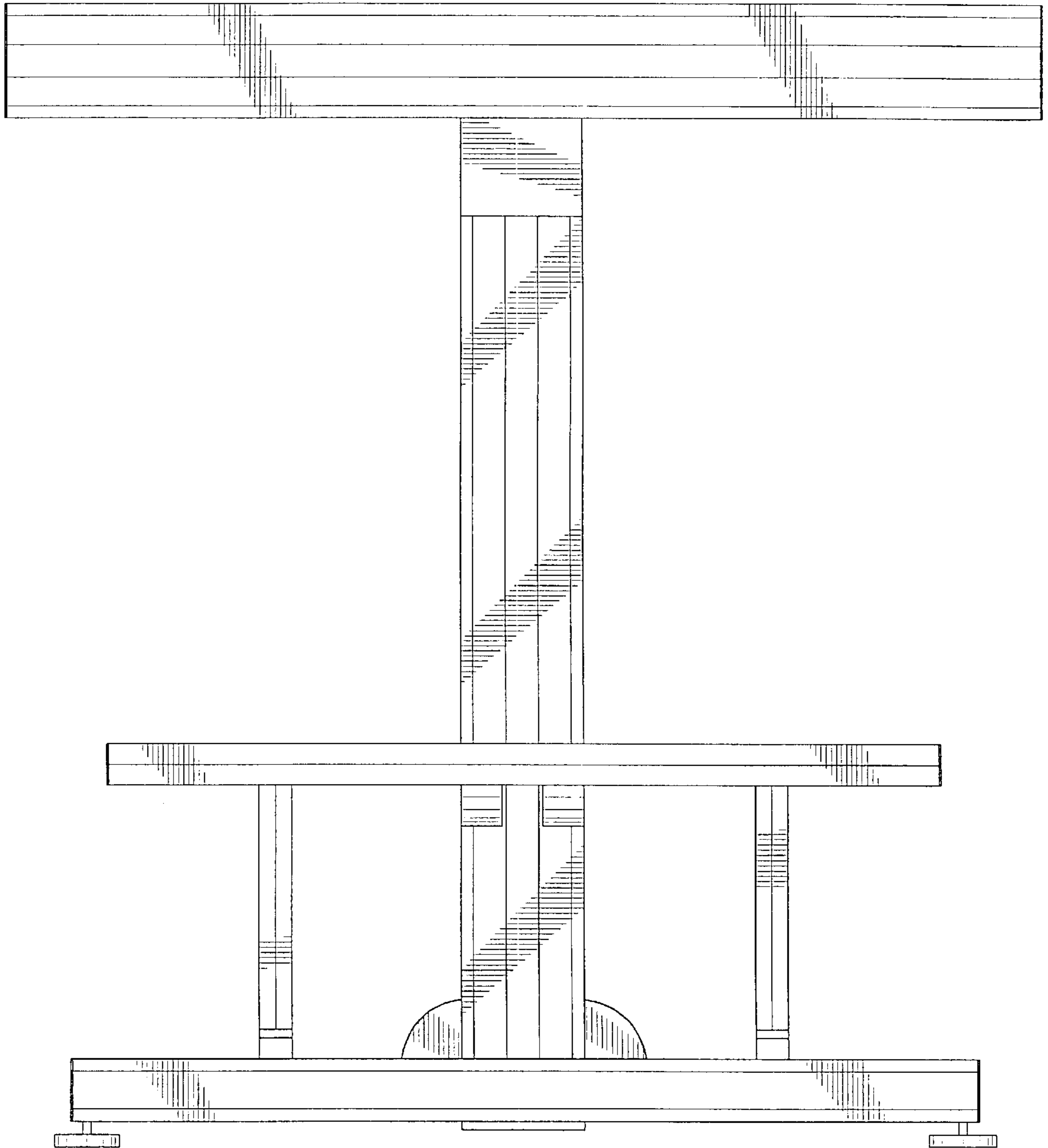


FIG. 7

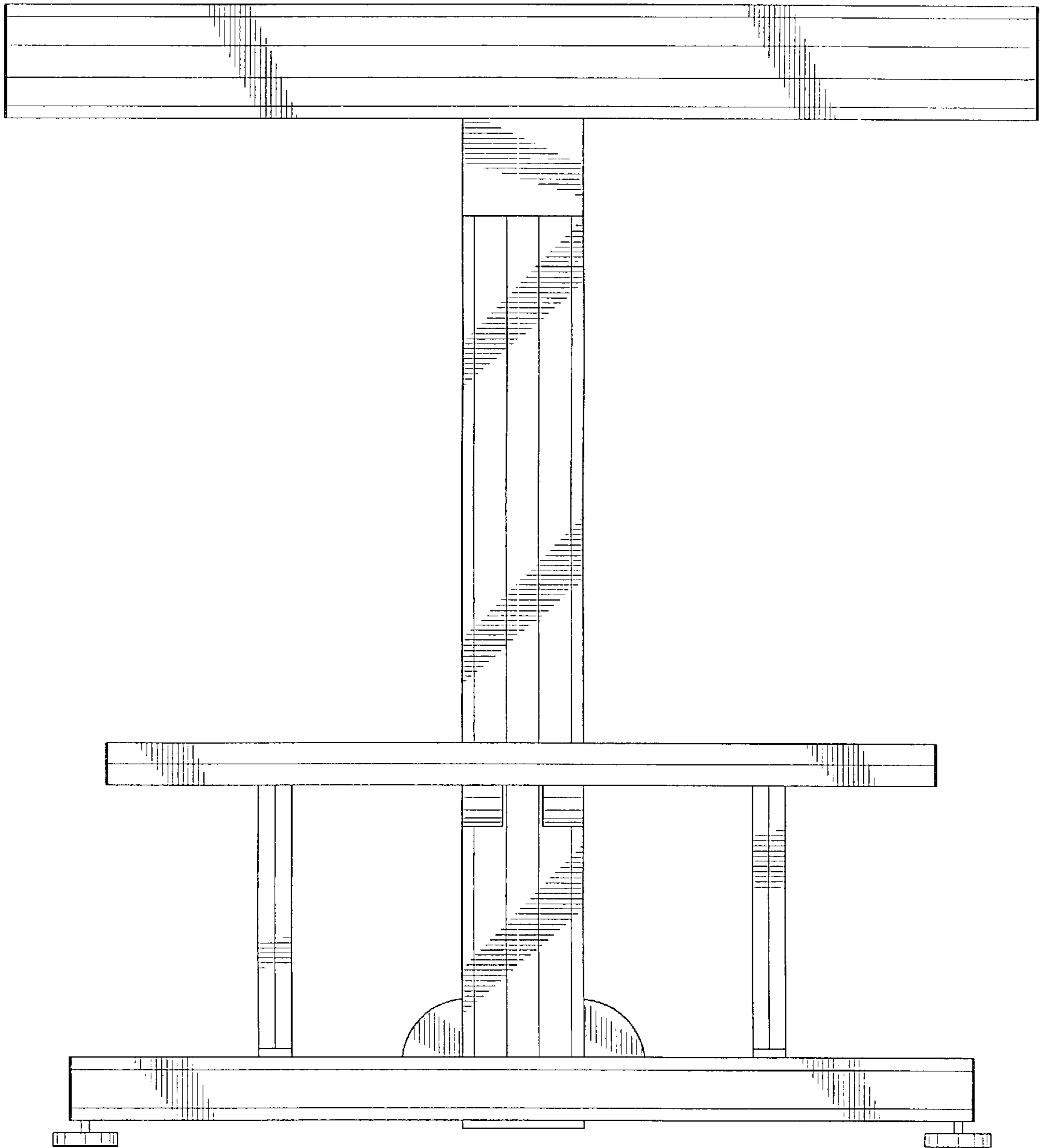


FIG. 8

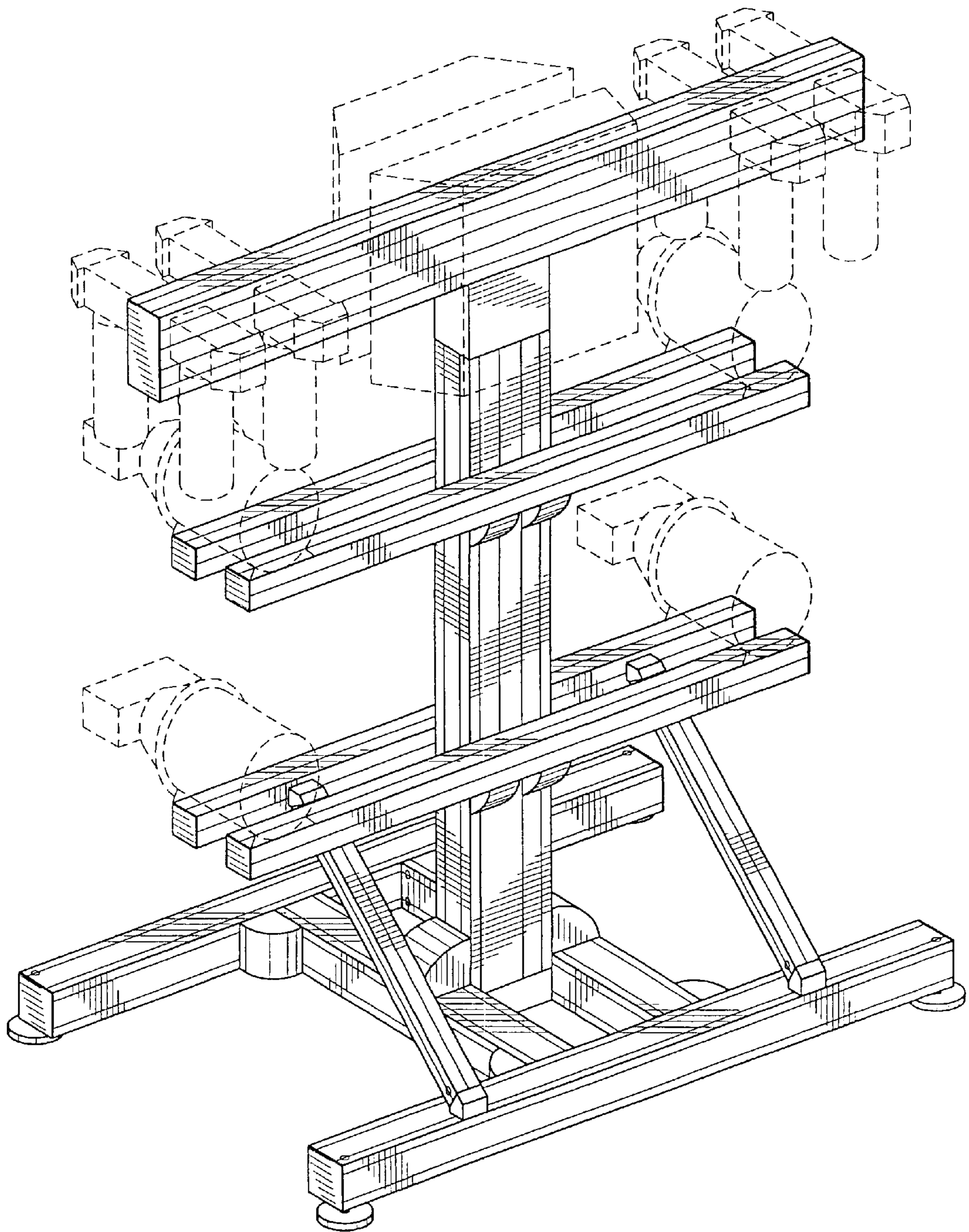


FIG. 9

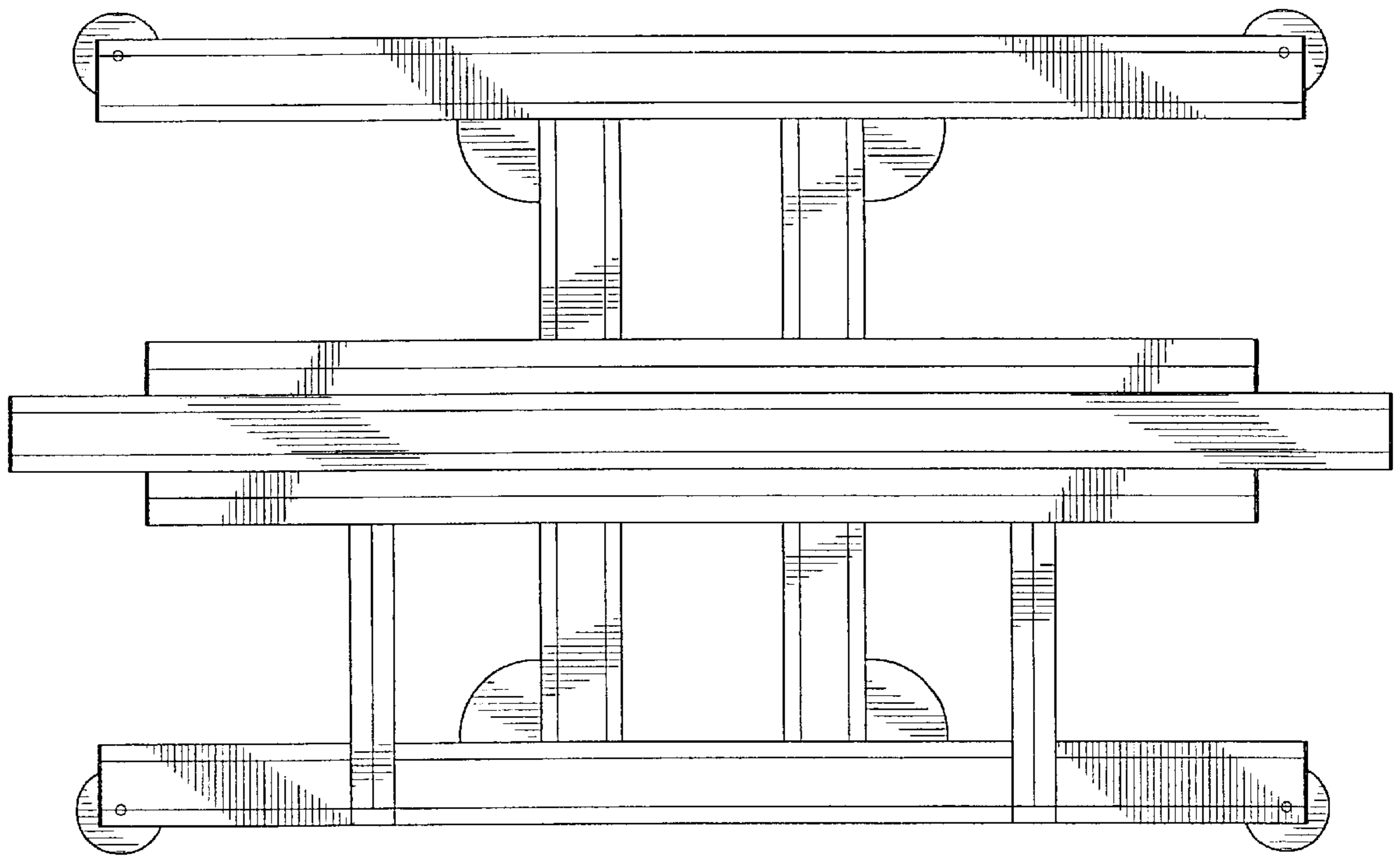


FIG. 10

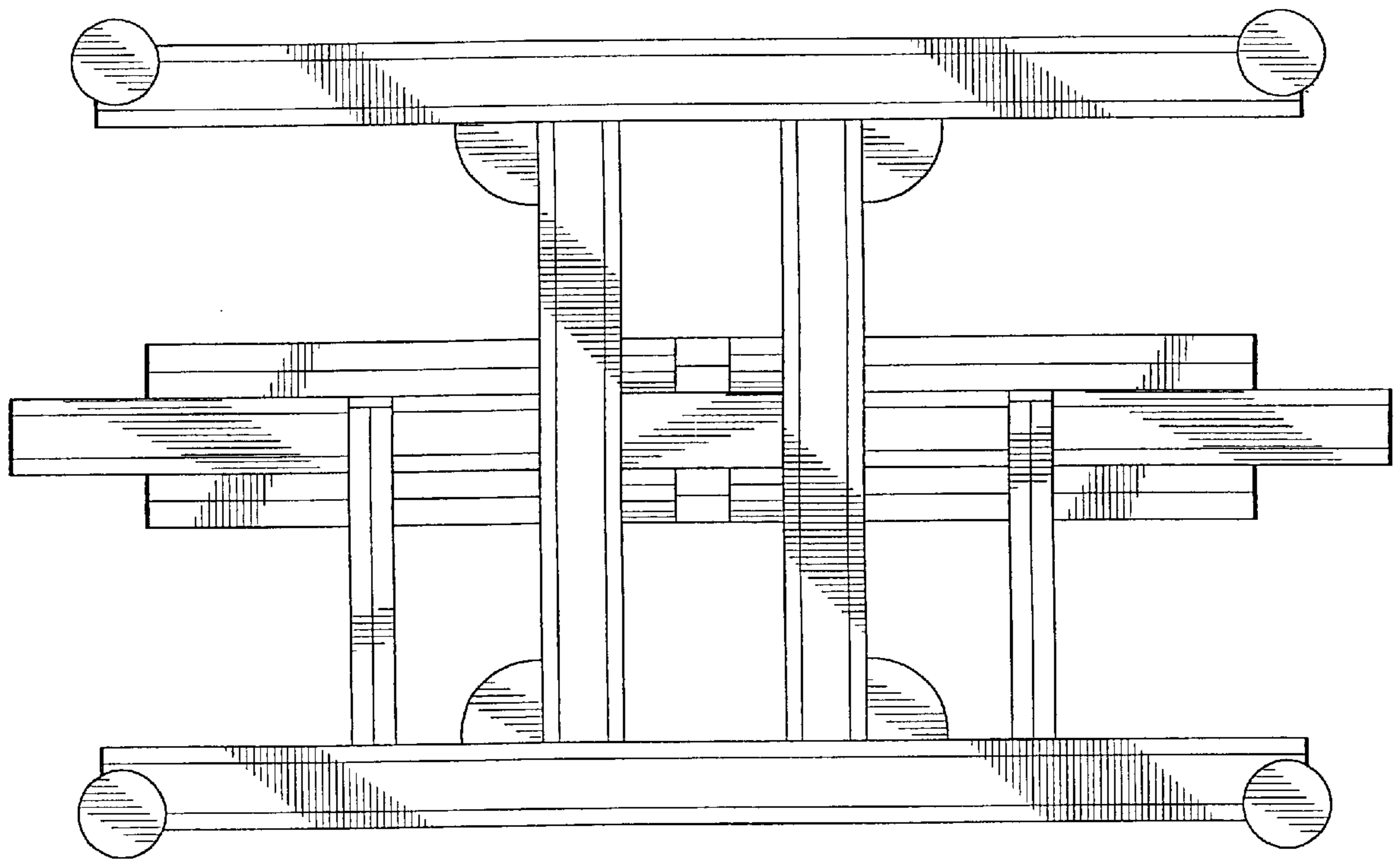


FIG. 11

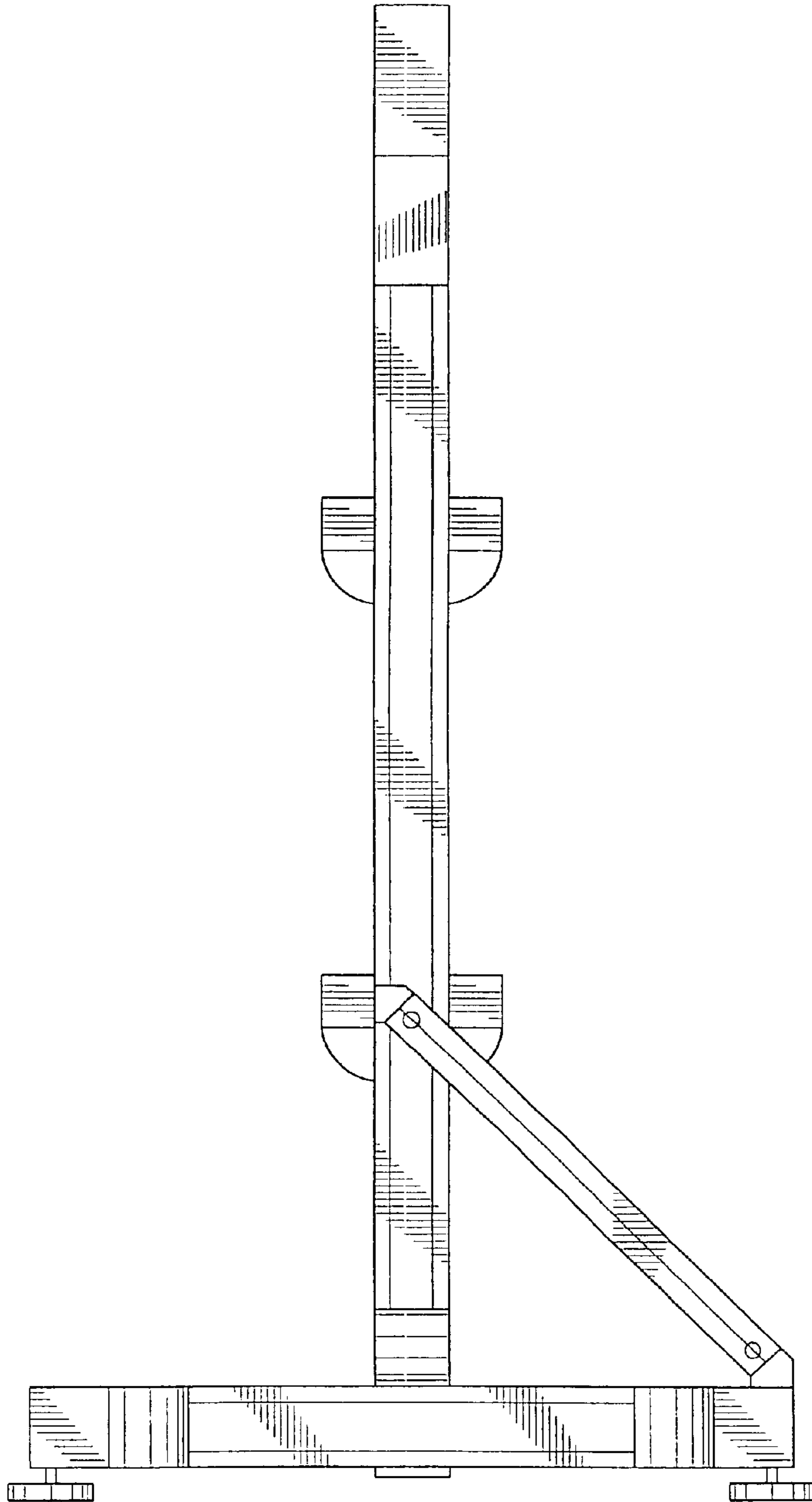


FIG. 12

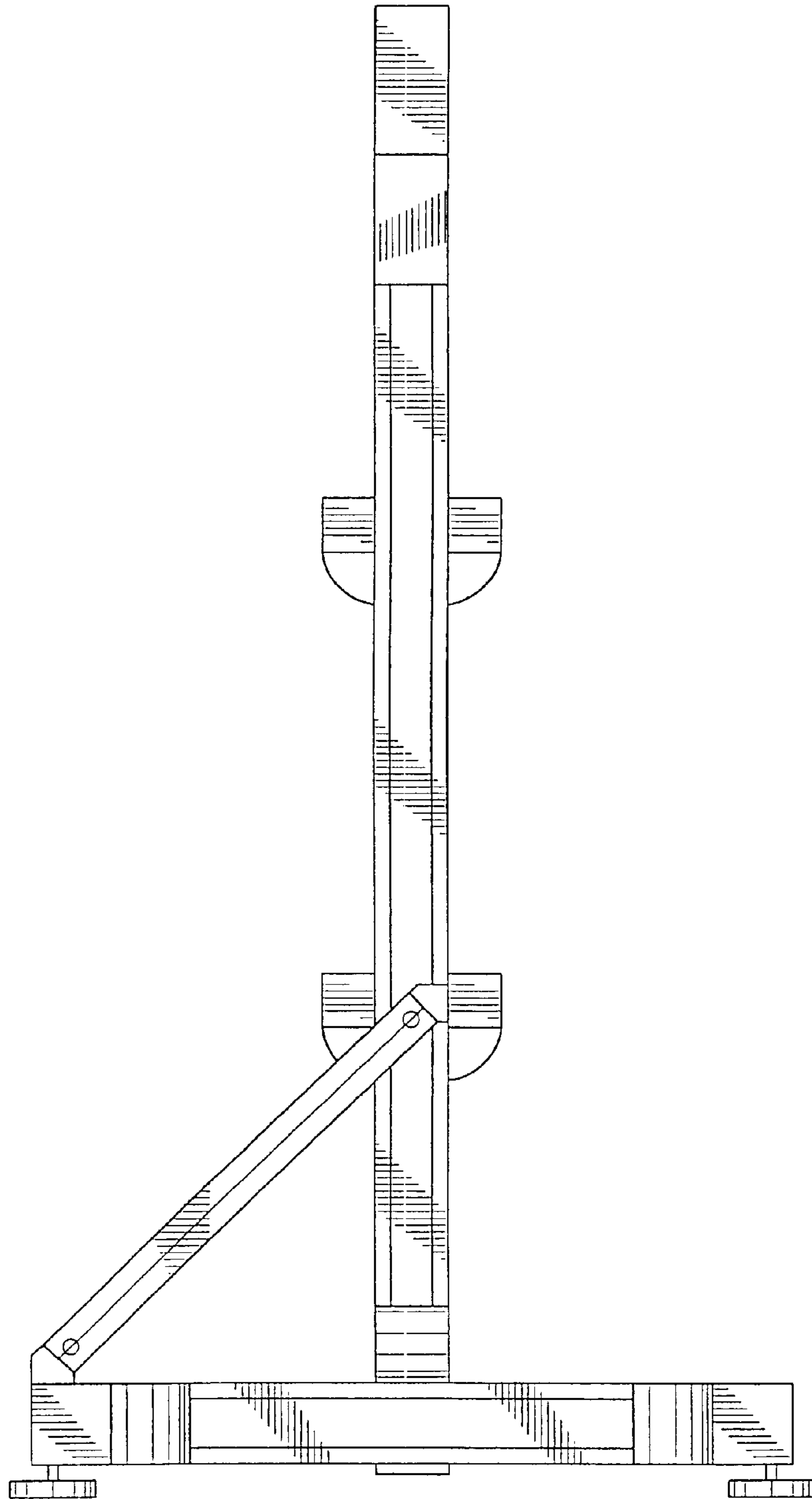


FIG. 13

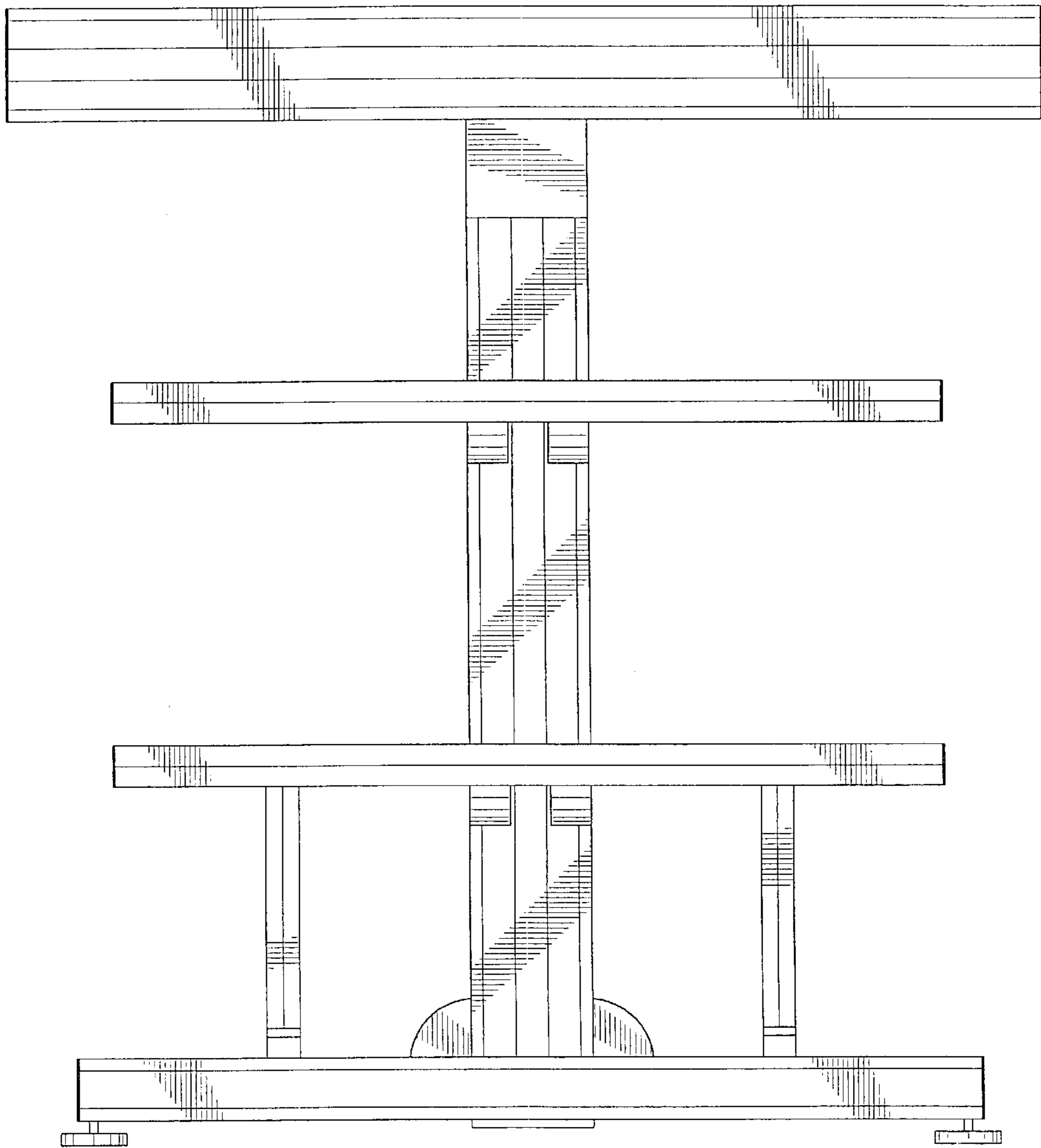


FIG. 14

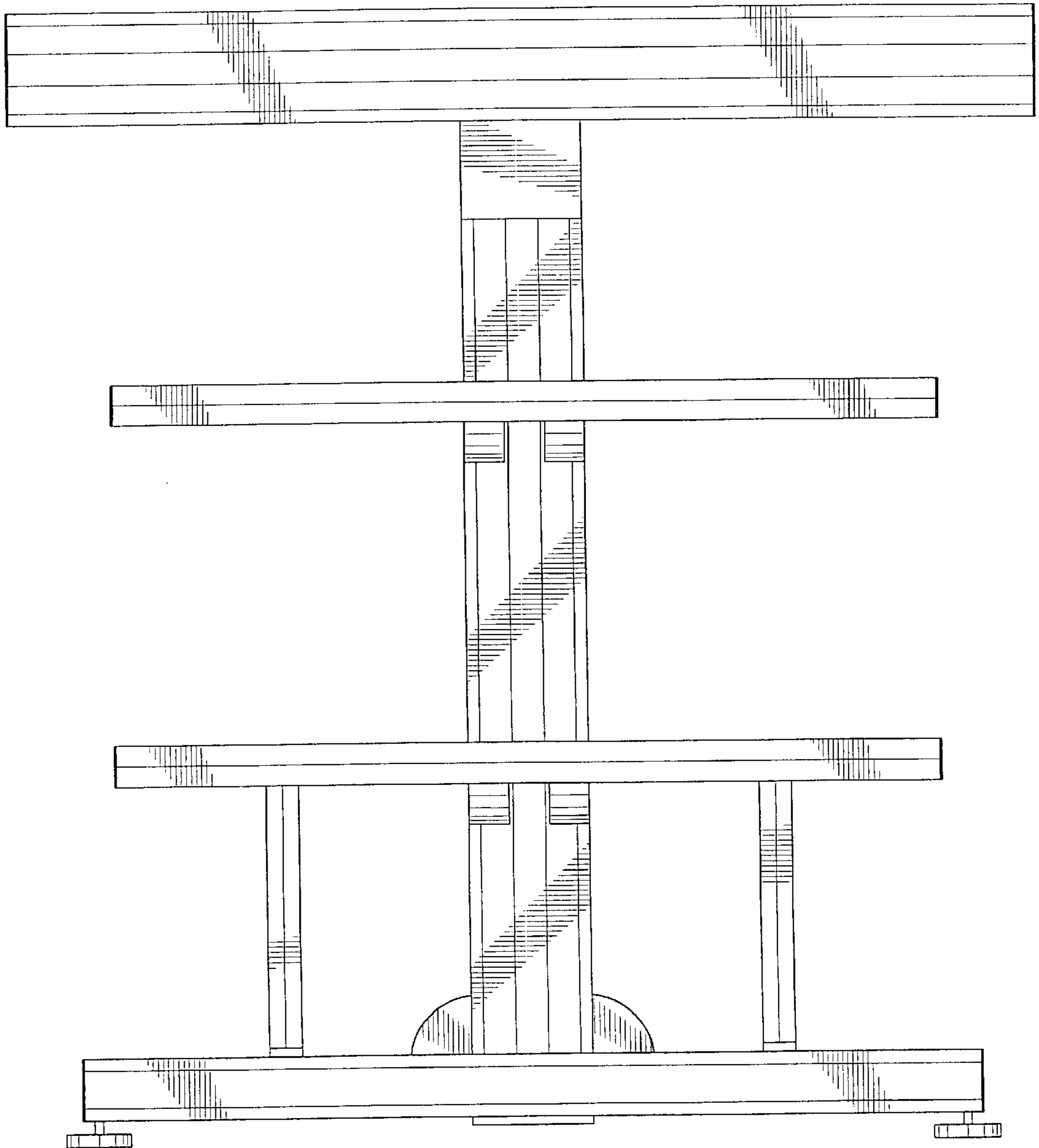


FIG. 15

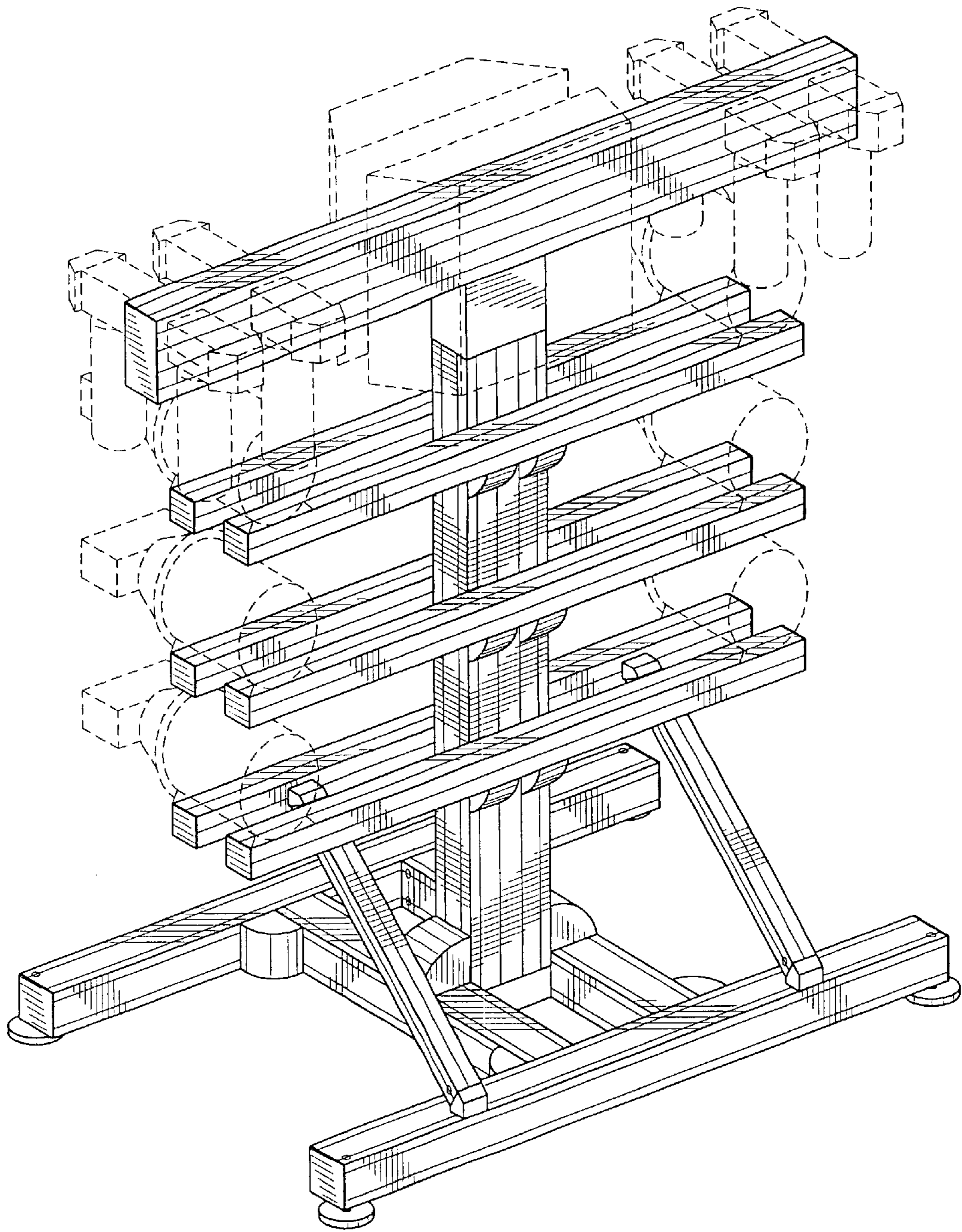


FIG. 16

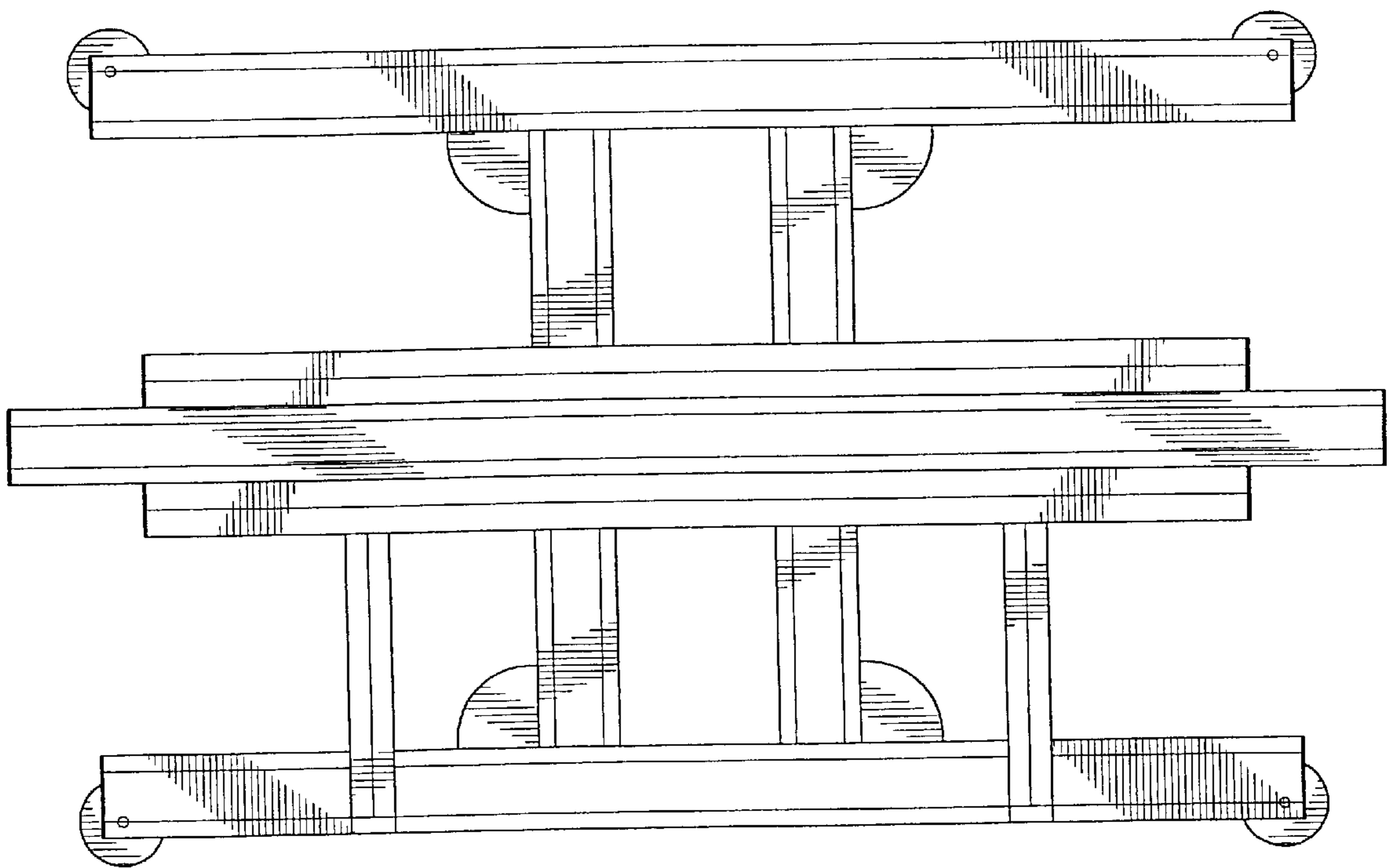


FIG. 17

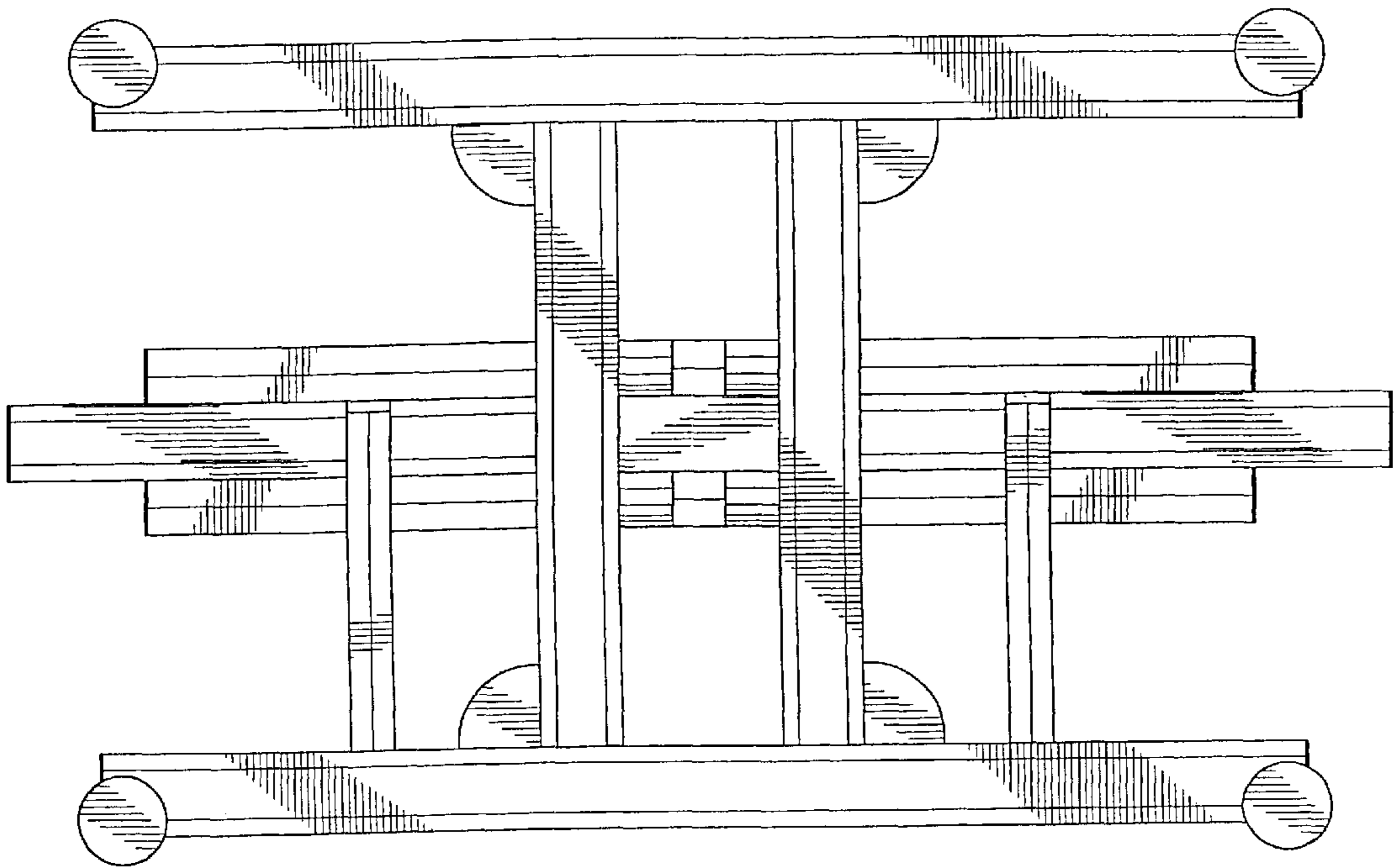


FIG. 18

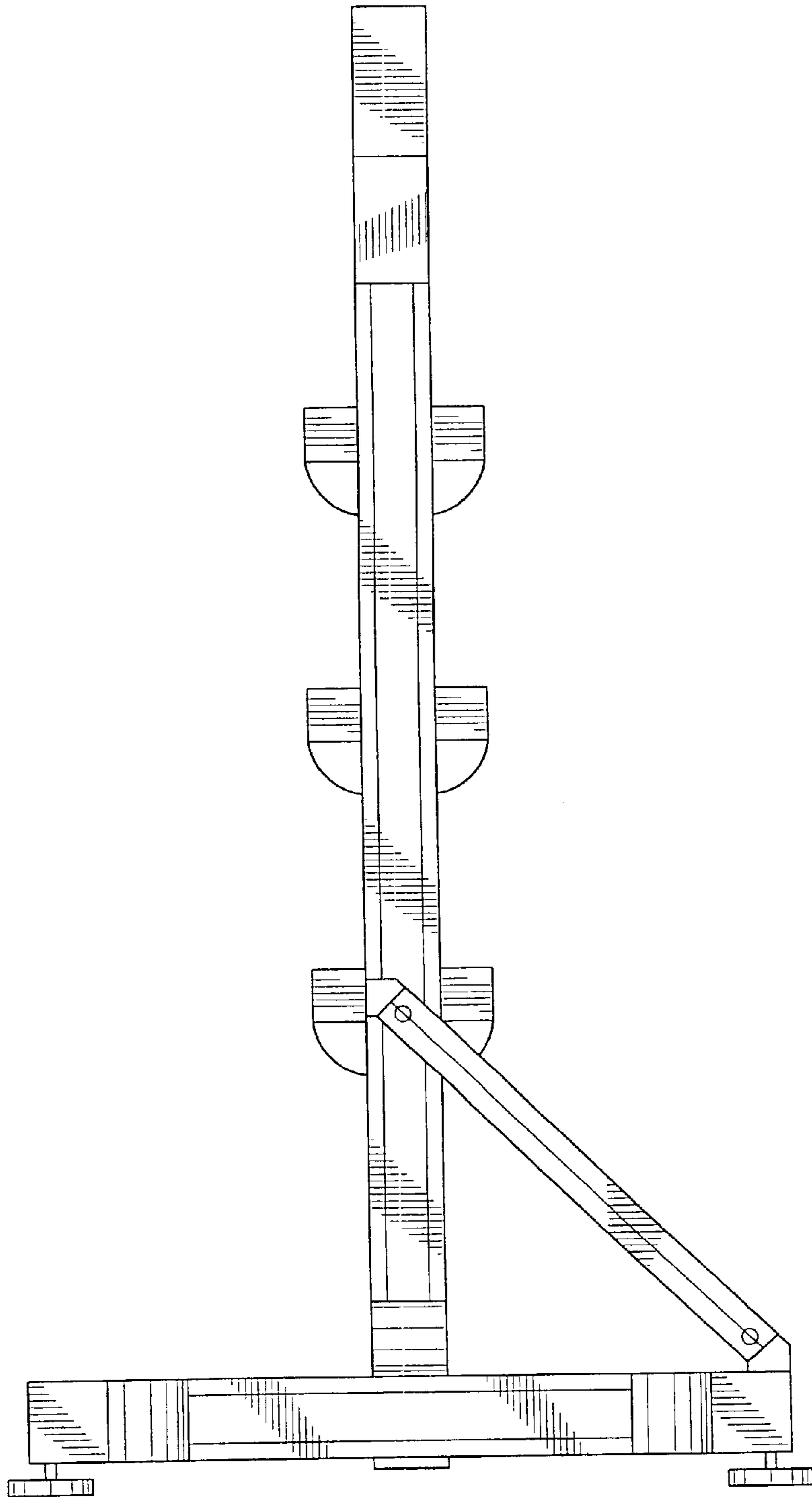


FIG. 19

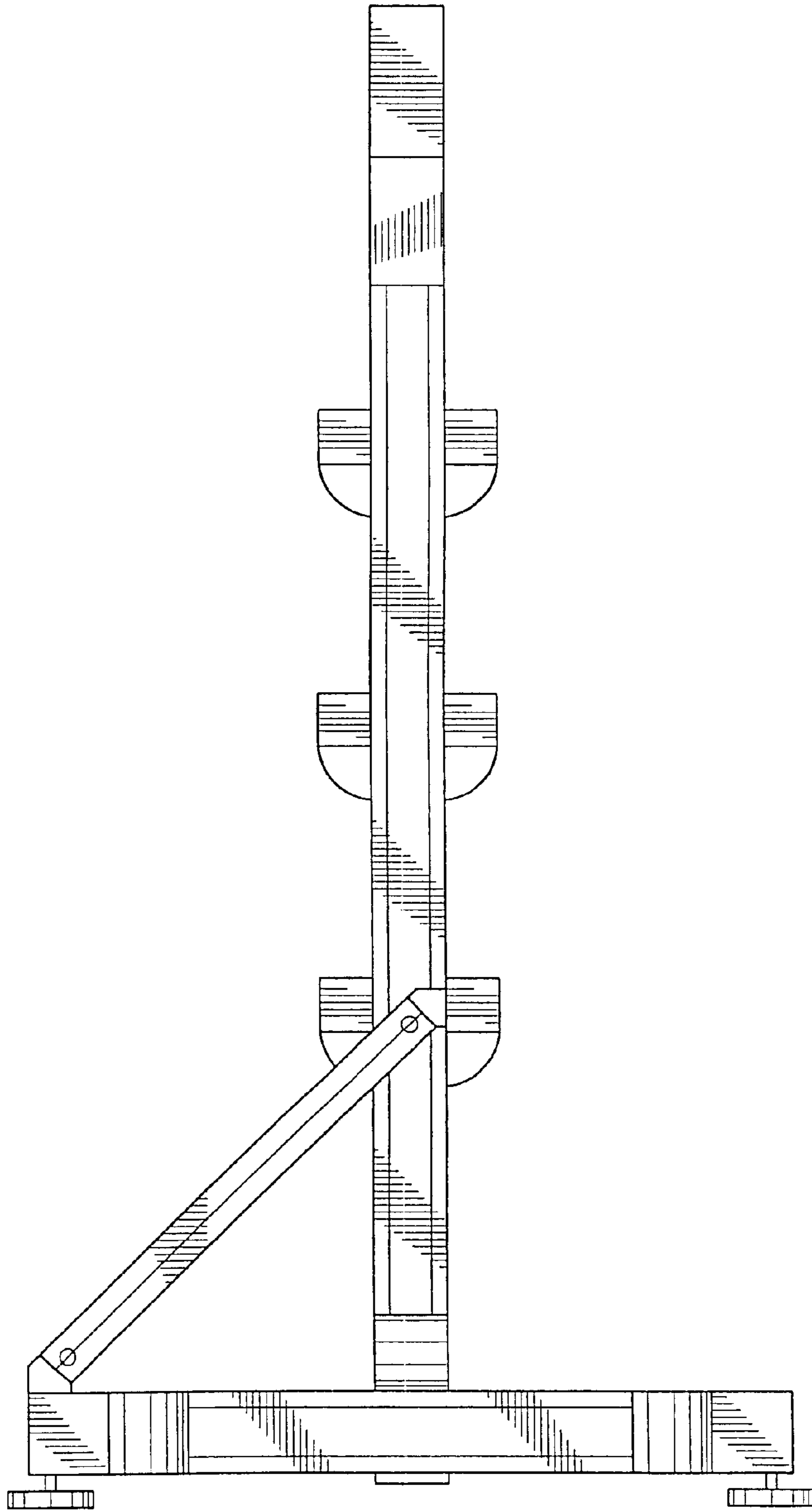


FIG. 20

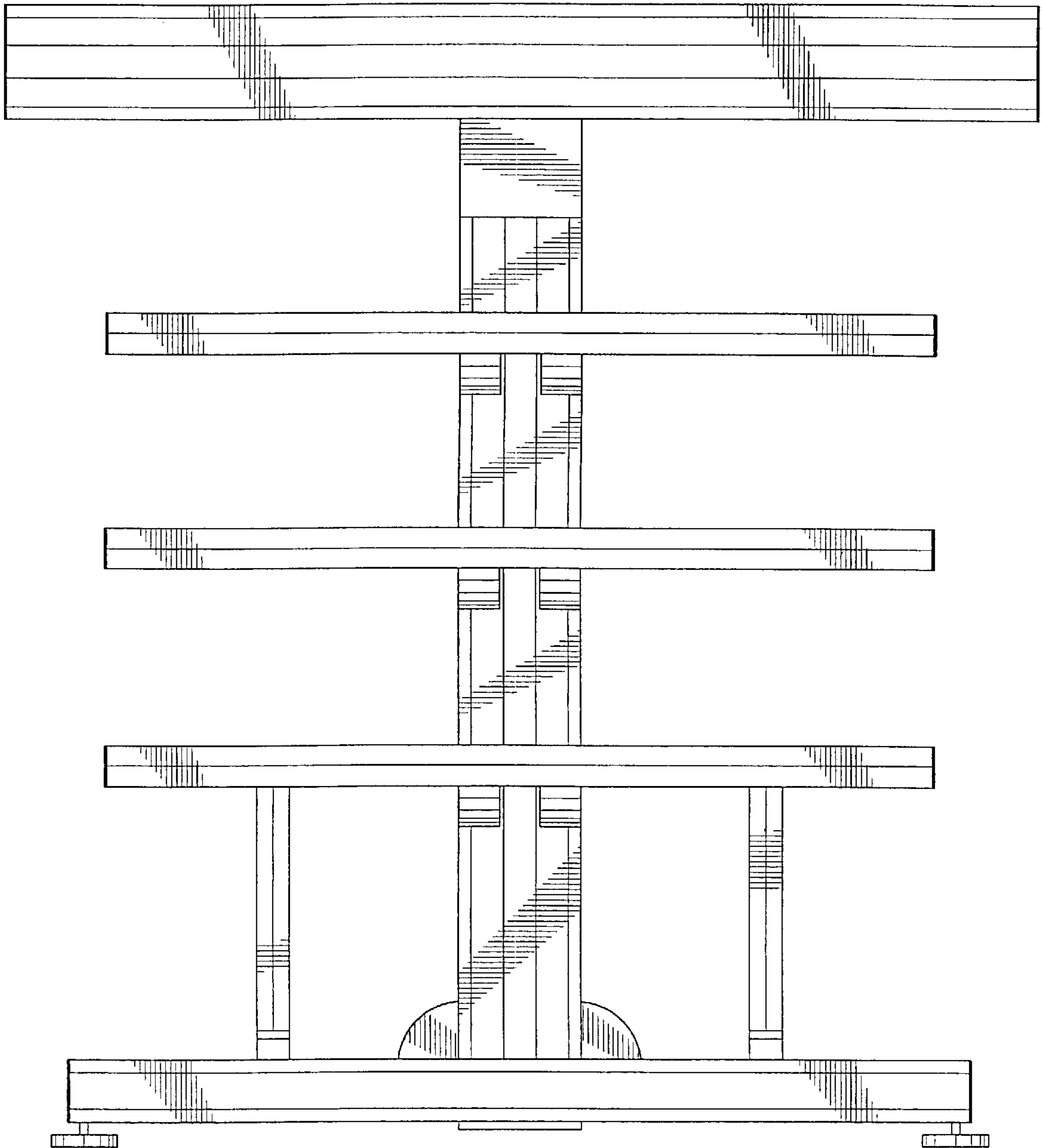


FIG. 21

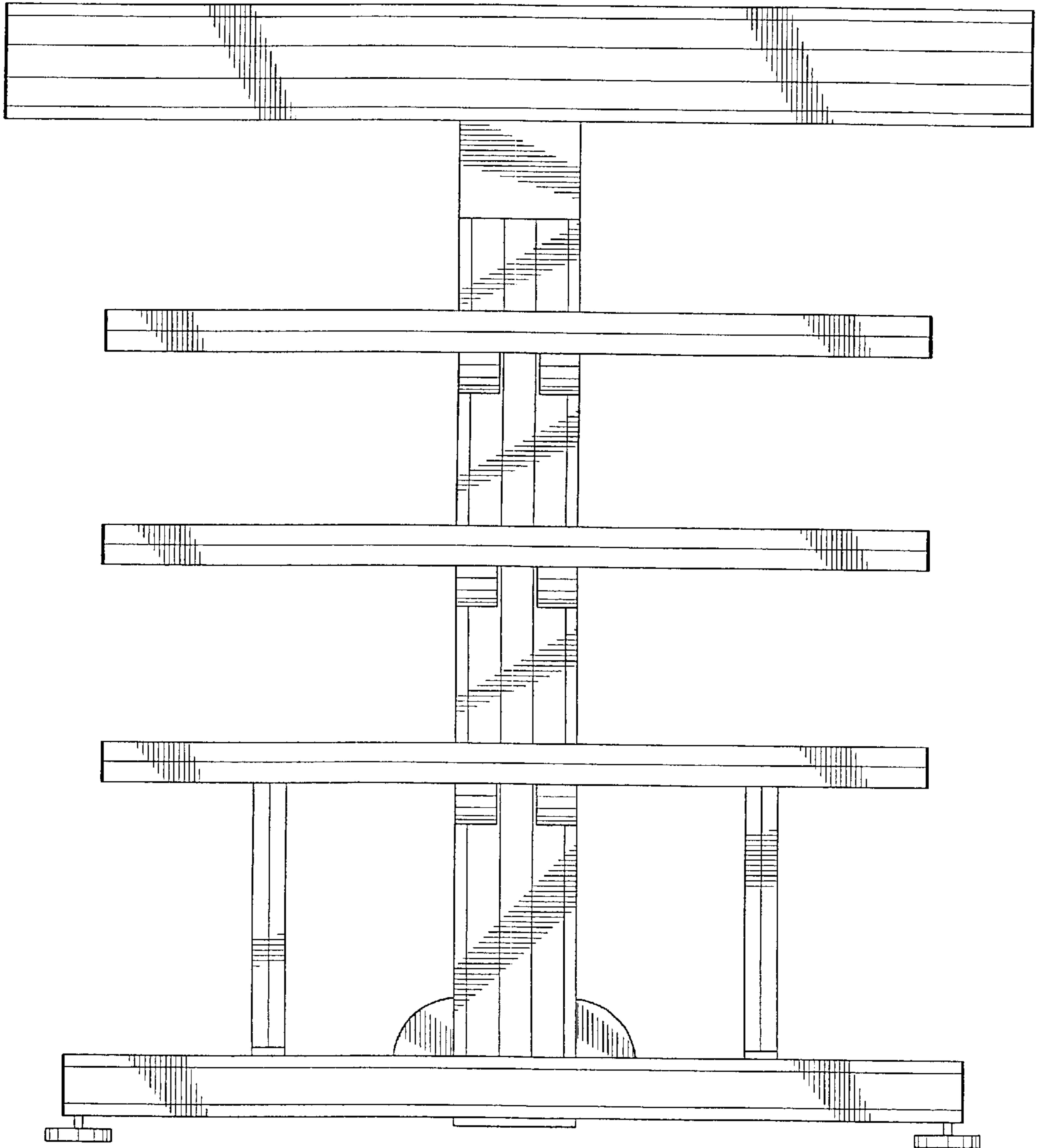


FIG. 22

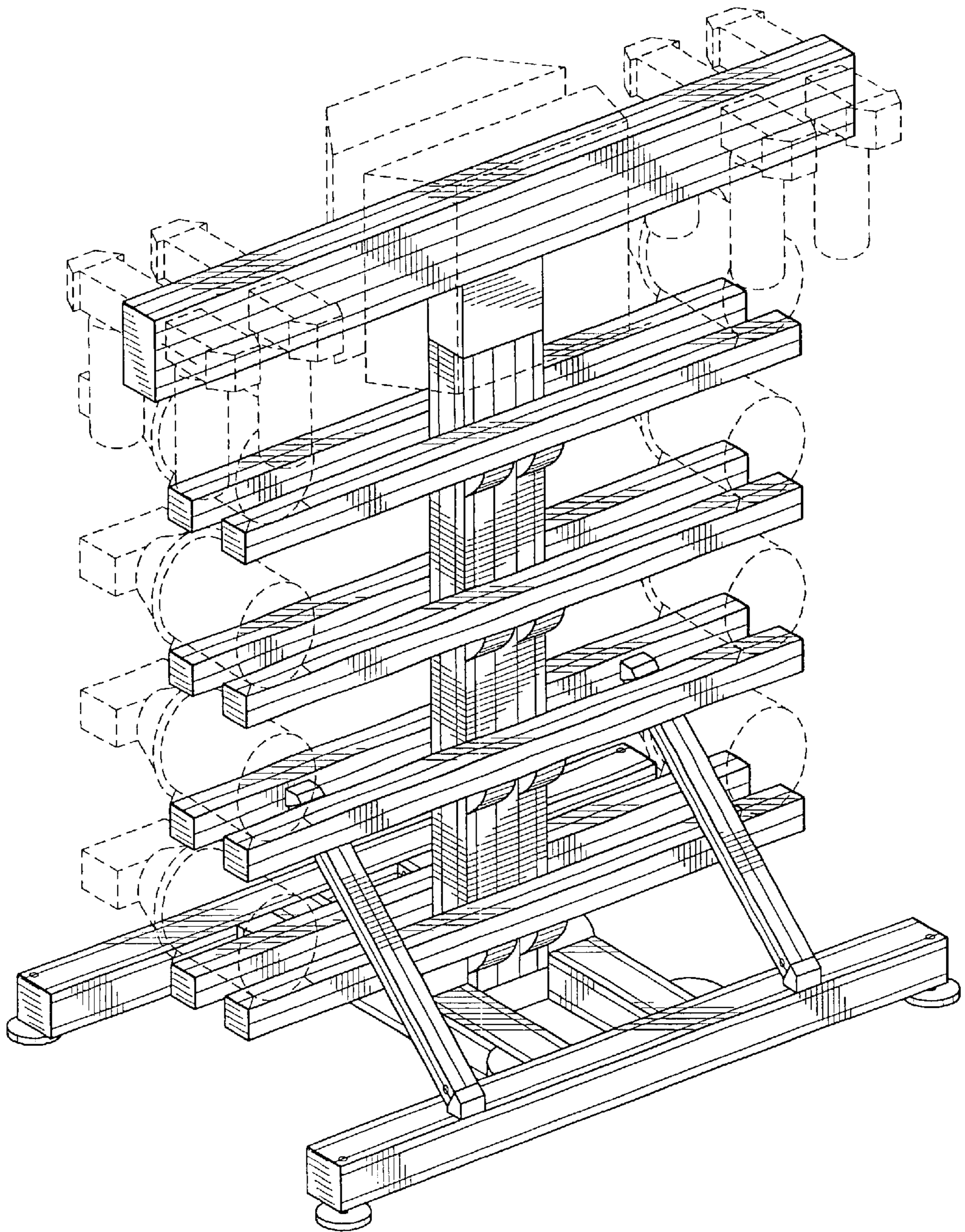


FIG. 23

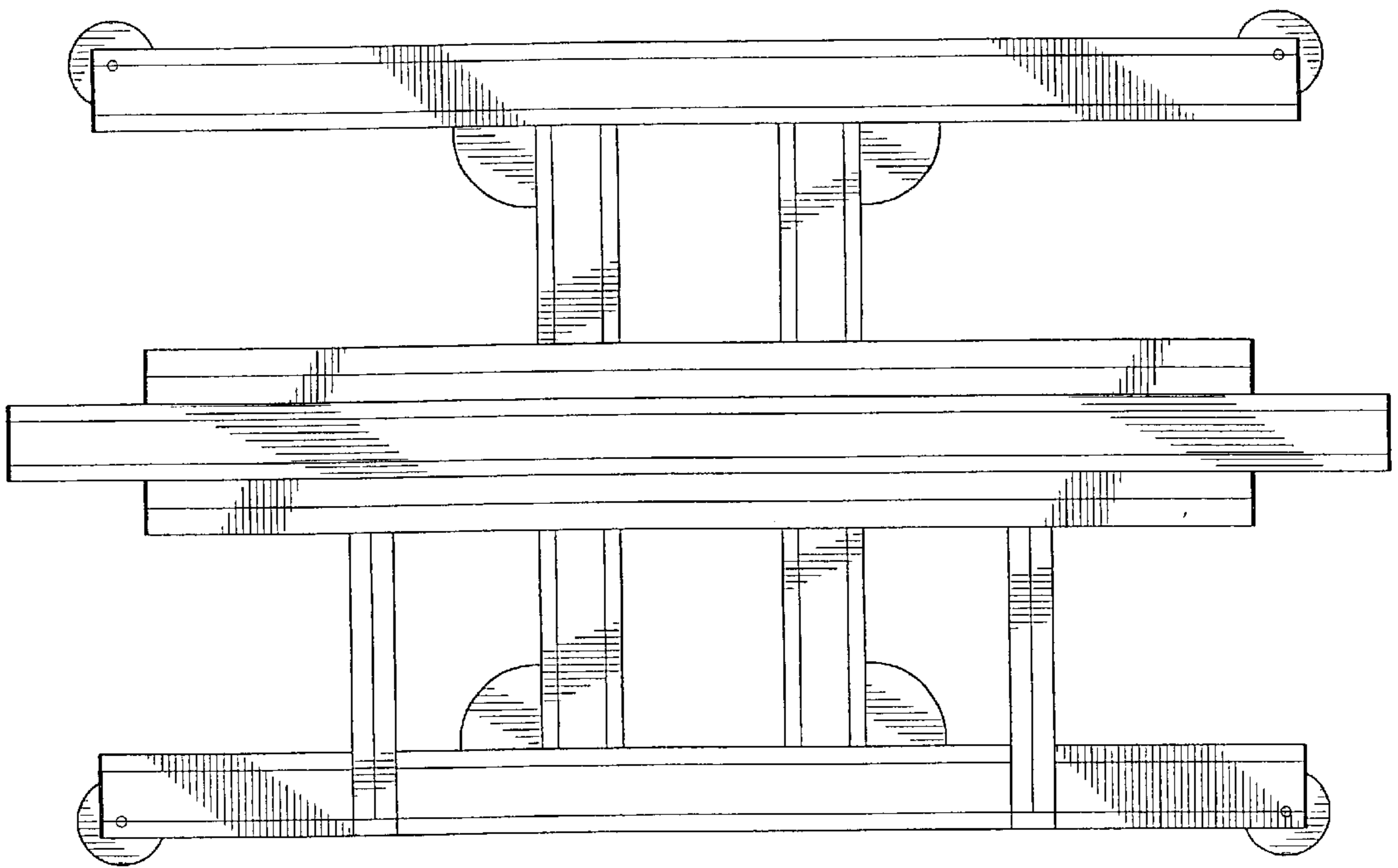


FIG. 24

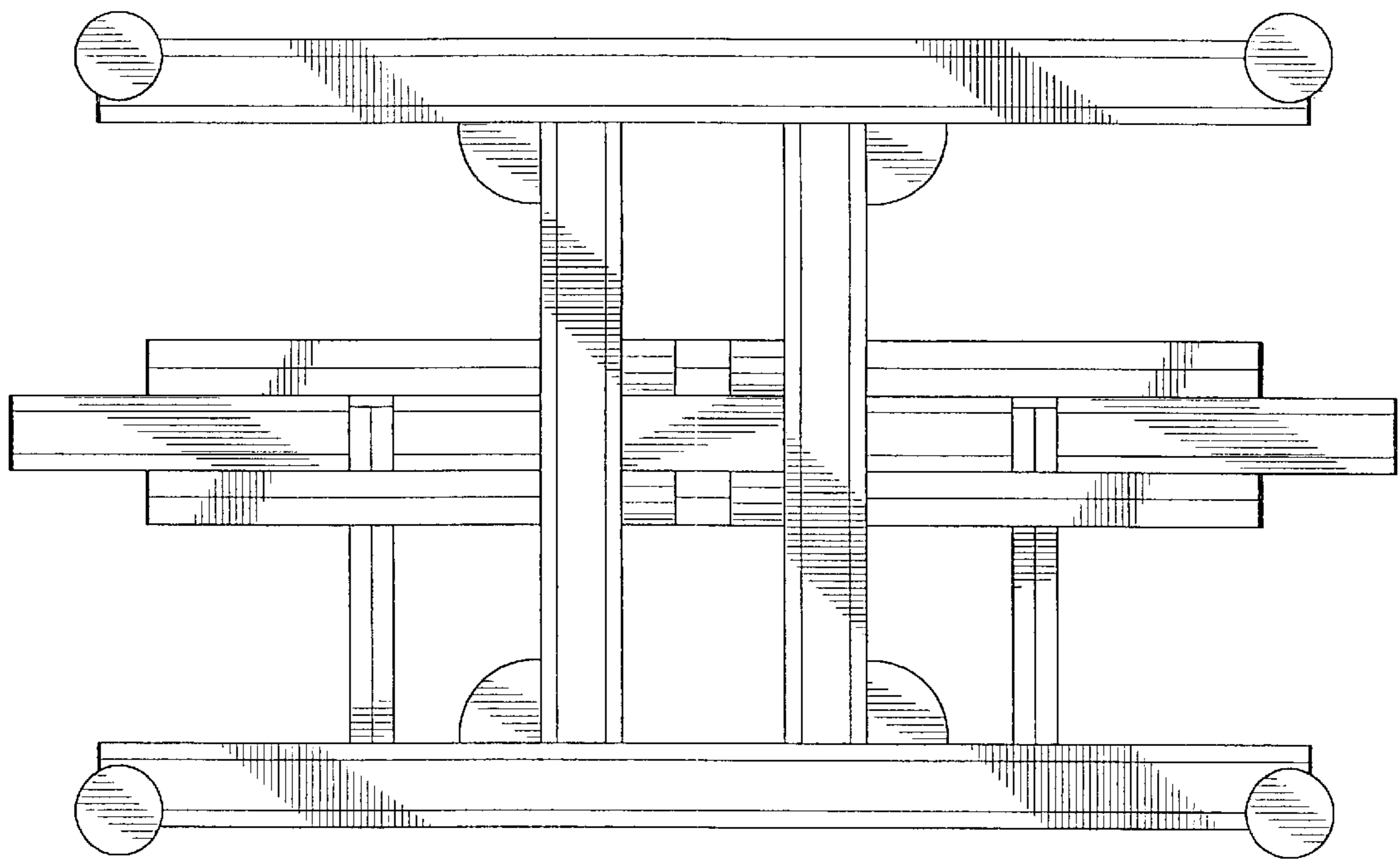


FIG. 25

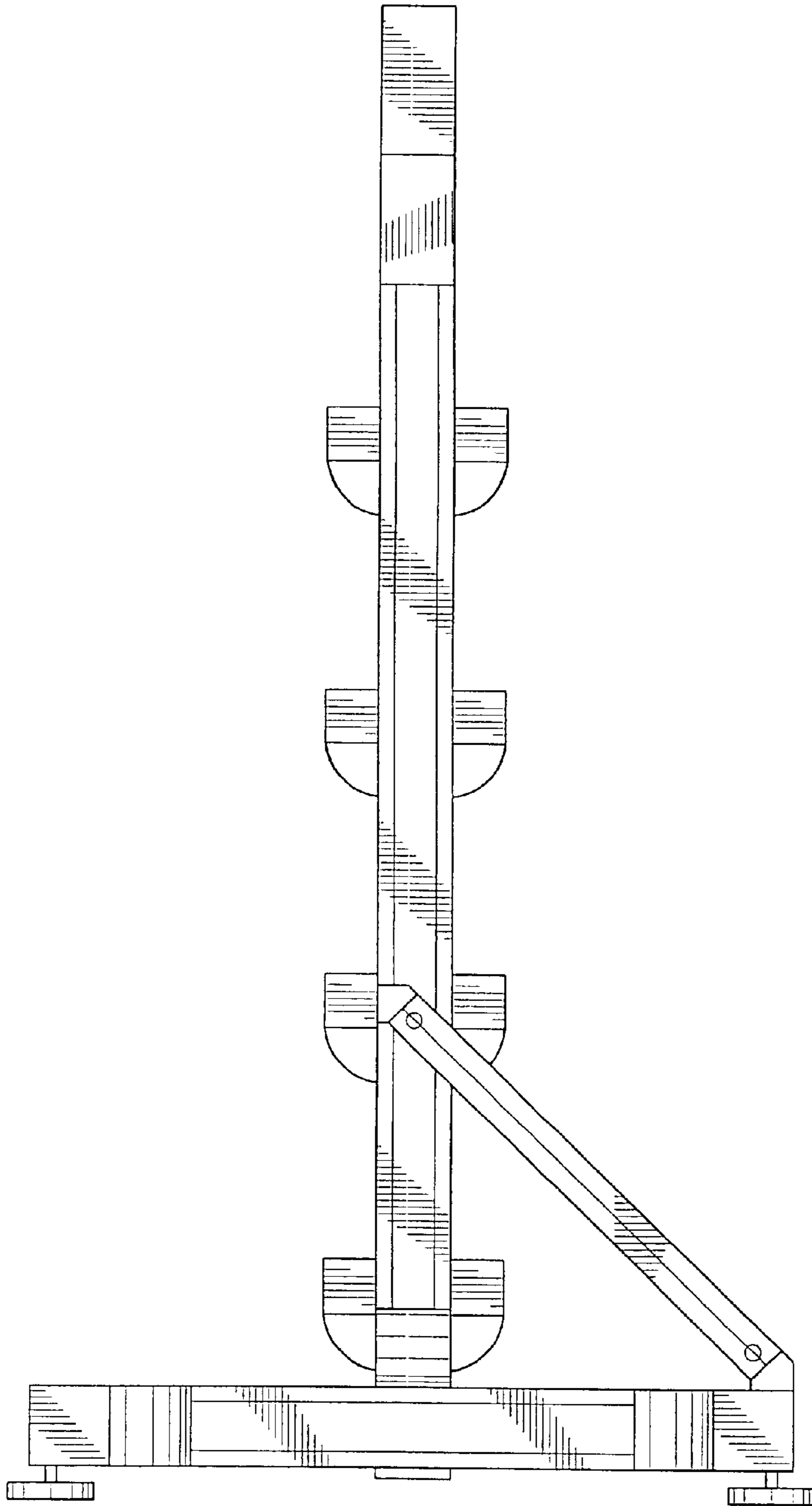


FIG. 26

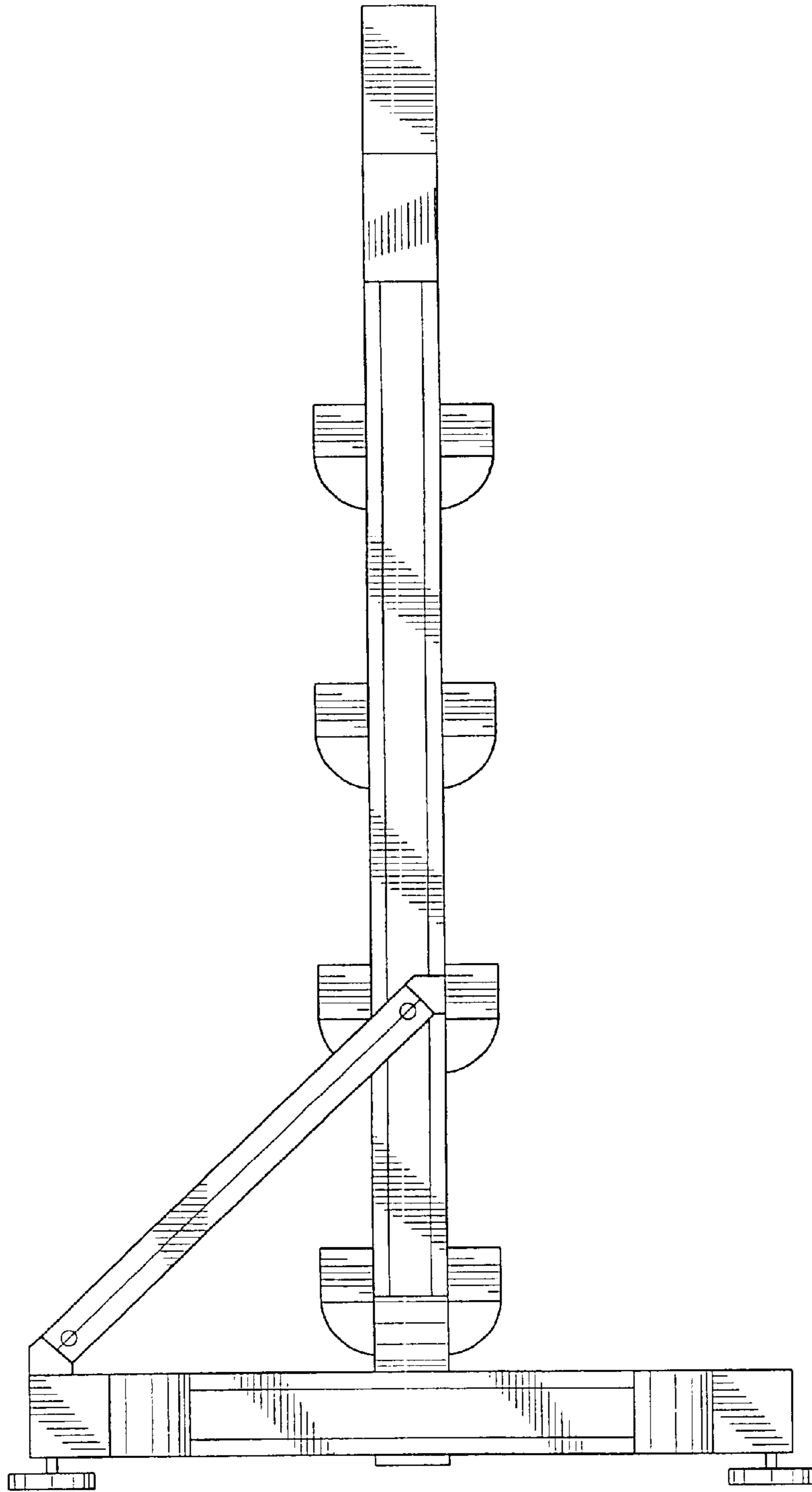


FIG. 27

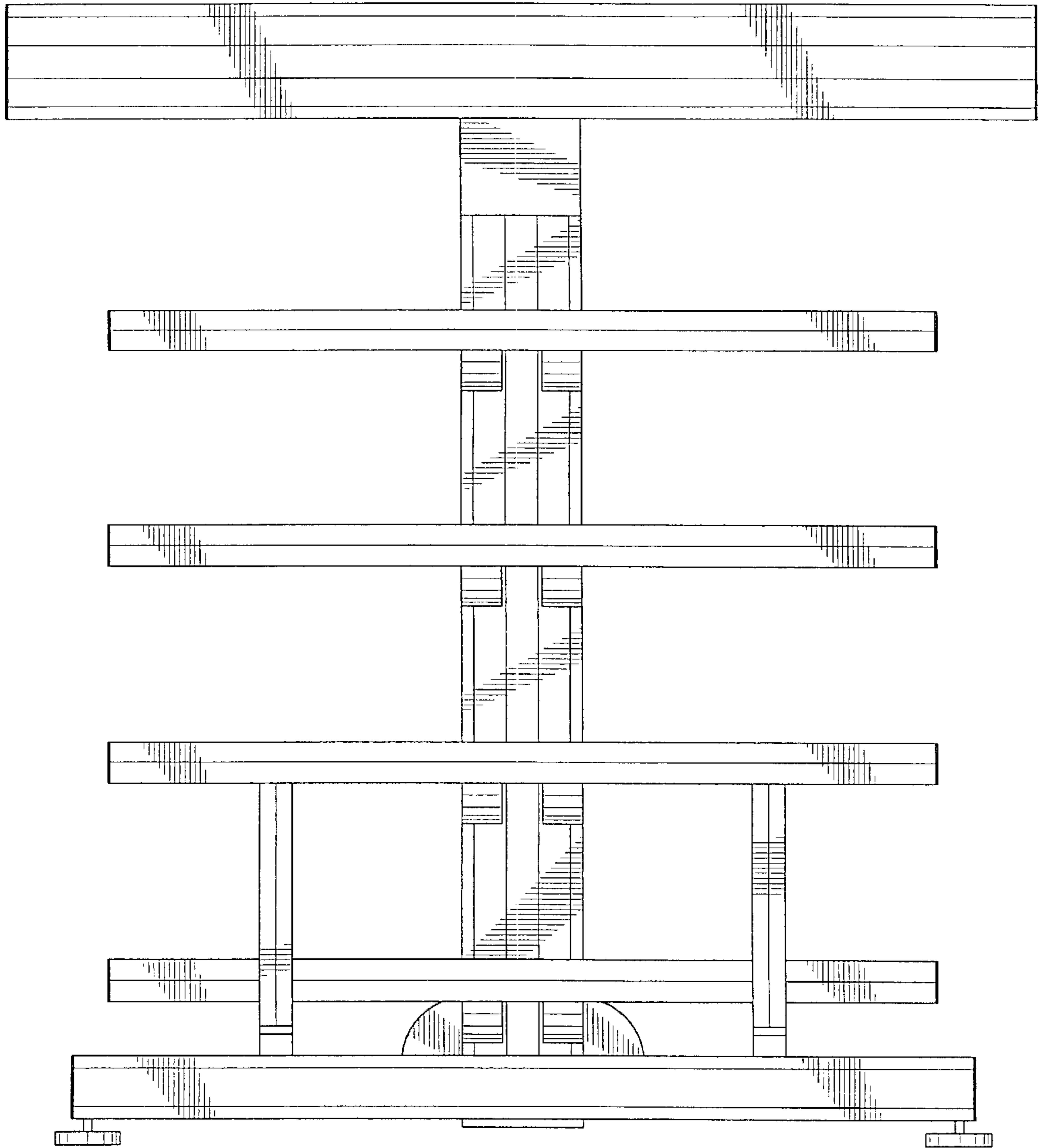


FIG. 28

