



US00D487947S

(12) **United States Design Patent**
Pecci et al.

(10) **Patent No.:** **US D487,947 S**

(45) **Date of Patent:** **** Mar. 30, 2004**

(54) **VACUUM CLEANER HEAD**

(75) Inventors: **Gene L. Pecci**, Novato, CA (US);
Raymond G. Smith, Los Angeles, CA (US)

(73) Assignee: **Laars, Inc.**, Newport Beach, CA (US)

(**) Term: **14 Years**

(21) Appl. No.: **29/179,695**

(22) Filed: **Apr. 11, 2003**

(51) **LOC (7) Cl.** **15-05**

(52) **U.S. Cl.** **D32/32**

(58) **Field of Search** D32/38-39, 21-22,
D32/25, 31-34; 15/350-351, 347, 363,
41.1, 410, 412, 415.1-422, 422.1, 398,
400, 320-322, 1.7

(56) **References Cited**

U.S. PATENT DOCUMENTS

D182,303 S	*	3/1958	Reading	D32/32
3,013,294 A	*	12/1961	Ostrom	15/373
D257,256 S	*	10/1980	Robinson	D32/33
4,498,206 A	*	2/1985	Braukmann	15/1.7
4,692,956 A	*	9/1987	Kassis	15/1.7

D298,876 S	*	12/1988	Yamamoto et al.	D32/33
D314,264 S	*	1/1991	Kim	D32/33
D314,265 S	*	1/1991	Hong	D32/33
D331,991 S	*	12/1992	Wright et al.	D32/32
D335,941 S	*	5/1993	Wright et al.	D32/32

* cited by examiner

Primary Examiner—Ruth McInroy

(74) *Attorney, Agent, or Firm*—Buchanan Ingersoll, P.C.

(57) **CLAIM**

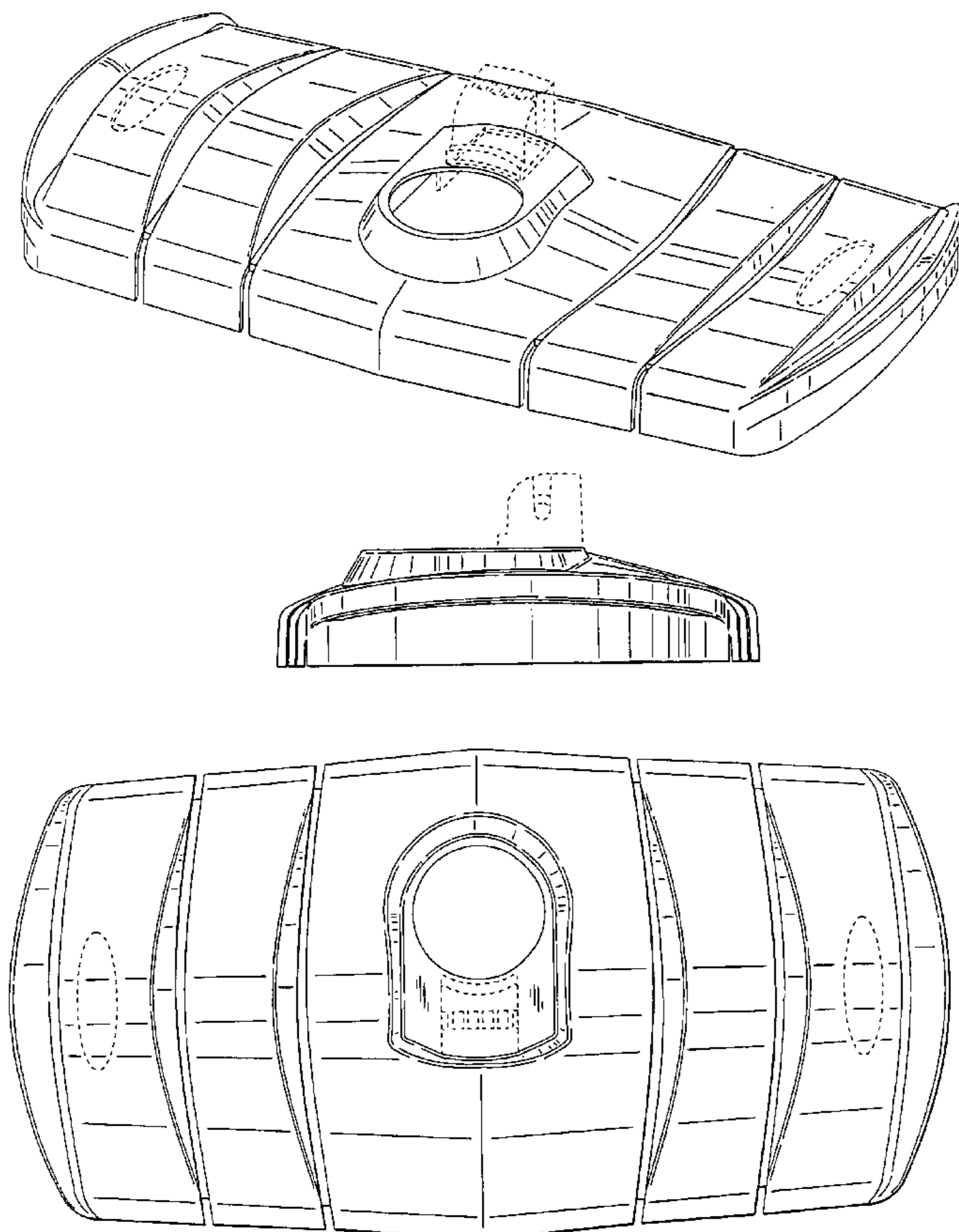
The ornamental design for a vacuum cleaner head, as shown and described.

DESCRIPTION

FIG. 1 is a perspective view of a vacuum cleaner head showing our new design;
FIG. 2 is a front elevational view thereof;
FIG. 3 is a rear elevational view thereof;
FIG. 4 is a right side elevational view thereof;
FIG. 5 is a left side elevational view thereof;
FIG. 6 is a top plan view thereof; and,
FIG. 7 is a bottom plan view thereof.

The phantom lines in FIGS. 1-7 are for illustrative purposes only and form no part of the design.

1 Claim, 7 Drawing Sheets



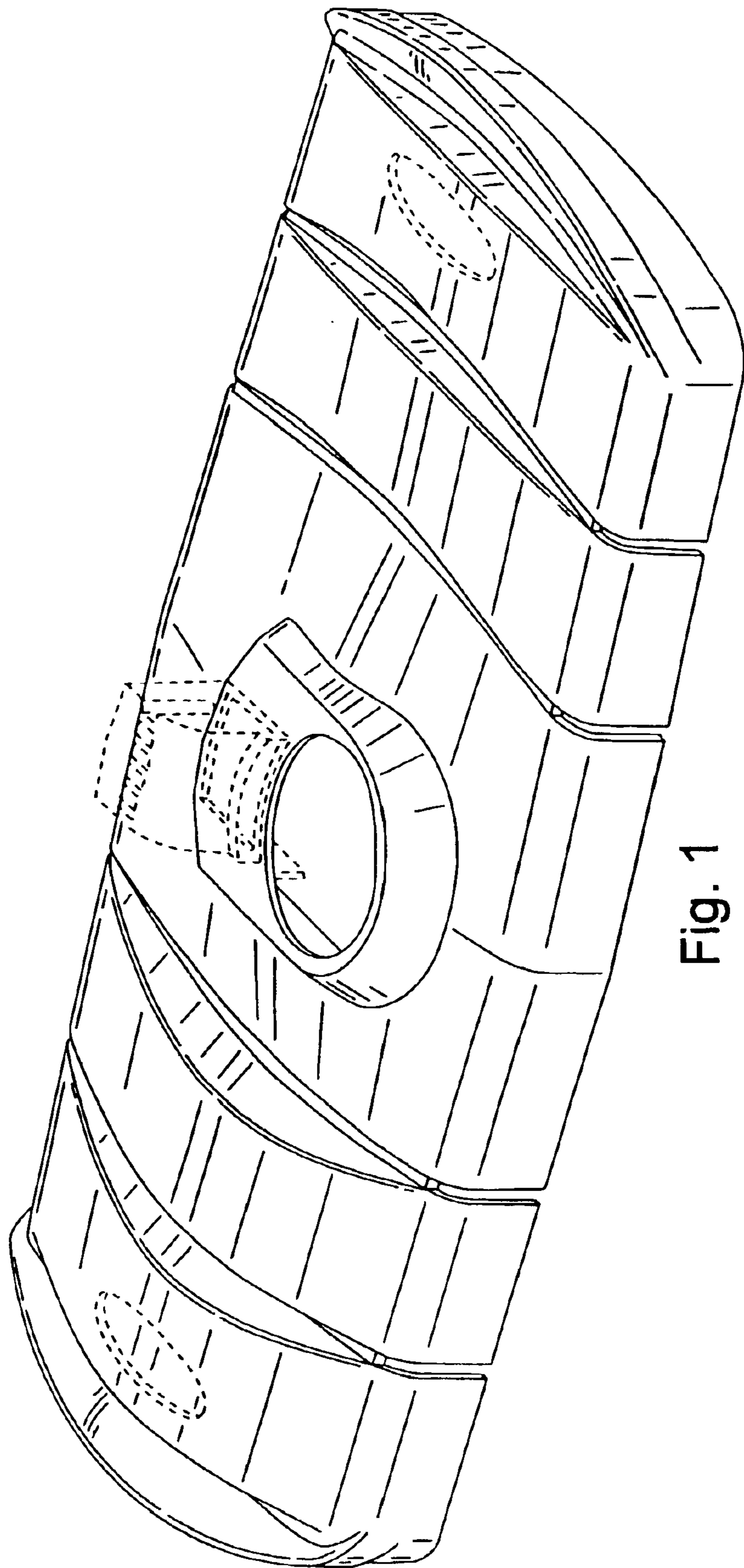


Fig. 1

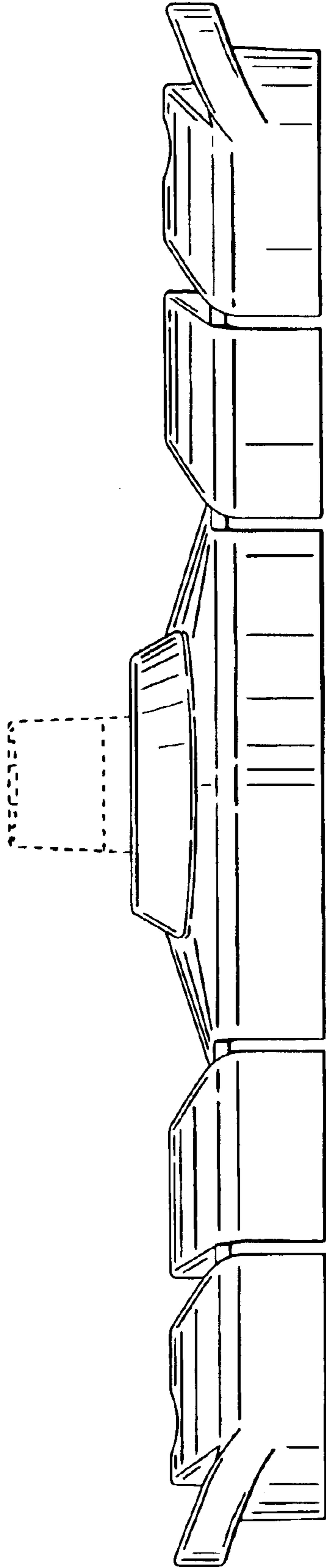


Fig. 2

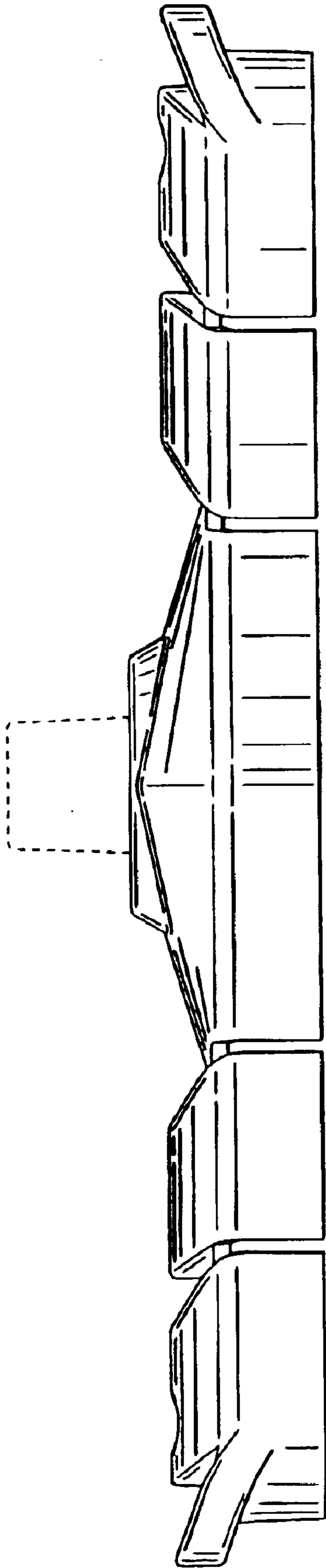


Fig. 3

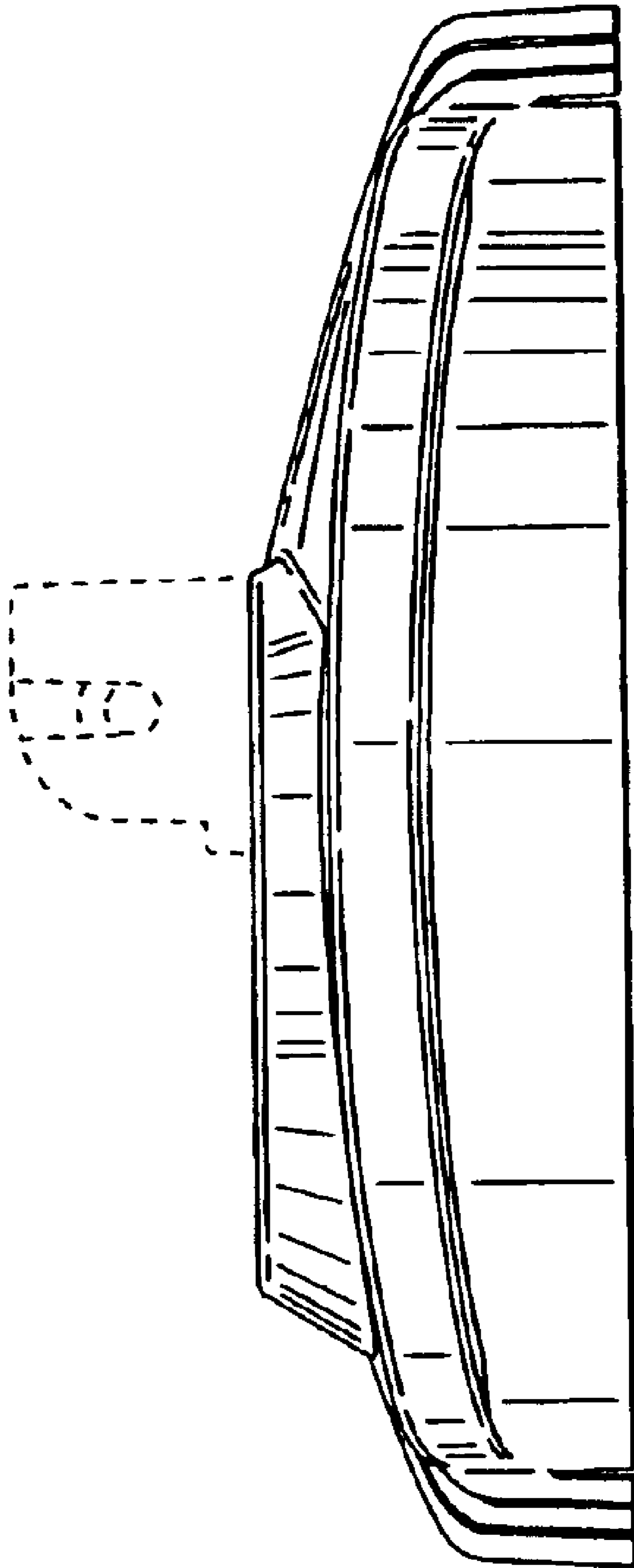


Fig. 4

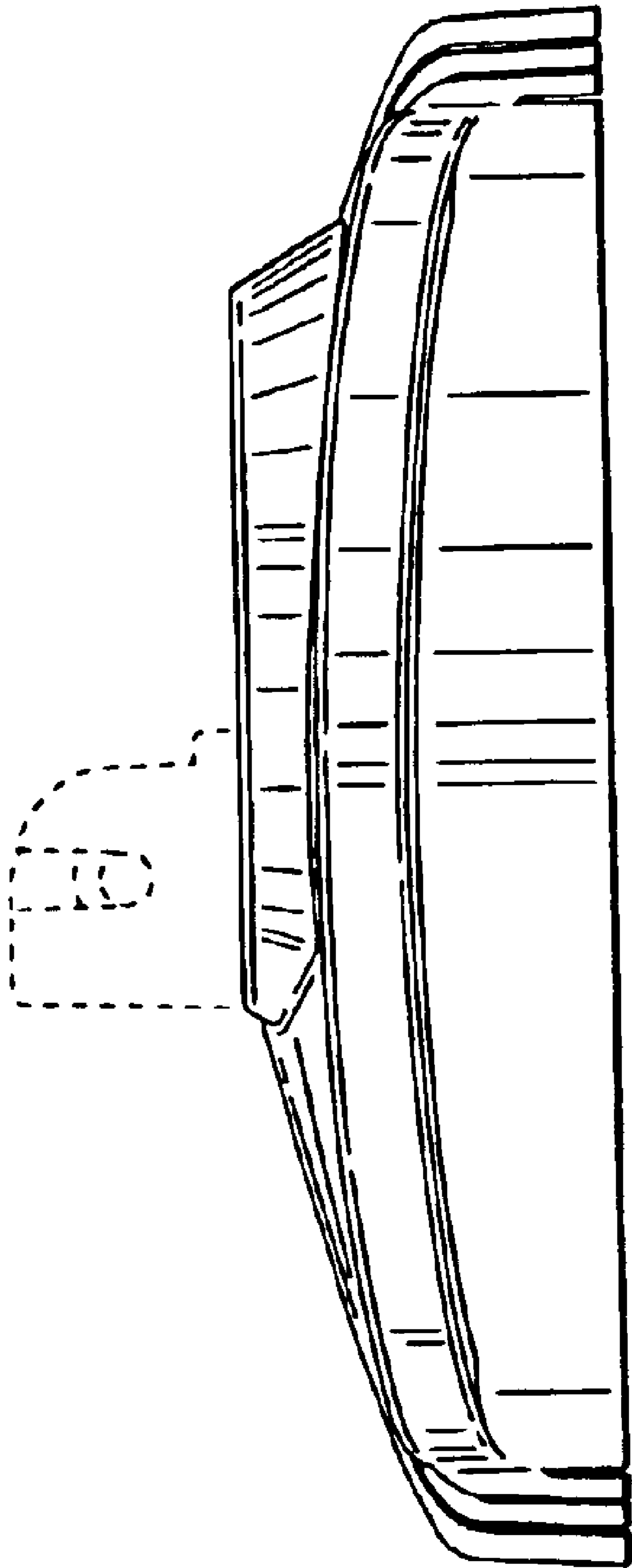


Fig. 5

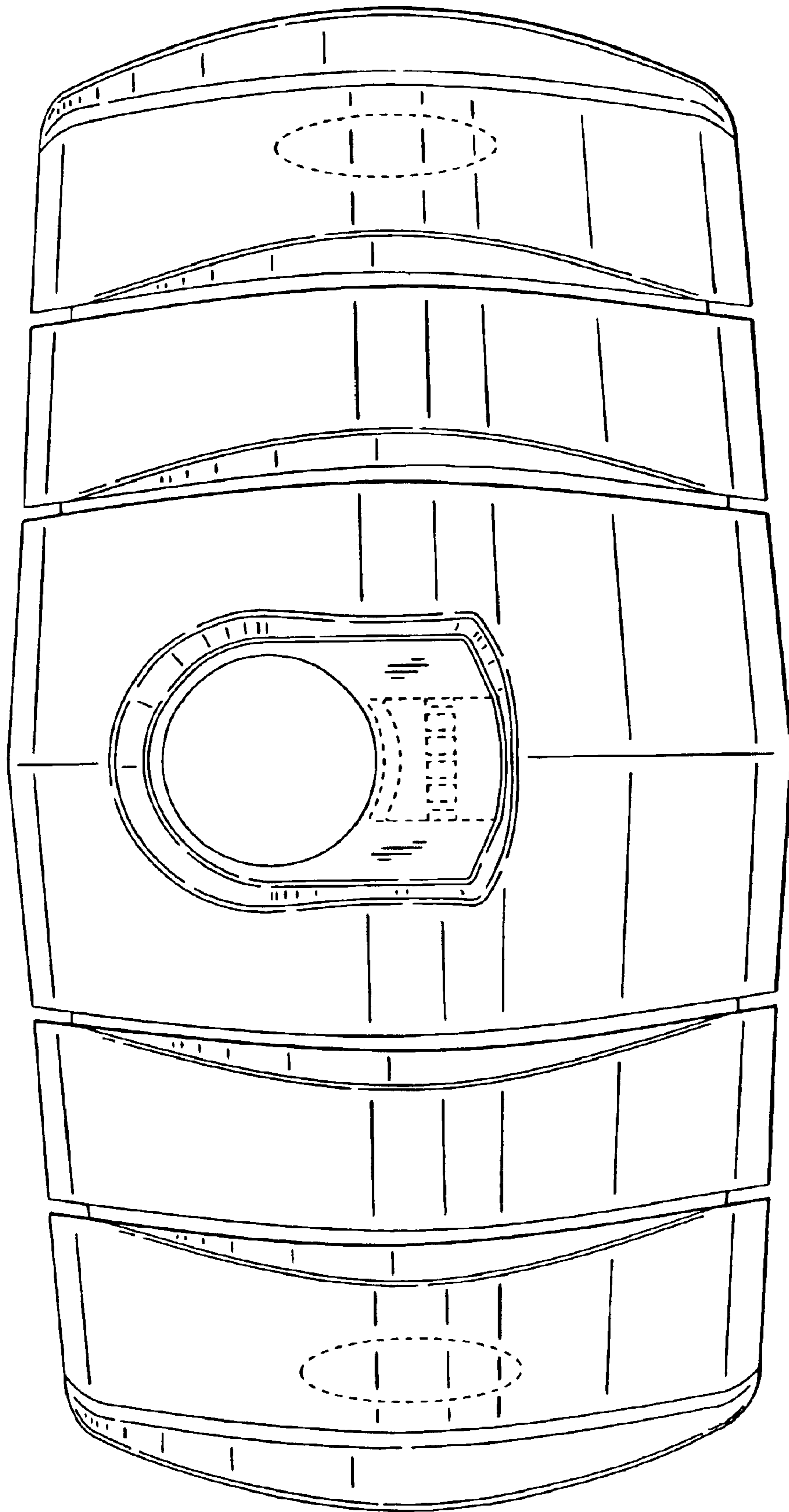


Fig. 6

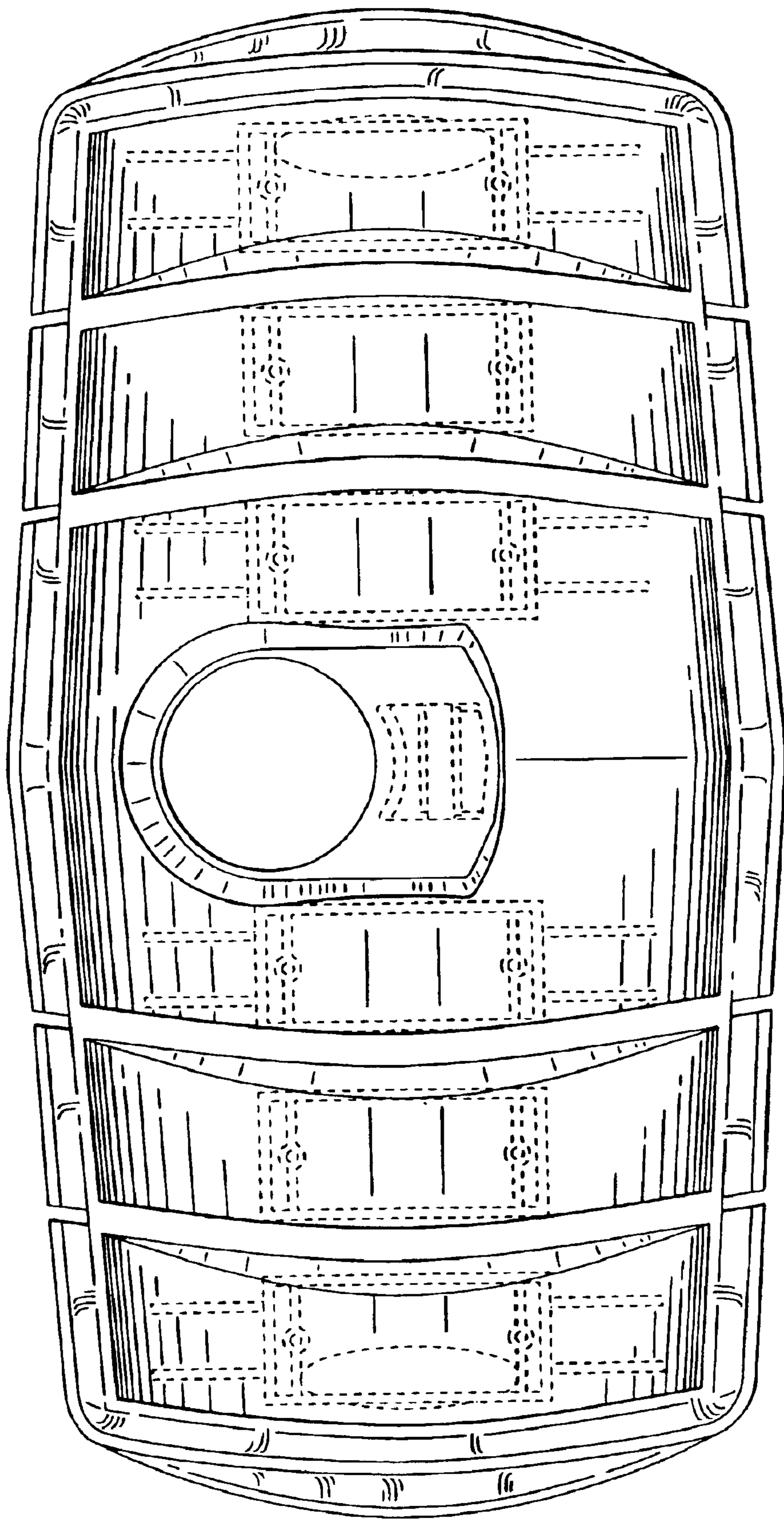


Fig. 7