



US00D487942S

(12) **United States Design Patent**
Hiroi

(10) **Patent No.:** **US D487,942 S**

(45) **Date of Patent:** **** Mar. 30, 2004**

(54) **MASK SHEET FOR FACIAL PACK**

(75) **Inventor:** **Taeko Hiroi**, Tokyo (JP)

(73) **Assignee:** **Shiseido Co., LTD**, Tokyo (JP)

(**) **Term:** **14 Years**

(21) **Appl. No.:** **29/180,584**

(22) **Filed:** **Apr. 28, 2003**

(51) **LOC (7) Cl.** **28-02**

(52) **U.S. Cl.** **D28/4; D28/7**

(58) **Field of Search** D28/7, 4, 99, 9;
D24/189; 132/320, 319, 333; 604/289,
303, 304, 307; 424/443, 444; D29/108

(56) **References Cited**

U.S. PATENT DOCUMENTS

D388,533 S	*	12/1997	Uemura et al.	D28/4
5,785,978 A	*	7/1998	Porter et al.	424/401
D423,140 S	*	4/2000	DiMartino et al.	D28/4
D423,712 S	*	4/2000	Aoki et al.	D28/4
D427,370 S	*	6/2000	Kalafsky et al.	D28/4
6,106,818 A	*	8/2000	Dulog et al.	424/78.03

D434,524 S	*	11/2000	Kalafsky et al.	D28/4
D438,338 S	*	2/2001	Sasahara	D28/4
6,299,605 B1	*	10/2001	Ishida	604/289
6,503,232 B1	*	1/2003	Kawai et al.	604/303
6,649,191 B1	*	11/2003	Tester et al.	424/488

* cited by examiner

Primary Examiner—Lucy Lieberman

(74) *Attorney, Agent, or Firm*—Kanesaka and Takeuchi

(57) **CLAIM**

The ornamental design for a mask sheet for facial pack, as shown and described.

DESCRIPTION

FIG. 1 is a perspective view of a mask sheet for facial pack showing my new design;
 FIG. 2 is a front view thereof, a rear view being identical to the front view;
 FIG. 3 is a plan view thereof;
 FIG. 4 is a bottom view thereof;
 FIG. 5 is a right side view thereof, a left side view being identical to the right side view; and,
 FIG. 6 is a sectional view taken along line 6—6 in FIG. 2.

1 Claim, 3 Drawing Sheets

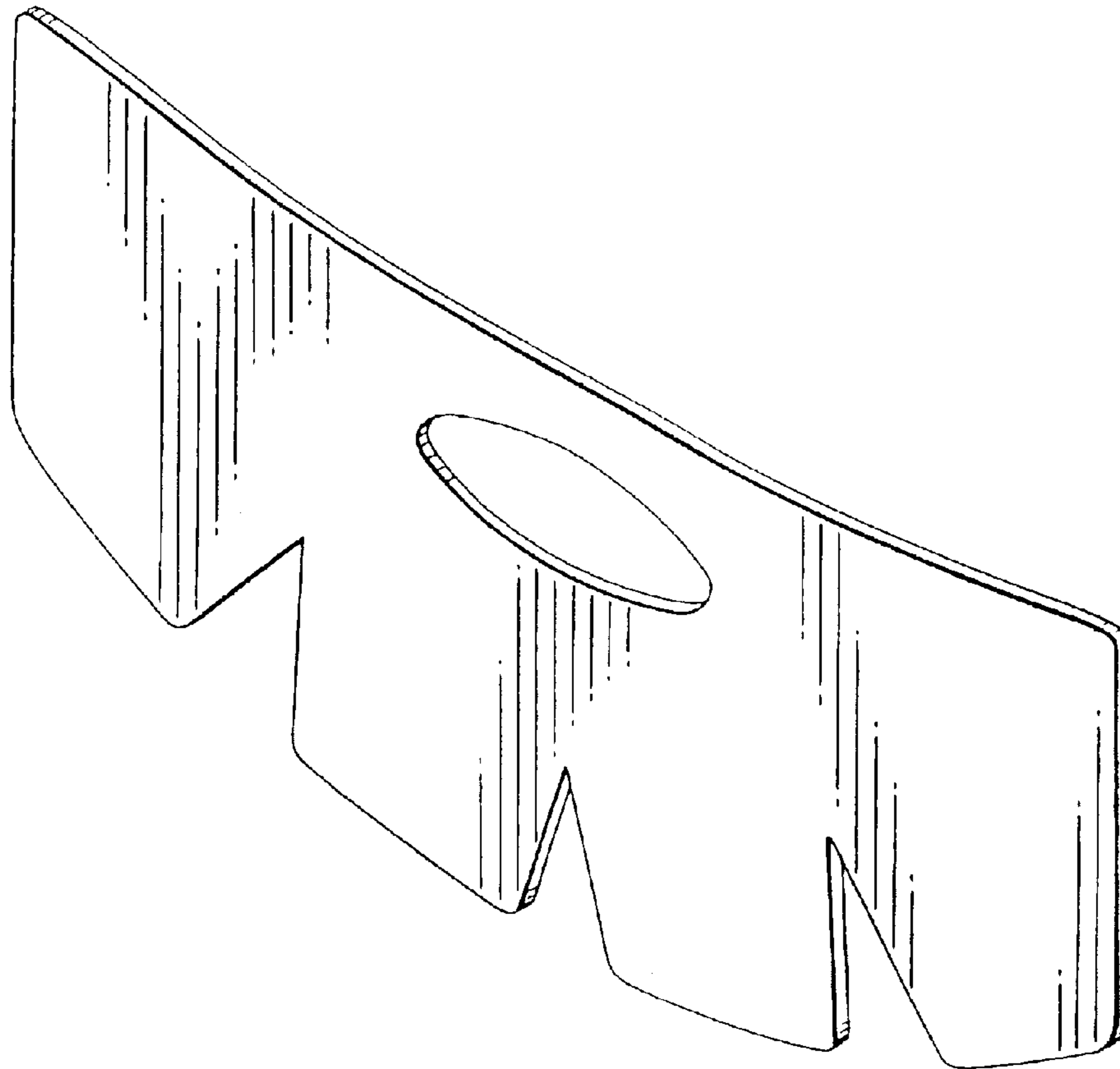


FIG. 1

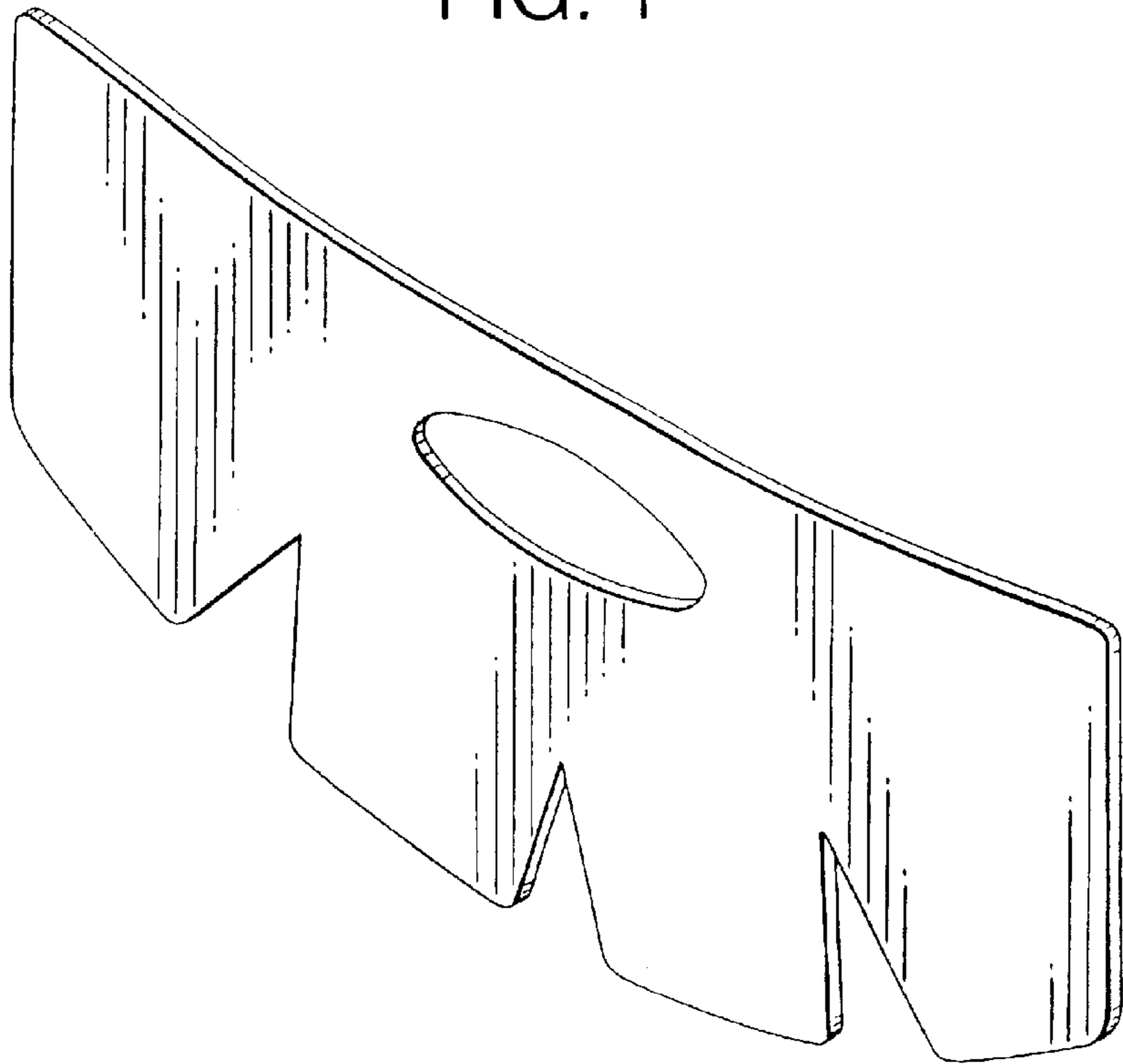


FIG. 2

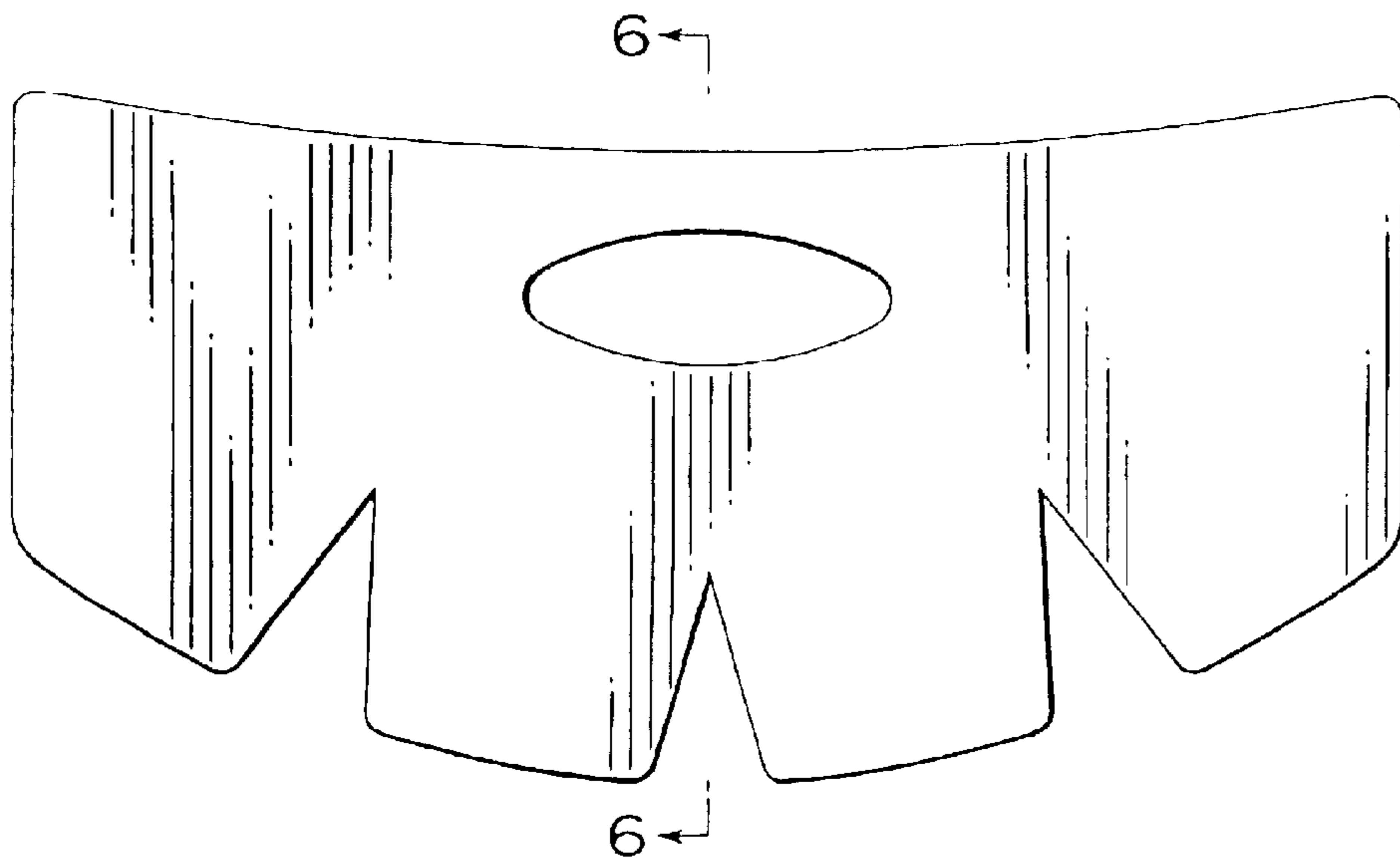


FIG. 3

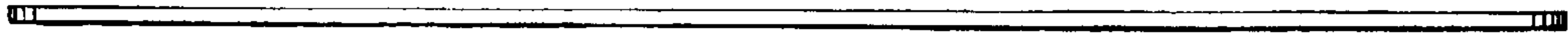


FIG. 4



FIG. 5



FIG. 6

