



US00D487939S

(12) **United States Design Patent**  
**Smith**

(10) **Patent No.:** **US D487,939 S**

(45) **Date of Patent:** **\*\* Mar. 30, 2004**

(54) **LIGHT SOURCE**

(75) Inventor: **Michael Dean Smith**, Hong Kong (CN)

(73) Assignee: **Epilight Technology Co., Inc.**, Irvine, CA (US)

(\*\*) Term: **14 Years**

(21) Appl. No.: **29/169,425**

(22) Filed: **Oct. 17, 2002**

(51) **LOC (7) Cl.** ..... **26-04**

(52) **U.S. Cl.** ..... **D26/2**

(58) **Field of Search** ..... D26/1, 2, 3; 313/313, 313/315, 318.01; 348/151; 396/427, 535-541

(56) **References Cited**

**U.S. PATENT DOCUMENTS**

D325,096 S	*	3/1992	Peshak	.....	D26/3
D326,160 S	*	5/1992	Vrancart et al.	.....	D26/2
D336,963 S	*	6/1993	Levin et al.	.....	D26/2
D379,538 S	*	5/1997	Gallant	.....	D26/2
5,649,256 A	*	7/1997	Wen	.....	396/427
D395,092 S	*	6/1998	Vakil	.....	D26/2
D407,833 S	*	4/1999	Foo	.....	D26/3
5,997,354 A	*	12/1999	Fulop et al.	.....	439/615
6,061,087 A	*	5/2000	Schieltz et al.	.....	348/151

D435,577 S	*	12/2000	McBride	.....	D16/203
D463,584 S	*	9/2002	Yim	.....	D26/2
D470,603 S	*	2/2003	Bobel	.....	D26/2
D470,607 S	*	2/2003	Bobel	.....	D26/2
D471,294 S	*	3/2003	Bobel	.....	D26/2

\* cited by examiner

*Primary Examiner*—Philip S. Hyder

*Assistant Examiner*—Selina Sikder

(74) *Attorney, Agent, or Firm*—Thomas F. Lebens; Fitch, Even, Tabin & Flannery

(57) **CLAIM**

The ornamental design for a light source, as shown and described.

**DESCRIPTION**

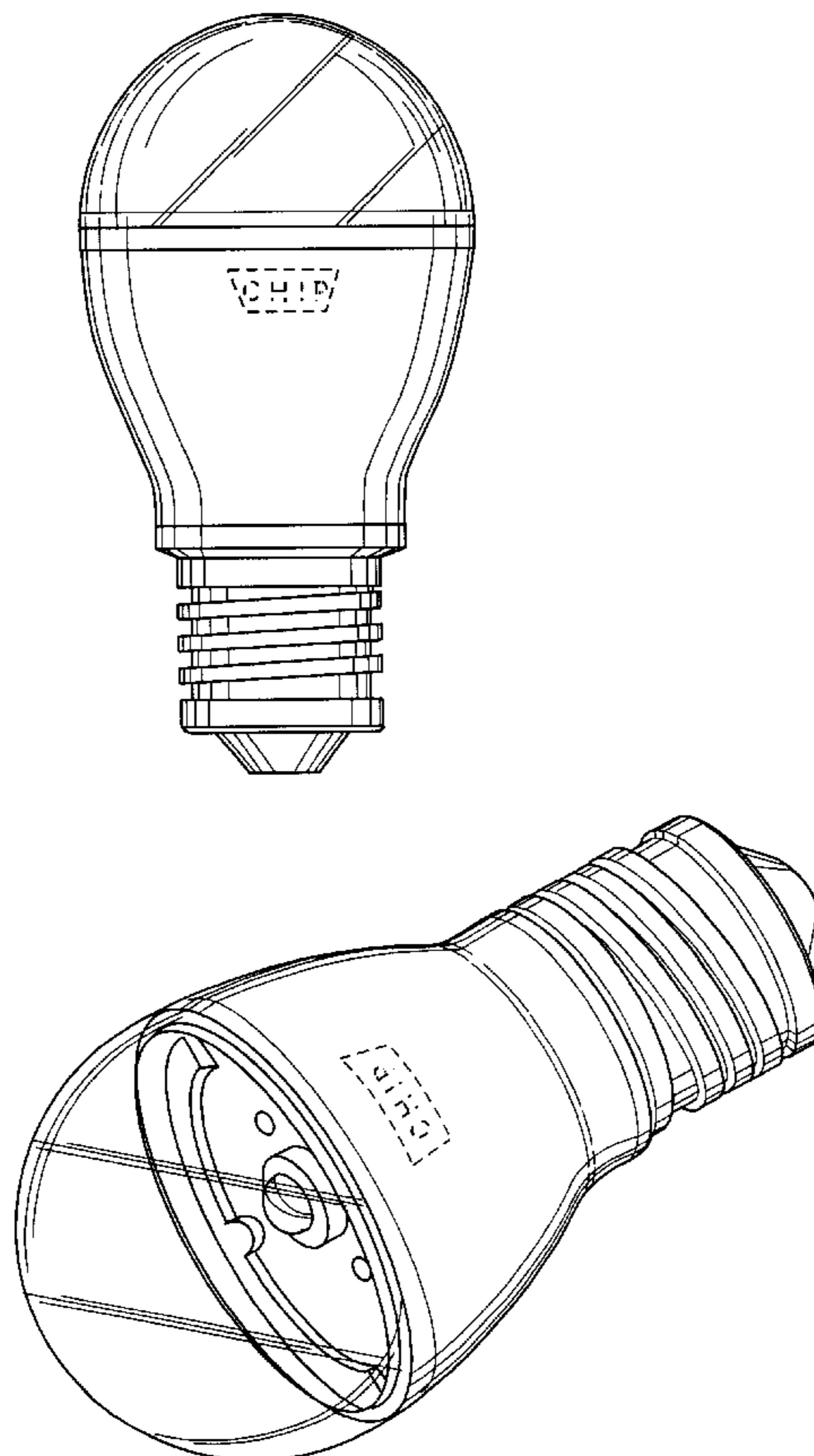
FIG. 1 is a side view of the light source showing the design; FIG. 2 is a top plan view of the light source showing the design;

FIG. 3 is a bottom plan view of the light source showing the design; and,

FIG. 4 is a side perspective view of the light source showing the design.

The broken lines in the drawing are for illustrative purposes only and form no part of the claimed design.

**1 Claim, 2 Drawing Sheets**



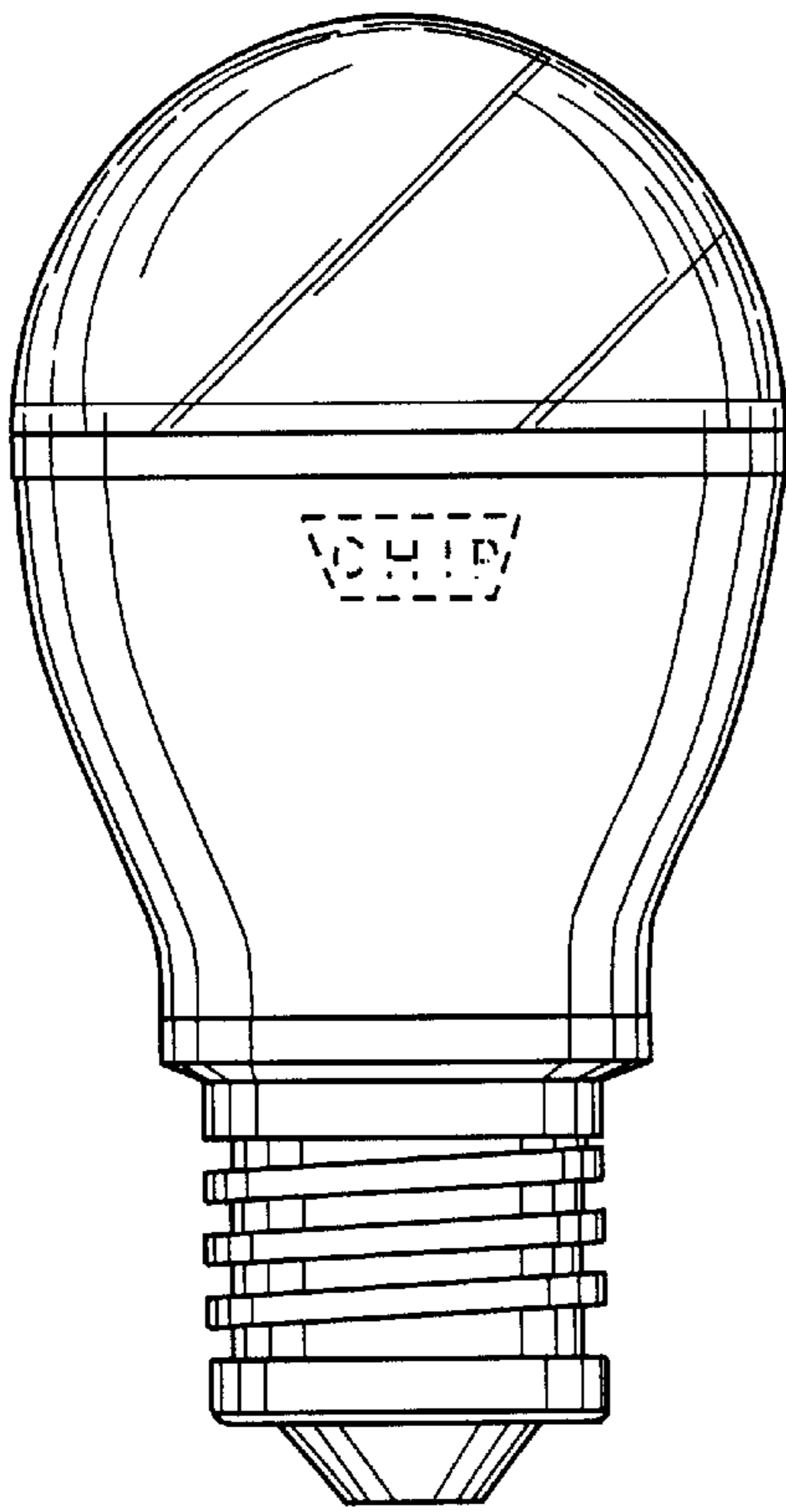


Fig. 1

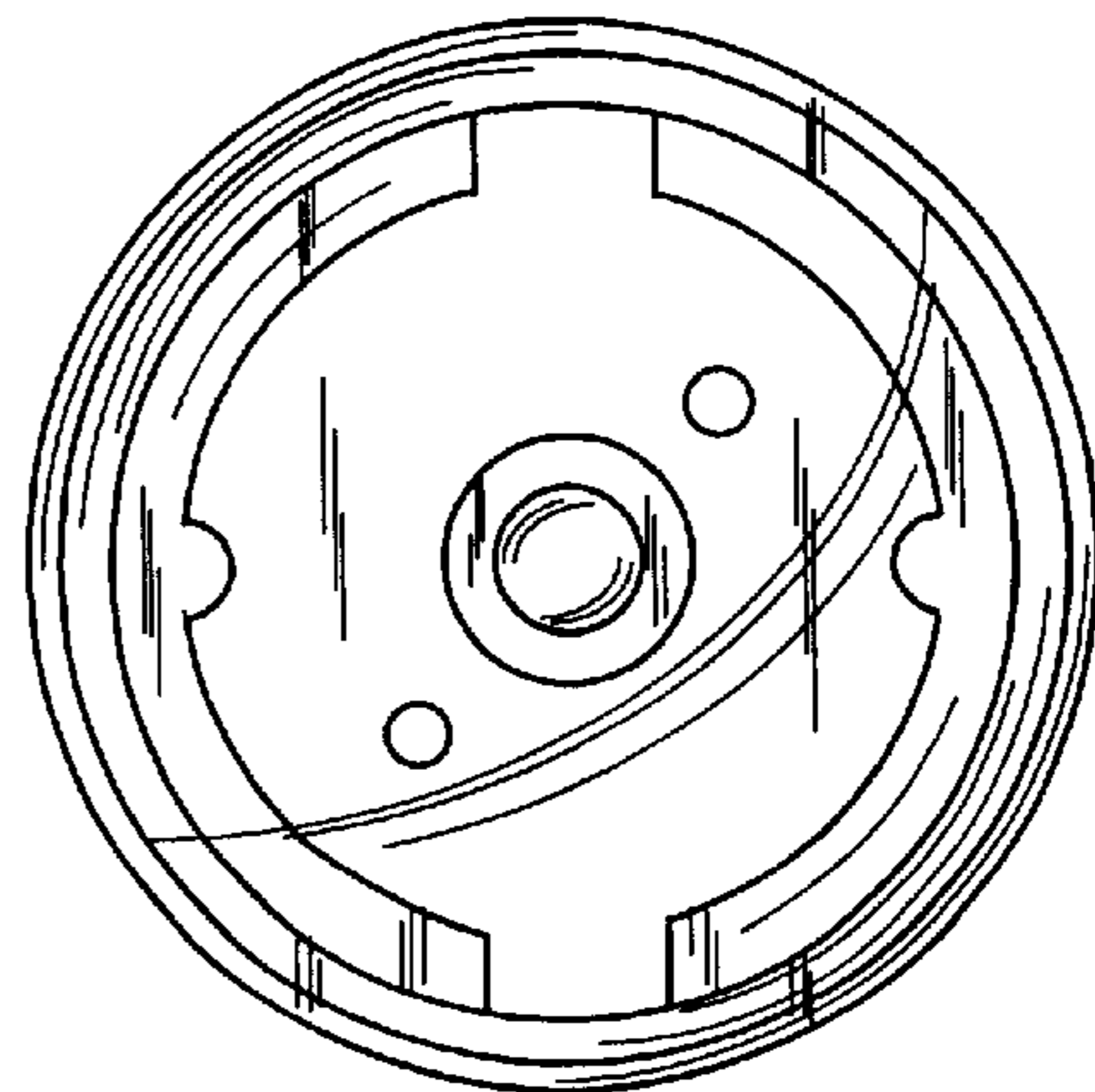


Fig. 2

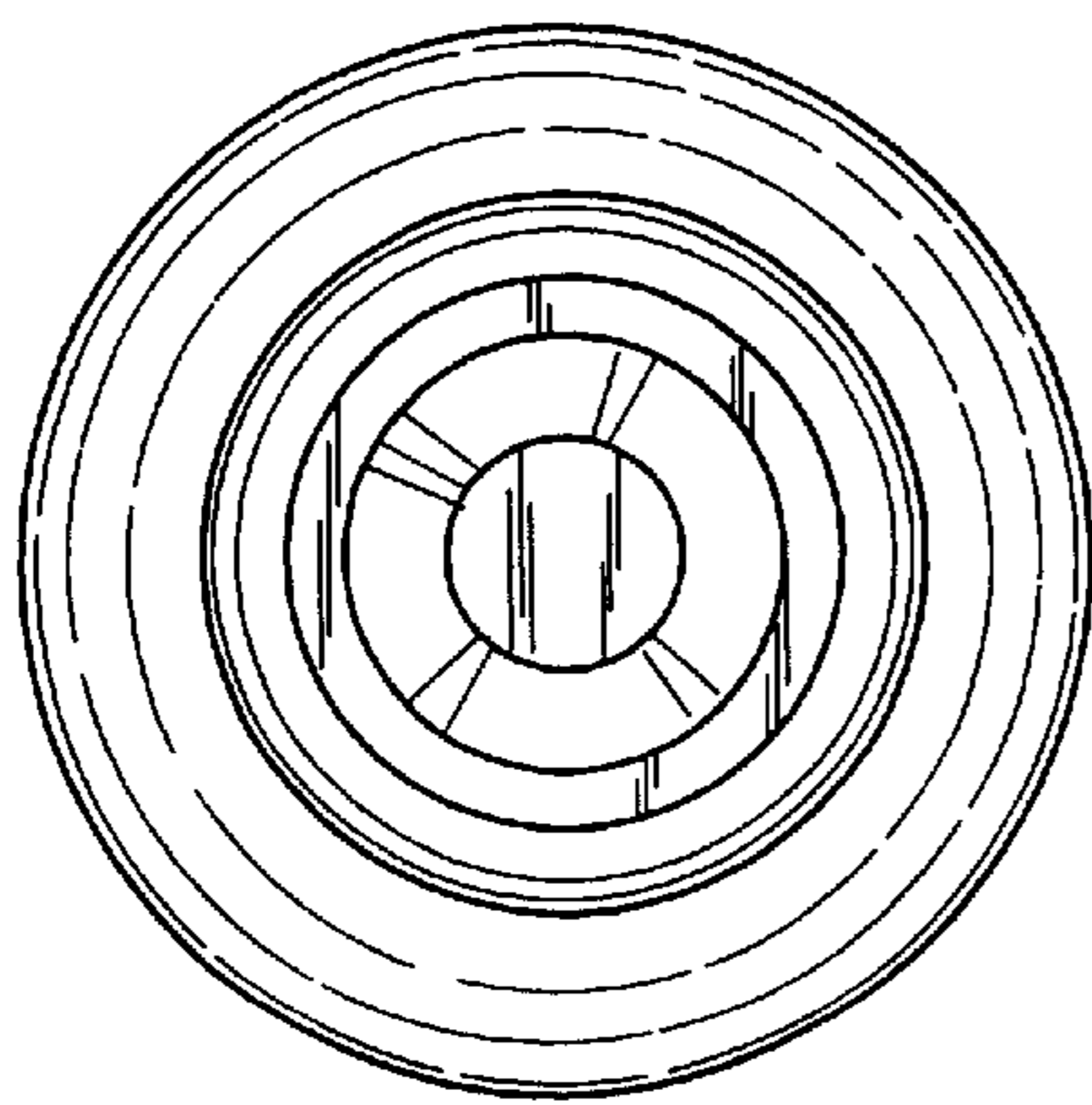


Fig. 3

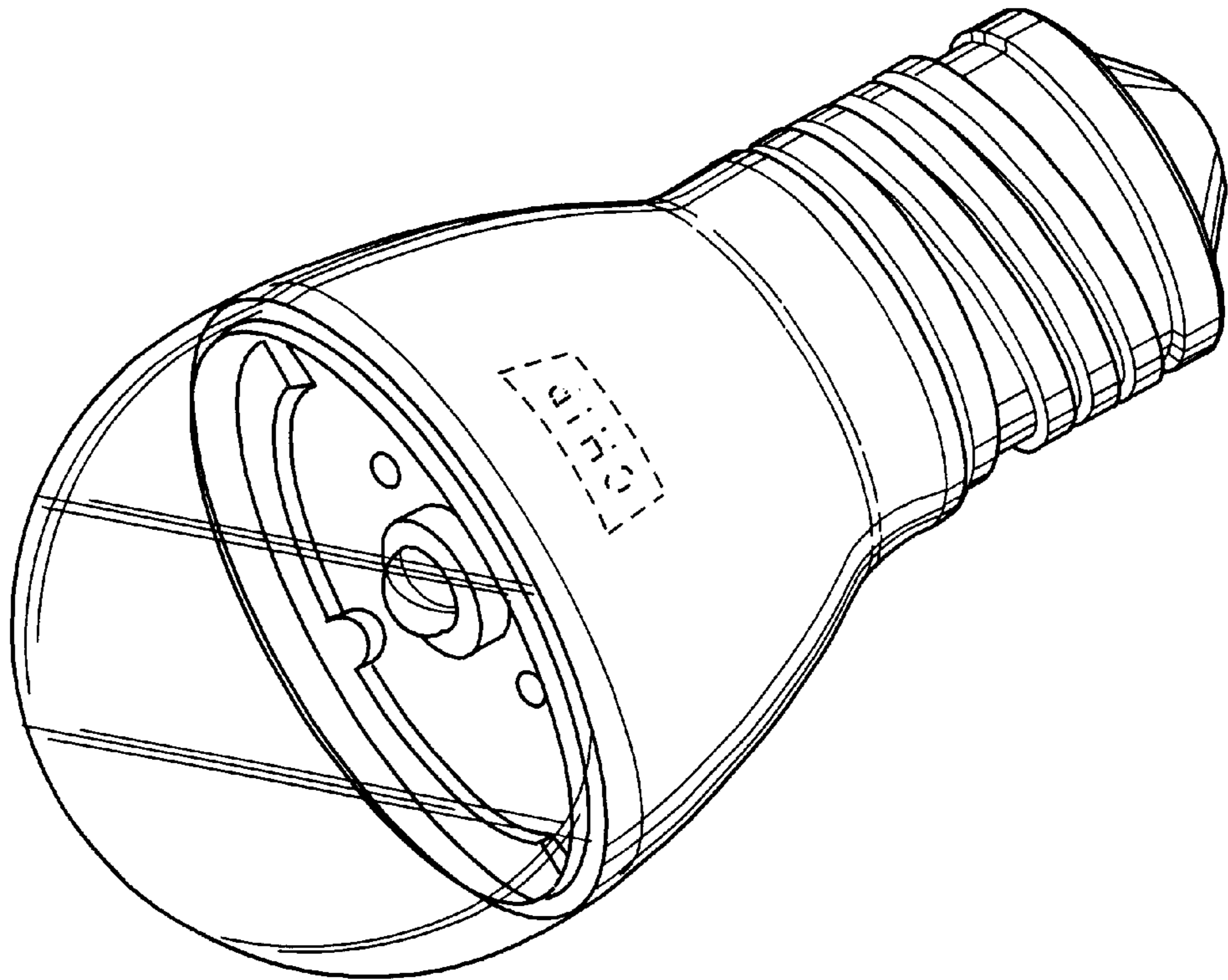


Fig. 4