



US00D487937S

(12) **United States Design Patent**
Habeck et al.

(10) **Patent No.:** **US D487,937 S**

(45) **Date of Patent:** **** Mar. 30, 2004**

(54) **DOUBLE HUNG FLUSH FIN
REPLACEMENT FRAME SILL FOR A
WINDOW**

D440,665 S * 4/2001 Habeck et al. D25/124
D452,916 S * 1/2002 Edger D25/124
D453,841 S * 2/2002 Haugerg et al. D25/124
D453,845 S * 2/2002 Scalzott D25/124

(75) Inventors: **Jerome Carl Habeck**, Holt, MI (US);
Stanley M. Gursky, Yardley, PA (US);
Dennis C. Westphal, Parma, MI (US);
Edward M. McIntosh, West Chester,
PA (US)

* cited by examiner

Primary Examiner—Doris Clark

(73) Assignee: **CertainTeed Corporation**, Valley
Forge, PA (US)

(74) *Attorney, Agent, or Firm*—Duane Morris LLP

(**) Term: **14 Years**

(57) **CLAIM**

(21) Appl. No.: **29/178,808**

The ornamental design for a double hung flush fin replace-
ment frame sill for a window, as shown and described in the
FIGURE.

(22) Filed: **Mar. 31, 2003**

DESCRIPTION

(51) **LOC (7) Cl.** **25-01**

(52) **U.S. Cl.** **D25/124**

(58) **Field of Search** D25/124, 119,
D25/125, 52, 60; 52/204.56, 204.5, 208;
49/504

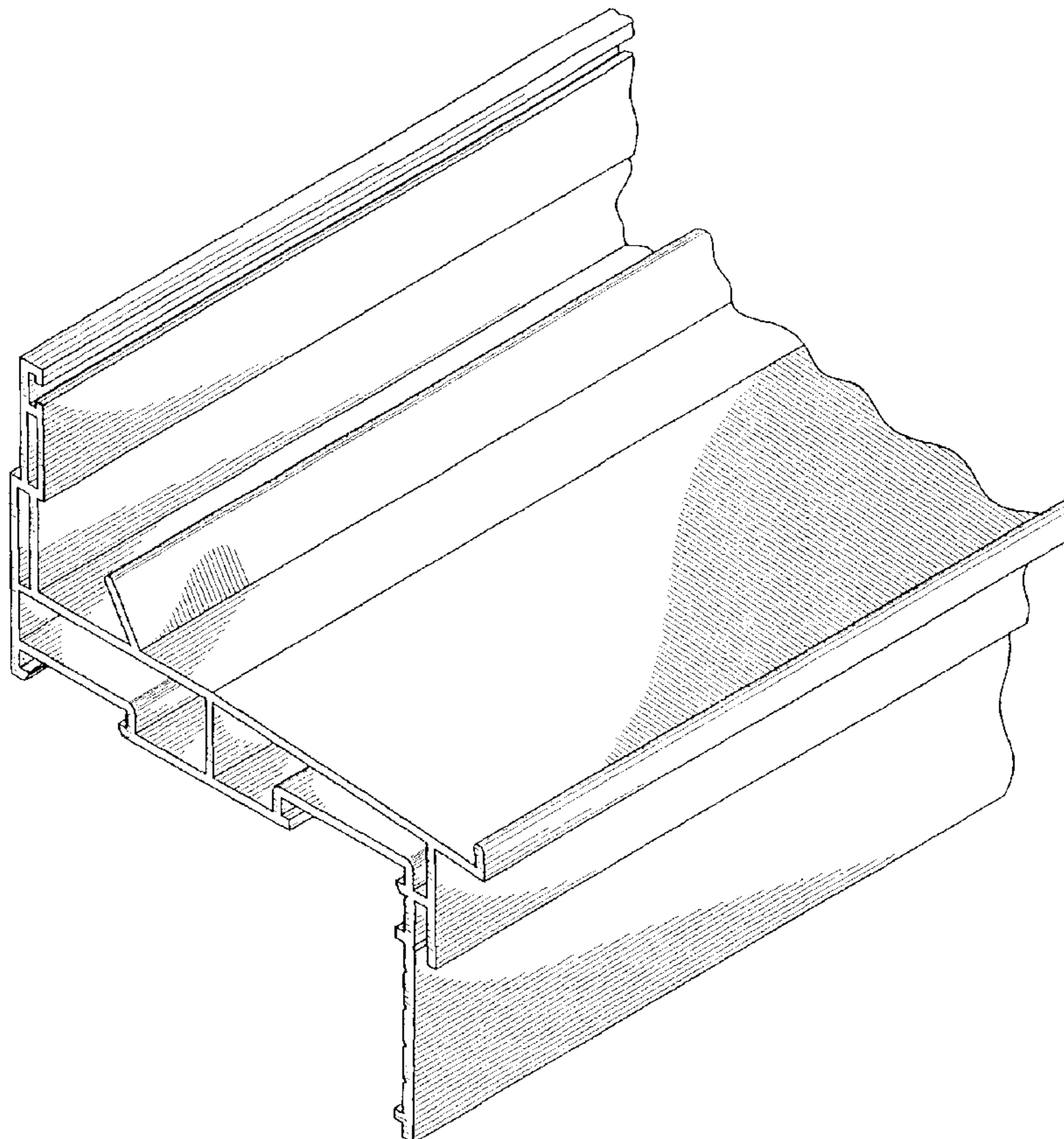
The FIGURE is a front perspective view of a double hung
flush fin replacement frame sill for a window, showing our
new design, the rear perspective view being a mirror image,
and which is shown fragmented indicating indefinite length.

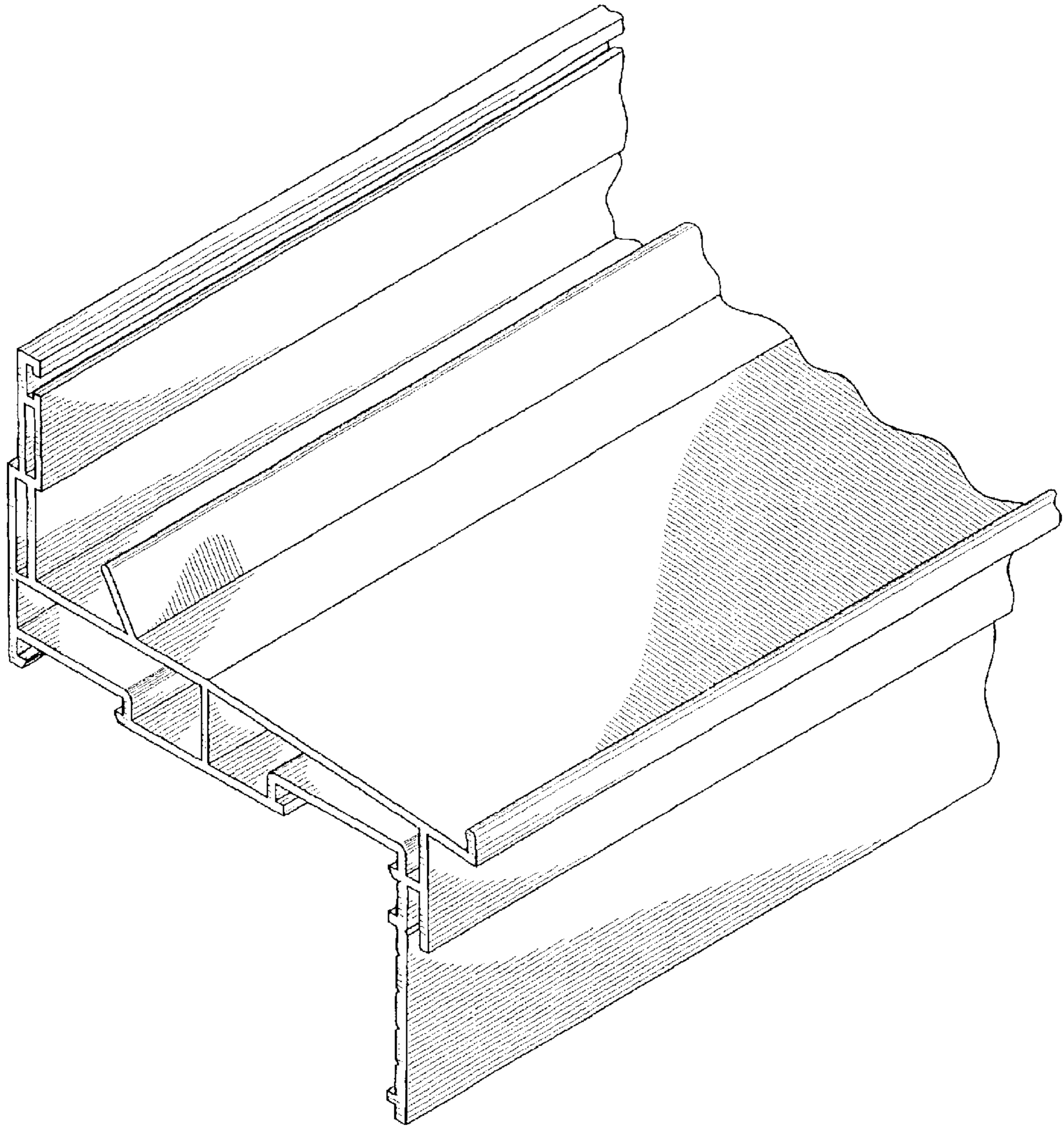
(56) **References Cited**

U.S. PATENT DOCUMENTS

D437,424 S * 2/2001 Habeck et al. D25/124

1 Claim, 1 Drawing Sheet





THE FIGURE