



US00D487932S

(12) **United States Design Patent**
Crooks

(10) **Patent No.:** **US D487,932 S**

(45) **Date of Patent:** **** Mar. 30, 2004**

(54) **LANDSCAPING BLOCK WITH TUBULAR ROPE LIGHTING GROOVE FOR STRAIGHT OR CURVED EDGING**

5,943,827 A 8/1999 Okerlund
6,132,820 A 10/2000 Callahan
D477,673 S * 7/2003 Thomas D25/113

(76) **Inventor:** **Troy W. Crooks**, 2719 8th St., Port Neches, TX (US) 77651

* cited by examiner

(**) **Term:** **14 Years**

Primary Examiner—Louis S. Zarfaz
Assistant Examiner—Robert A Delehanty
(74) *Attorney, Agent, or Firm*—Donald R. Schoonover

(21) **Appl. No.:** **29/179,254**

(57) **CLAIM**

(22) **Filed:** **Apr. 8, 2003**

I claim the ornamental design for a landscaping block with tubular rope lighting groove for straight or curved edging, as shown and described.

(51) **LOC (7) Cl.** **25-01**

(52) **U.S. Cl.** **D25/113**

(58) **Field of Search** D25/112–113,
D25/164; D21/484–486, 493; 405/16, 272,
284; 404/27–31, 34, 41–42, 22–24; 52/574–575,
600, 604, 608, 270; D28/8.1

DESCRIPTION

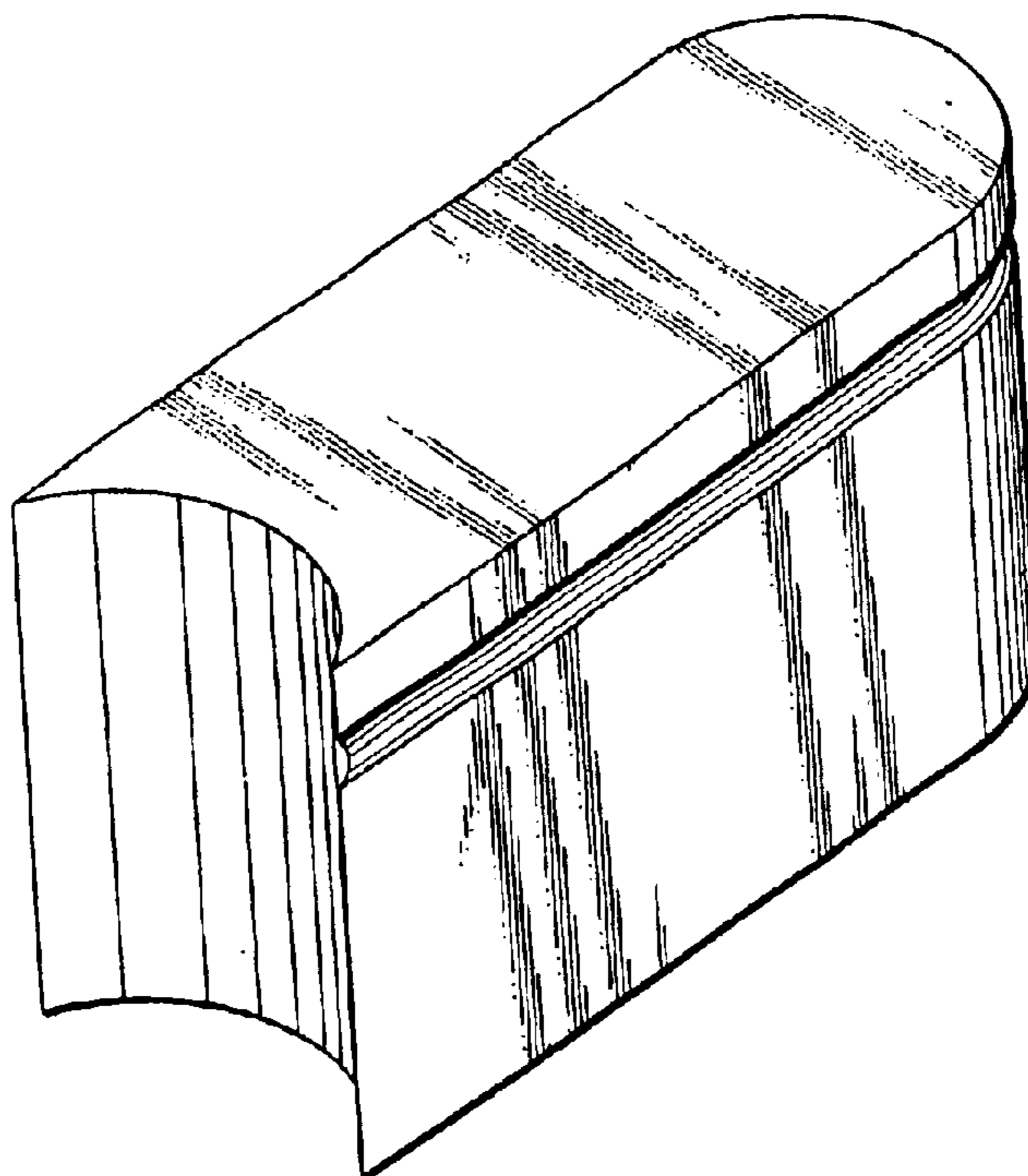
(56) **References Cited**

U.S. PATENT DOCUMENTS

D27,959 S	*	12/1897	Curtain	D28/8.1
2,155,026 A	*	4/1939	Tracy	52/270
3,373,668 A	*	3/1968	Moore et al.	D25/113
3,745,327 A		7/1973	Lowery et al.		
4,223,377 A		9/1980	Williams		
4,293,898 A		10/1981	Budnovitch et al.		
4,385,088 A		5/1983	Baskin		
4,719,735 A	*	1/1988	Fleming, Jr. et al.	D25/113
5,003,746 A	*	4/1991	Wilston	52/608
5,186,574 A	*	2/1993	Tavares	404/41

FIG. 1 is a perspective view of a landscaping block with tubular rope lighting groove for straight or curved edging showing my new design;
FIG. 2 is a side elevational view thereof;
FIG. 3 is a top plan view thereof, the bottom plan view being identical thereto;
FIG. 4 is an end elevational view thereof;
FIG. 5 is an elevational view of the opposing end thereof;
FIG. 6 is an elevational view of the opposing side thereof;
and,
FIG. 7 is a reduced perspective view showing the block in condition of use with like blocks and a rope light shown in broken lines and forming no part of the claimed design.

1 Claim, 3 Drawing Sheets



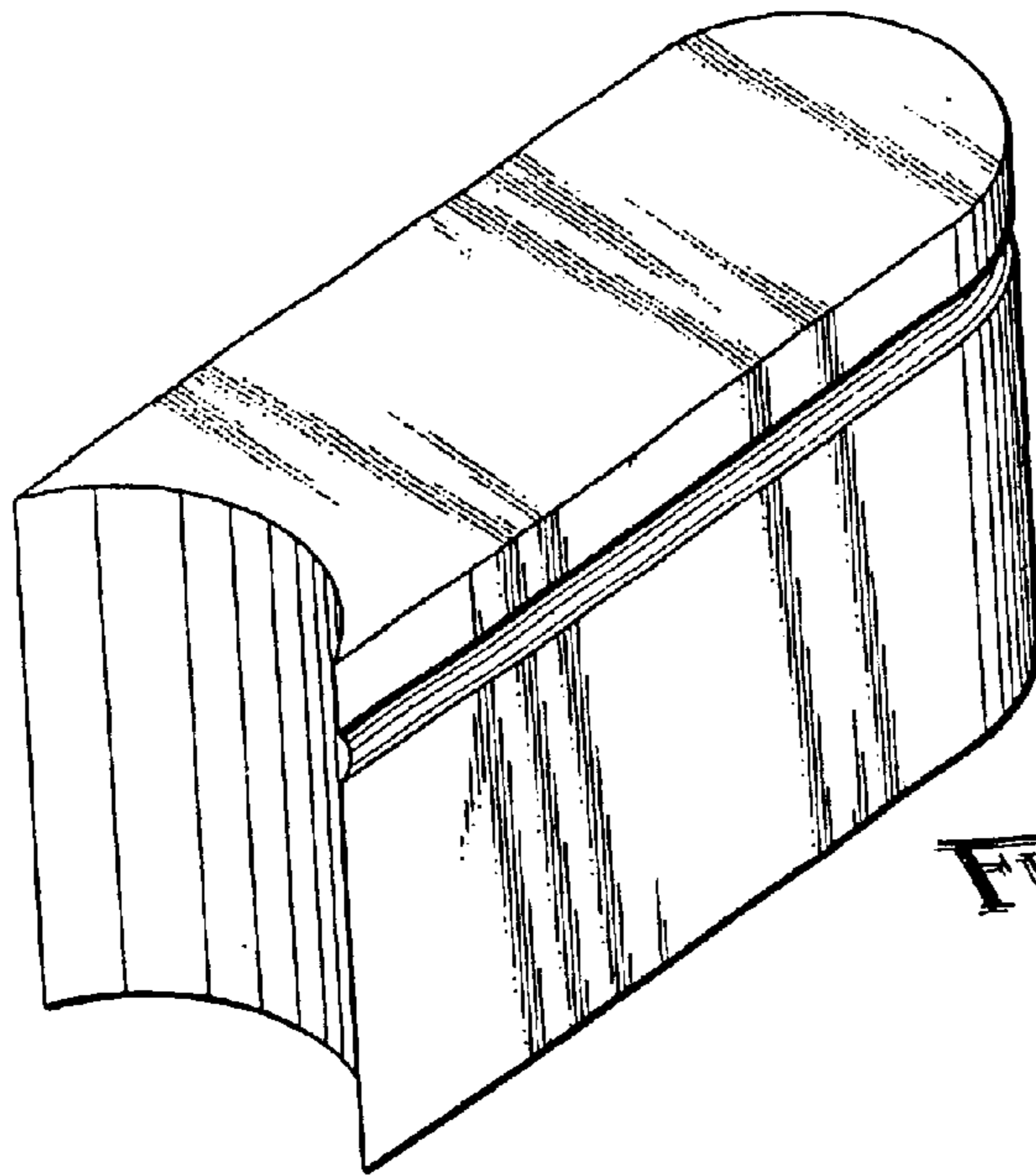


FIG. 1

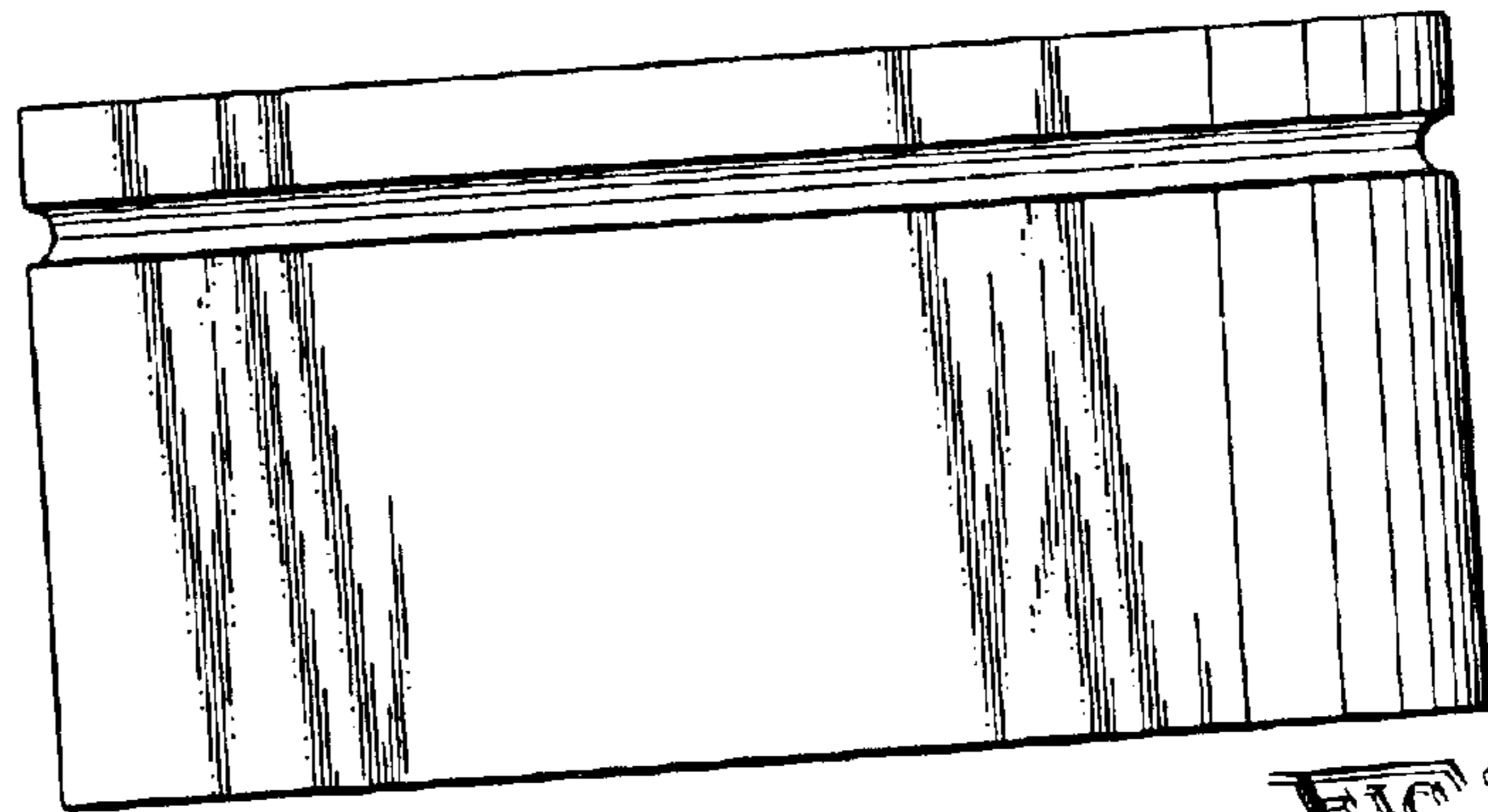


FIG. 2

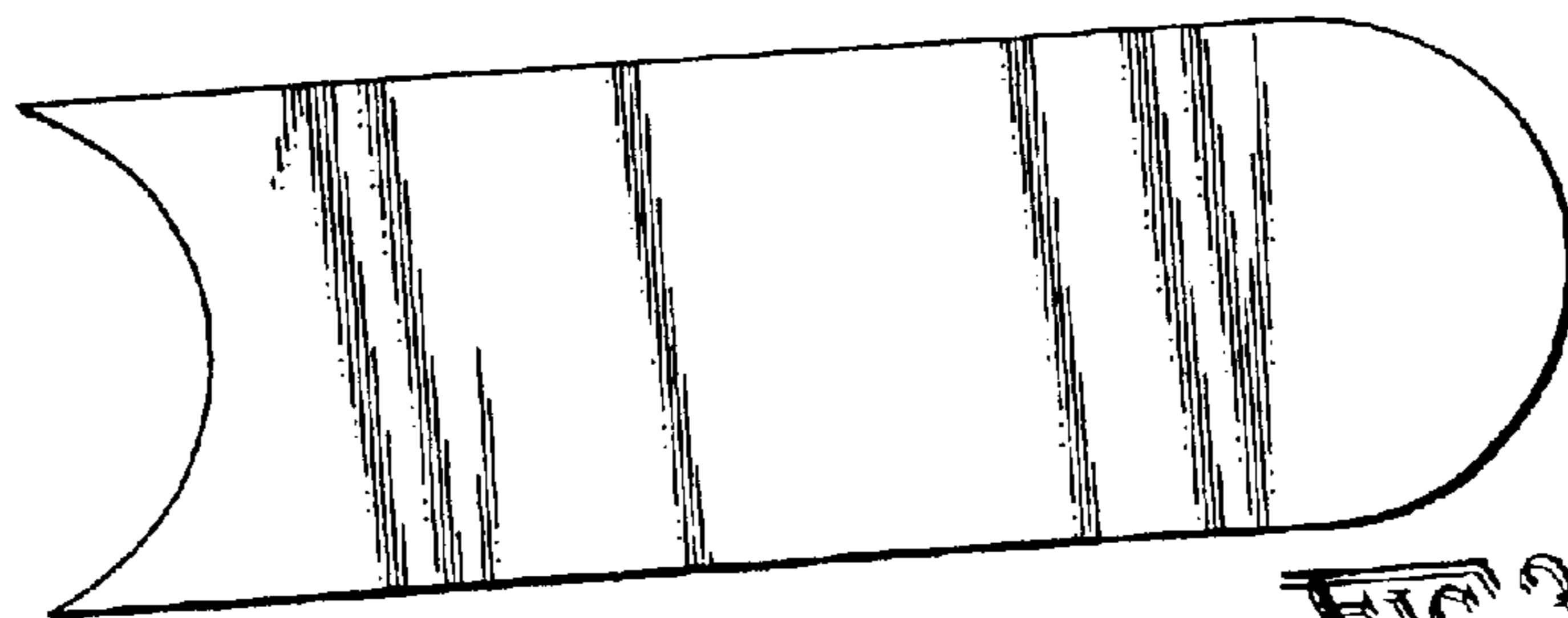


FIG. 3

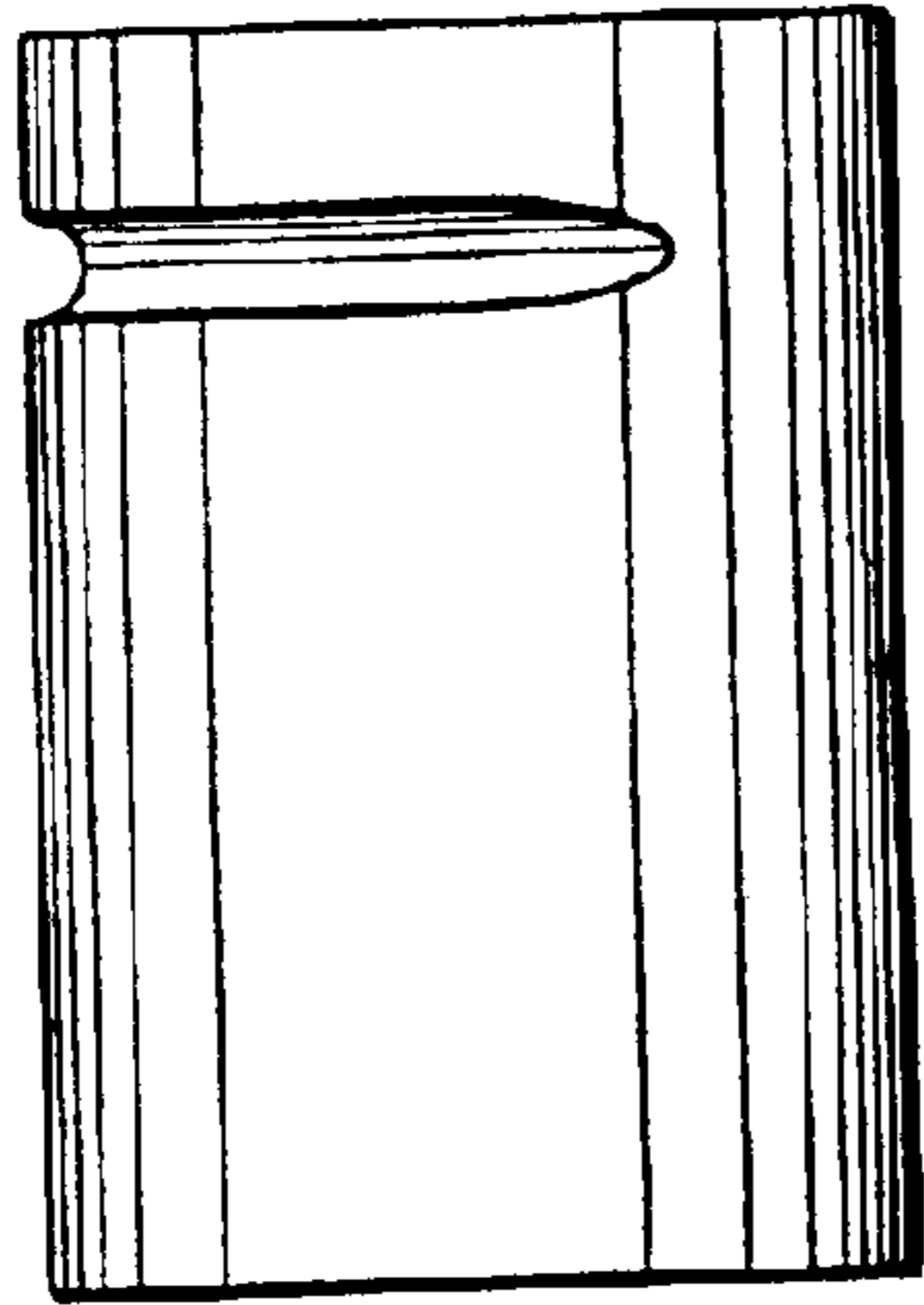


FIG. 4

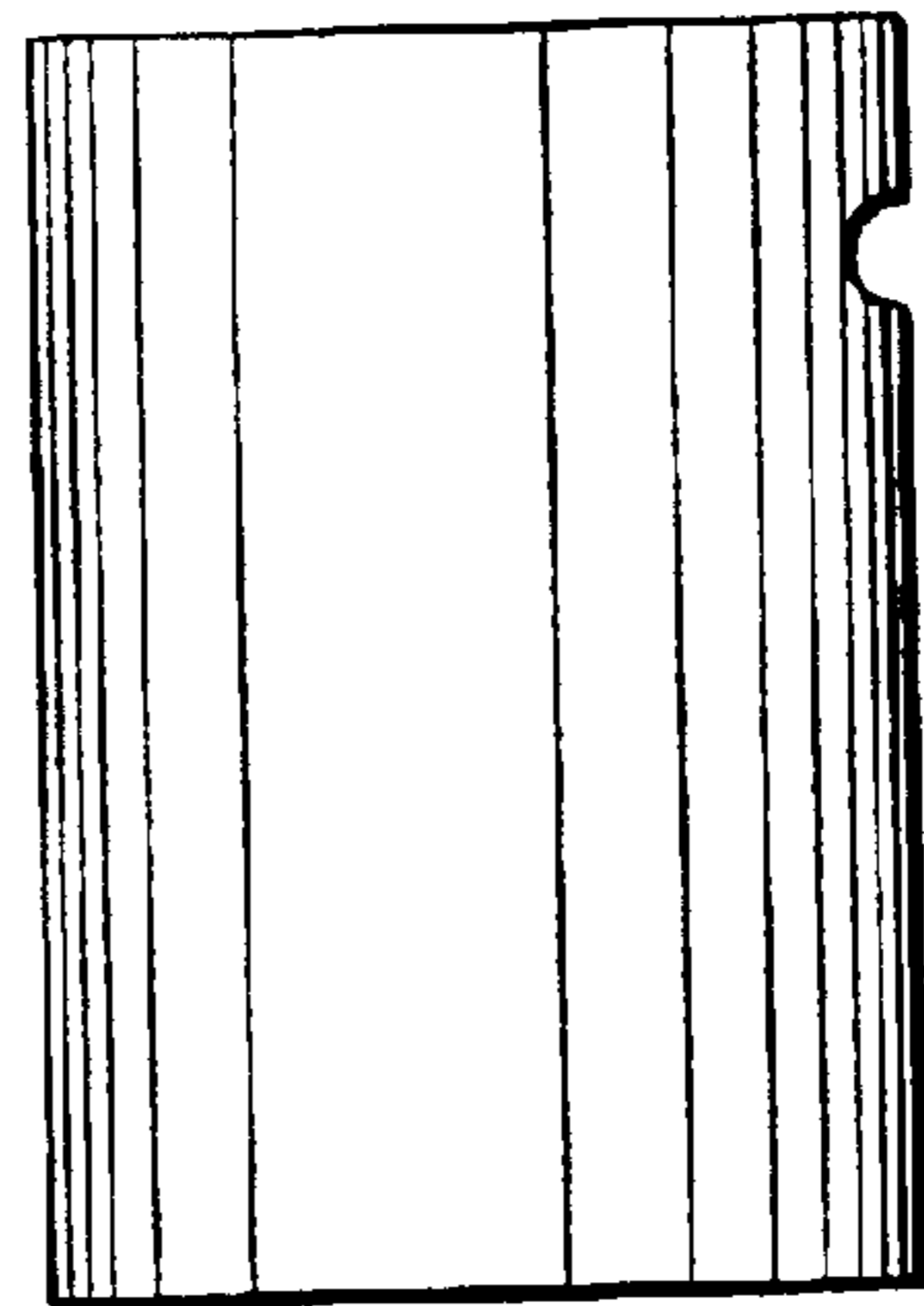


FIG. 5

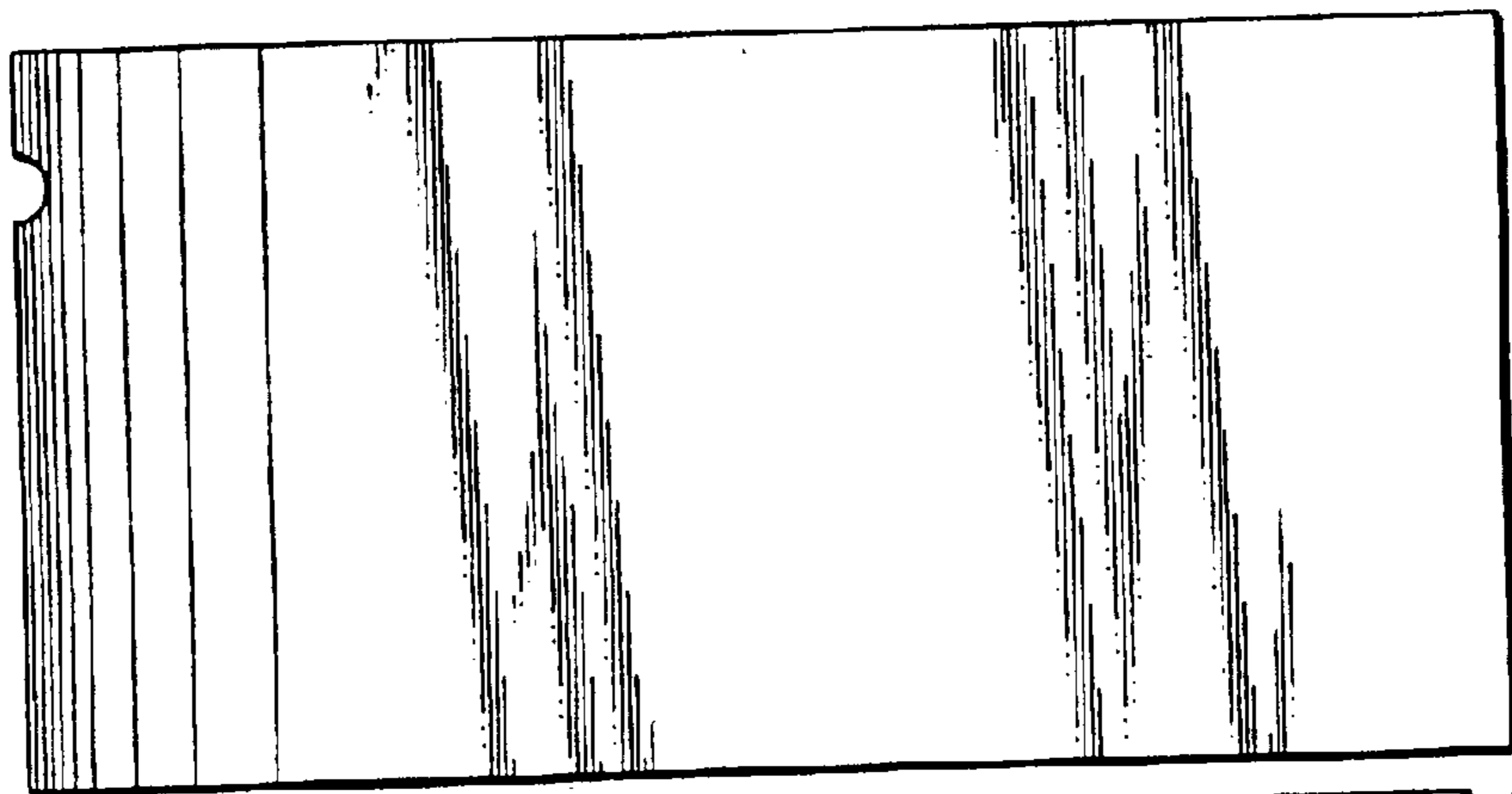


FIG. 6

