



US00D487927S

(12) **United States Design Patent**
Toro

(10) **Patent No.:** **US D487,927 S**

(45) **Date of Patent:** **** Mar. 30, 2004**

(54) **HEATER**

(75) Inventor: **Joseph Toro**, Stratford, CT (US)

(73) Assignee: **HP Intellectual Corp.**, Wilmington, DE (US)

(**) Term: **14 Years**

(21) Appl. No.: **29/151,400**

(22) Filed: **Dec. 6, 2001**

(51) **LOC (7) Cl.** **23-03**

(52) **U.S. Cl.** **D23/335**

(58) **Field of Search** D23/314, 328,
D23/332, 335-341, 378; 126/90 A, 92 A,
92 B, 92 AC; 312/236; 392/365.9, 373-6

(56) **References Cited**

U.S. PATENT DOCUMENTS

D111,000 S	8/1938	Knox et al.
D141,834 S	7/1945	Maxon, Jr.
D151,726 S	11/1948	Winkler et al.
D155,243 S	9/1949	Sundberg
D168,340 S	12/1952	Gallay
D246,252 S	11/1977	Schade
D246,253 S	11/1977	Schade
D267,424 S	12/1982	Boldt et al.
D281,811 S	12/1985	Horst, Sr.
D286,428 S	10/1986	Liu
D314,615 S	2/1991	Hetherington
D316,596 S	4/1991	Ooki et al.
D325,251 S	4/1992	Schindler et al.
D329,284 S	9/1992	Patton
D329,692 S	9/1992	Chaney et al.
D337,635 S	7/1993	Schindler et al.
D343,230 S	1/1994	Lim

D343,448 S	1/1994	Jursich et al.
D343,677 S	1/1994	Gyori et al.
D346,017 S	4/1994	Lim
D365,389 S	12/1995	Williams
D375,546 S	11/1996	Lee
D377,523 S	1/1997	Marvin et al.
D398,045 S	9/1998	Jane et al.
D416,317 S	11/1999	Bellil et al.
D416,613 S	11/1999	Bellil et al.
D422,070 S	3/2000	Bellil et al.
D423,659 S	4/2000	Schippanoski
D448,461 S	9/2001	Toro
D448,837 S	10/2001	Toro

Primary Examiner—B. J. Bullock

(74) *Attorney, Agent, or Firm*—Barry E. Deutsch

(57) **CLAIM**

The ornamental design for a heater, as shown and described.

DESCRIPTION

FIG. 1 is a photograph illustrating a perspective view, taken from the front, top, and right side of a heater illustrating my new design;

FIG. 2 is a photograph illustrating a front elevation view thereof;

FIG. 3 is a photograph illustrating a right side elevation view thereof;

FIG. 4 is a photograph illustrating a left side elevation view thereof;

FIG. 5 is a photograph illustrating a rear elevation view thereof;

FIG. 6 is a photograph illustrating a top plan view thereof; and,

FIG. 7 is a photograph illustrating a bottom plan view thereof.

1 Claim, 4 Drawing Sheets

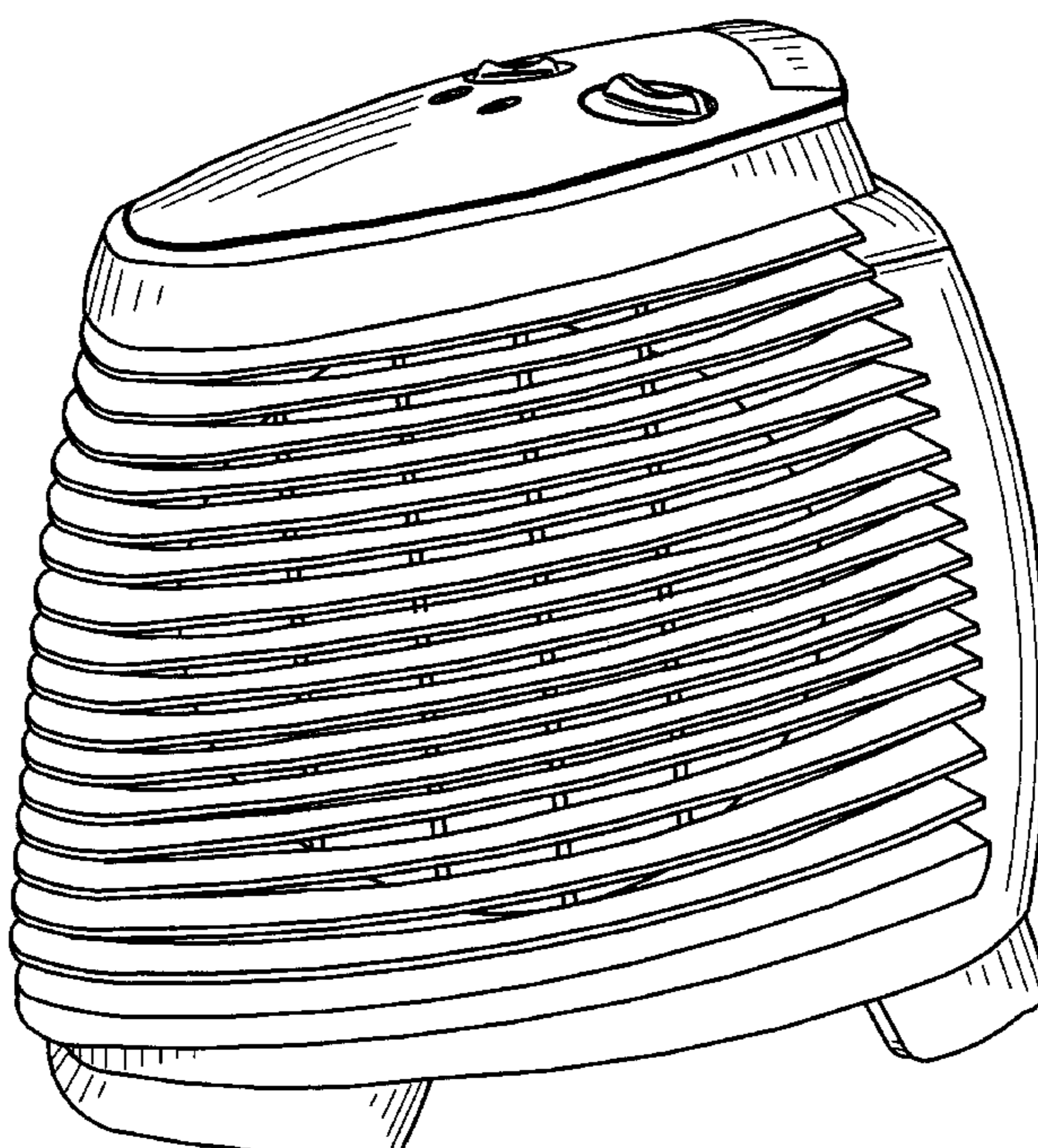


FIG. 1

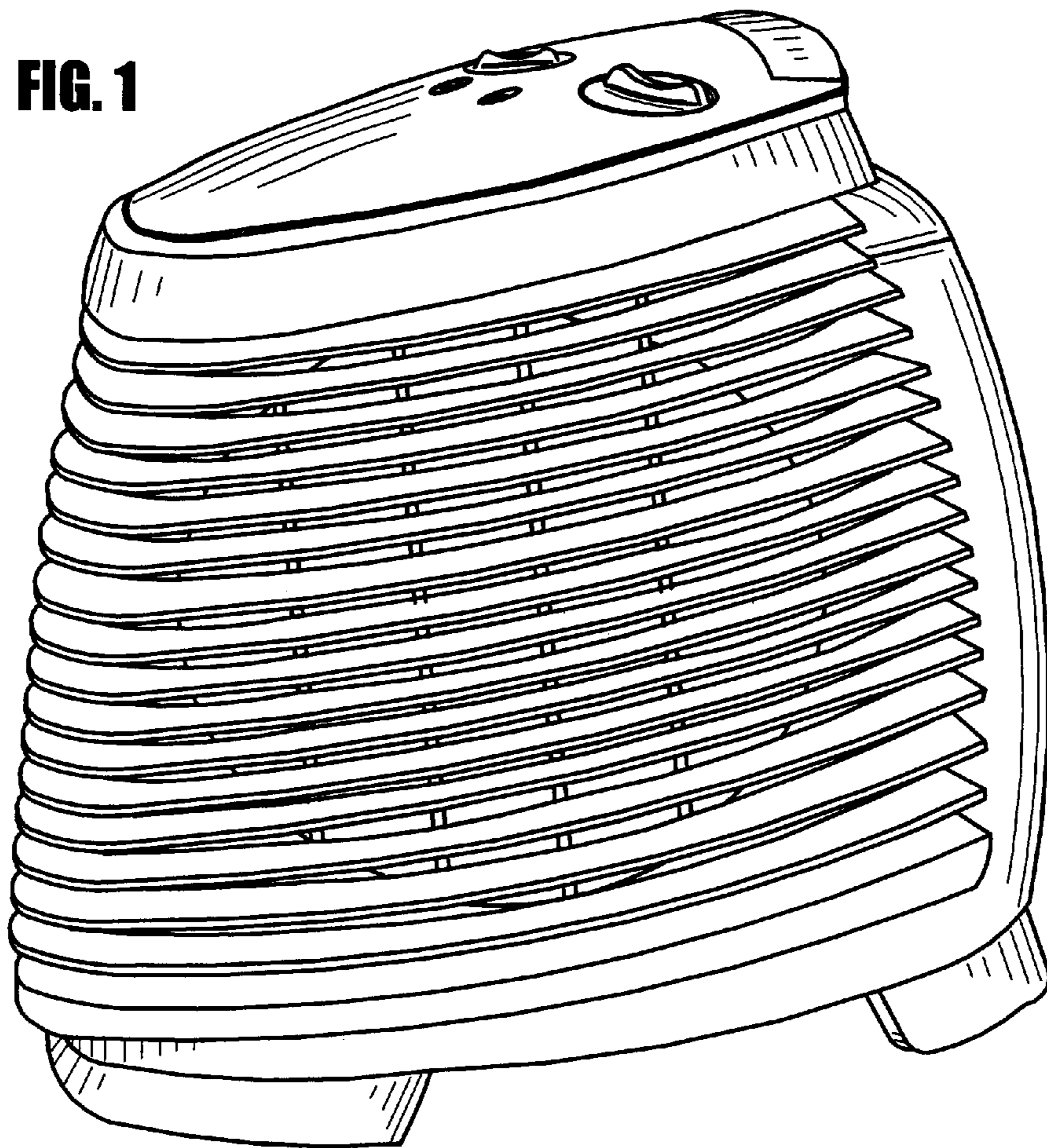


FIG. 2

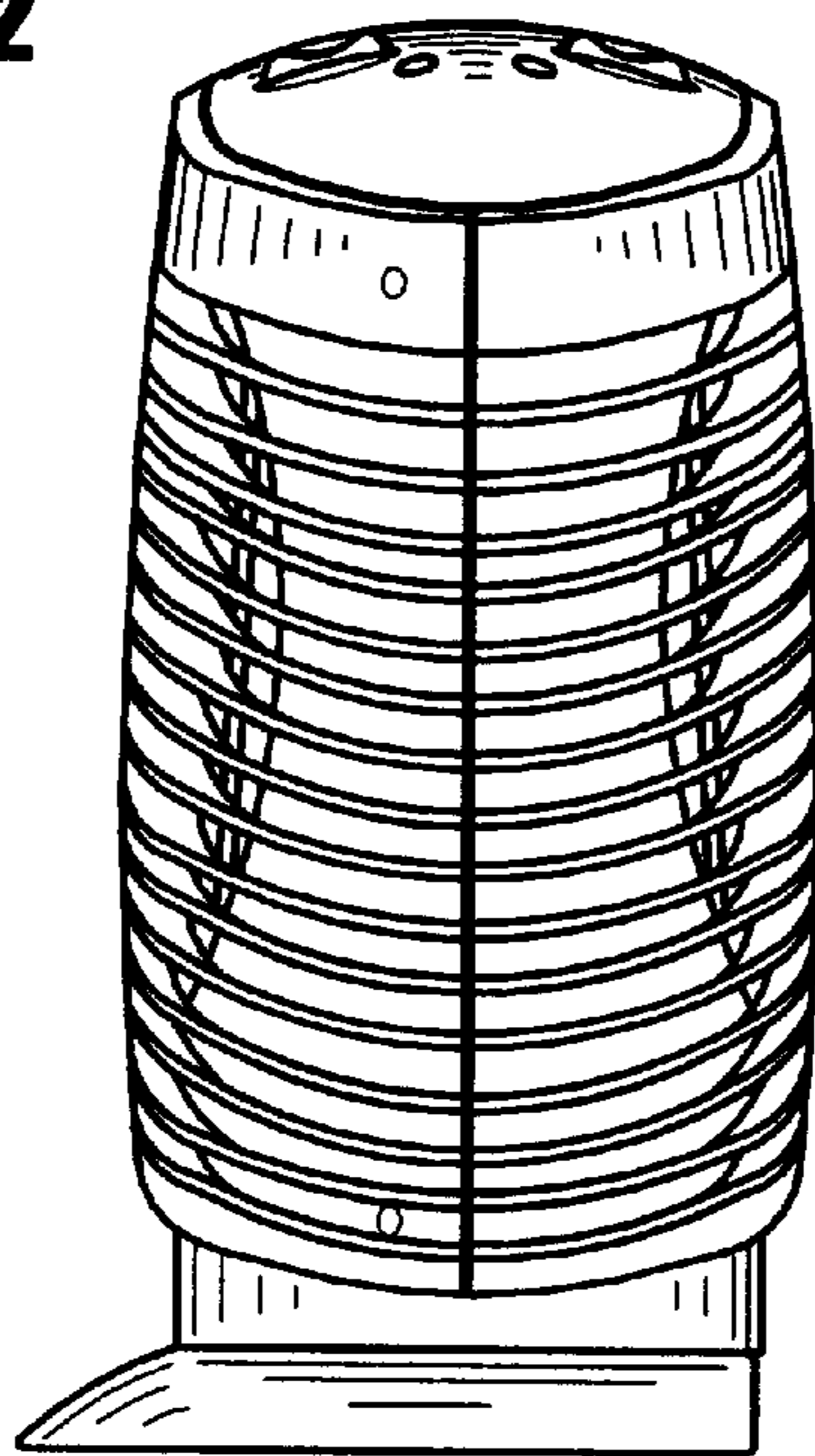


FIG. 3

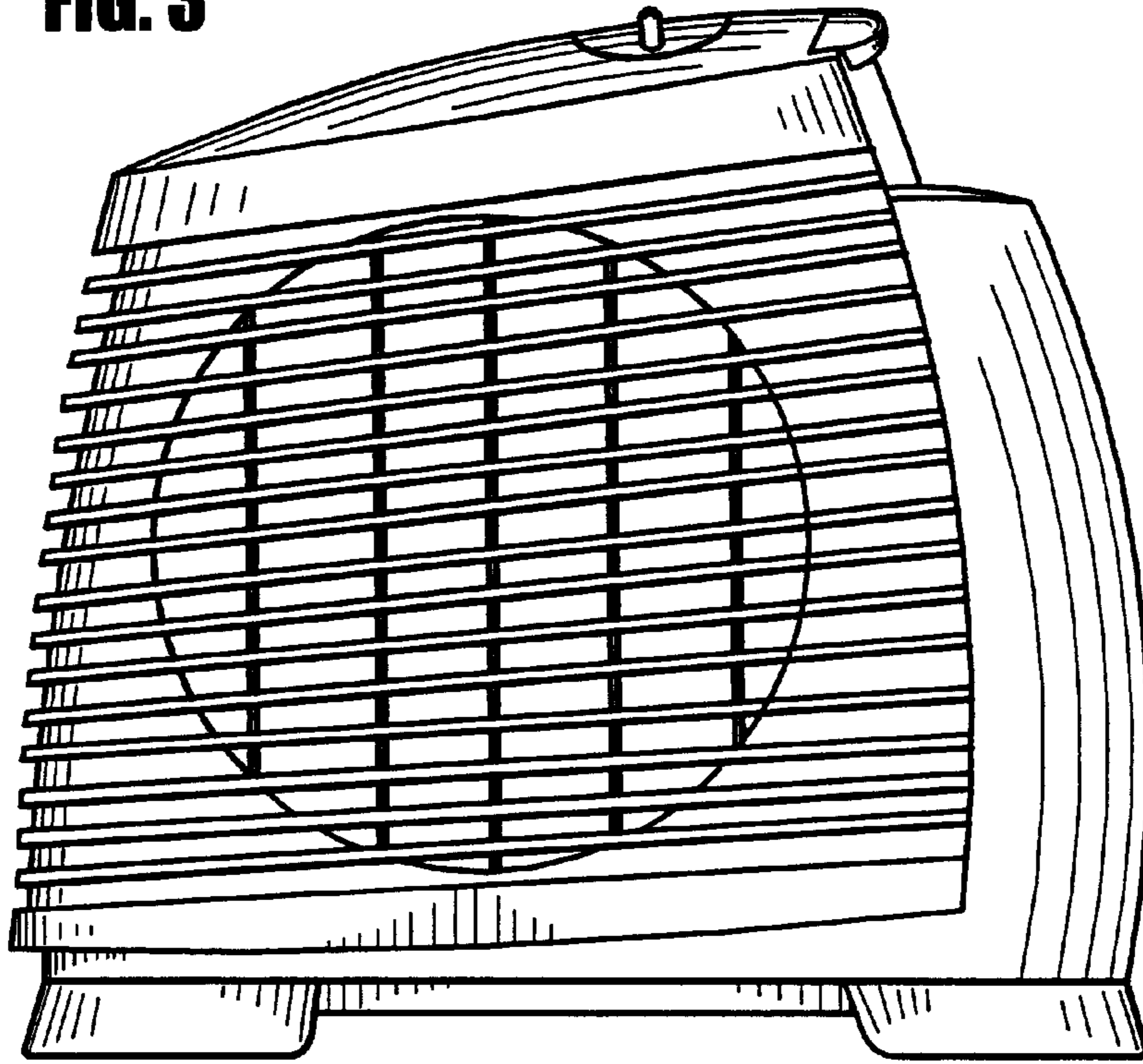


FIG. 4

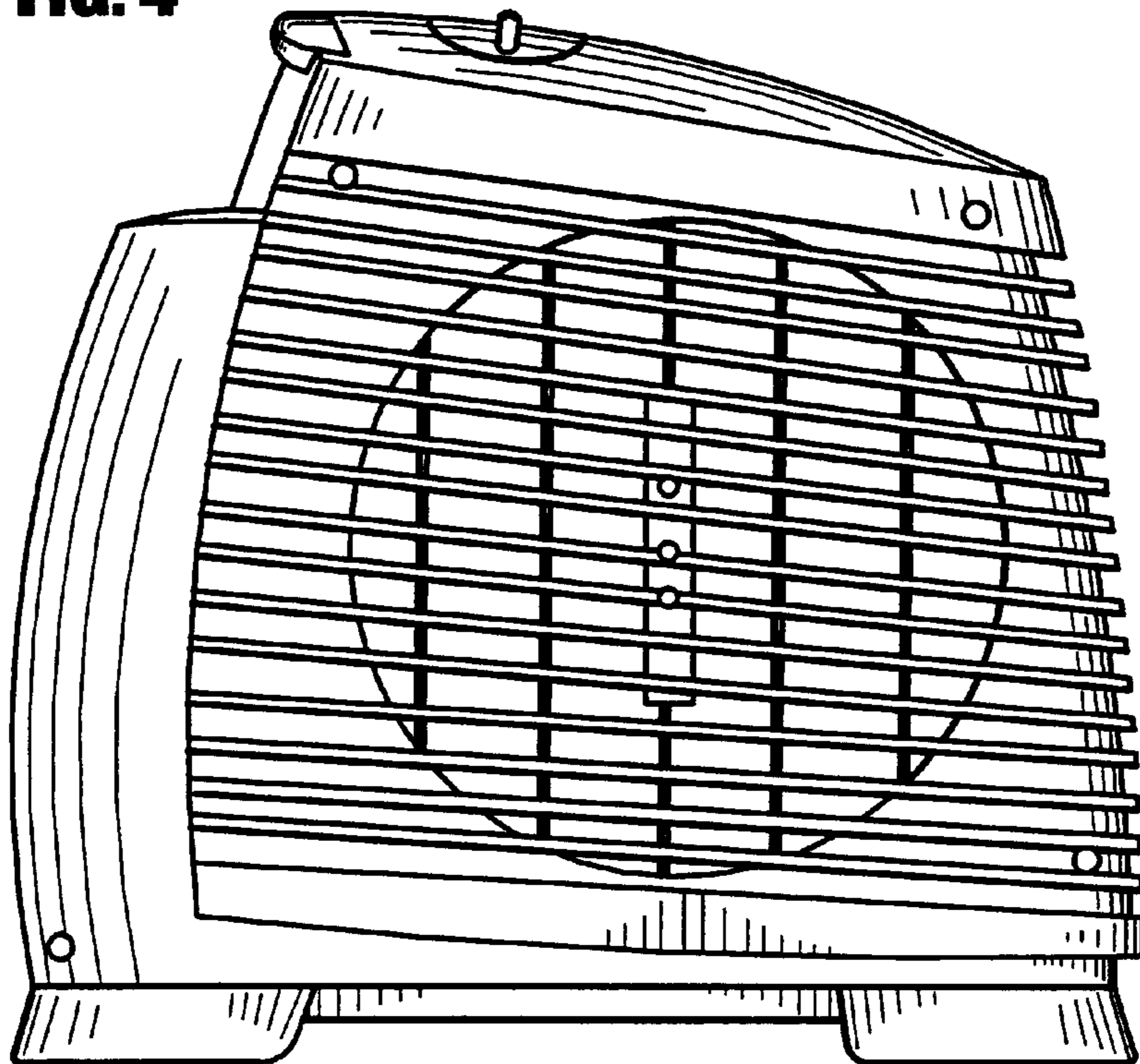


FIG. 5

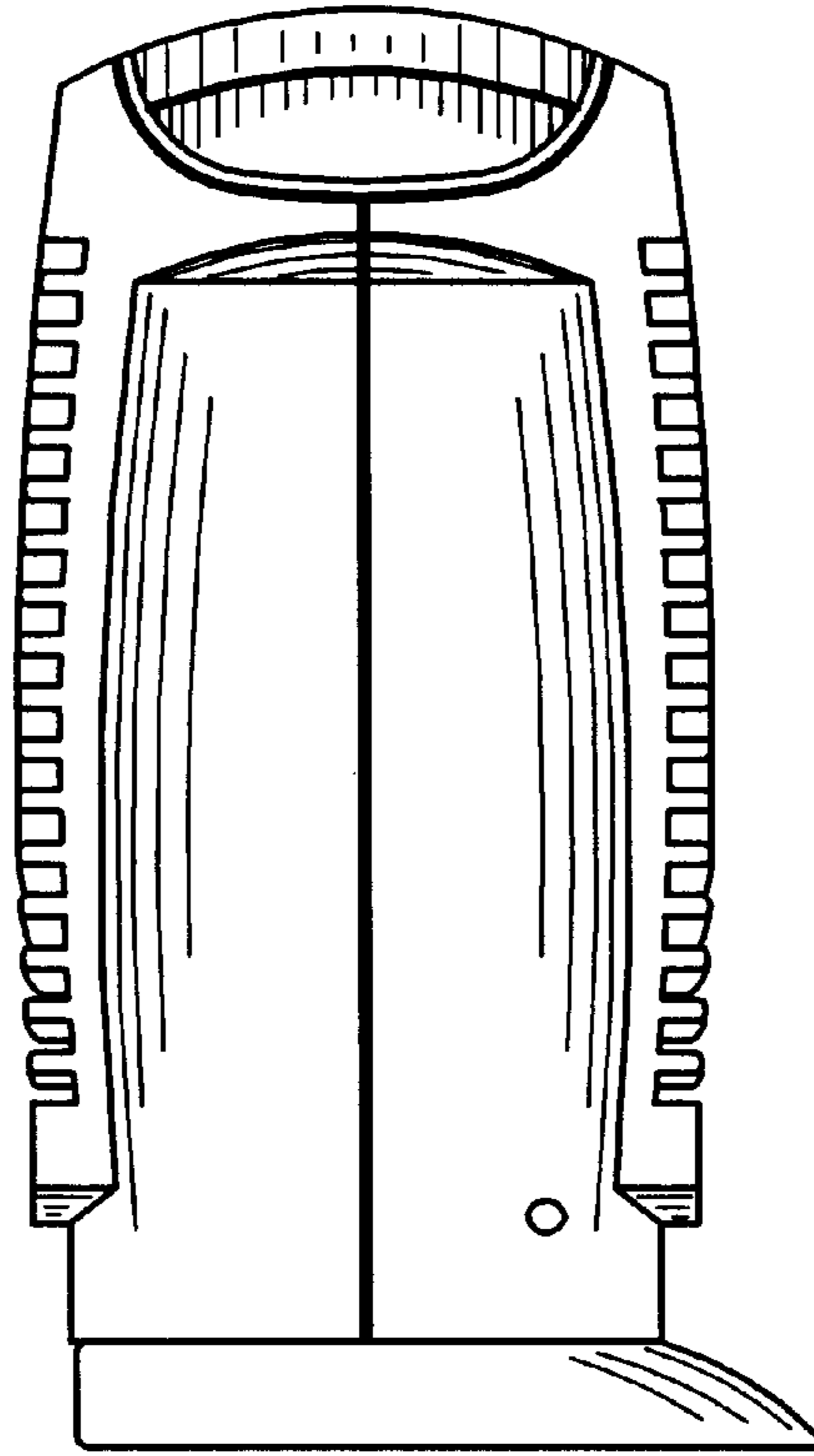


FIG. 6

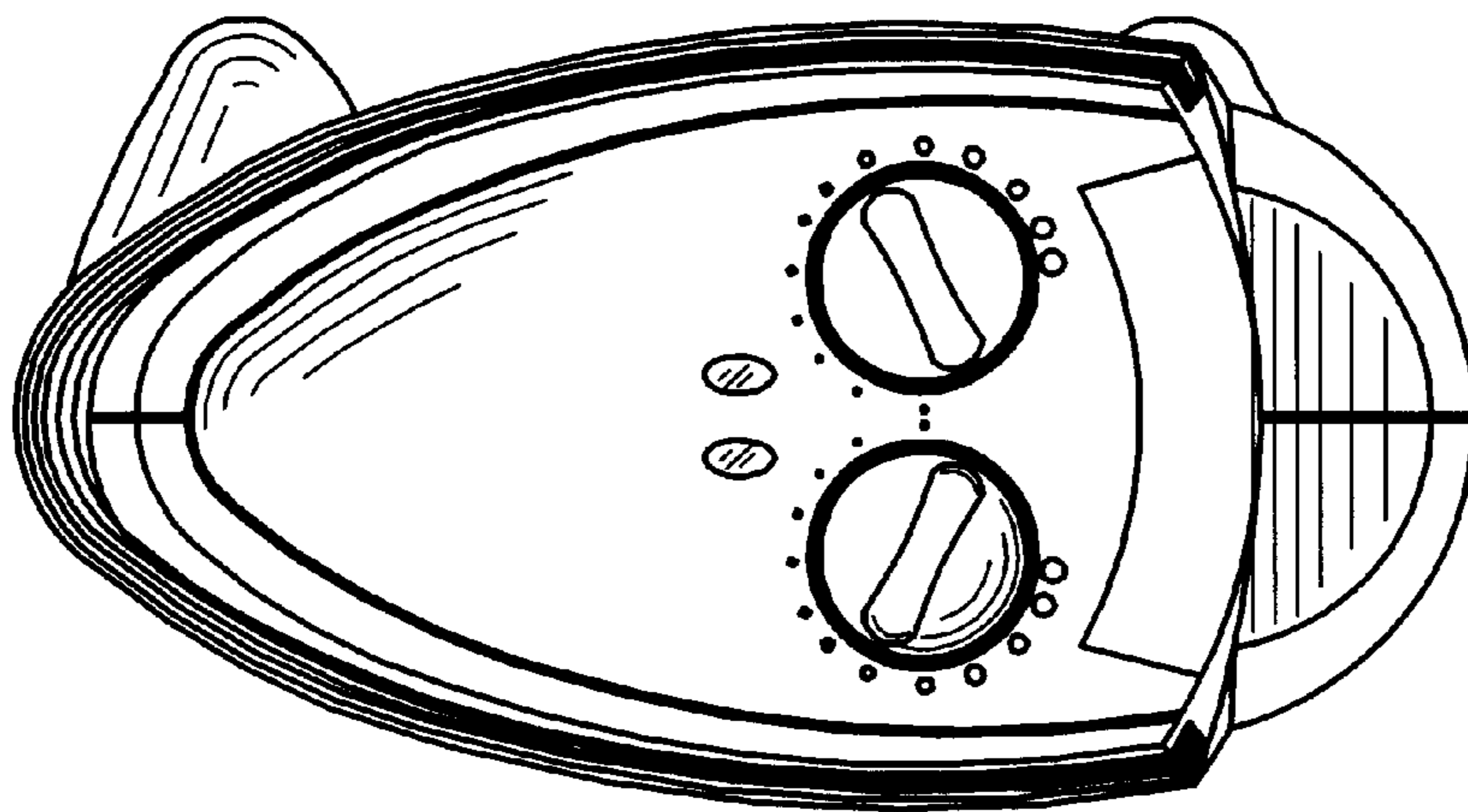


FIG. 7

